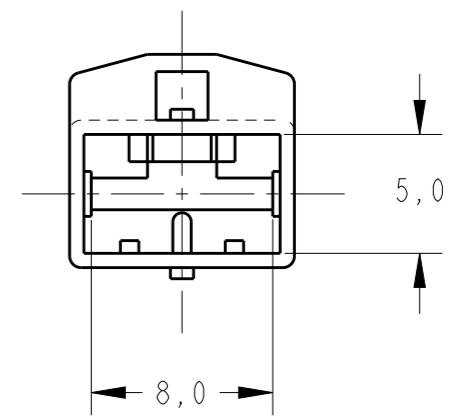
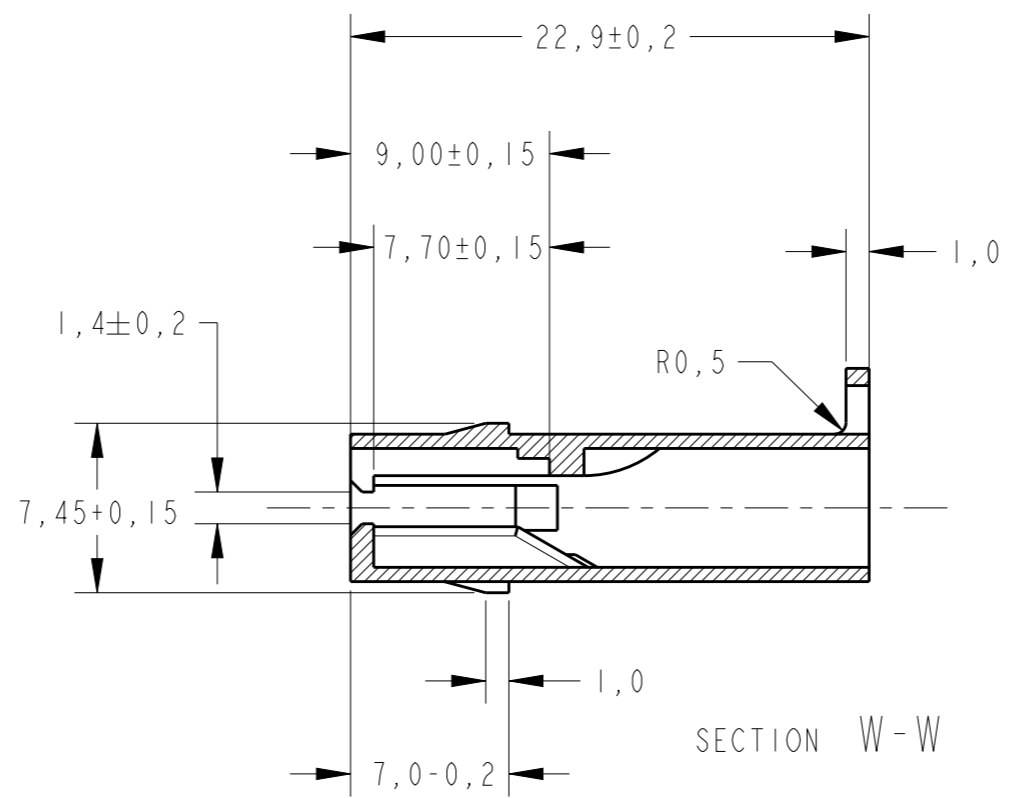
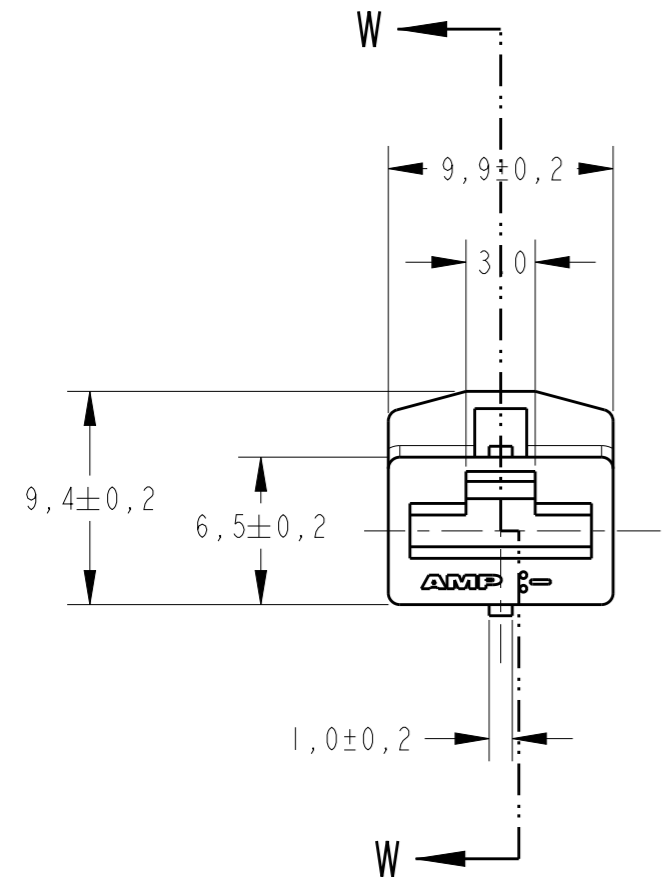


THIS DRAWING IS UNPUBLISHED. RELEASED FOR PUBLICATION  
 © COPYRIGHT 19 BY - ALL RIGHTS RESERVED.

**creo**  
 Creo Parametric 2.0  
**DO NOT REVISE EXCEPT BY CAD**

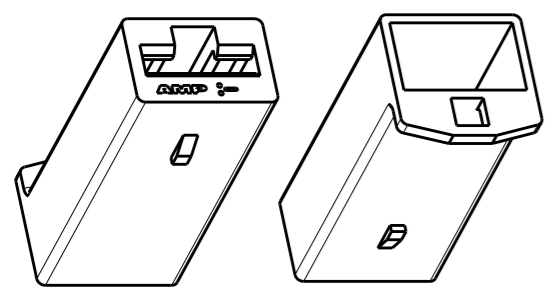
REVISIONS					
P	LTR	DESCRIPTION	DATE	DWN	APVD
	B2	REVISED BY ECO 16-006714	11MAY2016	HC	WLS

GRAVAÇÃO MARKING
LOGOTIPO AMP AMP LOGO
CÓDIGO PAÍS PRODUTOR MANUFACTURER COUNTRY CODE
NÚMERO CAVIDADE CAVITY NUMBER



1 - INTERCAMBIÁVEL COM PN 180905  
 - INTERCHANGEABLE WITH PN 180905

OBSOLETE	LARANJA/ORANGE			9
OBSOLETE	VIOLETA/VIOLET			8
OBSOLETE	CINZA/GRAY			7
OBSOLETE	MARROM/BROWN			6
OBSOLETE	PRETO/BLACK			5
OBSOLETE	AMARELO/YELLOW			4
OBSOLETE	AZUL/BLUE			3
OBSOLETE	VERDE/GREEN			2
—	VERMELHO/RED			-1
—	NATURAL			-0
RAW MAT'L NO	FINISH	MATERIAL	P.A 6.6	880305 -0



PERSPECTIVE VIEW  
SCALE 2:1

THIS DRAWING IS A CONTROLLED DOCUMENT.		DWN N.C.LAPRESA 09DEC99	<b>STE</b> TE Connectivity	
		CHK P.L.FARIA 09DEC99		
DIMENSIONS: mm		APVD E.ALEXANDRONI 09DEC99	NAME -	
TOLERANCES UNLESS OTHERWISE SPECIFIED: 0 PLC ±0,5 1 PLC ±0,5 2 PLC ±0,5 3 PLC ±0,5 4 PLC ±0,5 ANGLES ±1°		PRODUCT SPEC -	HOUSING, SINGLE CIRCUIT .250S.RCPT	
MATERIAL SEE TABLE		APPLICATION SPEC -	SIZE A3	RESTRICTED TO -
FINISH SEE TABLE		WEIGHT -	CAGE CODE -	DRAWING NO C-880305
		Customer Drawing	SCALE 3:1	SHEET 1 OF 1
				REV B2

# Mouser Electronics

Authorized Distributor

Click to View Pricing, Inventory, Delivery & Lifecycle Information:

[TE Connectivity:](#)

[880305](#)