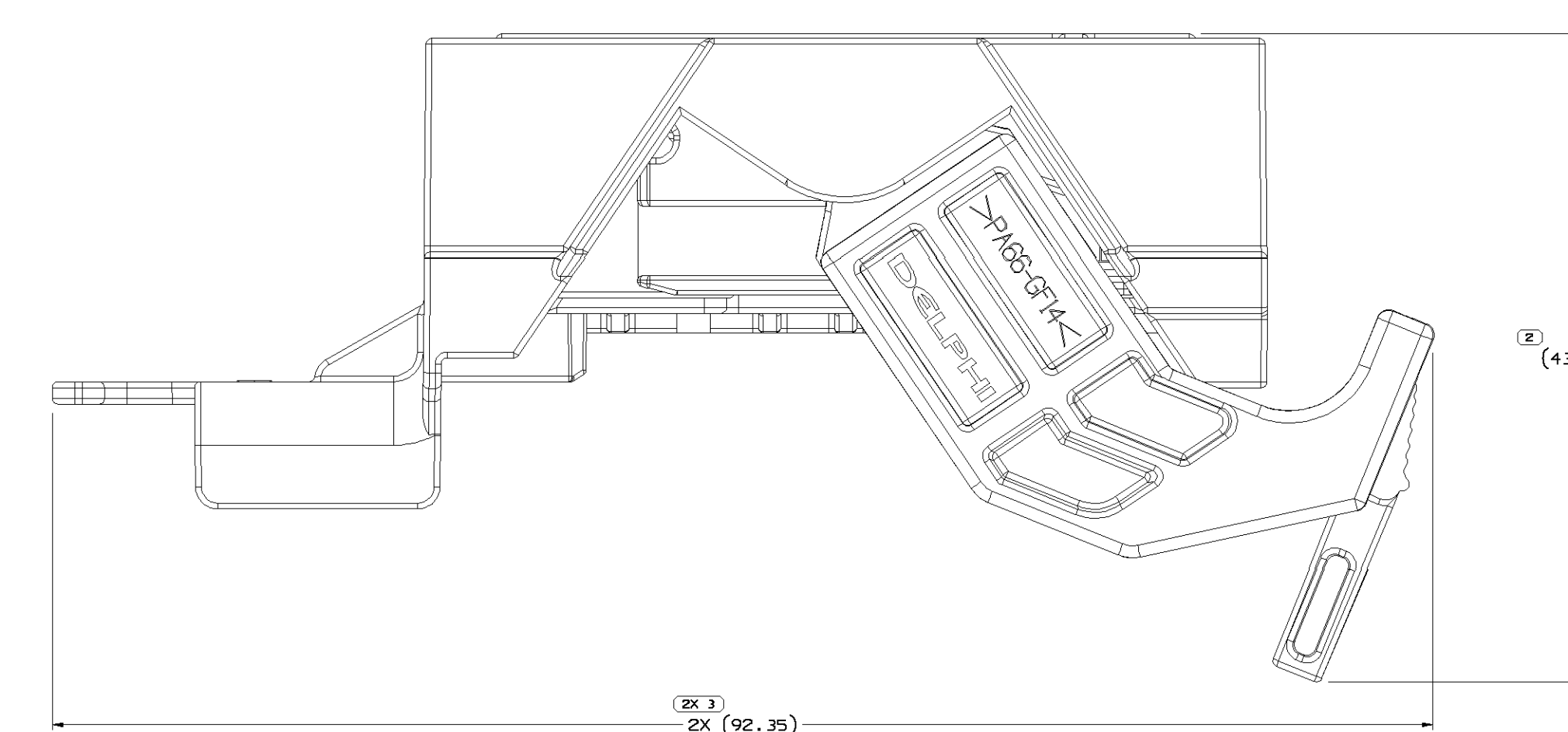
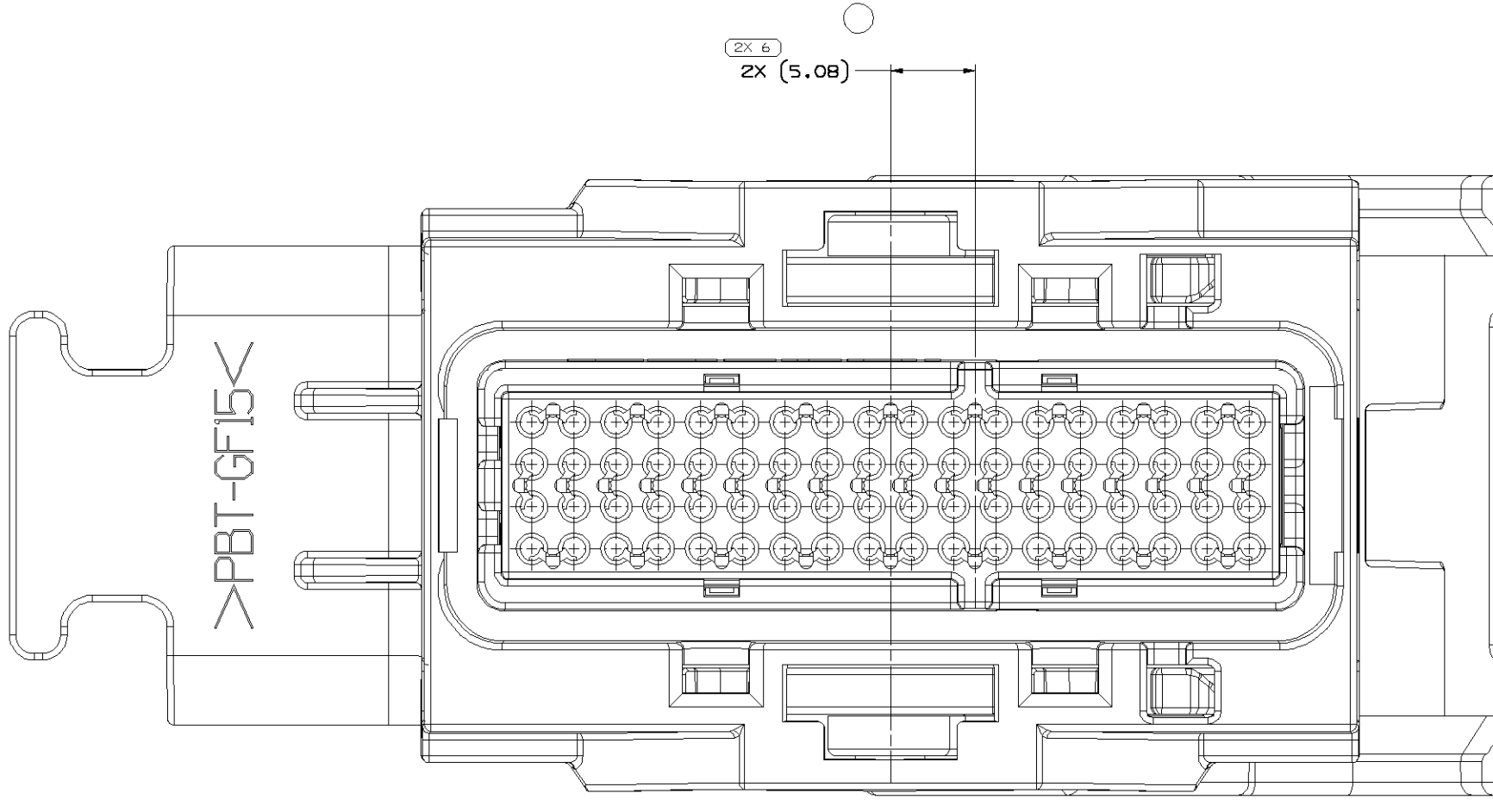
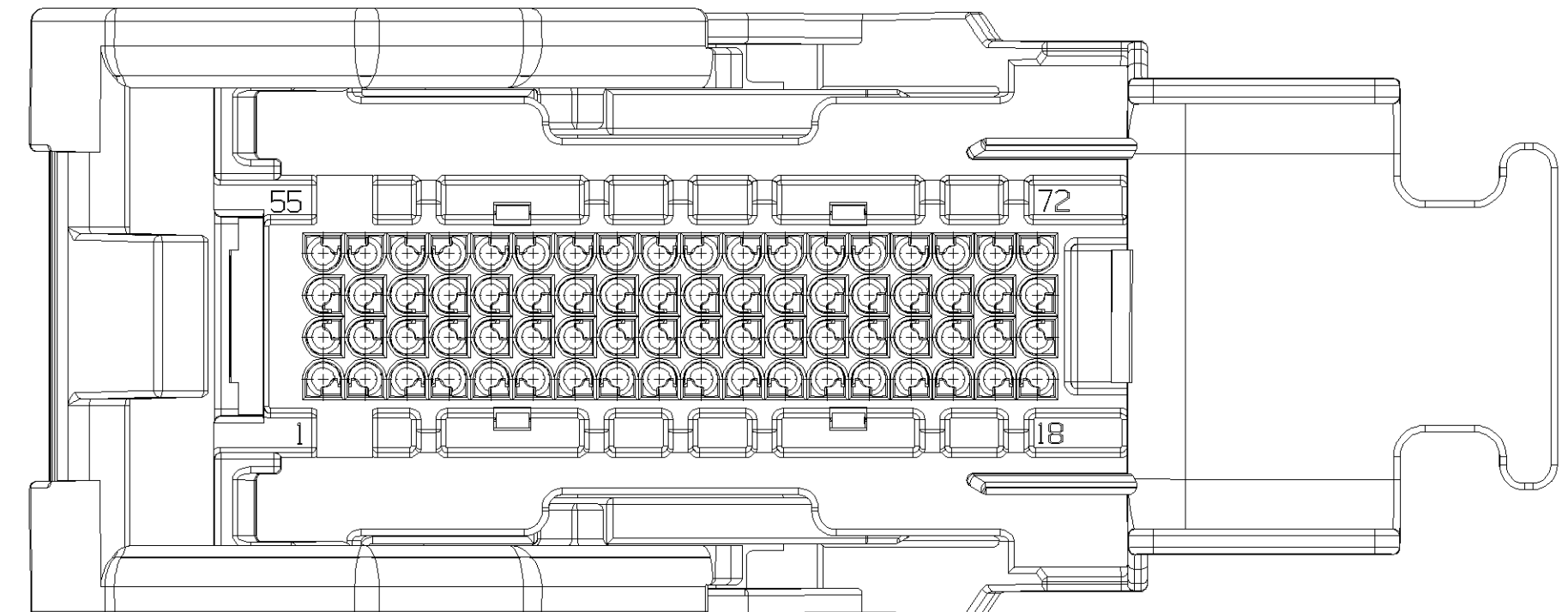
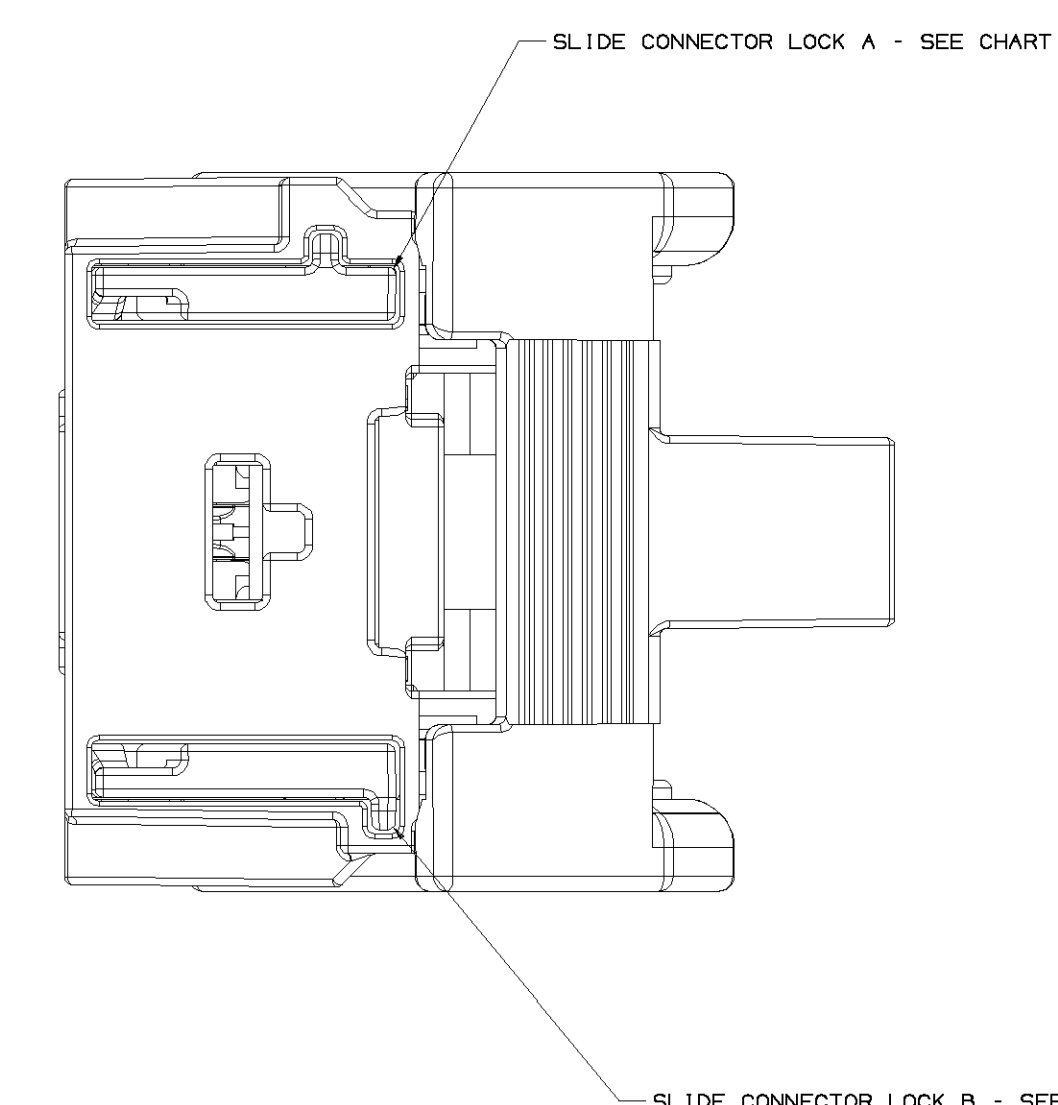
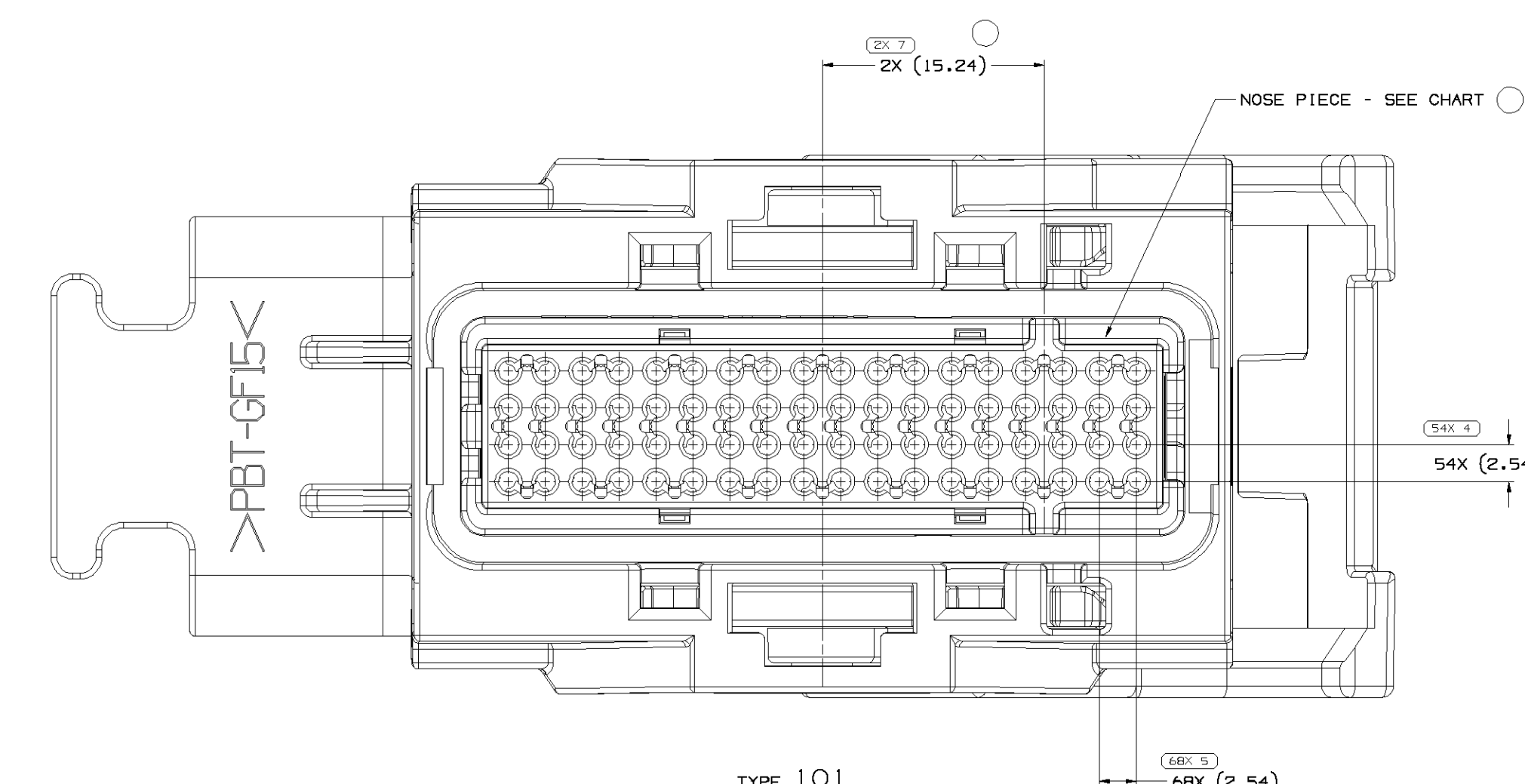
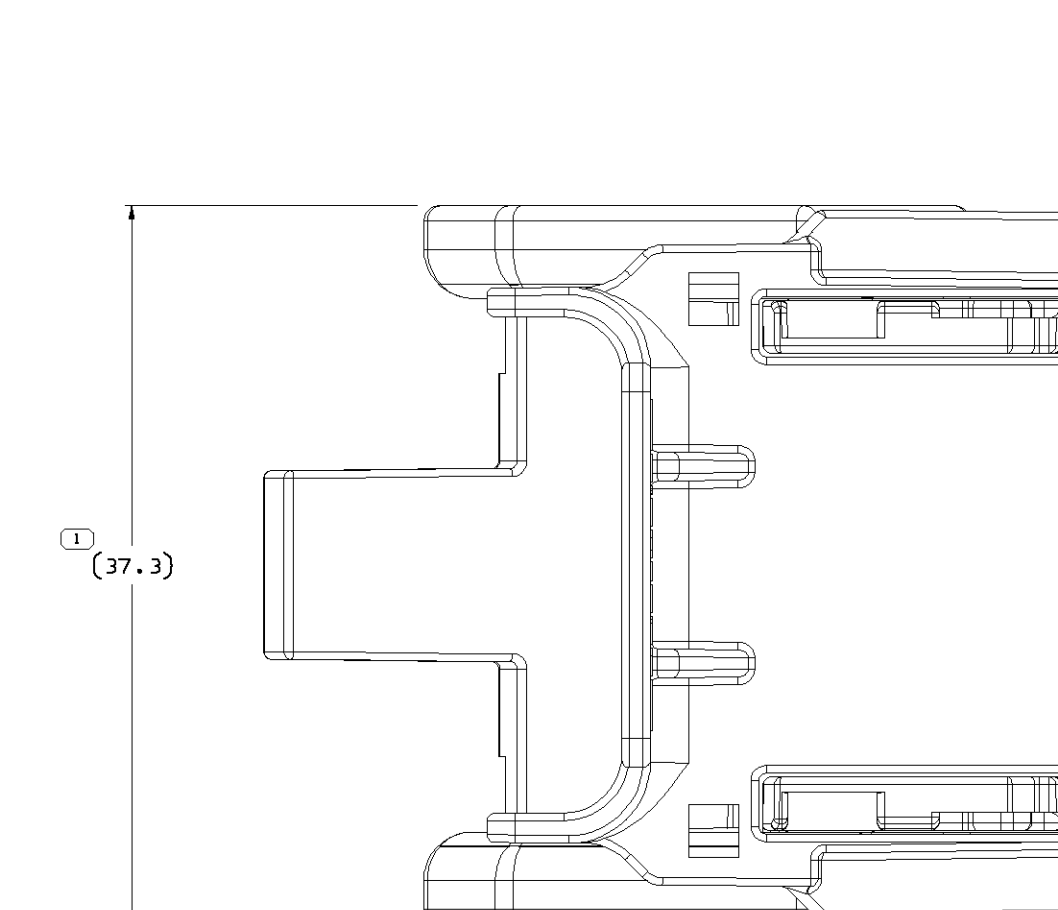
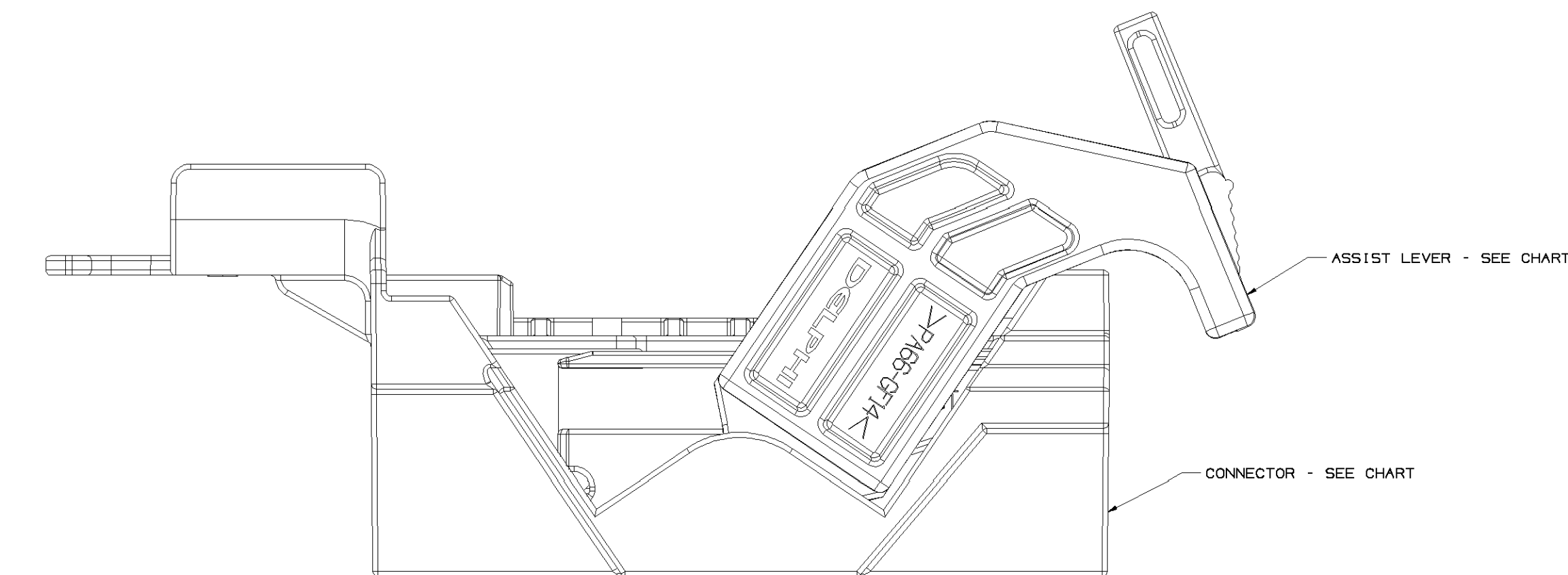
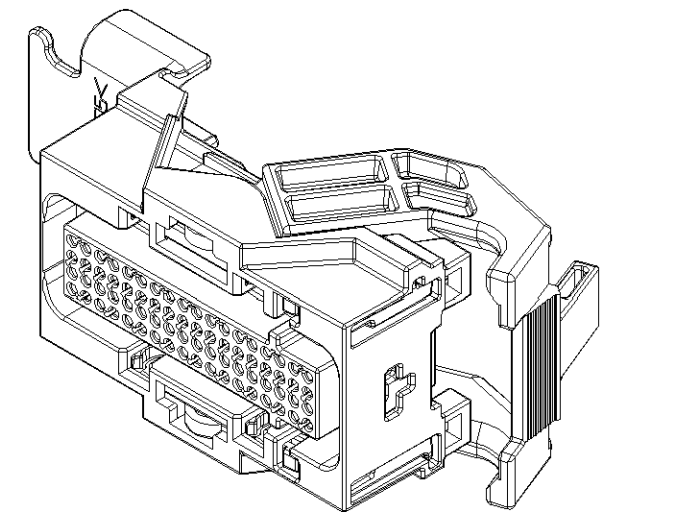


| SYMBOL DEFINITION | | MISSING SYMBOLS | | REVISION HISTORY | | AUTH | DATE |
|--|--|----------------------------------|-----|--------------------------|--|--------|------------|
| A DIMENSION WITHOUT AN INSPECTION REPORT SYMBOL DOES NOT REQUIRE INSPECTION. IT MAY BE CONTROLLED ON THE INDIVIDUAL COMPONENT DRAWING. | | TOTAL NO OF INSPECTIONS REQUIRED | 130 | NO MISSING SYMBOL NUMBER | | 231543 | MMH/MW/MB |
| LAST NO. USED | | | 7 | | | 265753 | ESH/JAM/MB |



NOTES

- UNLESS OTHERWISE SPECIFIED AND/OR INDICATED: DIMENSIONS ARE TO FACE OF VIEW SHOWN AND AUTOMATICALLY ROUNDED BY COMPUTER FOR INSPECTION (SEE MATH MODEL FOR PRECISE DIMENSIONS). FOR ALL OTHER DIMENSIONS NOT SHOWN BUT REQUIRED FOR TOOL BUILD, SEE MATH MODEL FOR PRECISE TOOL PATH DATA.
- SEALING CODE 0 - UNSEALED
- REFERENCE MATING COMPONENTS OR EQUIVALENT: SHROUD - SEE CHART
- ONLY TIN PLATED FEMALE TERMINALS SHOULD BE USED WHEN MATING TO TIN PLATED MALE PINS. GOLD PLATED FEMALE TERMINALS SHOULD ONLY BE USED WHEN MATING TO GOLD PLATED MALE PINS.
- ASSIST LEVER MUST BE IN PRE-STAGE LOCKED POSITION AS SHOWN. NOSE PIECE MUST BE IN FULLY LOCKED POSITION AS SHOWN.
- THIS PART ACCEPTS THE FOLLOWING MANDATORY COMPONENTS:
 - TERMINAL 15394147
 - MAX INSULATION CRIMP MUST BE LESS THAN 2 HIGH AND 2 WIDE.
 - SECONDARY TERMINAL LOCK 15393131
 - WIRE DRESS COVER 15393126
 - WIRE TIE M1842 (MAX WIDTH 4.8)



TYPE 101
VIEW SCALE DOES NOT REFLECT ACTUAL PART SIZE

TYPE 102
SAME AS TYPE 101 EXCEPT AS SHOWN

15449821

| PART NO | REV | MP | TYPE | STATUS | NOSE PIECE | CONNECTOR | ASSIST LEVER | SLIDE LOCK A | SLIDE LOCK B | MATING CONNECTOR SHROUD DETAIL |
|----------|-----|----|------|--------|------------|-----------|--------------|--------------|--------------|--------------------------------|
| 15393122 | 02 | - | 102 | - | 15423640 | 15393123 | 15401488 | 15393130 | 15393129 | 15423165 |
| 15393121 | 02 | - | 101 | - | 15423639 | 15393123 | 15401488 | 15393130 | 15393129 | 15423165 |

| | | | | | |
|--------|--------|----------------------------------|--------|---------------|--------|
| DELPHI | | DELPHI PACKAGED ELECTRIC SYSTEMS | | WARREN, MI | |
| DATE | DATE | BY | DATE | BY | DATE |
| 090002 | 090002 | HOLLY MECKER | 090002 | HOLLY MECKER | 090002 |
| 090002 | 090002 | BRIAN DEISLER | 090002 | BRIAN DEISLER | 090002 |

UNLESS OTHERWISE SPECIFIED, DIMENSIONS ARE IN MILLIMETERS AND DECIMALS THEREOF. DIMENSIONS IN PARENTHESES ARE IN INCHES AND DECIMALS THEREOF. DIMENSIONS IN SQUARE BRACKETS ARE IN MILLIMETERS AND DECIMALS THEREOF. DIMENSIONS IN PARENTHESES ARE IN INCHES AND DECIMALS THEREOF. DIMENSIONS IN PARENTHESES ARE IN INCHES AND DECIMALS THEREOF. DIMENSIONS IN PARENTHESES ARE IN INCHES AND DECIMALS THEREOF.

THIRD ANGLE PROJECTION

DO NOT SCALE

USE MATH DATA

DATE: 15449821
SCALE: 1:1
SHEET: 511 OF 210

15804421

Mouser Electronics

Authorized Distributor

Click to View Pricing, Inventory, Delivery & Lifecycle Information:

[Aptiv:](#)

[15393121](#) [15393122](#)