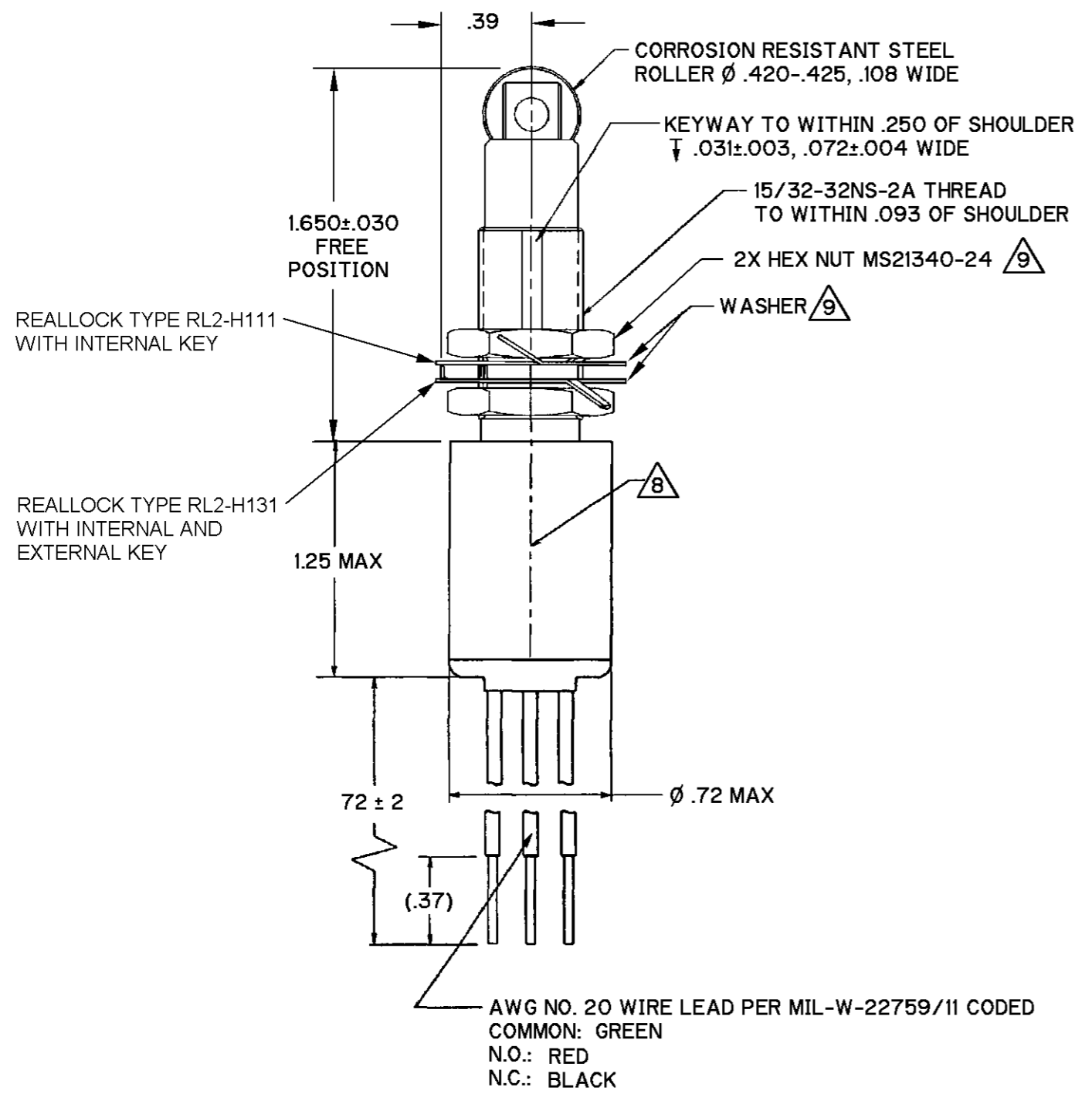


CATALOG LISTING
HS-1066
PAGE 1 OF 1
REPLACES
RELEASE NO. 201635
ISSUE
5
CHECK
26NOV07
CHECK
26NOV07
CHECK
6 JUL 00
CHECK
6 JUL 00
DRAWN
C S L

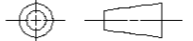


NOTES

- 1 - THE SWITCH WILL SELF ADJUST TO THE PROPER RELATIONSHIP WITH THE ACTUATOR UPON COMPLETION OF THE FIRST CYCLE. THIS RELATIONSHIP WILL REMAIN CONSTANT UNTIL THE ACTUATOR HAS A GROSS CHANGE IN DISPLACEMENT. THE SWITCH MAY BE REINSTALLED TO THE NEW OR OLD ACTUATOR DISPLACEMENT AND ONCE AGAIN IT WILL SELF ADJUST TO THE PROPER RELATIONSHIP
- 2 - CORROSION RESISTANT STEEL ENCLOSURE, BUSHING AND PLUNGER
- 3 - SWITCH SEALED PER MIL-PRF-8805 SYMBOL 4
- 4 - SHOCK PER MIL-PRF-8805 SYMBOL M
- 5 - VIBRATION PER MIL-PRF-8805 GRADE 1
- 6 - MINIMUM MECHANICAL LIFE: 50,000 CYCLES
- 7 - MINIMUM ELECTRICAL LIFE: 25,000 CYCLES AT RATED LOAD
- 8 - CIRCUIT DIAGRAM, FED. MFG. CODE, CATALOG LISTING, DATE CODE AND CUSTOMER PART NO. N531-12395 PRINTED ON NAMEPLATE
- 9 - HARDWARE MAY BE PACKAGED UNASSEMBLED PER MIL-PRF-8805
- 10 - INITIAL OPERATION OF THE SWITCH WILL OCCUR WITHIN THE PRETRAVEL SPECIFICATION AND RELEASE PER THE CLICK DISTANCE SPECIFICATION. CLICK DISTANCE IS THE DISTANCE THE PLUNGER RETURNS FROM THE DOWNWARD STROKE TO THE POINT OF CIRCUIT TRANSFER
- 11 - INSTALLATION OF THE SWITCH SHOULD DEPRESS THE PLUNGER A MINIMUM OF THE SUM OF THE PRETRAVEL AND THE CLICK DISTANCE. IF THE PLUNGER TRAVEL IS LESS THAN THIS SUM, THE CLICK DISTANCE WILL BE EQUAL TO THE PLUNGER TRAVEL MINUS THE PRETRAVEL MINUS APPROXIMATELY .010 INCHES

THIS DRAWING COVERS A PROPRIETARY ITEM AND IS THE PROPERTY OF MICRO SWITCH, A DIVISION OF HONEYWELL. THIS DRAWING IS NOT TO BE COPIED OR USED WITHOUT THE APPROVAL OF MICRO SWITCH

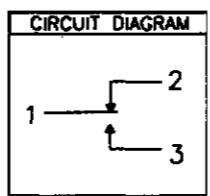
THIRD ANGLE PROJECTION



CHARACTERISTICS	
PRETRAVEL-----	.040 MAX
OPERATING FORCE-----	3-17 LBS
TOTAL TRAVEL-----	.300 MIN
CLICK DISTANCE-----	.020-.050
RELEASE FORCE-----	2 LB MIN
ACTUATOR FORCE-----	17 LB MAX

ELECTRICAL DATA		
CONTACT ARRANGEMENT		
SPDT		
(SILVER CONTACTS)		
LOAD (AMPS)	28 VDC	
	SEA LEVEL	50,000 FT
RES	7	4
IND	4	2.5

SCALE	NONE
DO NOT SCALE PRINT	
UNLESS OTHERWISE SPECIFIED TOLERANCES ARE	
ONE PLACE	(.0) ±.030
TWO PLACE	(.00) ±.015
THREE PLACE	(.000) ±.005
ANGLES	± 4°
WEIGHT	



Mouser Electronics

Authorized Distributor

Click to View Pricing, Inventory, Delivery & Lifecycle Information:

[Honeywell:](#)

[HS-1066](#)