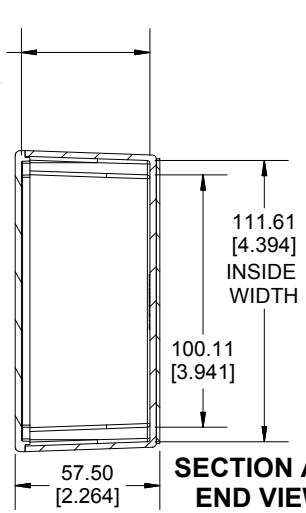
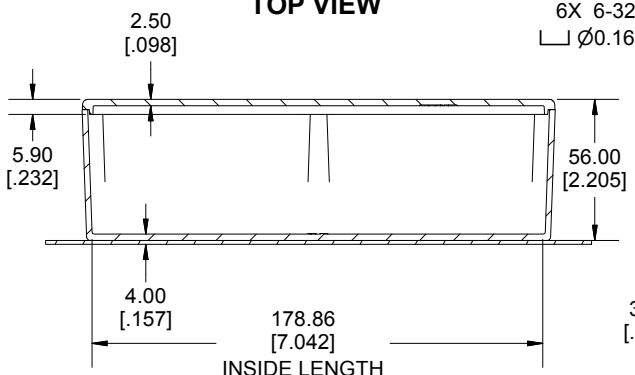
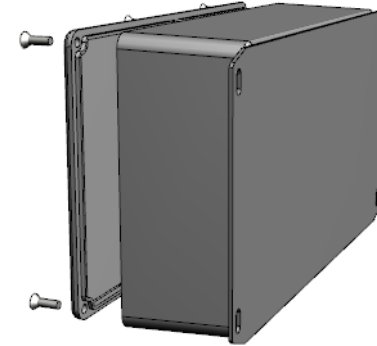


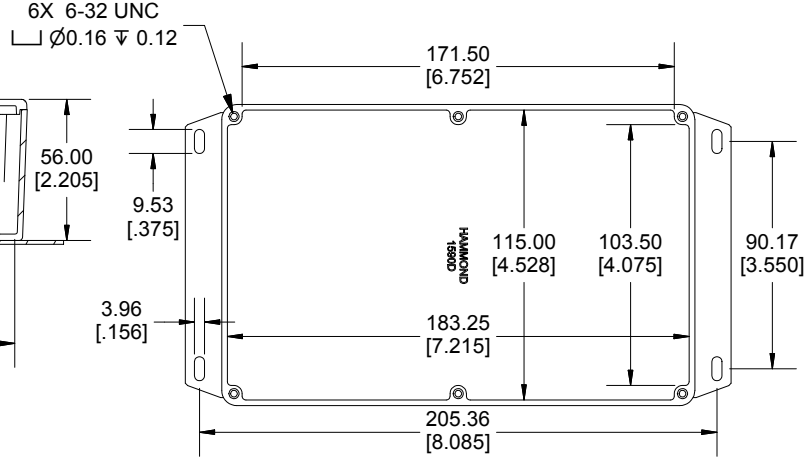
**TOP VIEW**



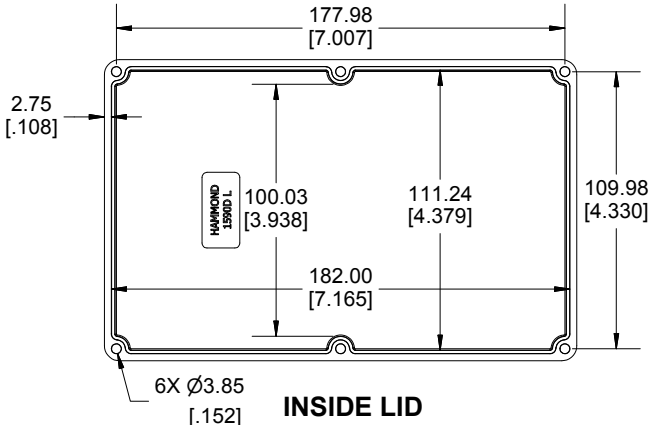
**SECTION A-A  
END VIEW**



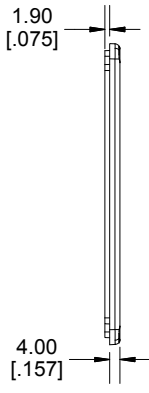
**SECTION B-B  
SIDE VIEW**



**INSIDE BOX**



**INSIDE LID**



6X 6-32 UNC  
└─┬─┘ Ø0.16 ▽ 0.12

Enclosures can be Factory Modified (Milling, Drilling, Printing etc.)  
Contact Factory (modshop@hammondmfg.com) for quotes  
Solid models of this enclosure available in STEP or IGES.  
(Part number and text placement/orientation on our products are subject to change,  
we do not recommend using them as a locating reference for modification purposes)

**NOTE**  
Purchased assembly includes box, lid and 6 cover screws.  
Box and lid are made from Diecast Aluminum Alloy.  
Silicone Gasket supplied with liquid resistant enclosure.  
Bottom Flange is Welded.

**Recommended Torque : 50-55 cN.m [71-78 ozf.in]**  
**Recommended Torque with Gasket : 25-30 cN.m [36-43 ozf.in]**

<b>PART NUMBERS</b>	
<b>1590DF Enclosure</b>	
Natural Finish Enclosure	1590DF
Black Textured Enclosure	1590DFBK
<b>1590DF Liquid Resistant Enclosure (Silicone Gasket)</b>	
Natural Finish Enclosure	1590WDF
Black Textured Enclosure	1590WDFBK
<b>ACCESSORIES</b>	
<b>Liquid Resistant Cover Screws</b>	
Stainless Steel Cover Screws (Pkg 100) [6-32 x 1/2" With O-Ring]	1590WMS100
Black Stainless Steel Cover Screws (Pkg 100) [6-32 x 1/2" With O-Ring]	1590WMS100BK
<b>Standard Cover Screws</b>	
Plated Cover Screws (Pkg 100) [6-32 x 1/2"]	1590MS100
Black Cover Screws (Pkg 100) [6-32 x 1/2"]	1590MS100BK

Dimensions:  
mm  
[inches]

**HAMMOND  
MANUFACTURING®**

**1590DF**

www.hammondmfg.com