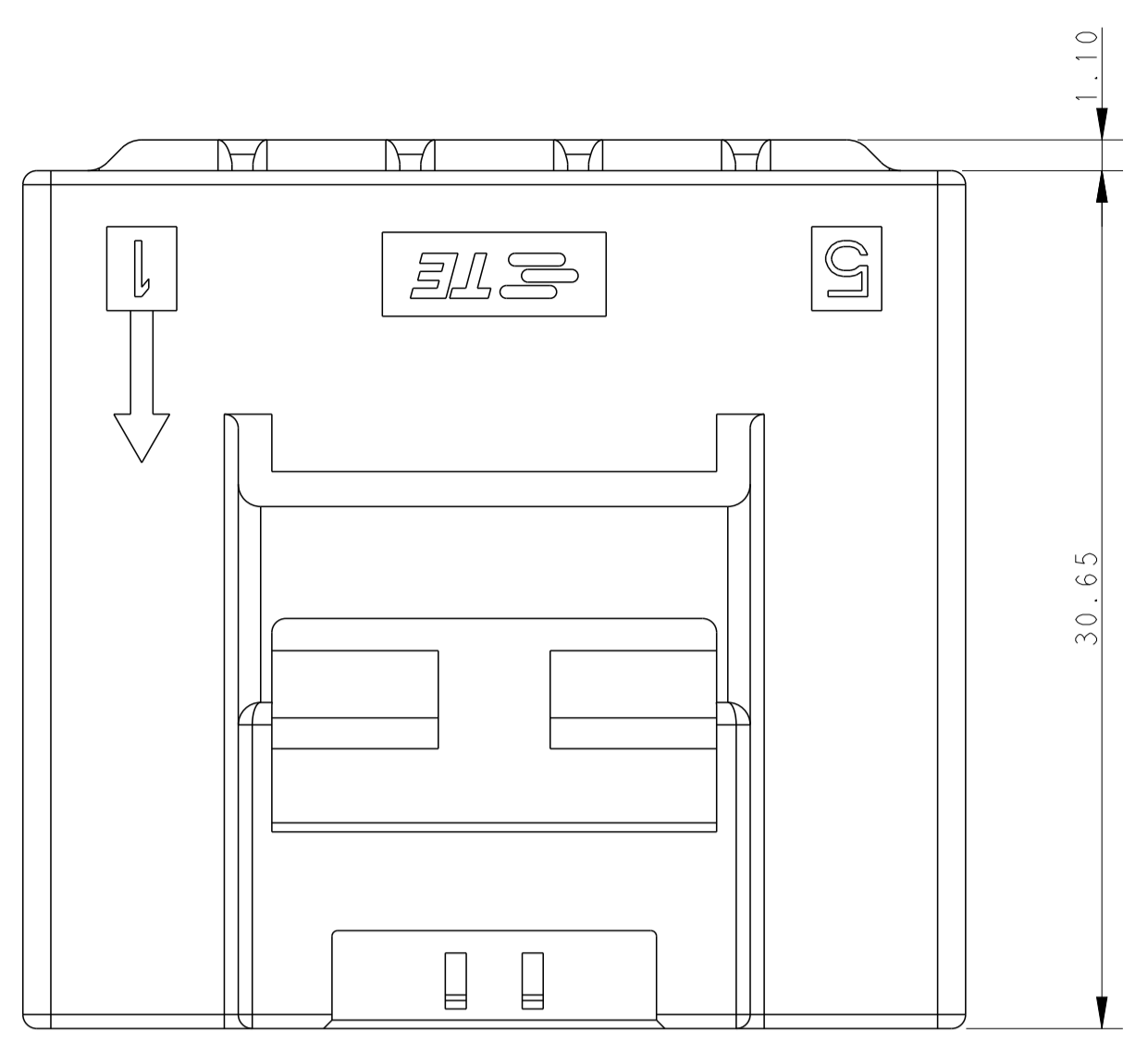
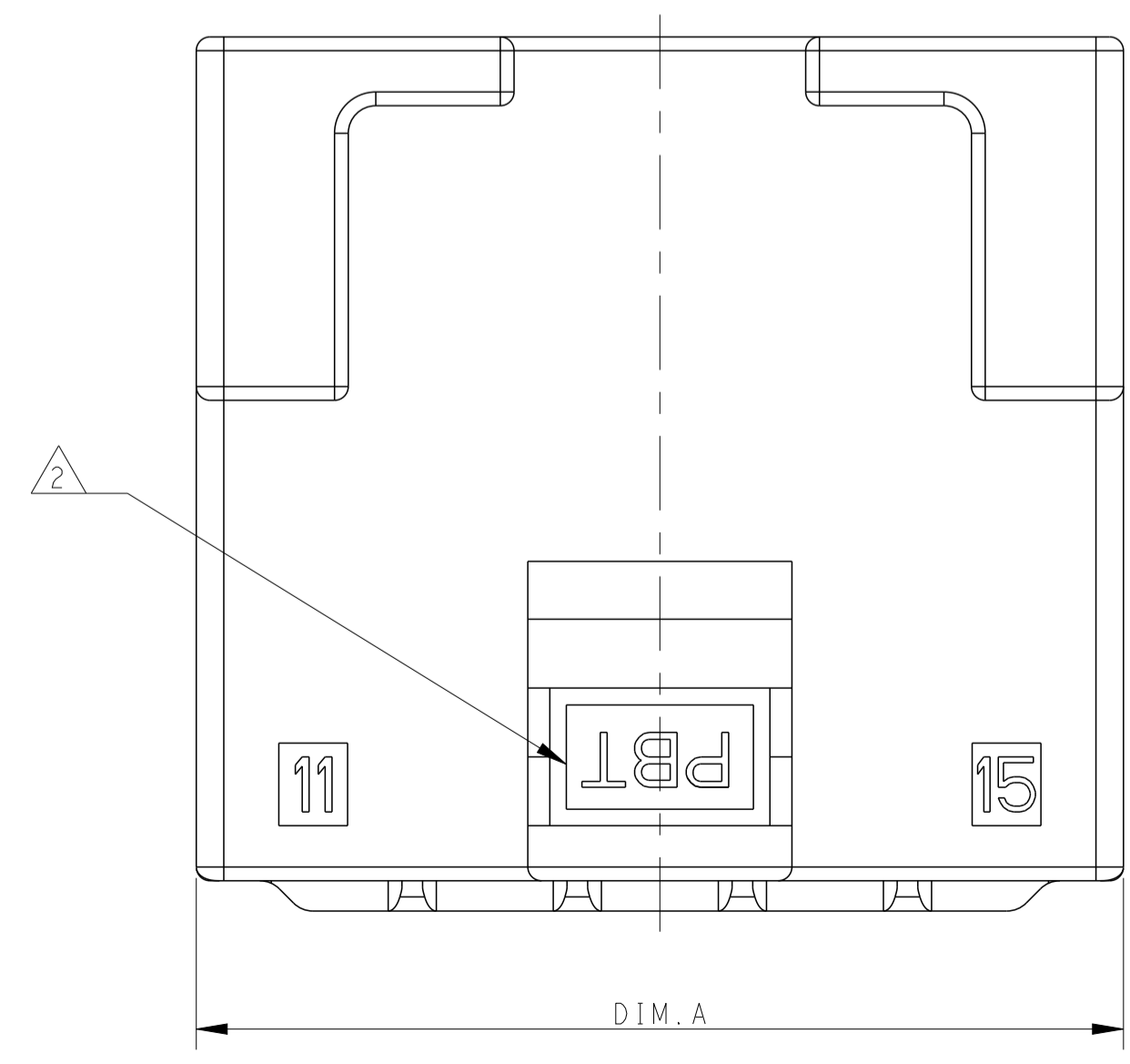
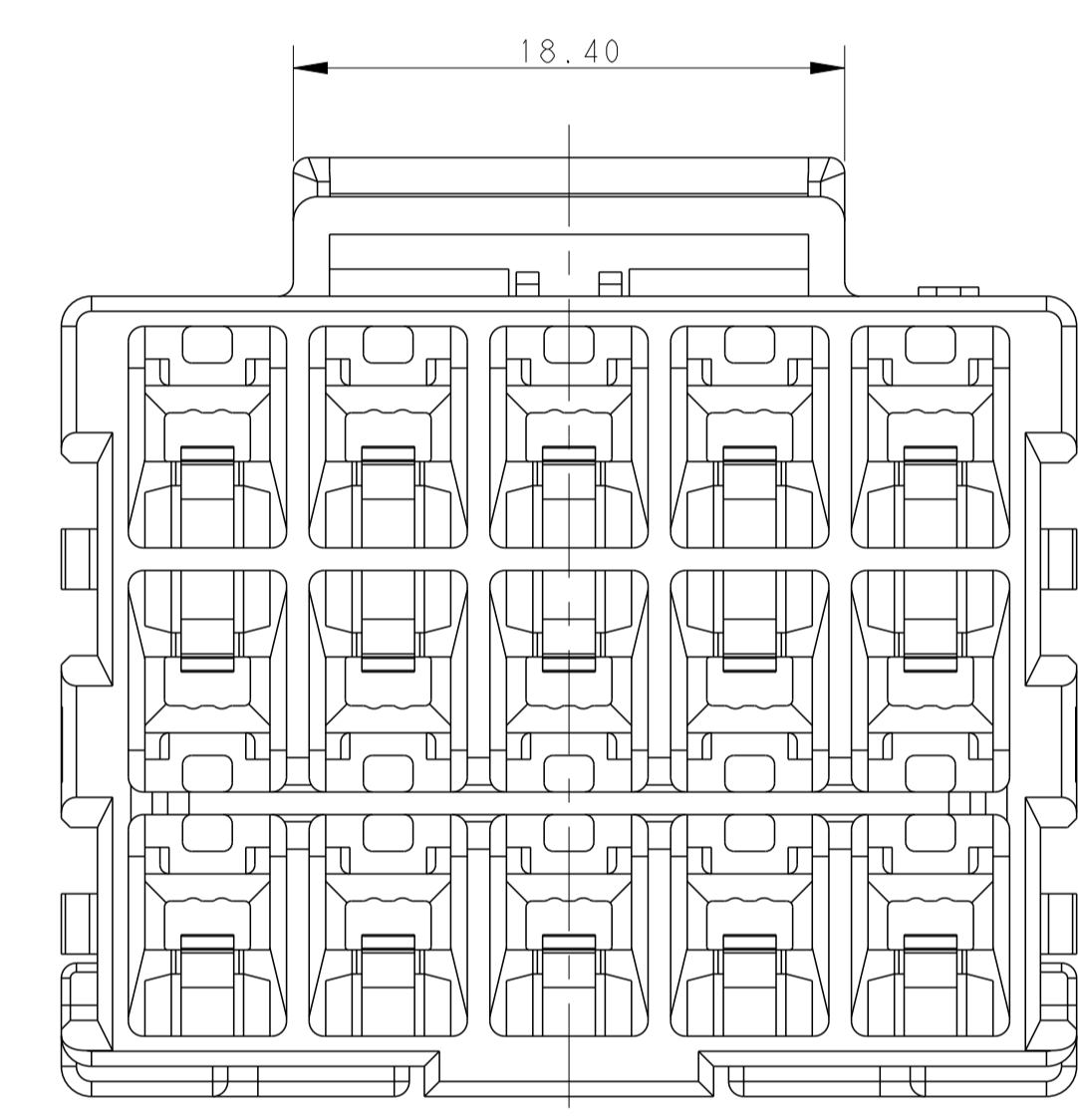
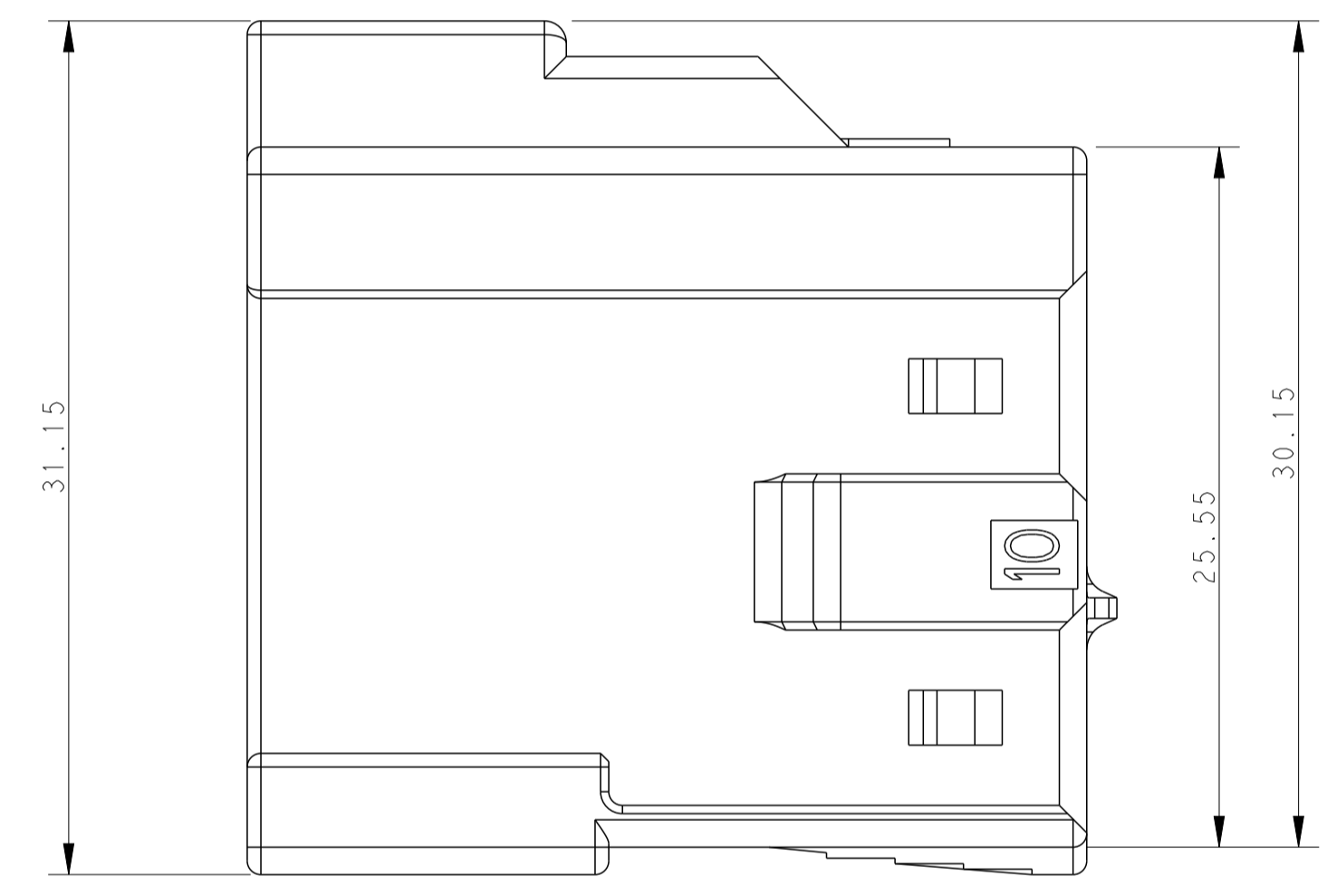
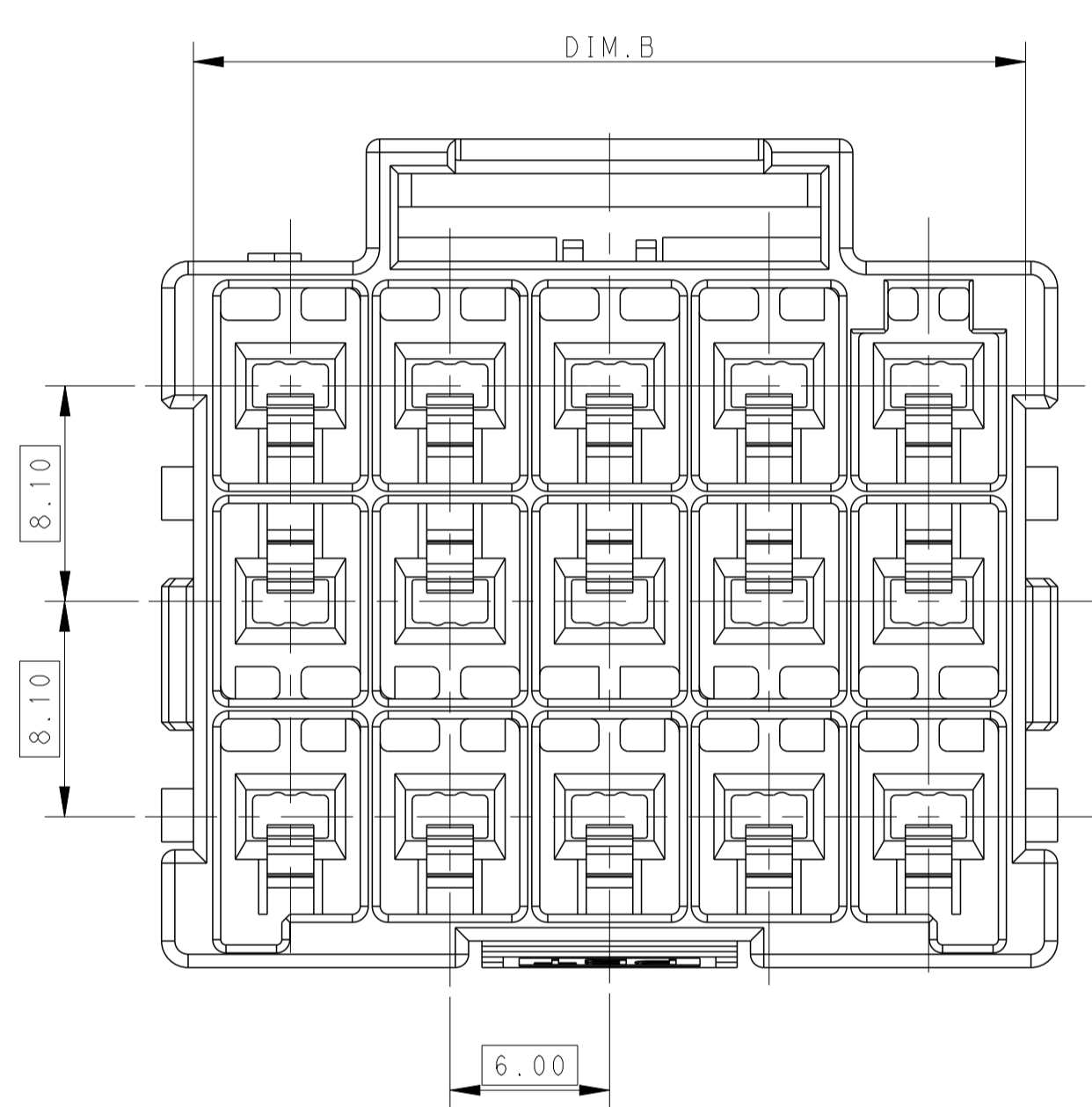


REVISIONS				
P	LTN	DESCRIPTION	DATE	APVD
C		REVISED PER ECR-16-003314	15JUL2016	BW GJ



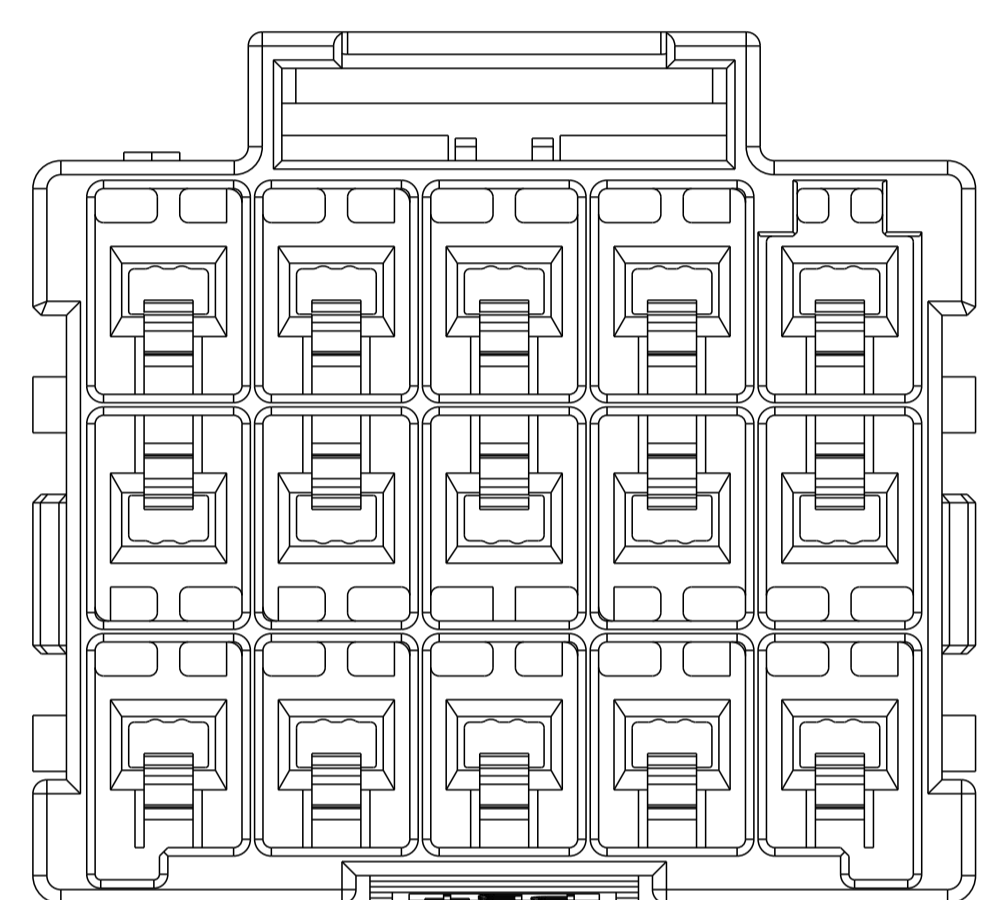
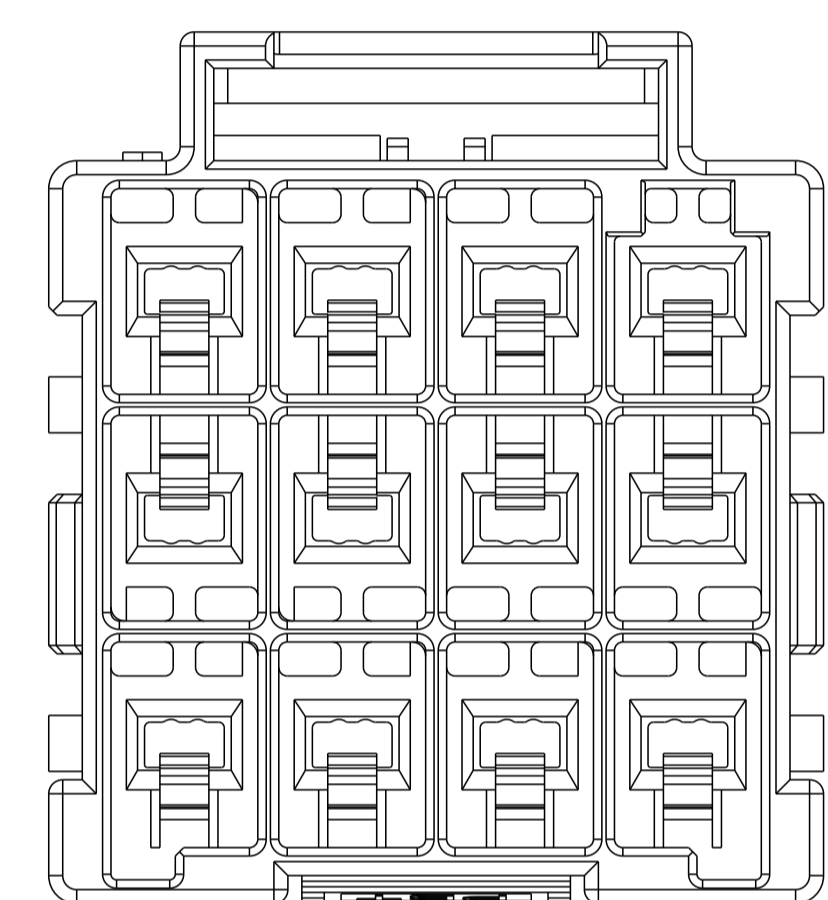
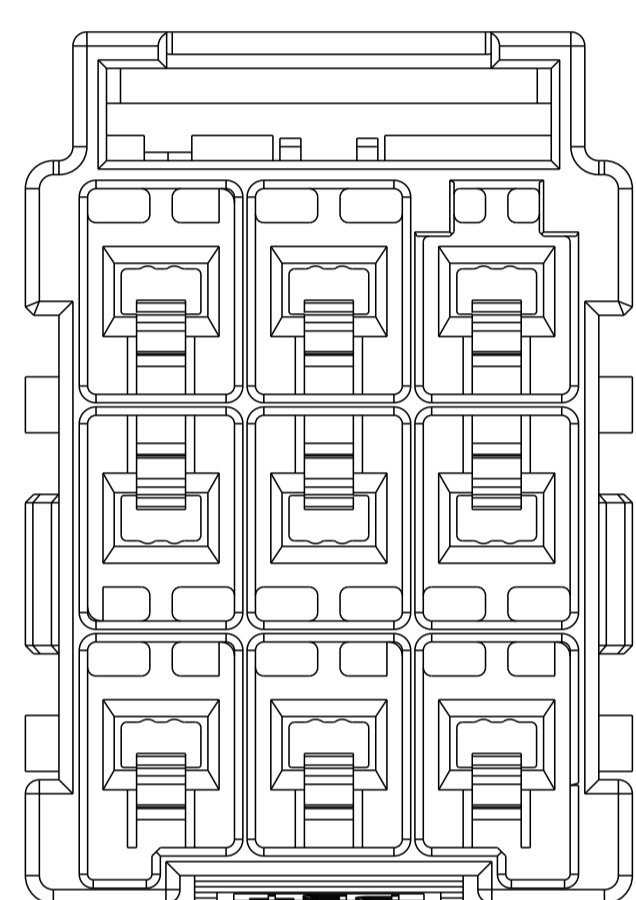
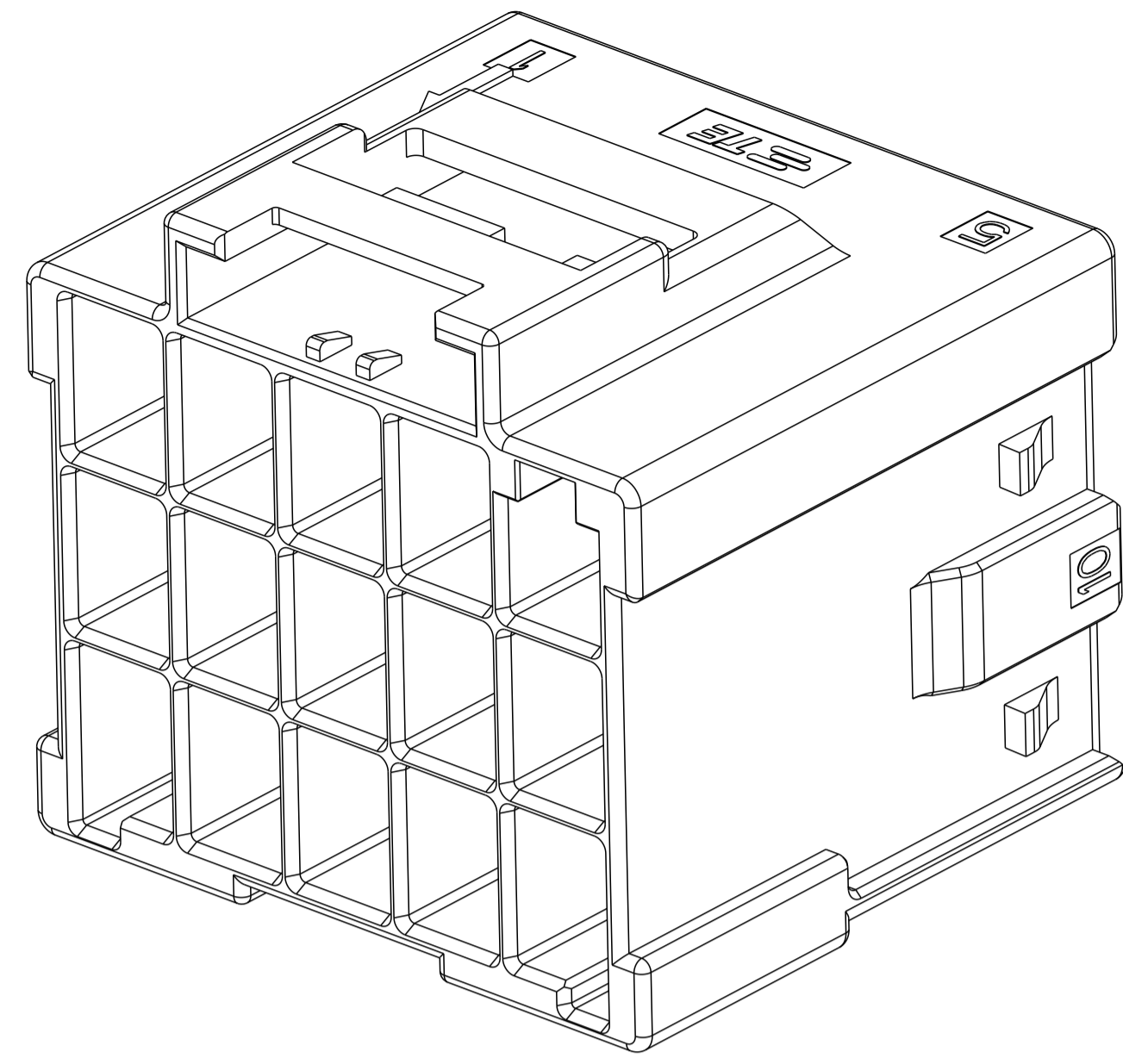
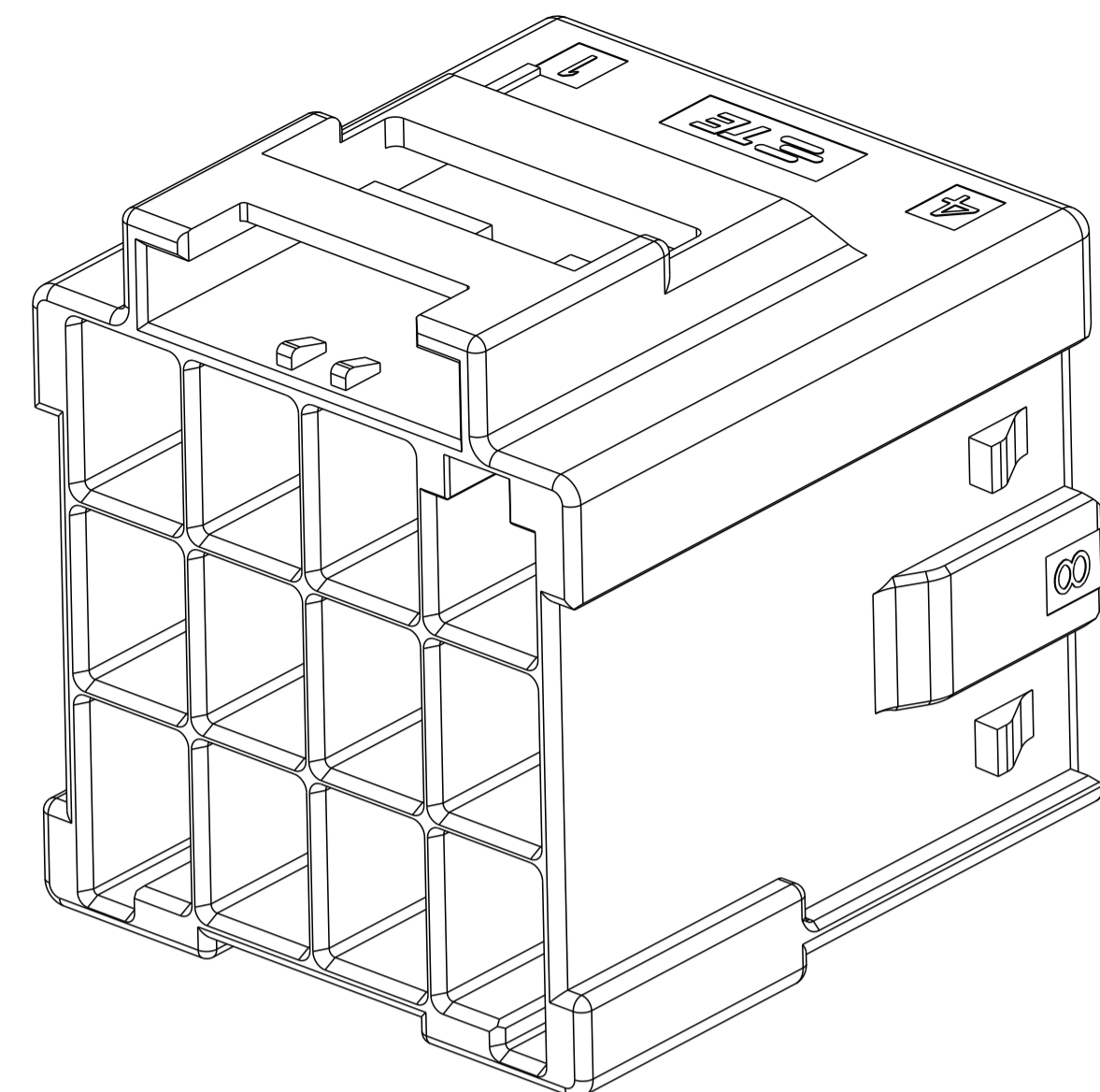
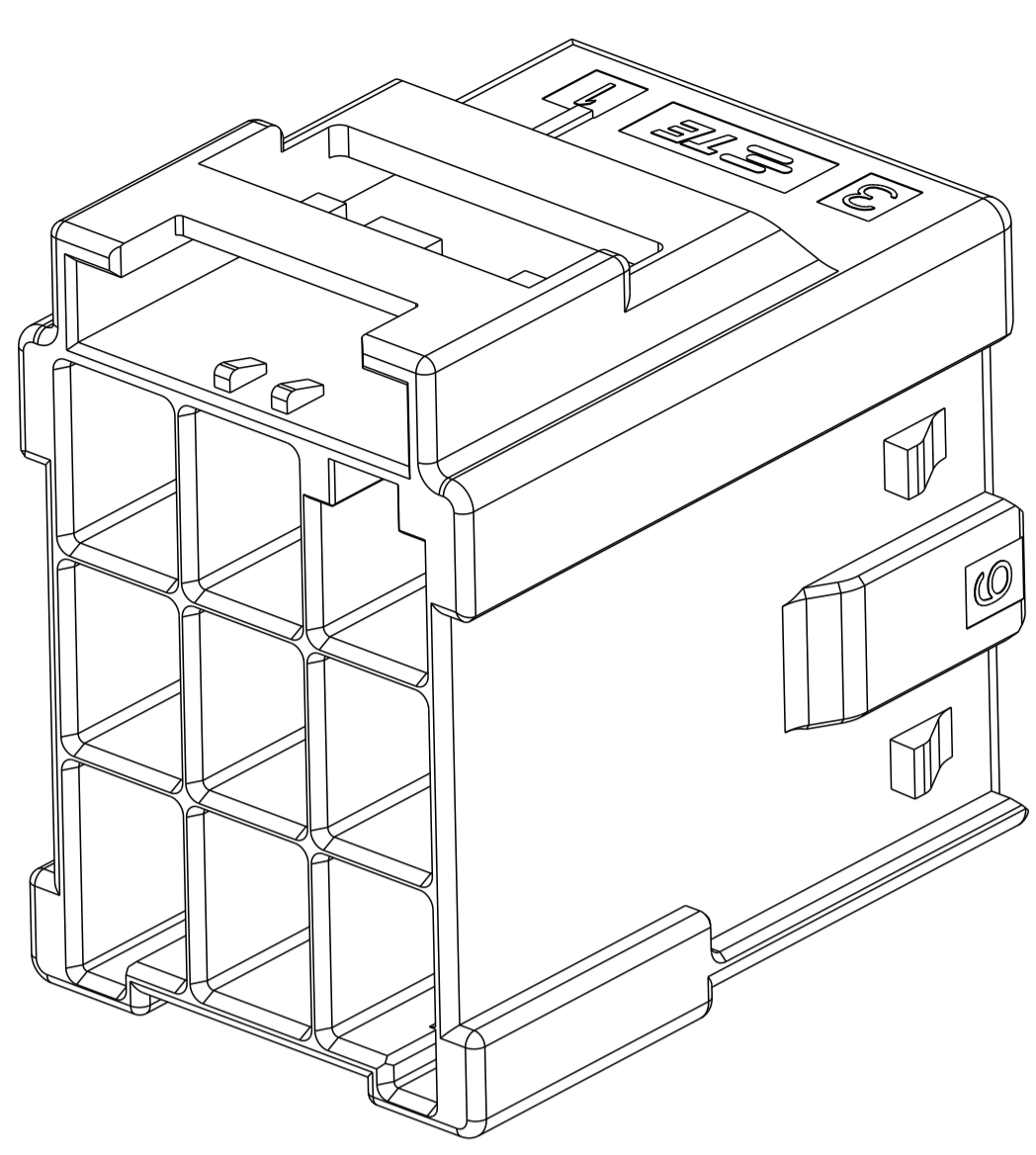
- 1 MATERIAL:
 LEVEL 1: PBT, STANDARD TEMPERATURE 105°C
 KEY A: NATURAL; KEY B: PURPLE; KEY C: BLUE; KEY D: YELLOW
 LEVEL 2: NYLON, HIGH TEMPERATURE 150°C
 KEY A: LIGHT GREY; KEY B: RED; KEY C: BLACK; KEY D: NATURAL
 - 2 MATERIAL MARK:
 LEVEL 1: PBT, LEVEL 2: HDT
 - 3 APPLICABLE CONTACT P/N
 TAB CONTACT: 1971238/1971780/82/84/86/88-*, 2238067-*
 - 4 MATING CONN, P/N
 PLUG HSG: *-1971876-*,
 TPA DOUBLE ROW TPA: *-1971778-*, SINGLE ROW TPA: *-1971777-*
- 5 THIS PRODUCT HAS NOT COMPLETED VALIDATION TESTING



POS.	DIM.A	DIM.B
3*5	33.70	31.30
3*4	27.70	25.30
3*3	21.70	19.30

THIS DRAWING IS A CONTROLLED DOCUMENT.		OWN TOMMY WU 09JUL2012	STE TE Connectivity
DIMENSIONS:		CHK HAPYE WU 09JUL2012	
TOLERANCES UNLESS OTHERWISE SPECIFIED:		APVD YUHONG MAO 09JUL2012	
mm		NAME CAP HOUSING, FREE HANGING, TRIPLE ROW POWER TRIPLE LOCK	
0 PLC	±	PRODUCT SPEC	SIZE CAGE CODE DRAWING NO RESTRICTED TO
1 PLC	±0.35	108-106118	
2 PLC	±0.25	APPLICATION SPEC	SCALE SHEET 1 OF 2 REV C
3 PLC	±	114-106118	
4 PLC	±	WEIGHT	
ANGLES	±	Customer Drawing	
MATERIAL	FINISH		

REVISIONS				
P. LTR	DESCRIPTION	DATE	OWN	APVD
-	SEE SHEET 1	-	-	-

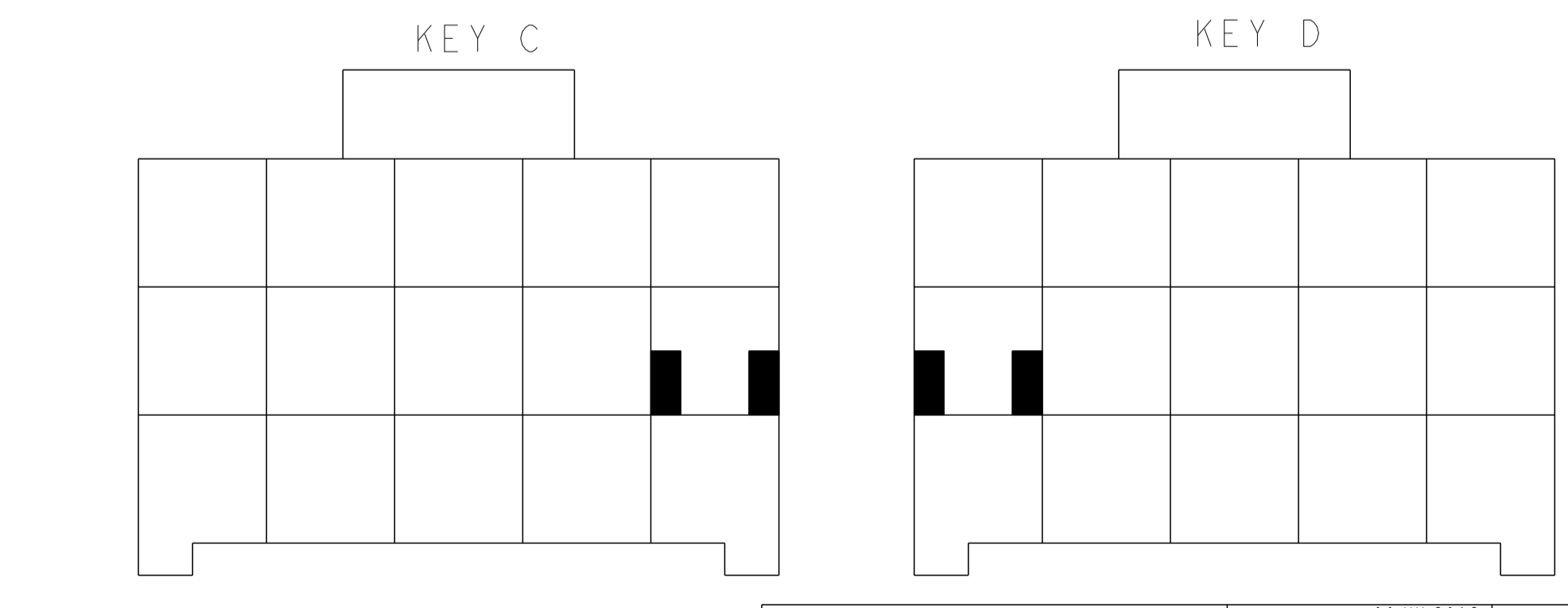
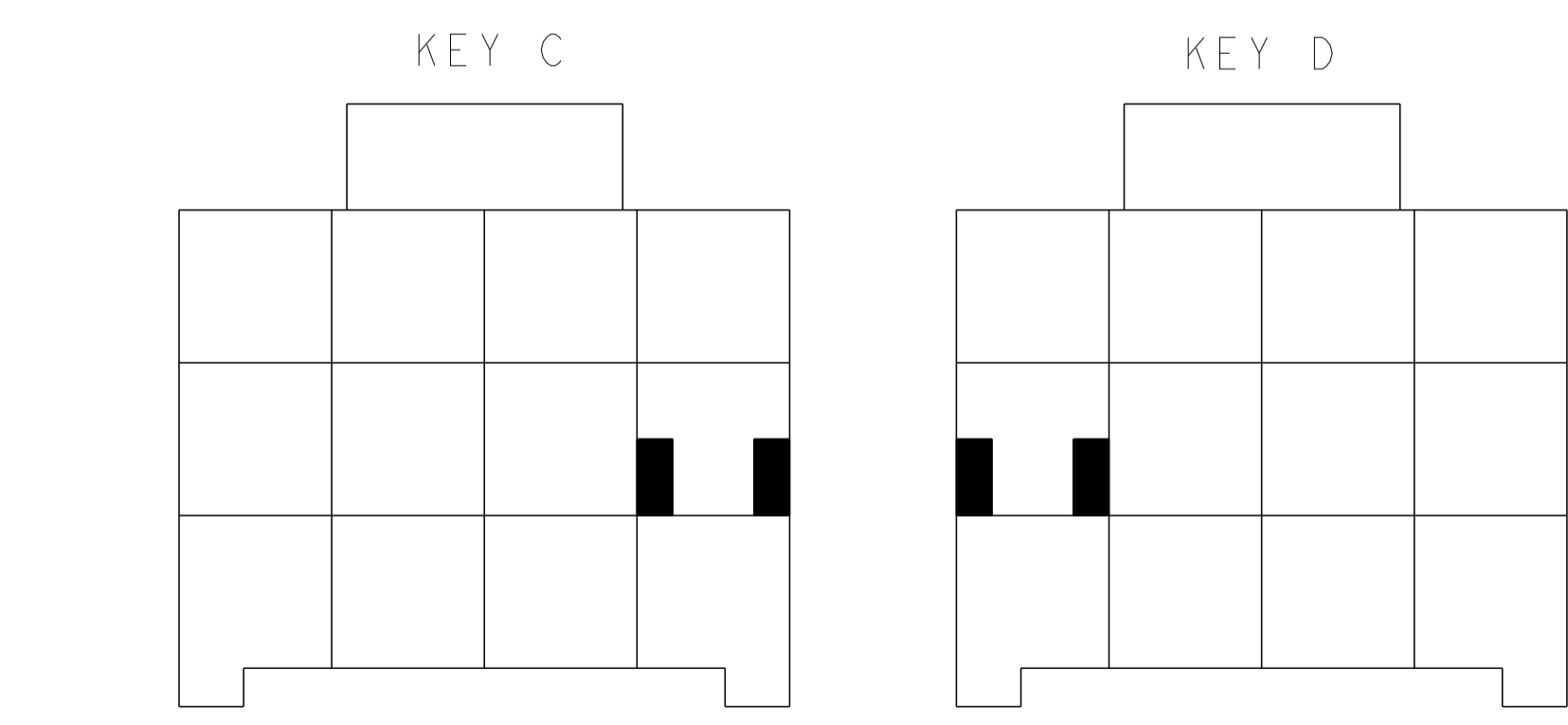
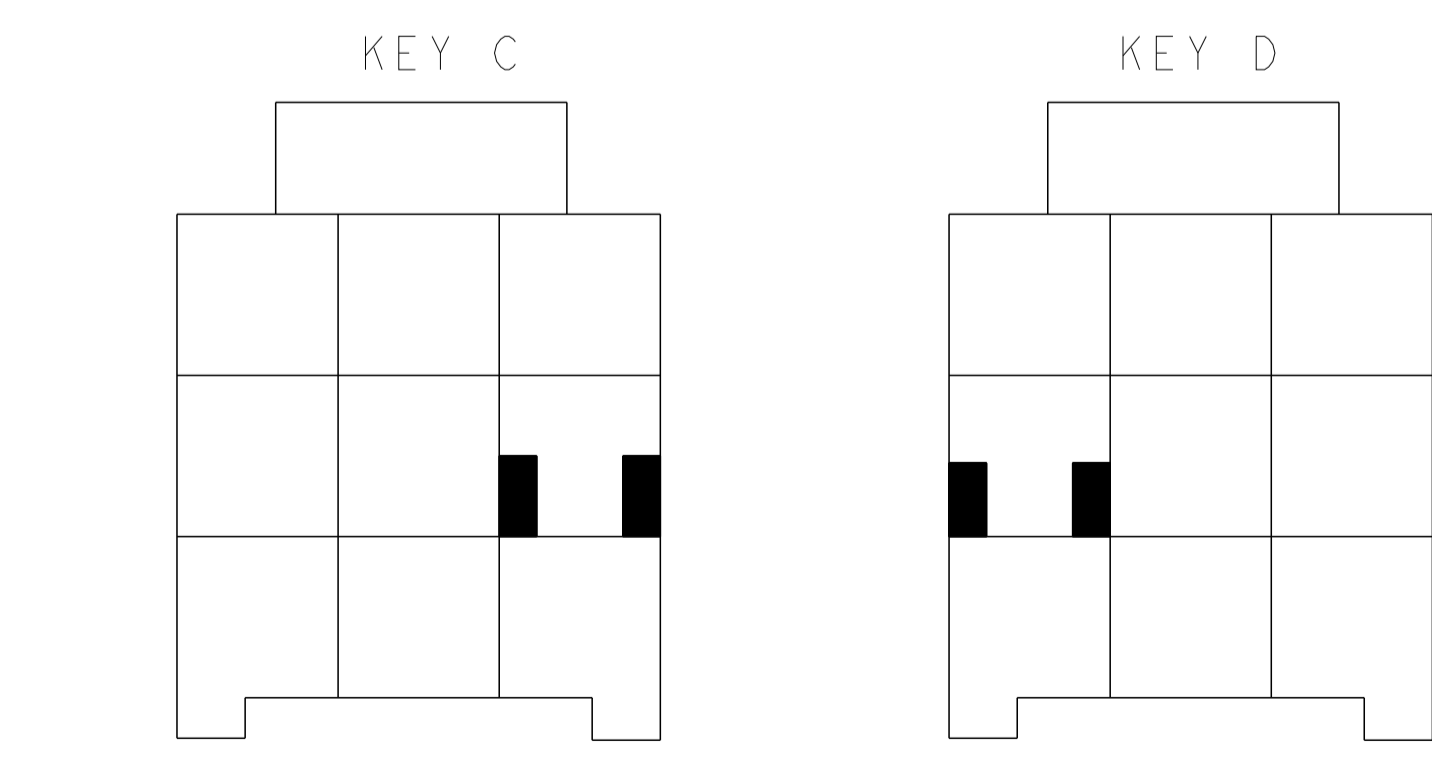
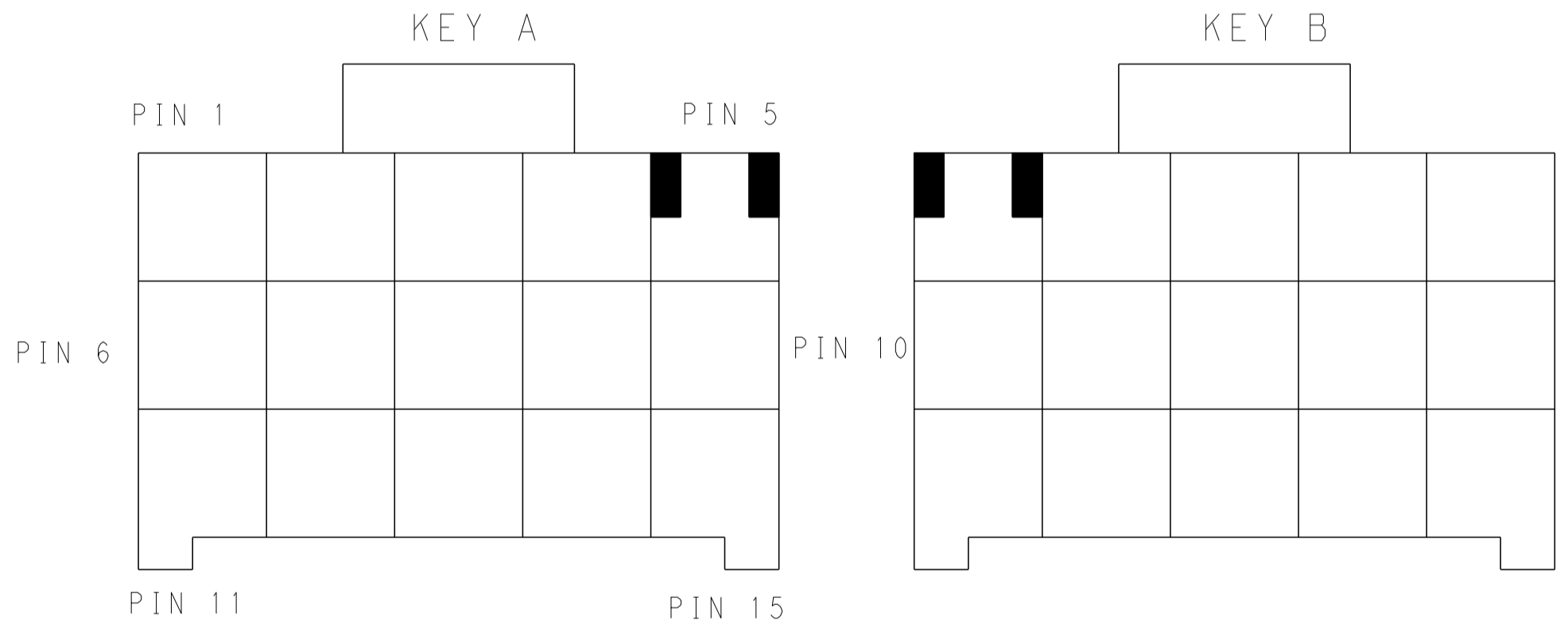
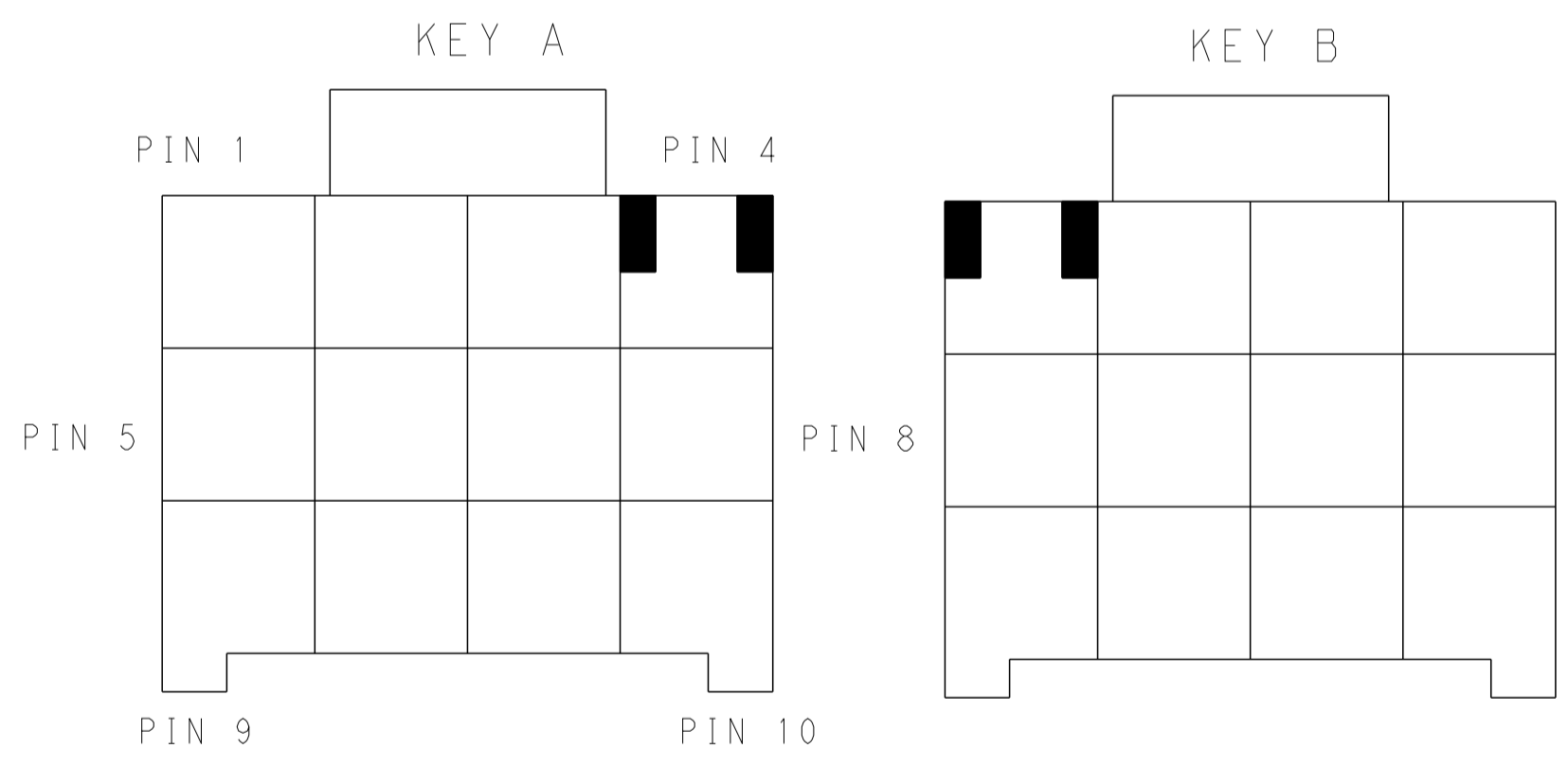
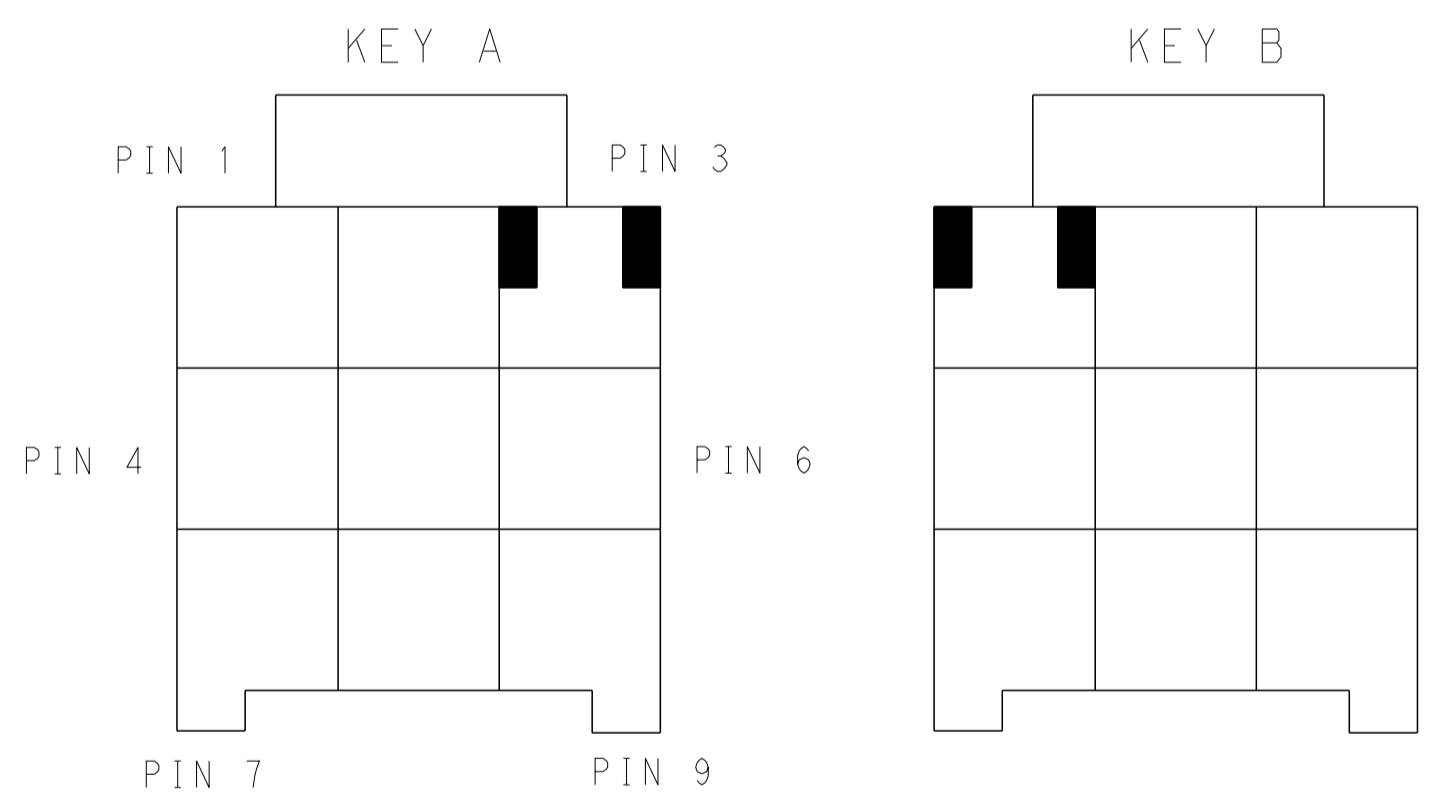


POS.	MATERIAL	KEY	P/N
3*5	LEVEL 1	KEY A	1-1971874-7
		KEY B	2-1971874-7
		KEY C	3-1971874-7
		KEY D	4-1971874-7
3*5	LEVEL 2	KEY A	5-1971874-7
		KEY B	6-1971874-7
		KEY C	7-1971874-7
		KEY D	8-1971874-7
3*4	LEVEL 1	KEY A	1-1971874-4
		KEY B	2-1971874-4
		KEY C	3-1971874-4
		KEY D	4-1971874-4
3*4	LEVEL 2	KEY A	5-1971874-4
		KEY B	6-1971874-4
		KEY C	7-1971874-4
		KEY D	8-1971874-4
3*3	LEVEL 1	KEY A	1-1971874-3
		KEY B	2-1971874-3
		KEY C	3-1971874-3
		KEY D	4-1971874-3
3*3	LEVEL 2	KEY A	5-1971874-3
		KEY B	6-1971874-3
		KEY C	7-1971874-3
		KEY D	8-1971874-3

3*3 POSITIONS

3*4 POSITIONS

3*5 POSITIONS



KEYING FOR 3*3 POS.

KEYING FOR 3*4 POS.

KEYING FOR 3*5 POS.

THIS DRAWING IS A CONTROLLED DOCUMENT.

DIMENSIONS:	TOLERANCES UNLESS OTHERWISE SPECIFIED:	OWN TOMMY WU 09JUL2012	CHK HAPYE WU 09JUL2012	APVD YUHONG MAO 09JUL2012
mm	0 PLC ±0.35 1 PLC ±0.25 2 PLC ±0.25 3 PLC ±0.25 4 PLC ±0.25 ANGLES ±0.25	PRODUCT SPEC	108-106118	APPLICATION SPEC
MATERIAL	FINISH	SIZE 114-106118	WEIGHT	Customer Drawing

STE TE Connectivity
 CAP HOUSING, FREE HANGING, TRIPLE ROW
 POWER TRIPLE LOCK

SIZE CAGE CODE DRAWING NO. RESTRICTED TO
 A100779C=1971874 -

SCALE - SHEET 2 OF 2 REV C

Mouser Electronics

Authorized Distributor

Click to View Pricing, Inventory, Delivery & Lifecycle Information:

[TE Connectivity:](#)

[4-1971874-7](#)