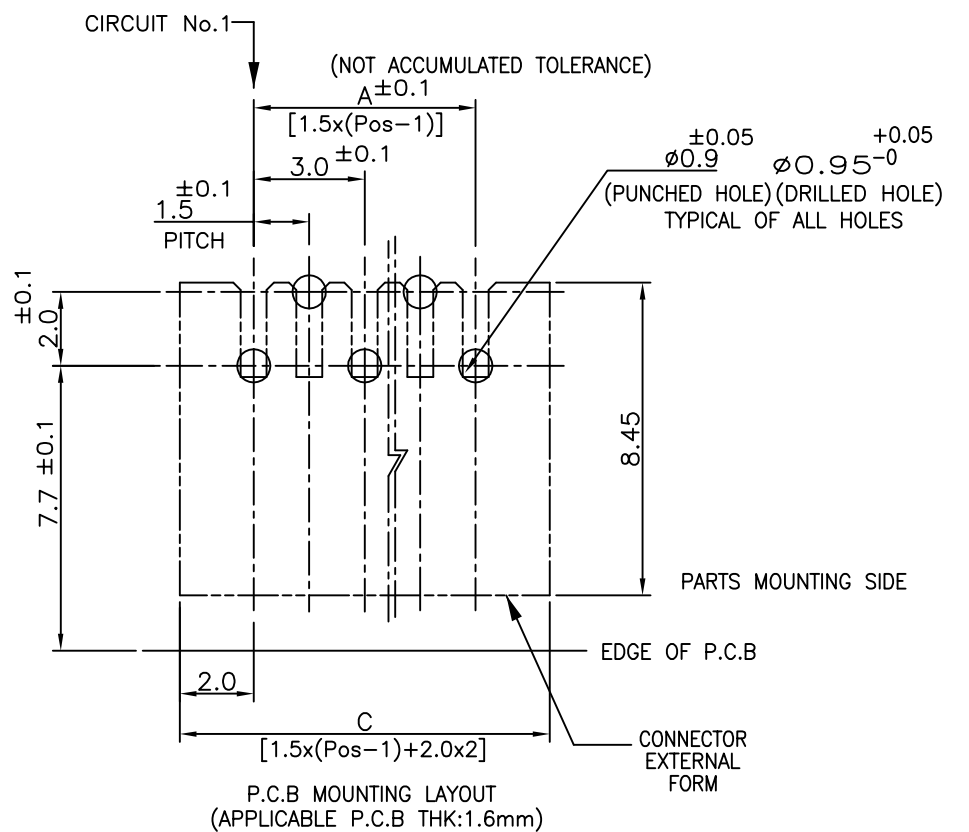
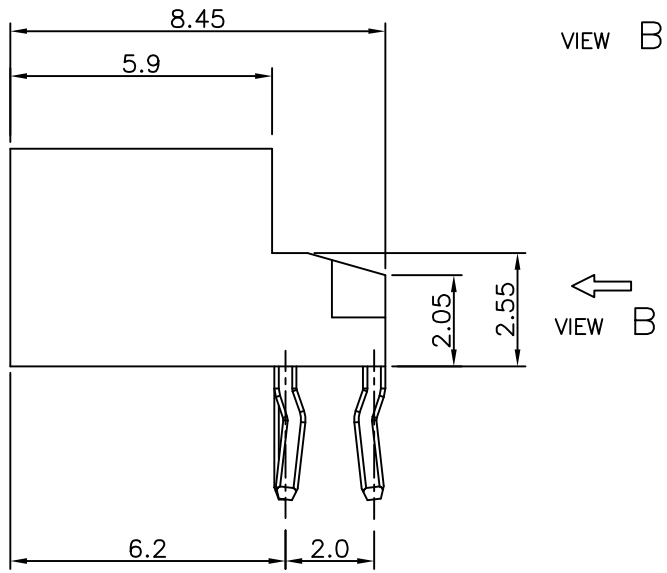
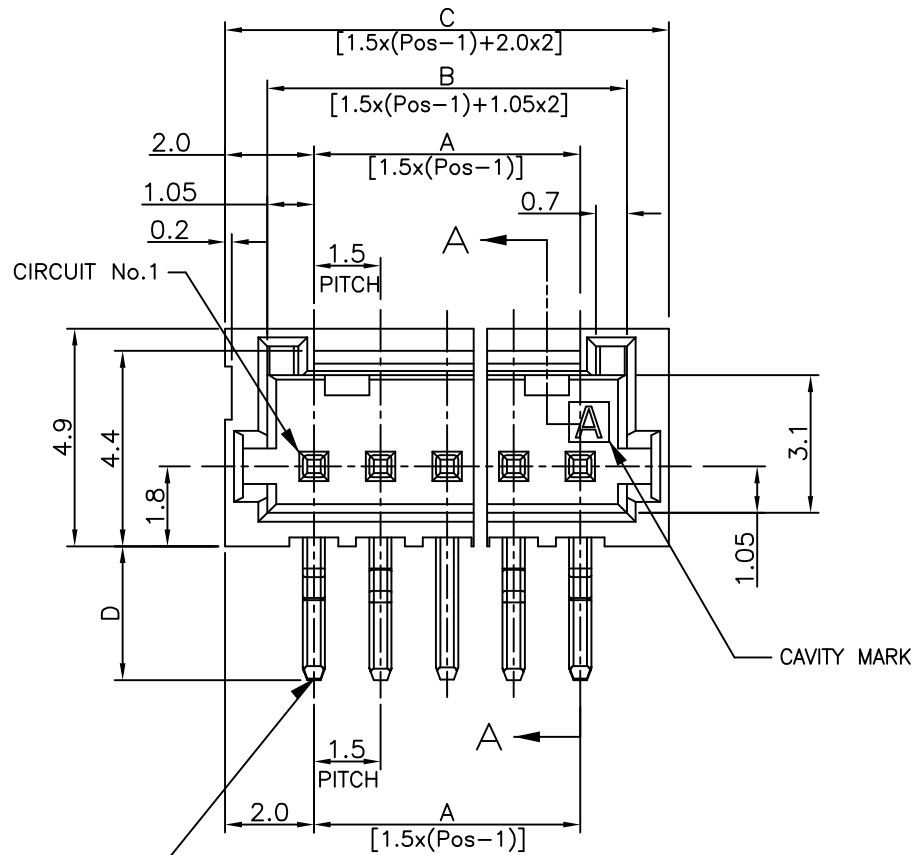
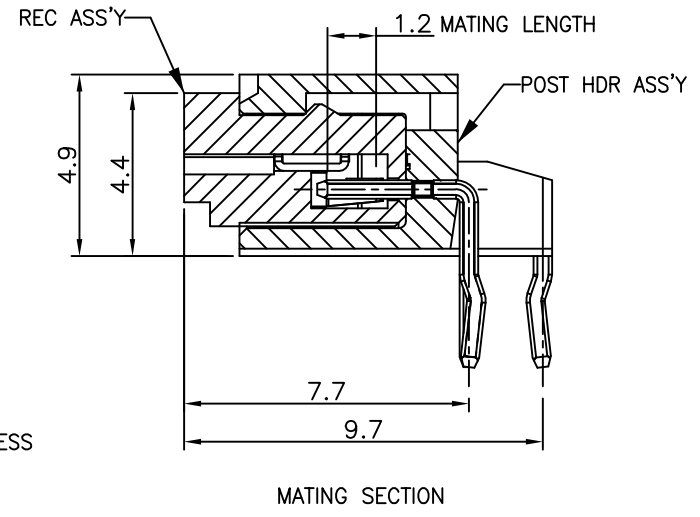
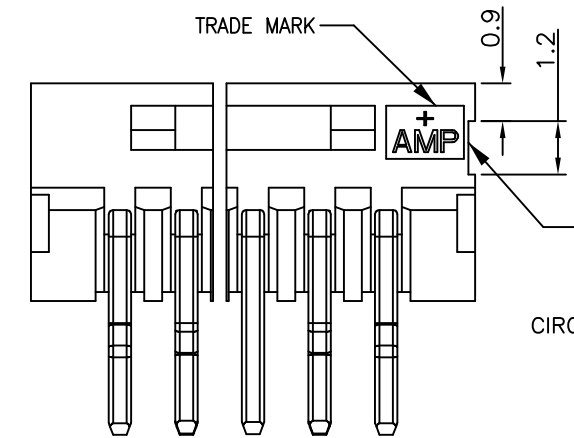
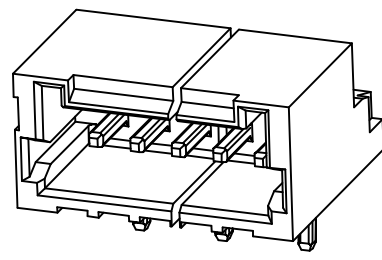
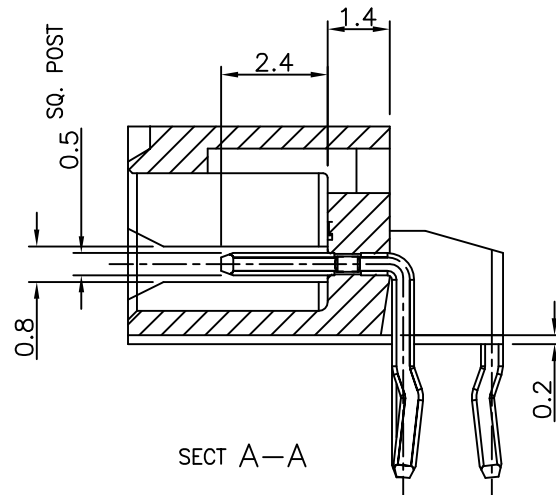
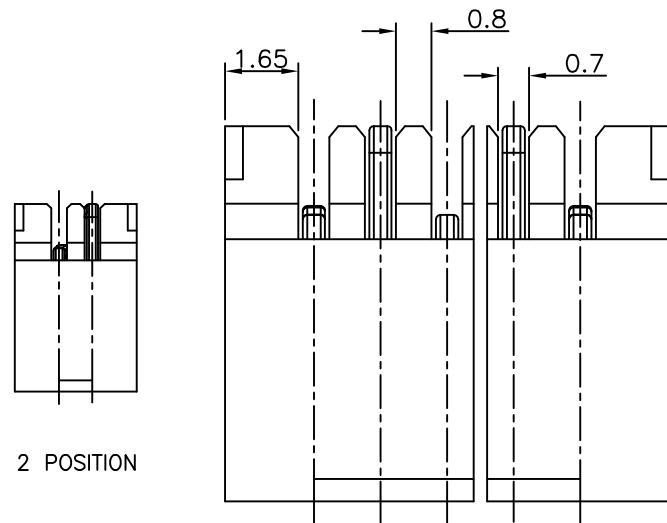


THIS DRAWING IS UNPUBLISHED. RELEASED FOR PUBLICATION
 © COPYRIGHT - By - ALL RIGHTS RESERVED.

LOC	DIST	REVISIONS		
ES	00	P	LTR	DESCRIPTION
		A2		ECR-14-005789
			DATE	DWN
			19MAR14	T.Q
				APVD
				W.H



NOTES:
 1. MATERIAL:
 HOUSING: NYLON(G.F.) UL94V-0, COLOR: GRAY, BLUE
 POST: PRE-TIN 0.5mm SQ. BRASS WIRE

TOLERANCES UNLESS OTHERWISE SPECIFIED:

10 > *	:	±0.2
30 > * > 10	:	±0.25
100 > * > 30	:	±0.3
ANGLE	:	±3°

THIS DRAWING IS A CONTROLLED DOCUMENT.

DWN	S. YAO	06DEC02
CHK	T. SASAKI	31JAN03
APVD	T. SASAKI	31JAN03
PRODUCT SPEC	NAME	
108-60018	AMP Mini CT Connector 1.5mm Pitch	
APPLICATION SPEC	Single Row HDR Ass'y (H) DIP Staggered Type with Kink	
114-5223	SIZE	CAGE CODE
WEIGHT	A3	00779
CUSTOMER DRAWING	DRAWING NO	C=292206
SCALE	NON	SHEET
		1 of 2
	REV	A2

LOC	DIST	REVISIONS					
ES	00	P	LTR	DESCRIPTION	DATE	DWN	APVD
		-		SEE SHEET 1	-	-	-


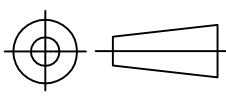
0.28	2.5	8.5	6.6	4.5	4		9-292206-4
0.23	2.5	7.0	5.1	3.0	3		9-292206-3
1.11	3.0	32.5	30.6	28.5	20	7-292206-0	2-292206-0
1.06	3.0	31.0	29.1	27.0	19	6-292206-9	1-292206-9
1.01	3.0	29.5	27.6	25.5	18	6-292206-8	1-292206-8
0.96	3.0	28.0	26.1	24.0	17	6-292206-7	1-292206-7
0.91	3.0	26.5	24.6	22.5	16	6-292206-6	1-292206-6
0.86	3.0	25.0	23.1	21.0	15	6-292206-5	1-292206-5
0.81	3.0	23.5	21.6	19.5	14	6-292206-4	1-292206-4
0.75	3.0	22.0	20.1	18.0	13	6-292206-3	1-292206-3
0.70	3.0	20.5	18.6	16.5	12	6-292206-2	1-292206-2
0.65	3.0	19.0	17.1	15.0	11	6-292206-1	1-292206-1
0.60	3.0	17.5	15.6	13.5	10	6-292206-0	1-292206-0
0.54	3.0	16.0	14.1	12.0	9	5-292206-9	292206-9
0.49	3.0	14.5	12.6	10.5	8	5-292206-8	292206-8
0.44	3.0	13.0	11.1	9.0	7	5-292206-7	292206-7
0.40	3.0	11.5	9.6	7.5	6	5-292206-6	292206-6
0.34	3.0	10.0	8.1	6.0	5	5-292206-5	292206-5
0.29	3.0	8.5	6.6	4.5	4	5-292206-4	292206-4
0.24	3.0	7.0	5.1	3.0	3	5-292206-3	292206-3
0.19	3.0	5.5	3.6	1.5	2	5-292206-2	292206-2
WEIGHT (g)	D	C	B	A	Pos.	BLUE	GRAY
	DIMENSIONS					PART NO	

RELEASED FOR PUBLICATION

ALL RIGHTS RESERVED.

THIS DRAWING IS UNPUBLISHED.

© COPYRIGHT - By -

DIMENSIONS: mm TOLERANCES UNLESS OTHERWISE SPECIFIED: 0 PLC ± - 1 PLC ± SEE SHEET 2 PLC ± 1 OF 2 3 PLC ± - 4 PLC ± - ANGLES ± -	DWN -	MATERIAL -	FINISH -
	CHK -	 TE Connectivity	
	APVD -		
	PRODUCT SPEC -	NAME AMP Mini CT Connector 1.5mm Pitch Single Row Post HDR Ass'y (H) DIP Staggered Type with Kink	
APPLIC. SPEC -	SIZE A4	CAGE CODE 00779	DRAWING NO C-292206
WEIGHT -	CUSTOMER DRAWING		RESTRICTED TO -
	SCALE -	SHEET 2 OF 2	REV A2

Mouser Electronics

Authorized Distributor

Click to View Pricing, Inventory, Delivery & Lifecycle Information:

[TE Connectivity:](#)

[6-292206-6](#)