

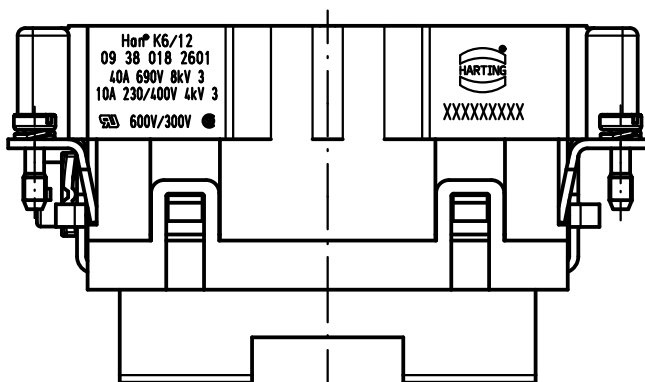
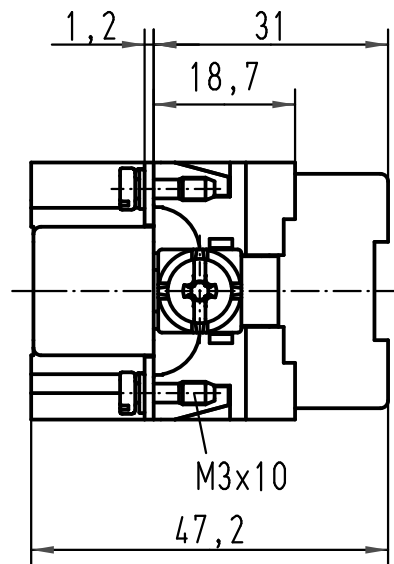
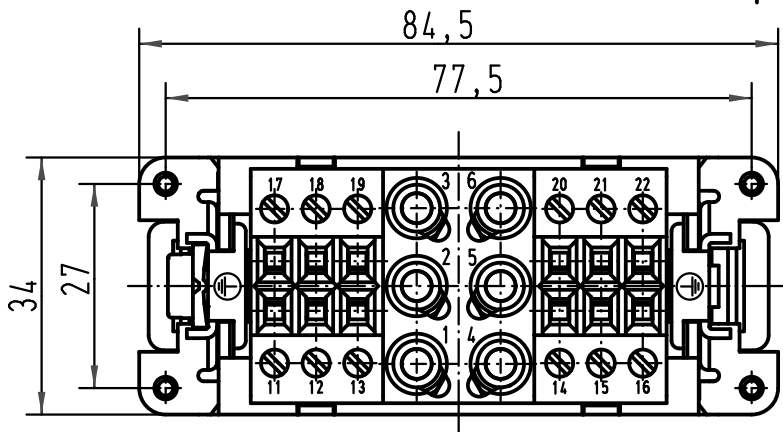
1 2 3 4 5 6

A

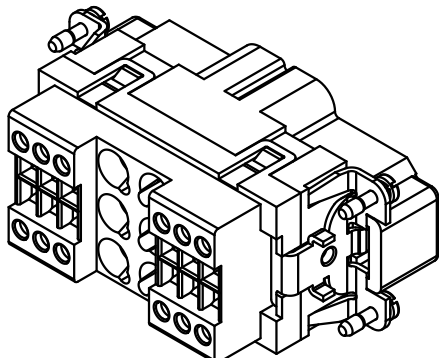
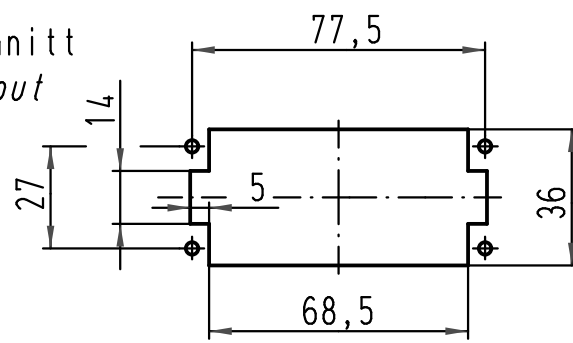
B

C

D



Montageausschnitt
panel cut out
1:2



	ALL Dimensions in mm Original Size DIN A 4			Techn. Character.		Nicht tolerierte Maß/Free size tolerances		
				Dat.	Name	Maßstab/Scale		
				Detail.	12.03.10	Rull	Han K6/12-M Stifteinsatz / male insert	
				Insp.		Be		
				Stand.				
A			HARTING Electric GmbH & Co. KG D-32339 Espelkamp				TB 09 38 018 2601	
Mod.	Dat.	Name				Sub. TB 09 38 018 2601 v. 22.03.93		
							Blatt/page	

Mouser Electronics

Authorized Distributor

Click to View Pricing, Inventory, Delivery & Lifecycle Information:

[HARTING:](#)

[09380182602](#)