

1 2 3 4 5 6

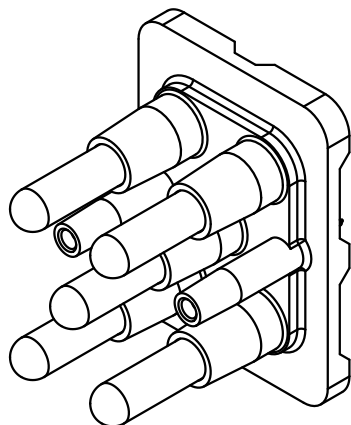
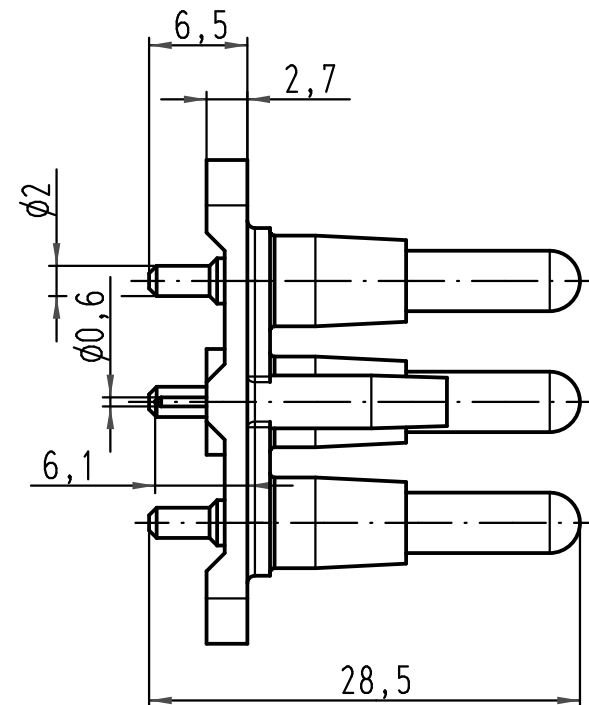
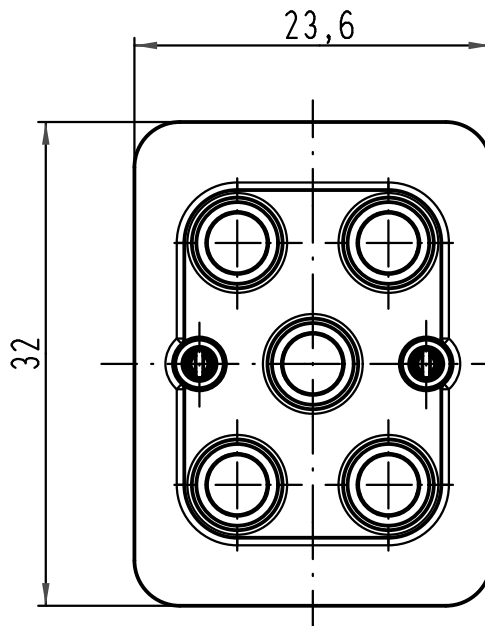
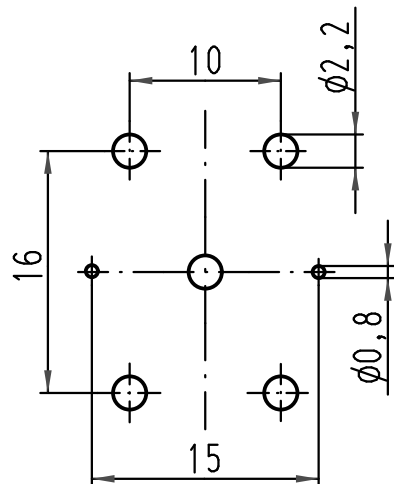
A

B

C

D

PCB-Layout



	All Dimensions in mm Original Size DIN A 4			Techn. Character.		Nicht tolerierte Maß/Free size tolerances Han Q4/2 PCB-Adaptor vollbestückt/customized		
				Dat.	Name		Maßstab/Scale 2:1	
				Detail.	23.03.10			Spr
				Insp.				Be
			Stand.					
A			HARTING Electric GmbH & Co. KG			TB 09 12 006 9901		
Mod.	Dat.	Name	D-32339 Espelkamp				Sub. TB 09 12 006 9901 v. 16.02.07	
						Blatt/page		

Mouser Electronics

Authorized Distributor

Click to View Pricing, Inventory, Delivery & Lifecycle Information:

[HARTING:](#)

[09120069901](#)