

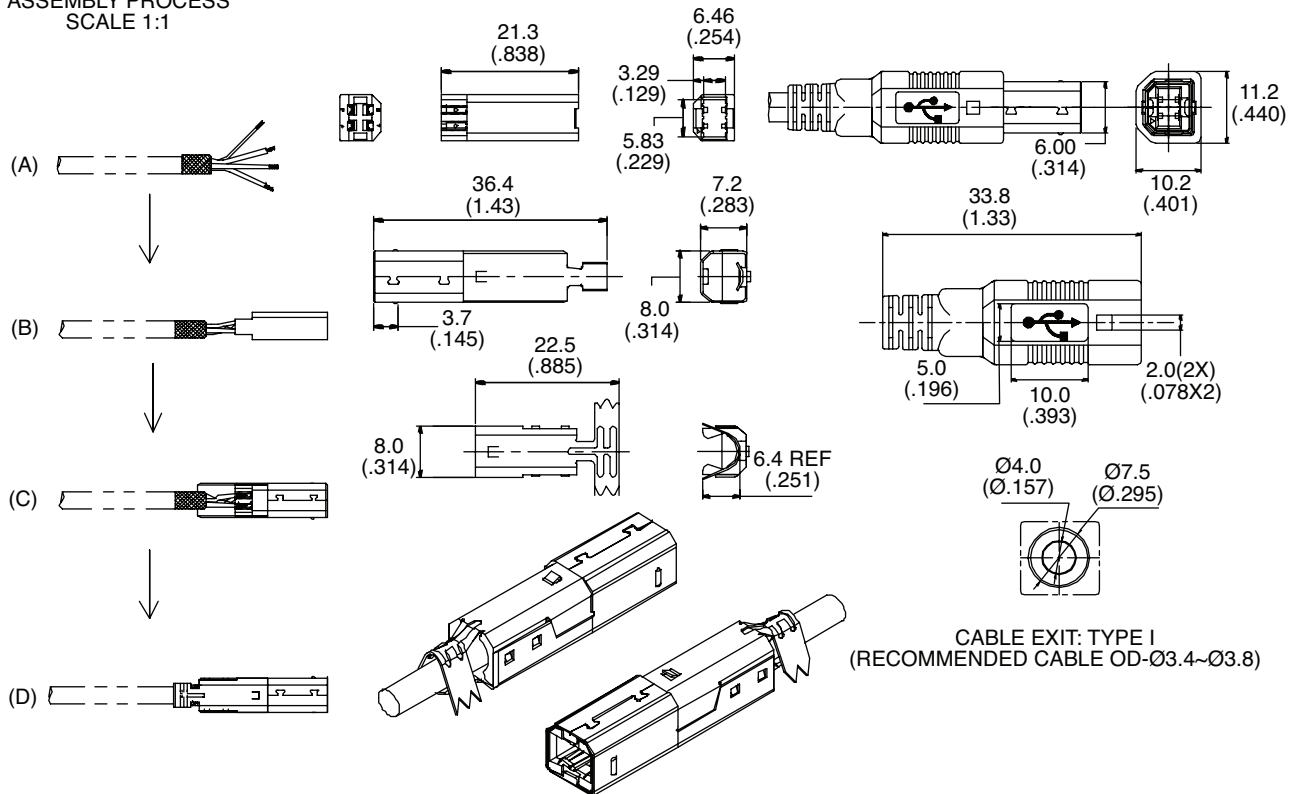
USB "B" TYPE PLUG

154-UBW32-E, 154-UBC12-E



USB "B" TYPE PLUG

ASSEMBLY PROCESS SCALE 1:1



Dimensions: mm (in.)

SPECIFICATIONS	
Voltage:	30 VAC (R.M.S.)
Current:	1.0 Ampere Maximum Per Contact at 30°C T-Rise
Temperature:	-55°C to +85°C Unless Limited By Cable or Overmold
Contact Resistance:	30 Milliohms Maximum Initial
Insulation Resistance:	1,000 M ohms Minimum
Dielectric Withstanding Voltage:	500 VAC at Sea Level
Materials:	ABS Resin
RoHS Compliant	

Date Last Revised: 6/13/12

Available from Mouser Electronics
1-800-346-6873 / www.mouser.com

KC- 301152

Specifications are subject to change without notice. No liability or warranty implied by this information. Environmental compliance based on producer documentation.

154-UBW32-E, 154-UBC12-E

Mouser Electronics

Authorized Distributor

Click to View Pricing, Inventory, Delivery & Lifecycle Information:

[Kobiconn:](#)

[154-UBC12-E](#) [154-UBW32-E](#)