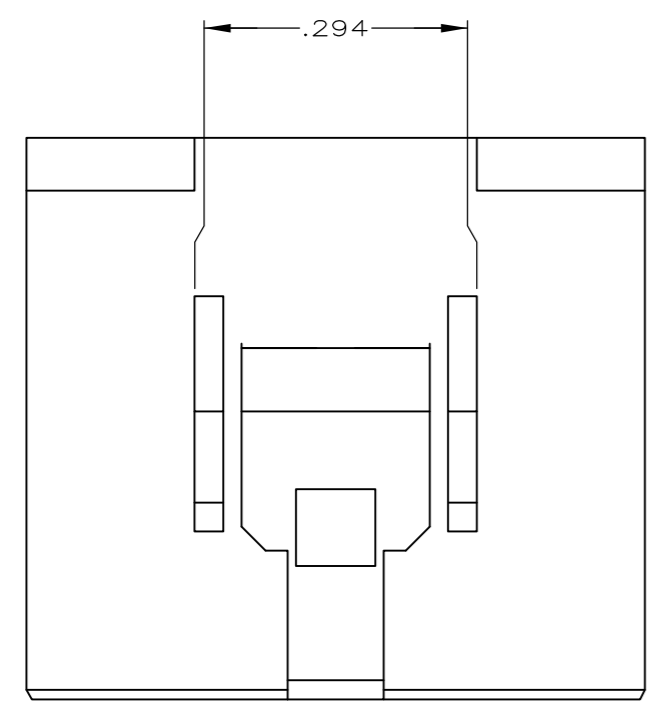
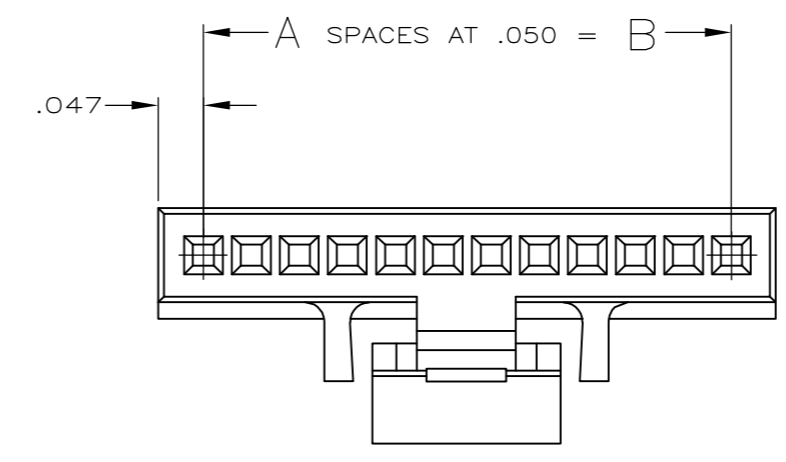
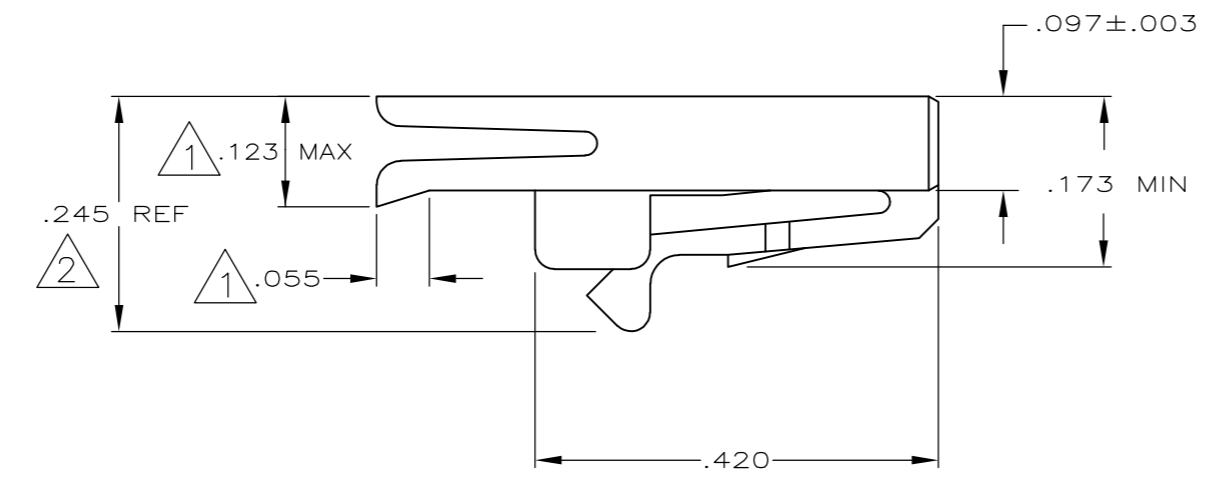
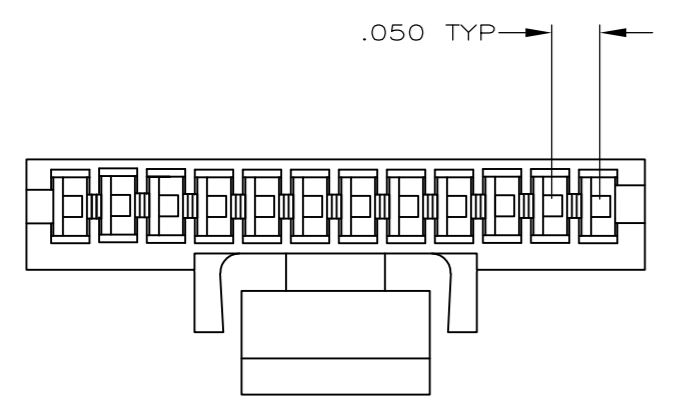
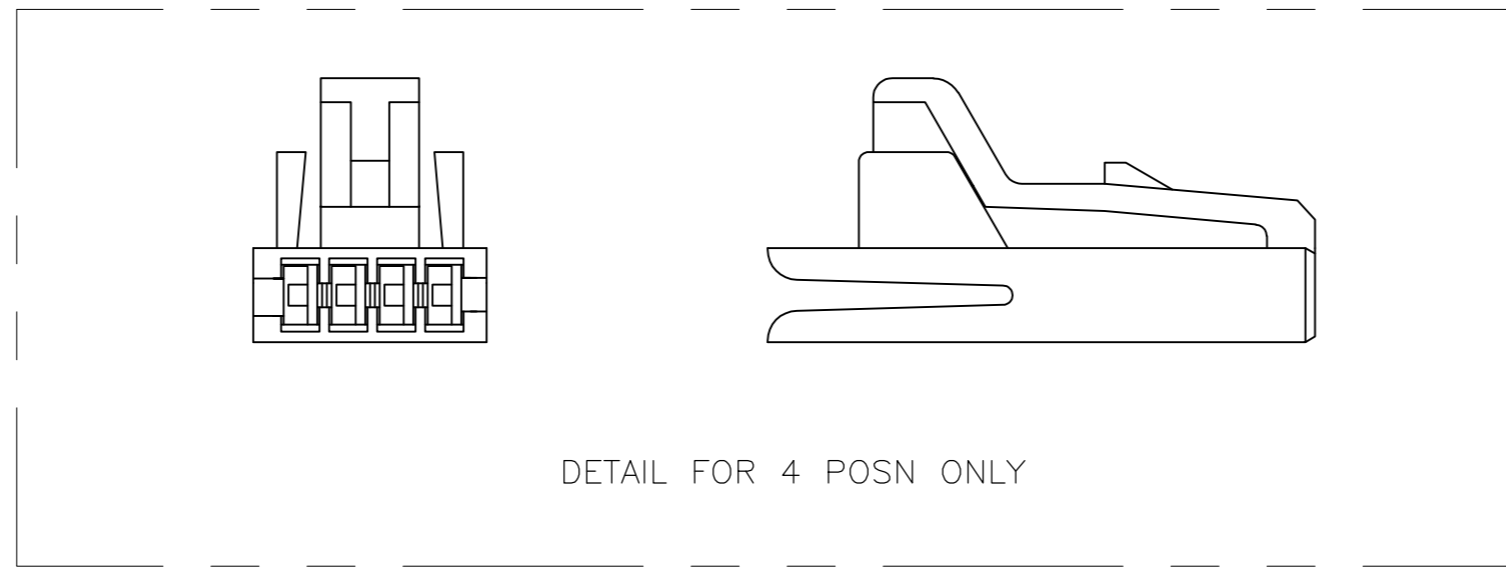
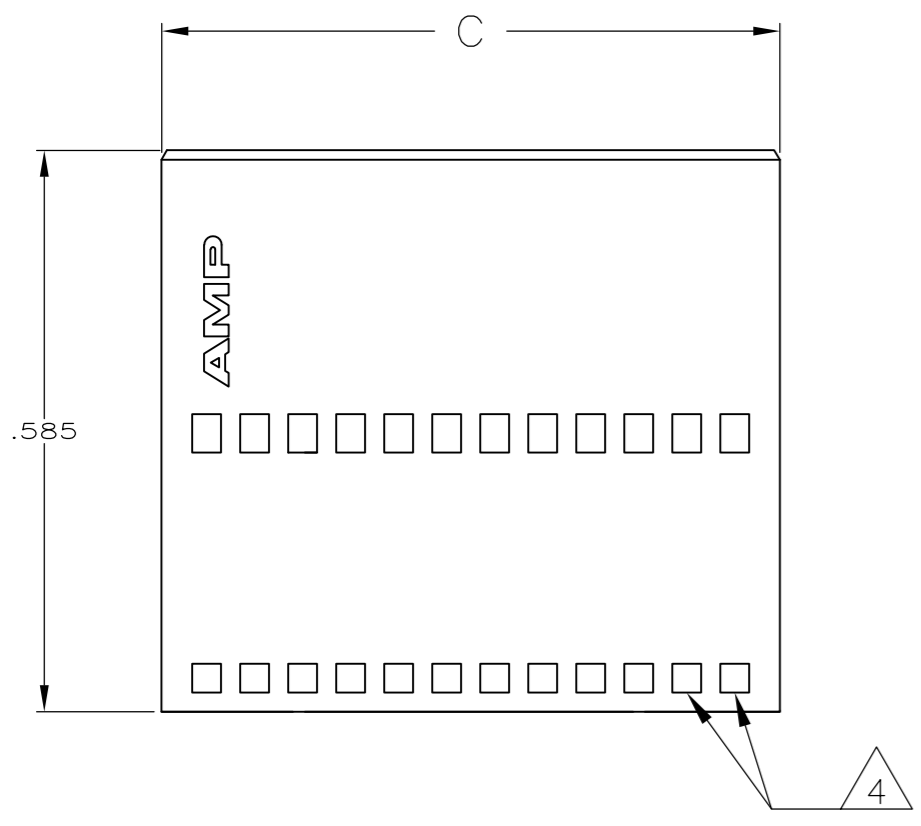


THIS DRAWING IS UNPUBLISHED. RELEASED FOR PUBLICATION
 © COPYRIGHT - By - ALL RIGHTS RESERVED.

LOC	DIST	REVISIONS			
P	LTR	DESCRIPTION	DATE	DWN	APVD
GP	00				
R		REVISED PER ECO-11-017188	06DEC2011	CJV	CWR



2.543	2.450	49	50	4-487545-7
2.293	2.200	44	45	4-487545-2
2.043	1.950	39	40	3-487545-7
1.843	1.750	35	36	3-487545-3
1.543	1.450	29	30	2-487545-7
1.443	1.350	27	28	2-487545-5
1.343	1.250	25	26	2-487545-3
1.293	1.200	24	25	2-487545-2
1.143	1.050	21	22	1-487545-9
1.043	.950	19	20	1-487545-7
.893	.800	16	17	1-487545-4
.793	.700	14	15	1-487545-2
.693	.600	12	13	1-487545-0
.643	.550	11	12	487545-9
.543	.450	9	10	487545-7
.443	.350	7	8	487545-5
.393	.300	6	7	487545-4
.343	.250	5	6	487545-3
.293	.200	4	5	487545-2
.243	.150	3	4	487545-1
C	B	A	POSN	PART NO.

- 1 LIP DOES NOT APPLY TO 4 & 5 POSITION HOUSINGS.
- 2 THIS DIMENSION IS .275 REF. ON 4 POSITION HOUSING ONLY.
- 3 OBSOLETE PARTS: OBSOLETE CIS STREAMLINING PER D.RENAUD/D.SINISI.
- 4 WINDOWS MAY OR MAY NOT BE PRESENT ON THIS END OF THE HOUSING.

THIS DRAWING IS A CONTROLLED DOCUMENT.

DIMENSIONS: INCHES	TOLERANCES UNLESS OTHERWISE SPECIFIED:	DWN B. HAYMAKER 24MAY99	 TE Connectivity
	0 PLC ± -	CHK S. BOLASH 24MAY99	
	1 PLC ± -	APVD S. BOLASH 24MAY99	
	2 PLC ± -	NAME HOUSING, RECEPTACLE, .050 C/L	
MATERIAL POLYESTER, BLACK	FINISH -	PRODUCT SPEC -	SIZE A2
CUSTOMER DRAWING		APPLICATION SPEC -	CAGE CODE 00779
		WEIGHT -	DRAWING NO C=487545
		SCALE 5:1	SHEET 1 of 1
		RESTRICTED TO -	REV R

Mouser Electronics

Authorized Distributor

Click to View Pricing, Inventory, Delivery & Lifecycle Information:

[TE Connectivity:](#)

[487545-2](#)