

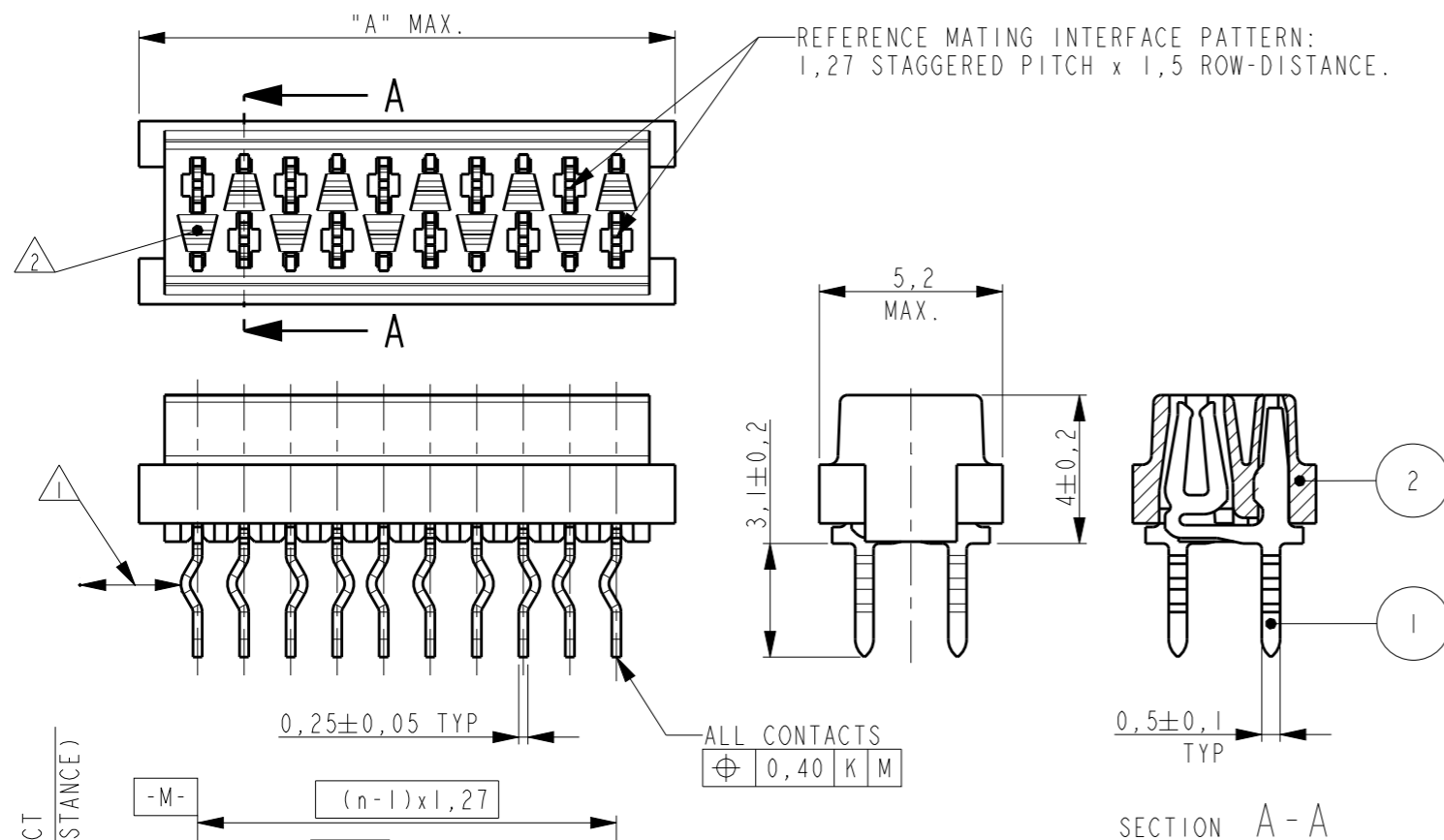
THIS DRAWING IS UNPUBLISHED. RELEASED FOR PUBLICATION
 © COPYRIGHT - BY - ALL RIGHTS RESERVED.

REVISIONS

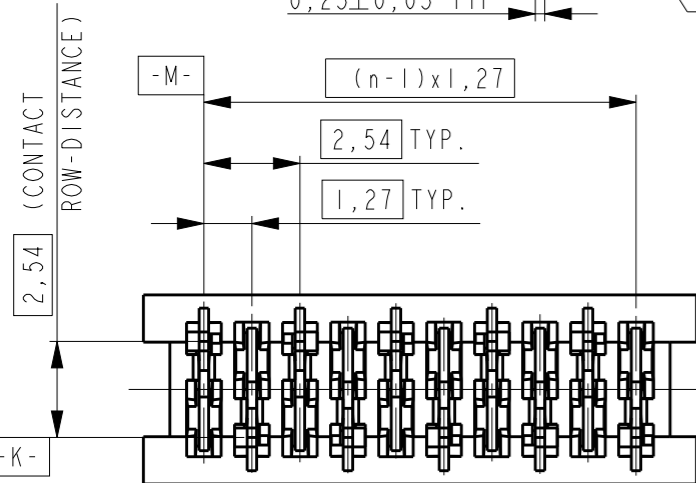
P	LTR	DESCRIPTION	DATE	DWN	APVD
	A	INITIAL RELEASE	08AUG2014	PS	JK

NOTES:

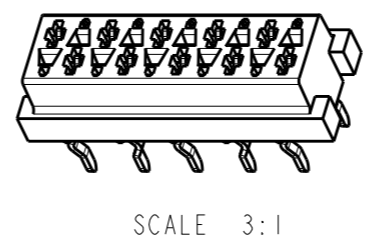
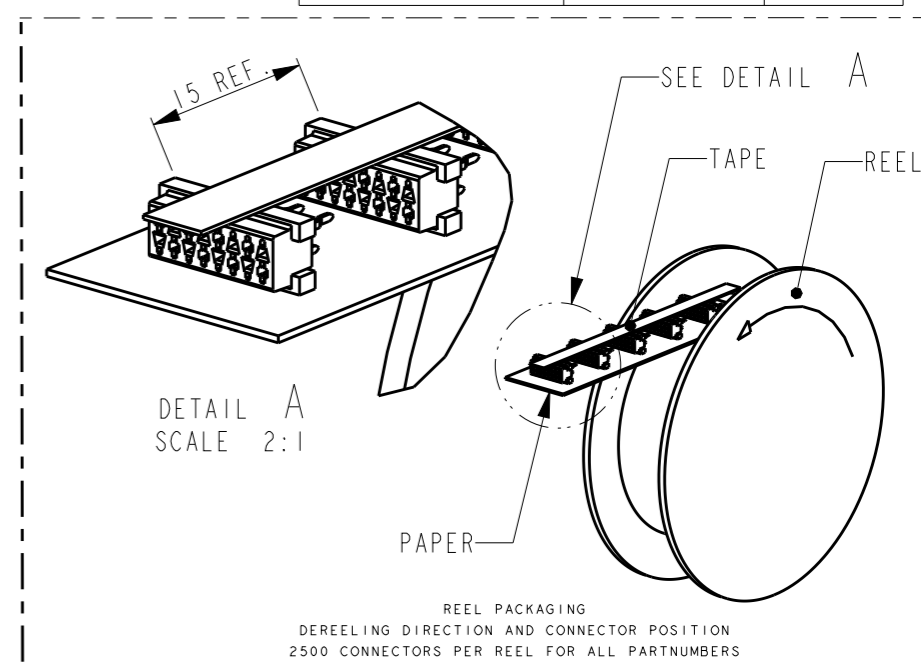
- ⚠ IN EACH ROW, DIRECTION OF KINKS STARTS RANDOM.
IN EACH ROW, SEQUENTIAL CONTACTS HAVE OPPOSITE KINK DIRECTIONS.
- ⚠ CORING-OUTS FOR MANUFACTURING PURPOSE ONLY.
SHAPE MAY VARY, BUT IS NOT FUNCTIONAL FOR THE APPLICATION.
- 3 SHOWN IS A 10 POSITION CONNECTOR.



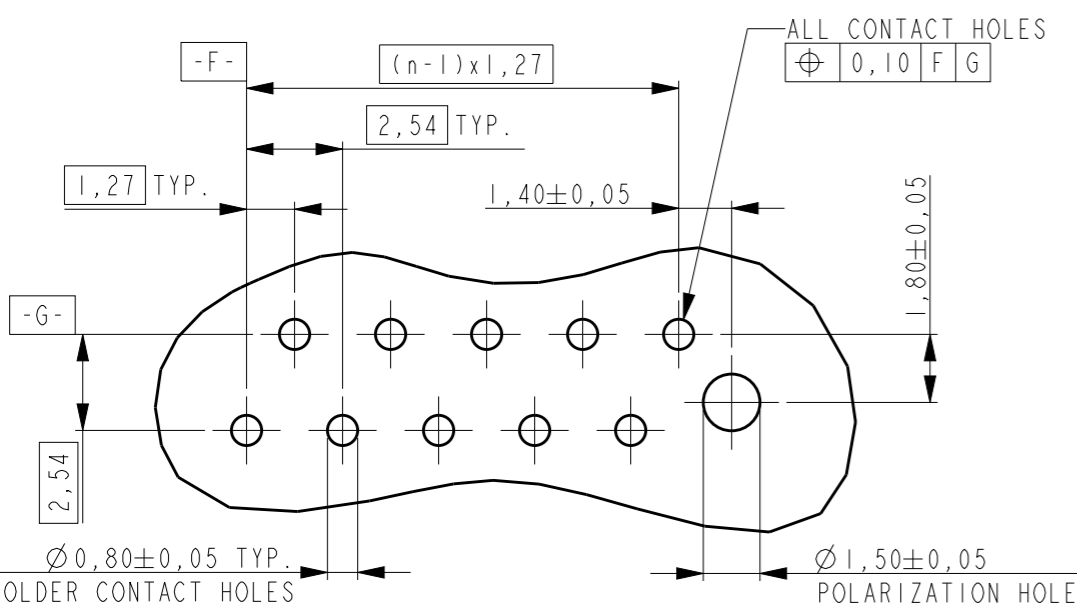
PARTNUMBER REEL PACKAGING	NO. OF POS. "n"	DIMENSION "A" MAX
2178710-4	4	7,1
2178710-6	6	9,7
2178710-8	8	12,2
1-2178710-0	10	14,7
1-2178710-2	12	17,3
1-2178710-4	14	19,8
1-2178710-6	16	22,4
1-2178710-8	18	24,9
2-2178710-0	20	27,4



SECTION A - A



PC-BOARD HOLE LAYOUT (COMPONENT SIDE OF BOARD SHOWN)



THIS DRAWING IS A CONTROLLED DOCUMENT.

DIMENSIONS:	TOLERANCES UNLESS OTHERWISE SPECIFIED:
mm	0 PLC ±-
	1 PLC ±-
	2 PLC ±-
	3 PLC ±-
	4 PLC ±-
	ANGLES ±-
MATERIAL	FINISH
SEE TABLE	SEE TABLE

2	FEMALE HOUSING	PBT	BLACK		
1	FEMALE CONTACT	TIN BRASS	3.0 -5.0µm TIN OVER 0.5µm NICKEL		
ITEM NO.	COMPONENT DESCRIPTION	MATERIAL	FINISH / COLOR		
DWN	25JUL2014				
CHK	02AUG2014				
APVD	06AUG2014				
NAME	JAYANTH KUMAR				
PRODUCT SPEC	108-32087	Micro-MaTch VALUE LINE FEMALE-ON-BOARD TOP ENTRY, THRU-HOLE CONNECTOR			
APPLICATION SPEC	-	SIZE	CAGE CODE	DRAWING NO	RESTRICTED TO
WEIGHT	-	A3	00779	C=2178710	-
Customer Drawing		SCALE	SHEET	OF	REV
		5:1	1	1	A

Mouser Electronics

Authorized Distributor

Click to View Pricing, Inventory, Delivery & Lifecycle Information:

[TE Connectivity:](#)

[1-2178710-8](#)