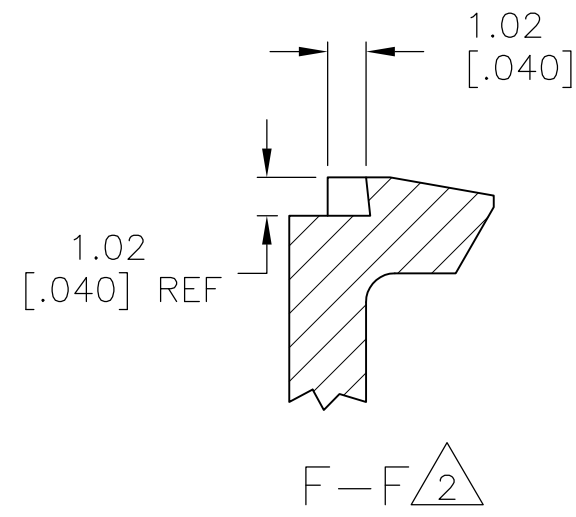
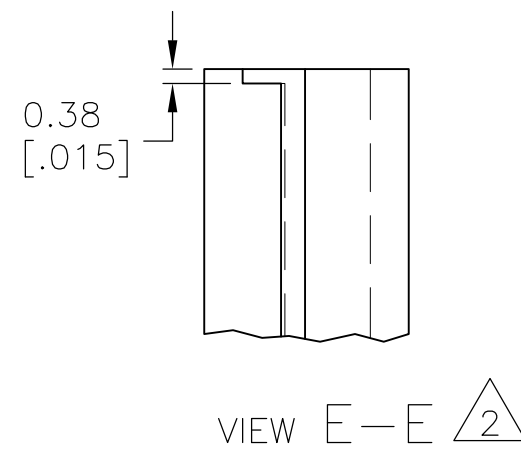
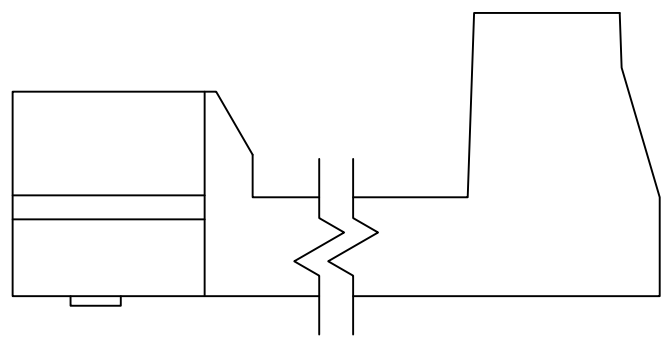
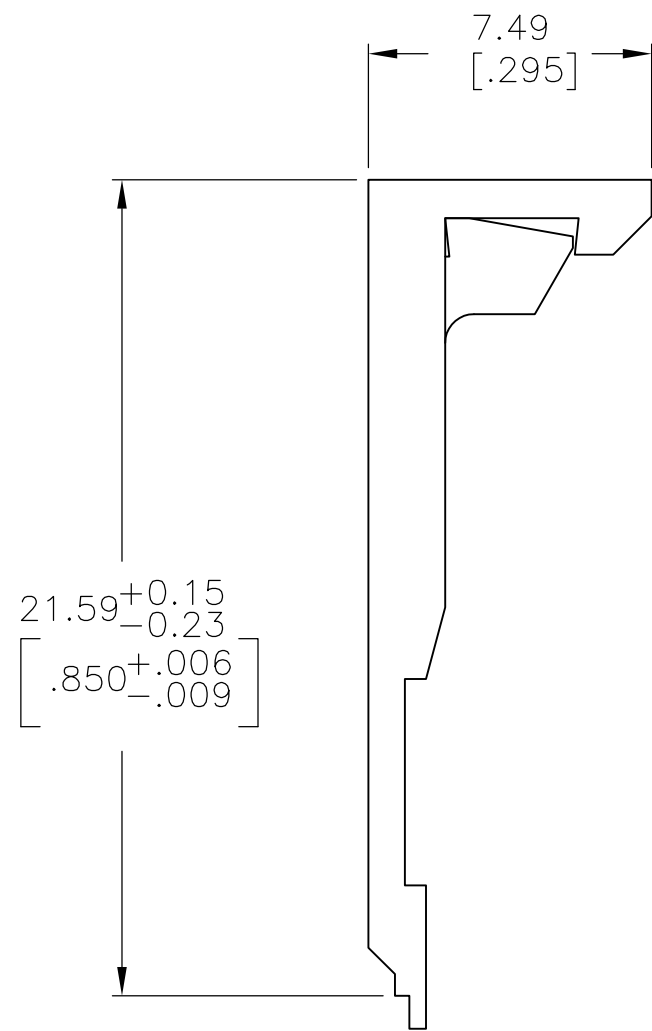
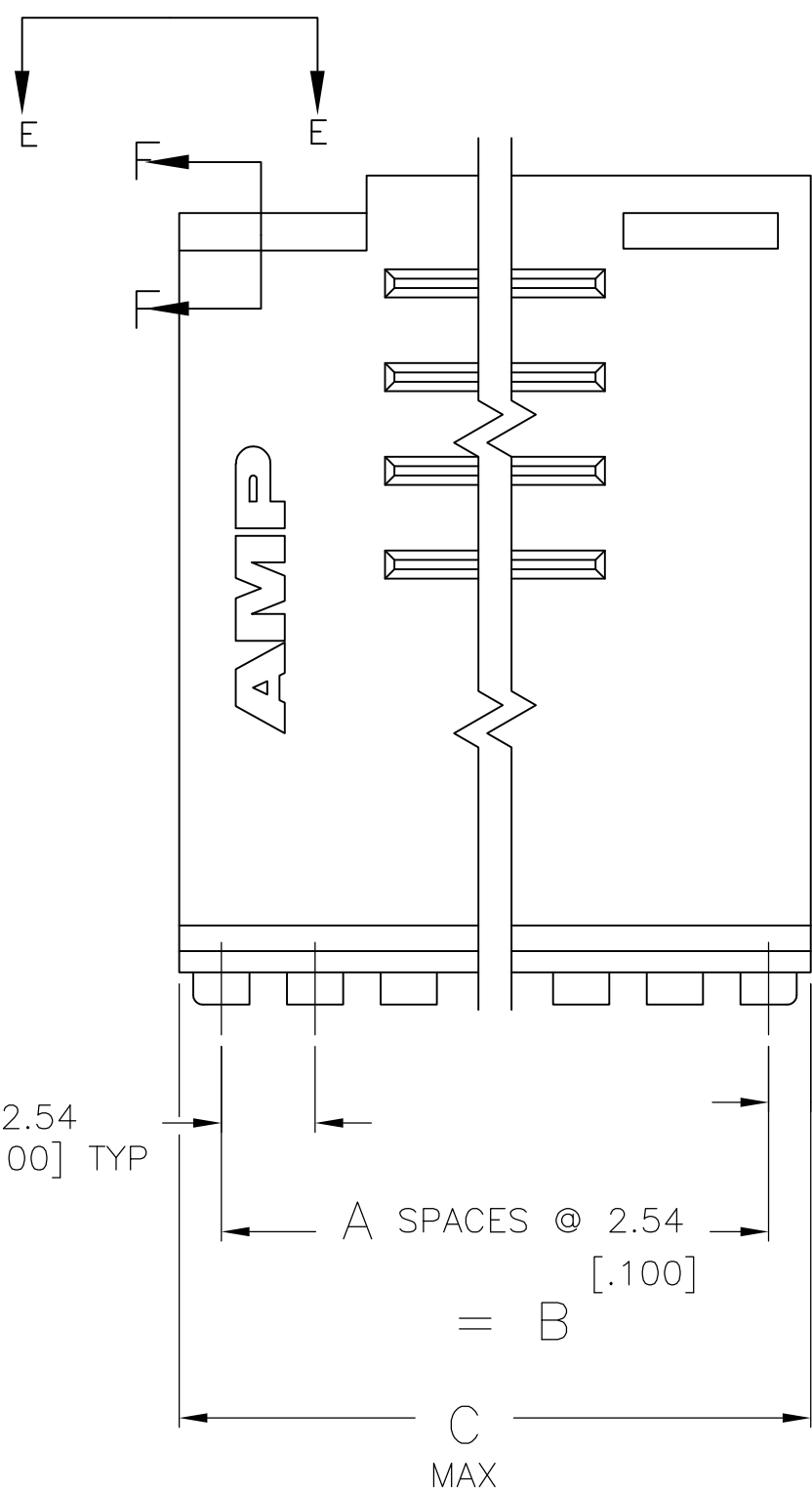


THIS DRAWING IS UNPUBLISHED. RELEASED FOR PUBLICATION  
 © COPYRIGHT - By - ALL RIGHTS RESERVED.

LOC	DIST	REVISIONS					
AD	00	P	LTR	DESCRIPTION	DATE	DWN	APVD
		L		REVISED PER ECO-15-008006	17NOV2015	NK	MM



- $\triangle 1$  THIS COVER IS TO BE USED IN PAIRS, WITH A DOUBLE ROW HOUSING. NUMBER OF POSITIONS INDICATED PERTAINS TO THE HOUSING.
- $\triangle 2$  THESE VIEWS APPLY TO -1 AND -2 ONLY.



OBSOLETE	91.44 [3.600]	88.90 [3.500]	35	72	<del>3-102396-4</del>
OBSOLETE	88.90 [3.500]	86.36 [3.400]	34	70	<del>3-102396-3</del>
OBSOLETE	86.36 [3.400]	83.82 [3.300]	33	68	<del>3-102396-2</del>
OBSOLETE	83.82 [3.300]	81.28 [3.200]	32	66	<del>3-102396-1</del>
	81.28 [3.200]	78.74 [3.100]	31	64	3-102396-0
OBSOLETE	78.74 [3.100]	76.20 [3.000]	30	62	<del>2-102396-9</del>
	76.20 [3.000]	73.66 [2.900]	29	60	2-102396-8
OBSOLETE	73.66 [2.900]	71.12 [2.800]	28	58	<del>2-102396-7</del>
OBSOLETE	71.12 [2.800]	68.58 [2.700]	27	56	<del>2-102396-6</del>
OBSOLETE	68.58 [2.700]	66.04 [2.600]	26	54	<del>2-102396-5</del>
OBSOLETE	66.04 [2.600]	63.50 [2.500]	25	52	<del>2-102396-4</del>
	63.50 [2.500]	60.96 [2.400]	24	50	2-102396-3
OBSOLETE	60.96 [2.400]	58.42 [2.300]	23	48	<del>2-102396-2</del>
OBSOLETE	58.42 [2.300]	55.88 [2.200]	22	46	<del>2-102396-1</del>
OBSOLETE	55.88 [2.200]	53.34 [2.100]	21	44	<del>2-102396-0</del>
OBSOLETE	53.34 [2.100]	50.80 [2.000]	20	42	<del>1-102396-9</del>
	50.80 [2.000]	48.26 [1.900]	19	40	1-102396-8
OBSOLETE	48.26 [1.900]	45.72 [1.800]	18	38	<del>1-102396-7</del>
OBSOLETE	45.72 [1.800]	43.18 [1.700]	17	36	<del>1-102396-6</del>
	43.18 [1.700]	40.64 [1.600]	16	34	1-102396-5
	40.64 [1.600]	38.10 [1.500]	15	32	1-102396-4
	38.10 [1.500]	35.56 [1.400]	14	30	1-102396-3
	35.56 [1.400]	33.02 [1.300]	13	28	1-102396-2
	33.02 [1.300]	30.48 [1.200]	12	26	1-102396-1
	30.48 [1.200]	27.94 [1.100]	11	24	1-102396-0
	27.94 [1.100]	25.40 [1.000]	10	22	102396-9
	25.40 [1.000]	22.86 [.900]	9	20	102396-8
	22.86 [.900]	20.32 [.800]	8	18	102396-7
	20.32 [.800]	17.78 [.700]	7	16	102396-6
	17.78 [.700]	15.24 [.600]	6	14	102396-5
	15.24 [.600]	12.70 [.500]	5	12	102396-4
	12.70 [.500]	10.16 [.400]	4	10	102396-3
	10.16 [.400]	7.62 [.300]	3	8	102396-2
	7.62 [.300]	5.08 [.200]	2	6	102396-1
	C	B	A	REF $\triangle 1$ NO OF POSN	PART NUMBER

THIS DRAWING IS A CONTROLLED DOCUMENT.

DWN E. BRANDBERG 13SEP94  
 CHK J. HERRINGTON 13SEP94  
 APVD J. HERRINGTON 13SEP94

TE Connectivity

COVER  
 MASS TERMINATION AMPMODU  
 2.54 [.100] CL

SIZE A2 CAGE CODE 00779 DRAWING NO C=102396 RESTRICTED TO -

MATERIAL FLAME RETARDANT THERMOPLASTIC, COLOR - BLACK FINISH - WEIGHT - CUSTOMER DRAWING SCALE 5:1 SHEET 1 OF 1 REV L

# Mouser Electronics

Authorized Distributor

Click to View Pricing, Inventory, Delivery & Lifecycle Information:

[TE Connectivity:](#)

[1-102396-0](#)