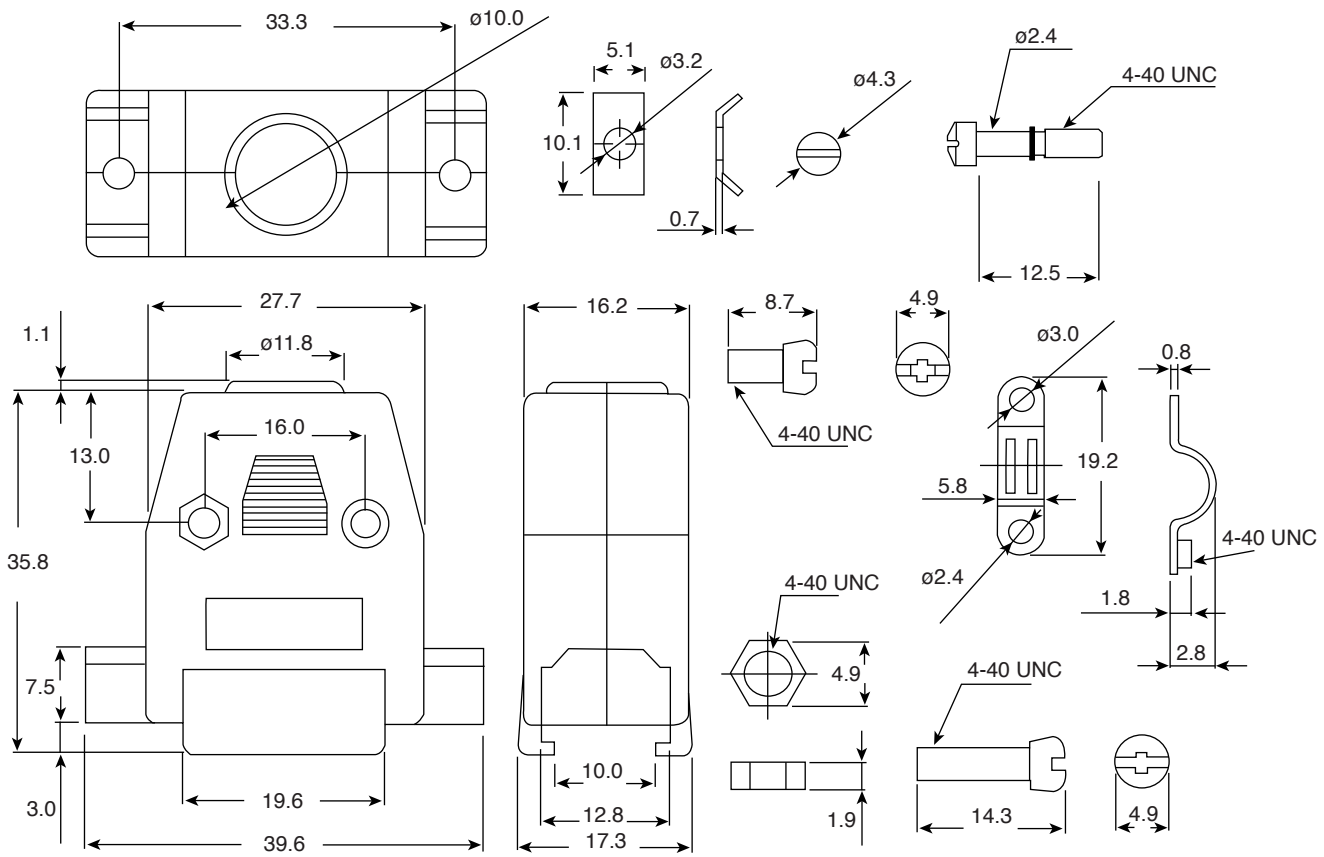


Metallized Plastic Hood

156-3015-EX



Metallized Plastic Hood



Dimensions: mm.

SPECIFICATIONS	
Type:	Plastic Metallized Locking Hood, RFI/EMI Shielded, Straight Cable Exit
Material:	Nickel over copper plating
Shell:	Size DB15
Tolerance:	± .004
Mate:	Designed to fit our 152 and 156 connectors
RoHS Compliant by Exemption	

Date Last Revised: 7-6-16

Available from Mouser Electronics
1-800-346-6873 / www.mouser.com

KC-301361

156-3015-EX

Mouser Electronics

Authorized Distributor

Click to View Pricing, Inventory, Delivery & Lifecycle Information:

[Kobiconn:](#)

[156-3015-EX](#)