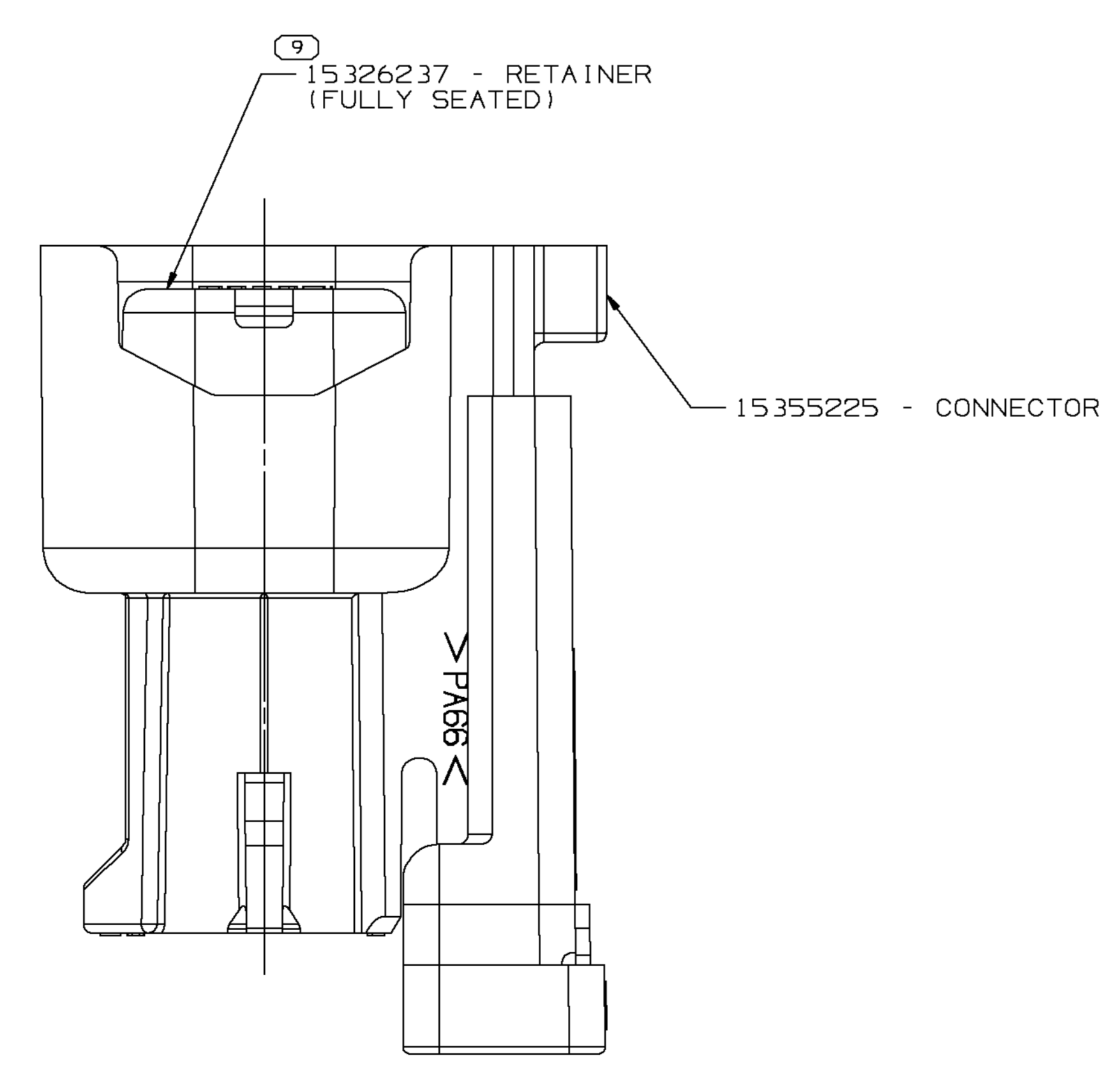
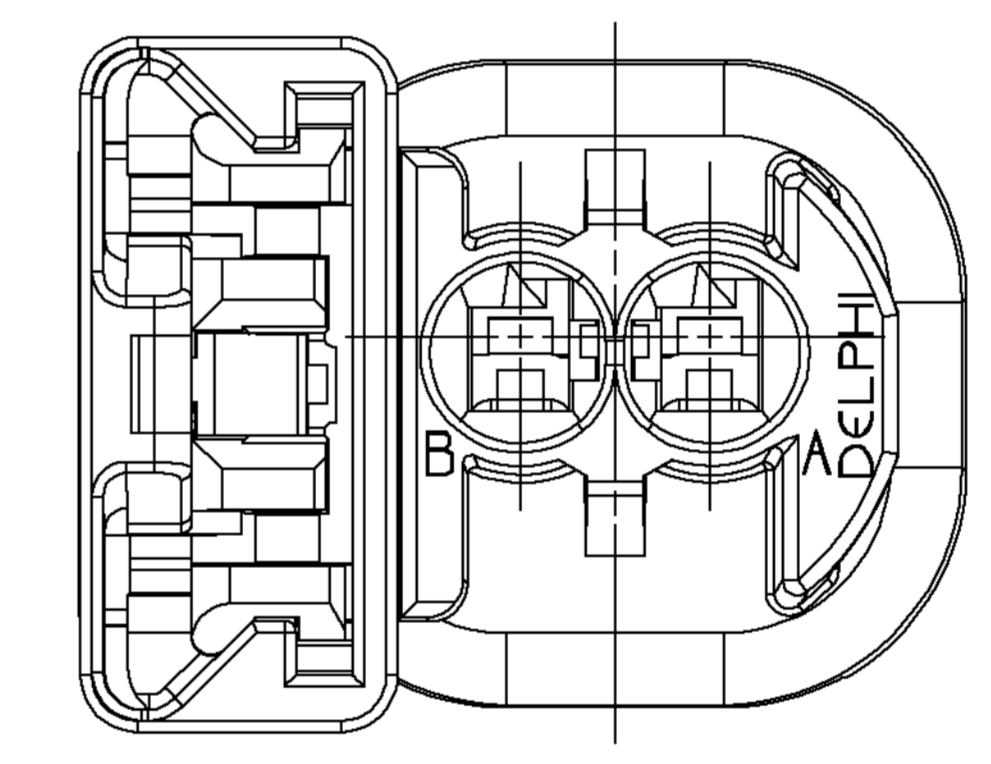
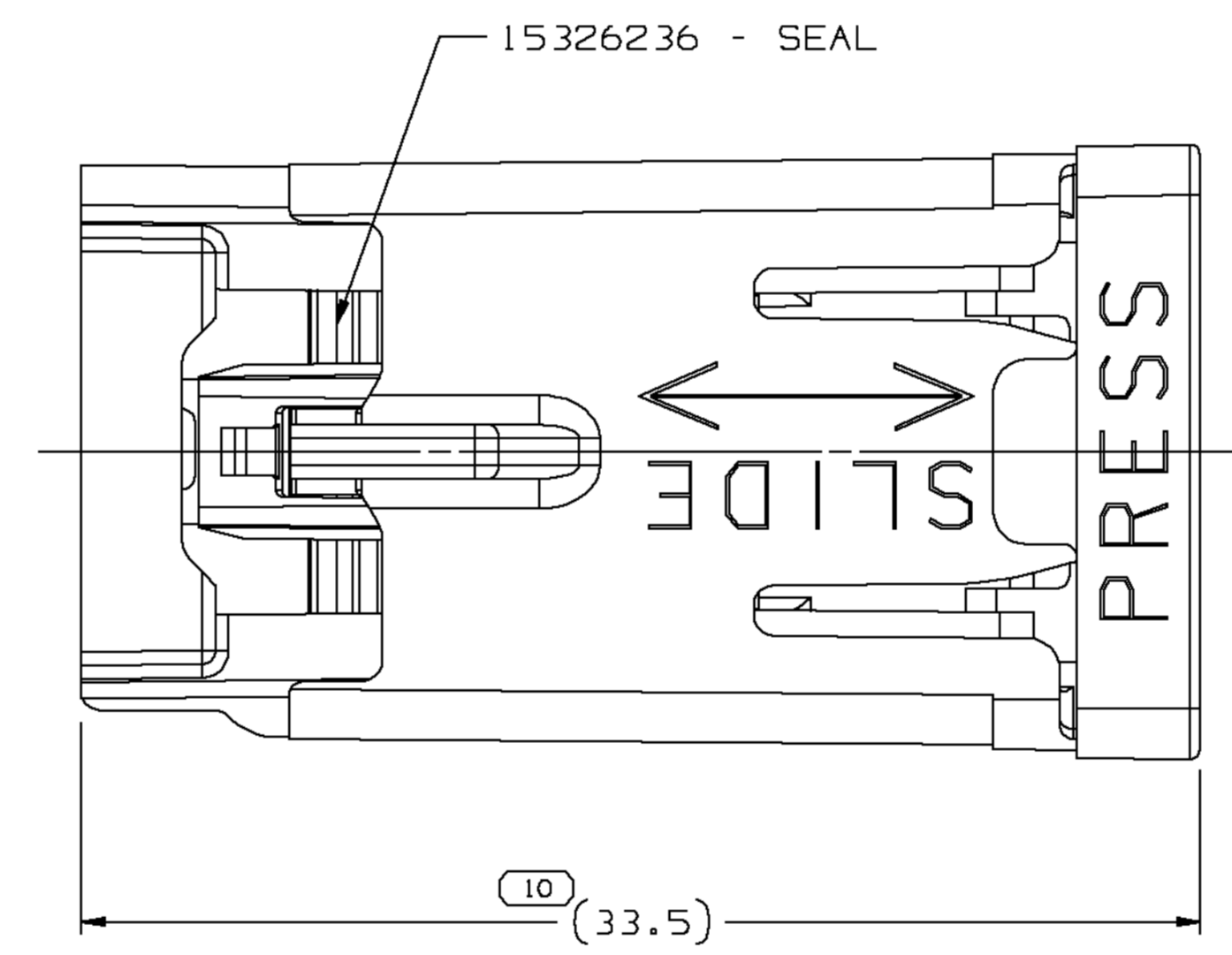
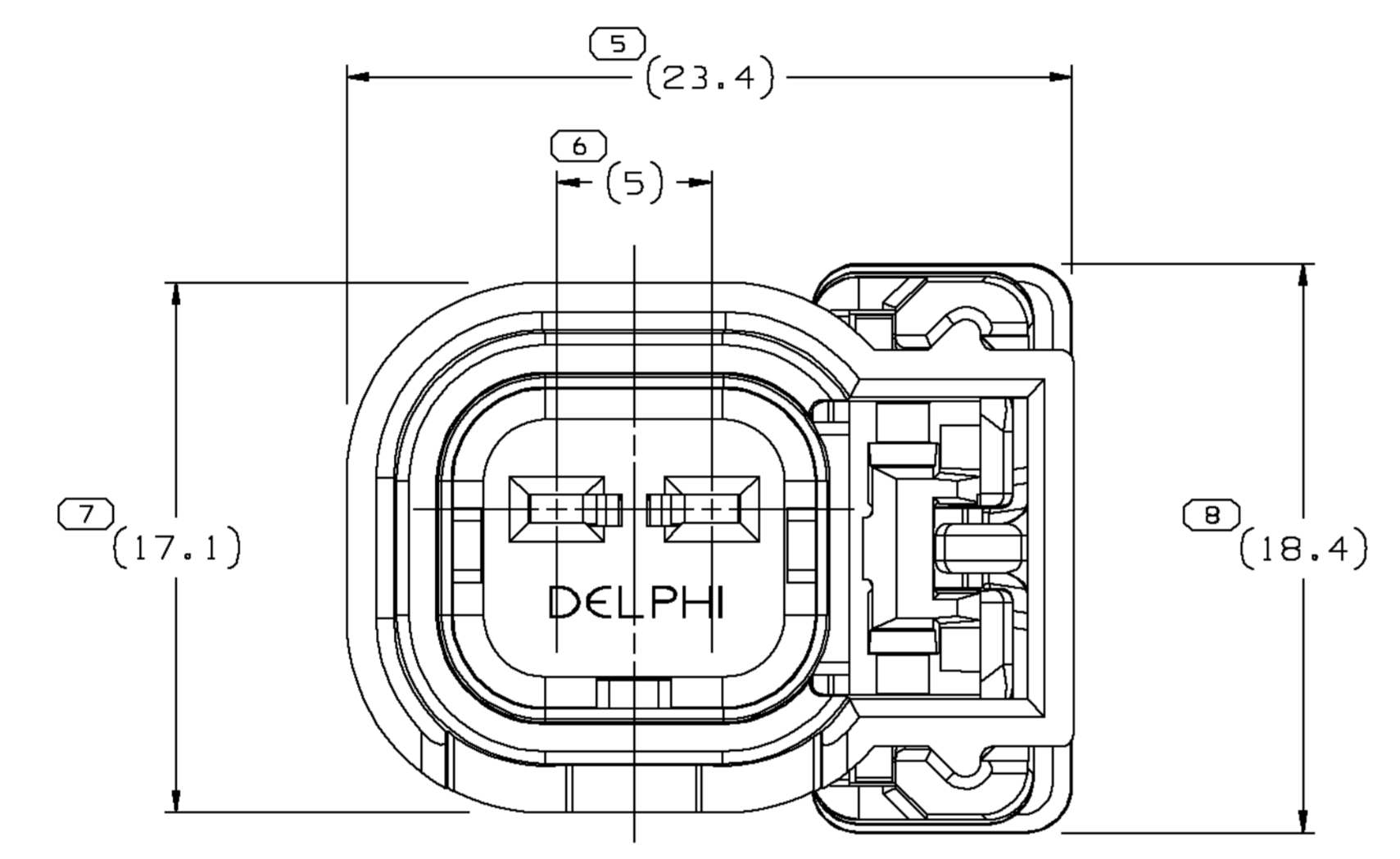
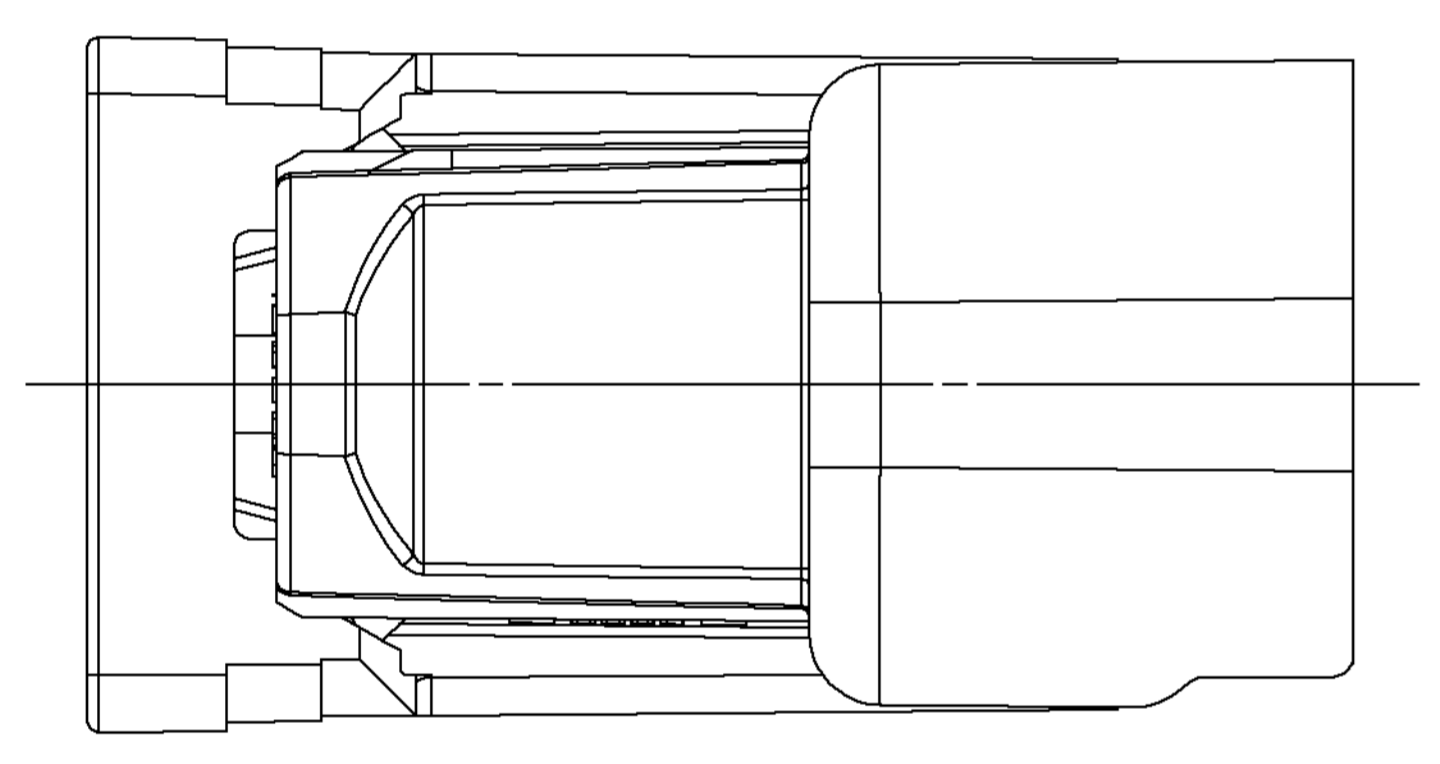
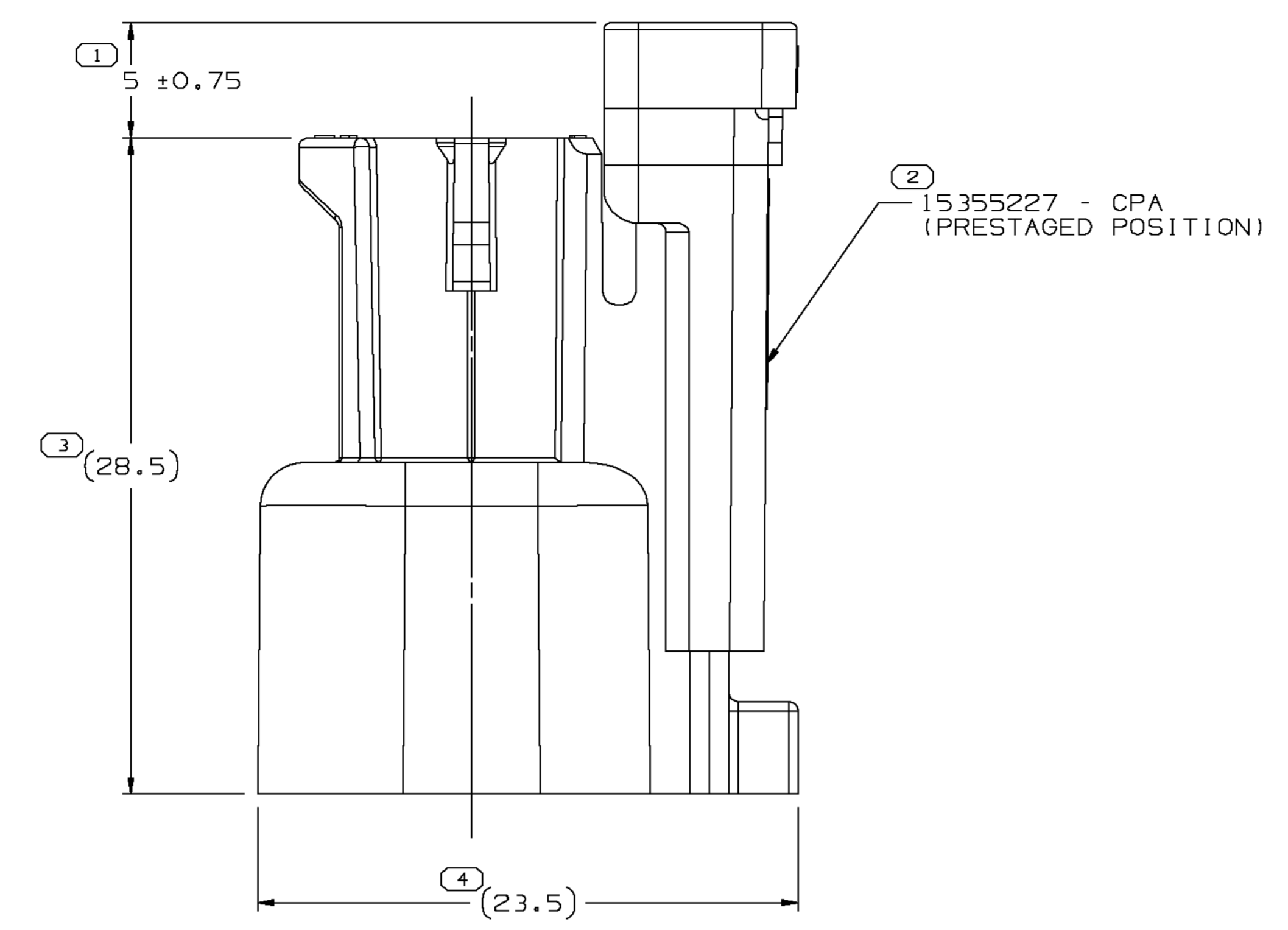


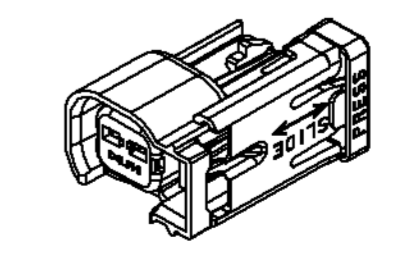
SYMBOL DEFINITION		MISSING NUMBERS	
THE NUMBER INSIDE THE SYMBOL CORRESPONDS TO THE NUMBER ON THE INSPECTION REPORT FOR THIS DRAWING/PART NUMBER	TOTAL NO. OF SYMBOLS ON DRAWING	10	
	LAST NO. USED	10	

DWG STATUS					REVISION HISTORY			AUTH	DR	CK	APVD
DATE	STG	REV	CHG	N/P	ZONE						
16MR99	R	001	-	-		RELEASED		990005	EVV	GGI	RF
29SE99	R	002	-	-		REVISED GRAPHICS		196689	RGV	FKV	RF
01MR02	R	003	-	-		REVISED GRAPHICS		221916	TLD	TLD	RF



NOTES

- UNLESS OTHERWISE SPECIFIED AND/OR INDICATED: DIMENSIONS ARE TO FACE OF VIEW SHOWN AND AUTOMATICALLY ROUNDED BY COMPUTER FOR INSPECTION. (SEE MATH MODEL FOR PRECISE DIMENSIONS.) FOR ALL OTHER DIMENSIONS NOT SHOWN BUT REQUIRED FOR TOOL BUILD, SEE MATH MODEL FOR PRECISE TOOL PATH DATA.
- CAVITIES TO ACCEPT 12176636 TERMINAL WITH 12176807 CABLE SEAL & 15326238 TPA OR EQUIVALENT.
- PART MATES TO BOSCH EV6 FUEL INJECTOR OR EQUIVALENT.
- PARTS ARE TO BE ASSEMBLED WITH THE SEAL AND RETAINER IN PLACE AND THE CPA IN THE PRE-STAGE POSITION.
- PARTS ARE TO BE PACKAGED IN PROTECTIVE CONTAINERS WITH PLASTIC LINING TO AVOID ENTRY OF FOREIGN MATTER.
- MATING PART CONFIGURATION DRAWING - 15354900.



DELPHI Automotive Systems			
MATERIAL SPEC SEE DRAWING			
SUBSTANCES OF CONCERN AND RECYCLED CONTENT PER DELPHI-A 10949001			
PART DRAWING			DISTR CODE D
CODE NUMBER 6900	DWG DATE 16MR99	SCALE 5:1	
OC SPEC	STYLE	VOLUME cm ³	
PART GEOMETRY 3D SOLID	UNLESS OTHERWISE SPECIFIED: THIS DOCUMENT IS IN ACCORDANCE WITH ASME Y14.5M - 1994 AS AMENDED BY THE GM GLOBAL DIMENSIONING AND TOLERANCING ADDENDUM - 1997. ALL GEOMETRIC TOLERANCES AND RELATED DATUMS APPLY RFS. RULE #1 (PERFECT FORM AT MMC) DOES NOT APPLY WHEN RELATIONSHIP BETWEEN FEATURES IS ESTABLISHED BY ORIENTATION OR LOCATION TOLERANCES. SEPARATE POSITION CALLOUTS MAY BE GAGED SEPARATELY REGARDLESS OF DATUM REFERENCES.		
CHANGE RESTRICTED NO MANUAL CHANGES	REFERENCE 001	DR APVD1 ELIAS VAZQUEZ V. APVD2 G. G. IZQUIERDO APVD3 APVD4 APVD5	DATE 16MR99 23MR99
COPY OF MATH DATA DO NOT SCALE	DRAWING NAME ASM CONN 2F M/P 150 TNGLS SLD		
METRIC UNLESS OTHERWISE SPECIFIED, ALL DIMENSIONS ARE IN MILLIMETERS			
THIRD ANGLE PROJECTION			
SHEET NUMBER 1 OF 1		DRAWING NUMBER 15355226	
DWG STATUS R 003		SIZE -	

DIMENSIONAL RANGE (MM)		CHART E1	
FROM	TO	±	±
0	> 20	0.15	0.2
> 20	> 30	0.2	0.3
> 30	> 70	0.3	0.4
> 70	> 100	0.4	0.5
> 100	> 150	0.5	0.6
> 150	> 200	0.6	0.8
> 200	> 250	0.8	1.0
> 250	> 300	1.0	1.2
> 300	> 400	1.2	1.5

THE DIMENSION NUMBER(S) SHOWN BELOW INDICATE DIMENSIONS THAT ARE PROCESS SENSITIVE FOR PART PRODUCTION

DIMENSIONS ENCLOSED IN () INDICATE REFERENCE DIMENSIONS AND NO TOLERANCE LIMITS ARE ESTABLISHED

Mouser Electronics

Authorized Distributor

Click to View Pricing, Inventory, Delivery & Lifecycle Information:

[Aptiv:](#)

[15355226](#)