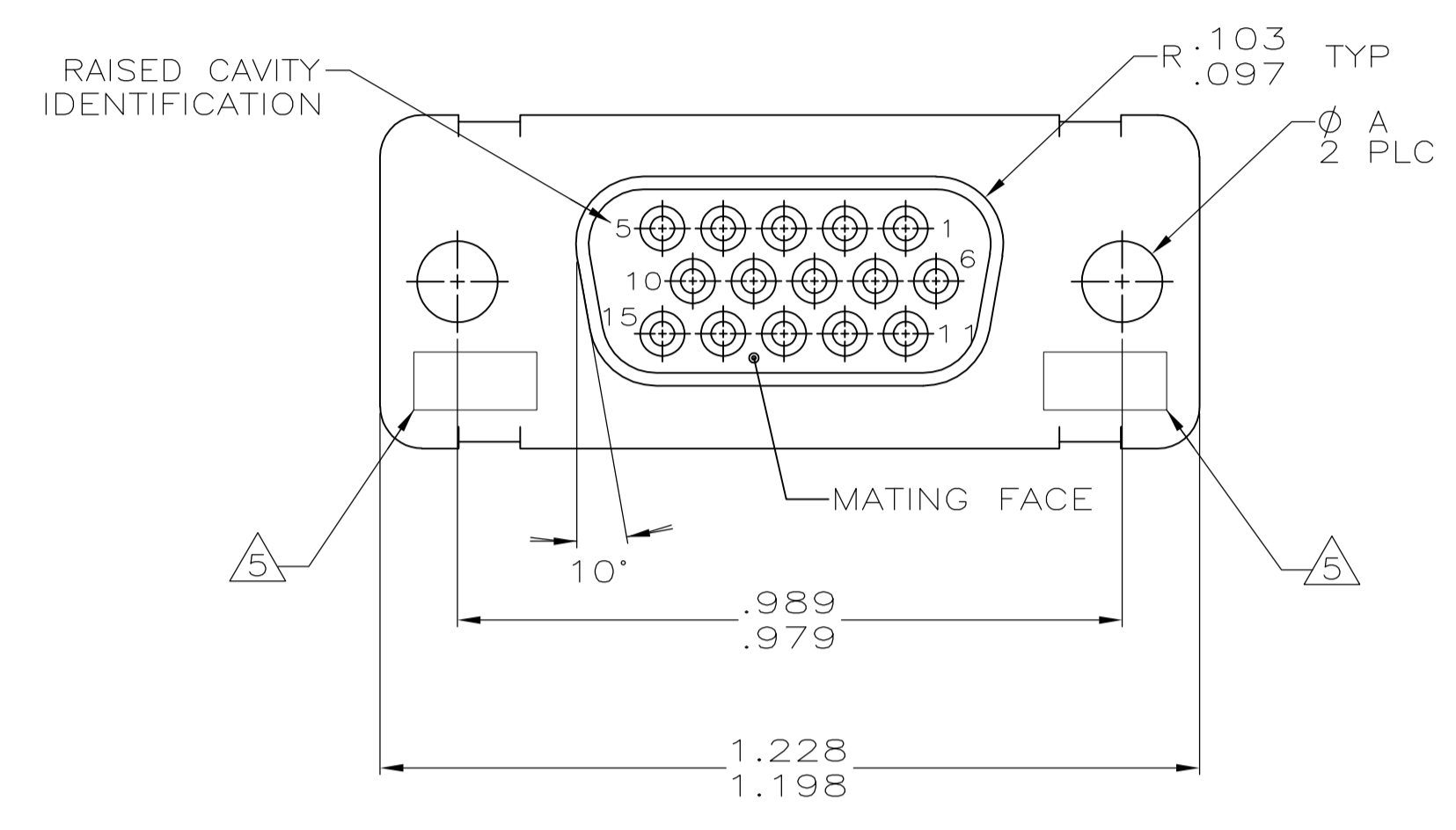
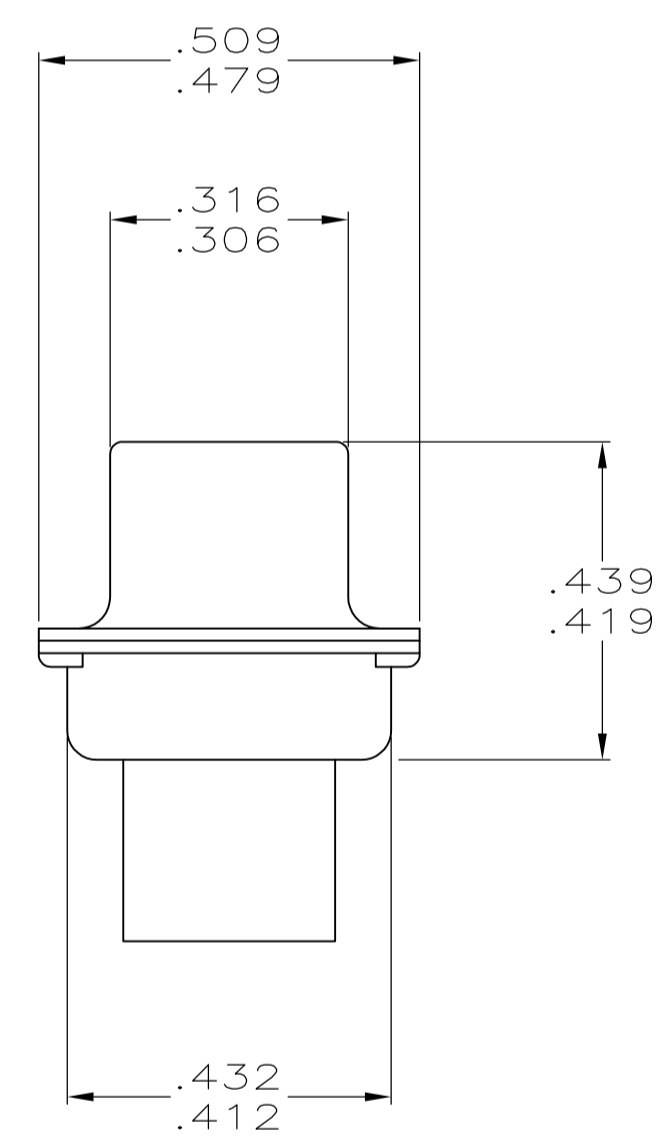
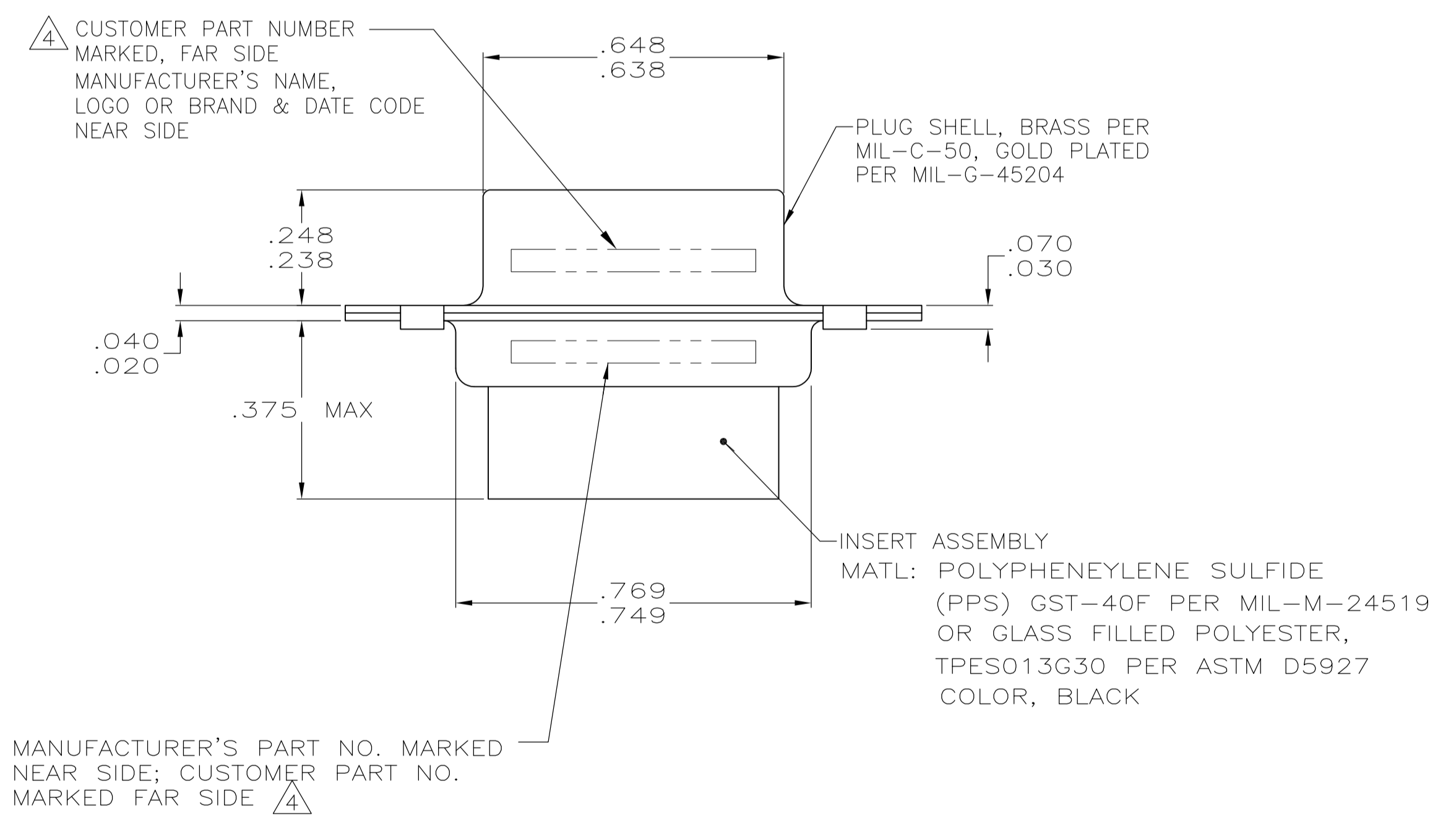


| LOC |             | DIST        |         | REVISIONS |      |  |  |
|-----|-------------|-------------|---------|-----------|------|--|--|
| P   | LTR         | DESCRIPTION | DATE    | DN        | APVD |  |  |
| AA  | REV PER ECO | 15-016064   | 11-9-15 | CT        | CD   |  |  |



- THIS RECEPTACLE WILL MATE WITH ANY PLUG CONNECTOR WITH THE SAME INSERT ARRANGEMENT AS DEFINED BY MS18273-2.
  - MAXIMUM WIRE INSULATION TO BE USED WITH THIS RECEPTACLE IS .054 DIA.
  - BE. CU. RETENTION CLIPS ARE INCLUDED IN INSERTS.
- △ CUSTOMER PART NUMBER MAY BE SPLIT BETWEEN FRONT AND REAR SHELL, SAME SIDE.
  - △ UL/CSA DESIGNATION STAMPED IN THIS AREA, OPTIONAL.
  - △ INSPECTION REQUIREMENTS PER R4383.
  - △ CONNECTOR SUPPLIED WITH 17 CONTACTS, AMP PART NUMBER 206071-1. INSPECTION REQUIREMENTS PER R4383.
  - △ CONNECTOR SUPPLIED WITH 25 CONTACTS, AMP PART NUMBER 206071-1. INSPECTION REQUIREMENTS PER R4383.
  - △ THESE CONNECTORS ARE QUALIFIED TO GODDARD SPACE FLIGHT CENTER SPECIFICATIONS S-311-P-4.
  - △ 10 RESTRICTED TO CAE ELECTRONICS ONLY.



AMP P/N 206071-1  
GSFC P/N G-08-S1  
(SUPPLIED WITH 206064-6 AND 206064-7 ONLY)

| SIZE | REMARKS  | CUSTOMER P/N    | MARKED AMP P/N | PART NO    |
|------|----------|-----------------|----------------|------------|
| .120 |          | 570566-1        | 1-206499-0     | 1-206499-0 |
| .154 | △ 10 △ 9 | 311P407-1S-B-15 | 206499-1       | 206499-9   |
| .120 | △ 10 △ 9 | 311P407-1S-B-12 | 206499-4       | 206499-8   |
| .120 | △ 8      | 20025720P1015S  | 206499-7       | 206499-7   |
| .120 | △ 7      | R4383 P15S      | 206499-6       | 206499-6   |
| .120 | △ 6      | R4383 P15S-2    | 206499-5       | 206499-5   |
| .120 | △ 9      | 311P407-1S-B-12 | 206499-4       | 206499-4   |
| .154 |          | ----            | 206499-3       | 206499-3   |
| .120 |          | R9259P15S       | 206499-2       | 206499-2   |
| .154 | △ 9      | 311P407-1S-B-15 | 206499-1       | 206499-1   |
| Ø A  |          |                 |                |            |

MANUFACTURER'S PART NO. MARKED NEAR SIDE; CUSTOMER PART NO. MARKED FAR SIDE △

THIS DRAWING IS A CONTROLLED DOCUMENT. DIMENSIONING AND TOLERANCING PER ASME Y14.5M (ISO STANDARDS). DIMENSIONS: INCHES. TOLERANCES UNLESS OTHERWISE SPECIFIED: 0 PLC ± .005, 1 PLC ± .005, 2 PLC ± .005, 3 PLC ± .005, 4 PLC ± .005, ANGLES ± .005.

DATE: 02OCT2006  
BY: P. YEAGER  
CHK: D. MILLER  
APP'D: D. MILLER  
PRODUCT SPEC: RECEPTACLE FOR SOCKET CONTACTS HIGH DENSITY D, 15 POSN, SIZE 1 NONMAGNETIC

SIZE: A1  
SCALE: 4:1  
SHEET: 1 OF 1  
REV: AA

# Mouser Electronics

Authorized Distributor

Click to View Pricing, Inventory, Delivery & Lifecycle Information:

[TE Connectivity:](#)

[206499-1](#)