

1

2

3

4

5

6

7

A

B

C

D

E

F

G

H

A

B

C

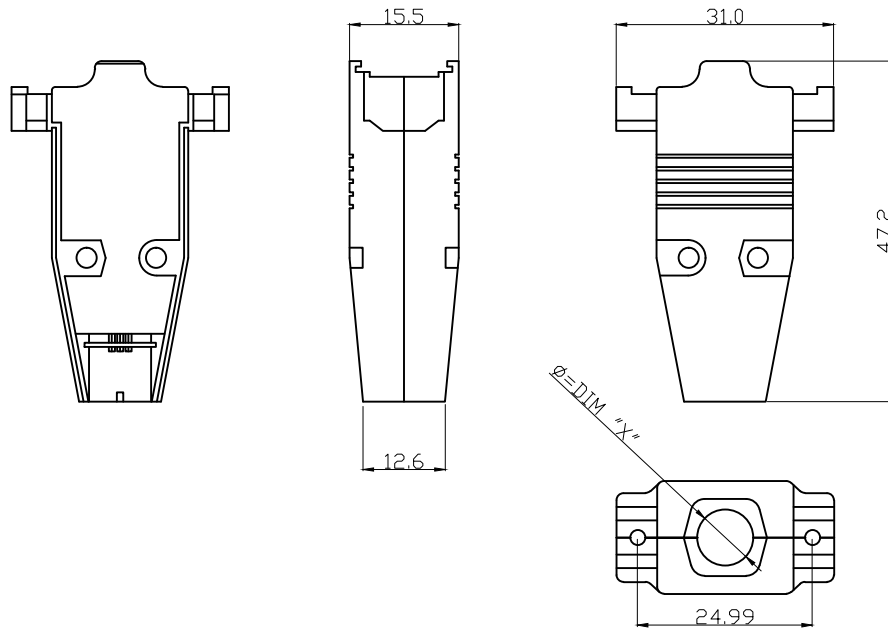
D

E

F

G

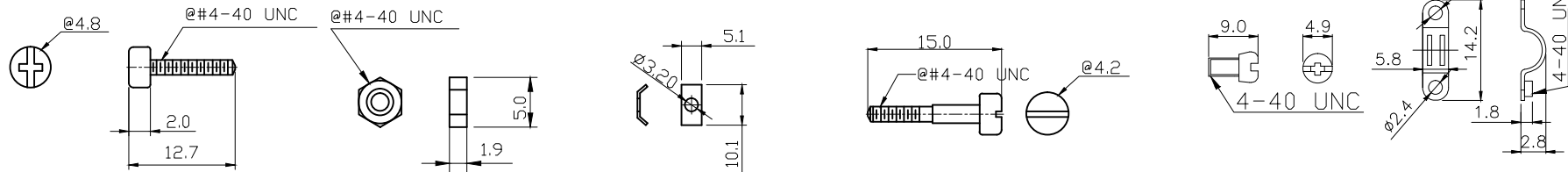
H



NOTE:

1. MATERIAL: zinc alloy
2. FINISHED: chromate plated
3. Contact No. : 09 Poles
4. CABLE ENTRY SIZE:
DIMENSION OF "X"=7.0mm
5. PARTS OPTION: SHORT SCREW

AGP 09 G-METALL



⑤ Short screw and Clip

RoHS compliant

Scale	1:1	Date	07.12.2007	Name	Ken	Customer-No.	
TOLERANCE							
X.	±0.5	⑤ Add dim. of Clip and short screw	12.12.2018	Xavier	Drawn		
X.X	±0.3	④ Add the 50 poles	09.01.2015	Winnie	Approved		
X.XX	±0.2	③ Modify dimension X	25.11.2009	Dean			
DIM	TOL	② Update	03.11.2009	Dean			
Angle	±5°	① Drawn	07.12.2007	Ken			
		Id.	Modification	Date	Name		

ASSMANN
WSW components

Drawing-No.

ASS 0464 CO

rev05

Replace

Sheet
1/5

1

2

3

4

5

6

7

1

2

3

4

5

6

7

A

A

B

B

C

C

D

D

E

E

F

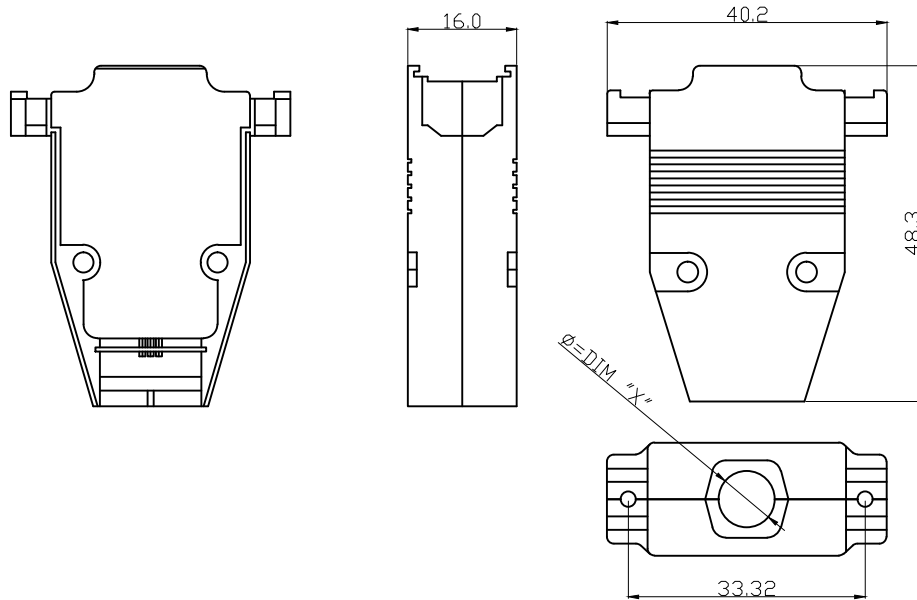
F

G

G

H

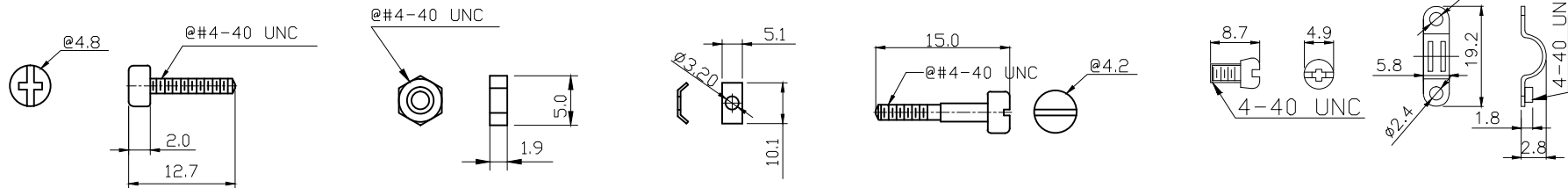
H



NOTE:


1. MATERIAL: zinc alloy
2. FINISHED: chromate plated
3. Contact No. : 15 Poles
4. CABLE ENTRY SIZE:
DIMENSION OF "X"=10.0mm
5. PARTS OPTION: SHORT SCREW

AGP 15 G-METAL



⑤ Short screw and Clip

RoHS compliant

Scale	1:1	Date	07.12.2007	Name	Ken	Customer-No.	
TOLERANCE							
X.	±0.5	⑤ Add dim. of Clip and short screw	12.12.2018	Xavier	Drawn		
X.X	±0.3	④ Add the 50 poles	09.01.2015	Winnie	Approved		
X.XX	±0.2	③ Modify dimension X	25.11.2009	Dean			
DIM	TOL	② Update	03.11.2009	Dean			
Angle	±5°	① Drawn	07.12.2007	Ken			
		Id.	Modification	Date			

Customer-No.

ASSMANN WSW-No.
AGP xx G-METAL

Drawing-No.
ASS 0464 CO

Replace

rev05
Sheet 2/5

1

2

3

4

5

6

7

1

2

3

4

5

6

7

A

B

C

D

E

F

G

H

A

B

C

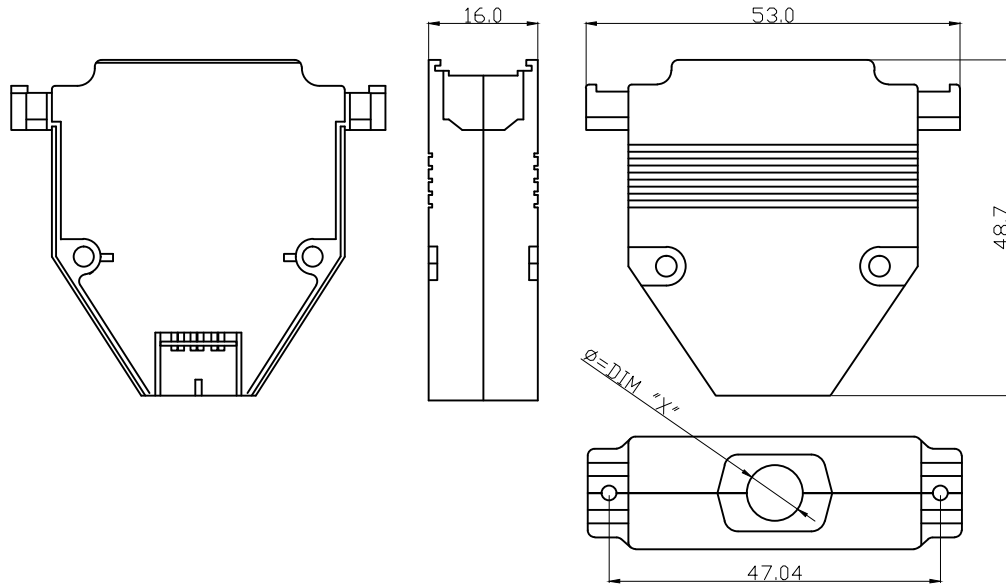
D

E

F

G

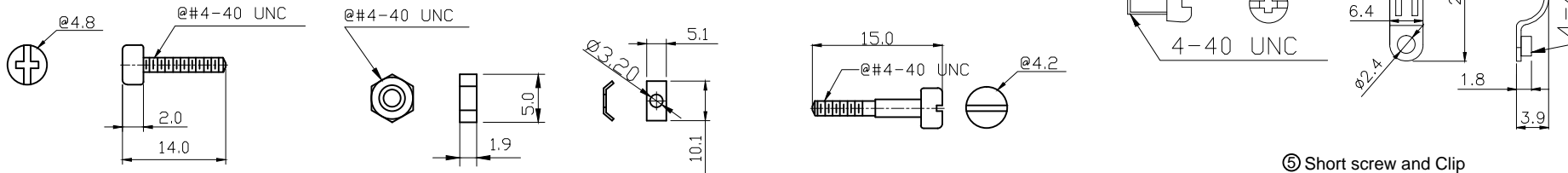
H



NOTE:

- 1. MATERIAL: zinc alloy
- 2. FINISHED: chromate plated
- 3. Contact No. : 25 Poles
- 4. CABLE ENTRY SIZE:
DIMENSION OF "X" =10.0mm
- 5. PARTS OPTION: SHORT SCREW

AGP 25 G-METAL



⑤ Short screw and Clip

RoHS compliant

Scale	1:1	Date	07.12.2007	Name	Ken	Customer-No.	
TOLERANCE							
X.	±0.5	⑤ Add dim. of Clip and short screw	12.12.2018	Xavier	Drawn		
X.X	±0.3	④ Add the 50 poles	09.01.2015	Winnie	Approved		
X.XX	±0.2	③ Modify dimension X	25.11.2009	Dean			
DIM	TOL	② Update	03.11.2009	Dean			
Angle	±5°	① Drawn	07.12.2007	Ken			
		Id.	Modification	Date	Name		



ASSMANN WSW-No.
AGP xx G-METAL

Drawing-No.
ASS 0464 CO rev05

Replace Sheet 3/5

1

2

3

4

5

6

7

1

2

3

4

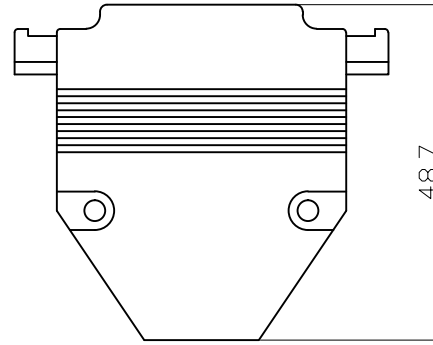
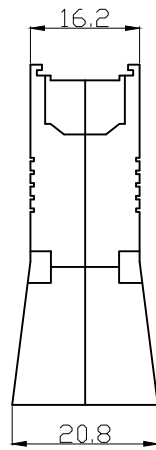
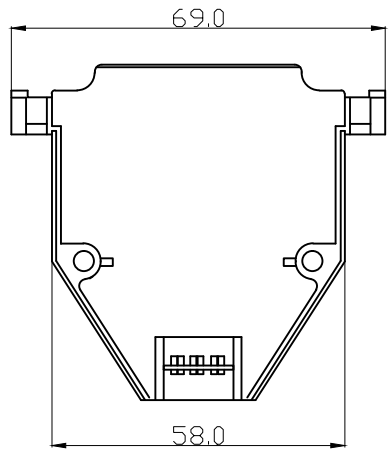
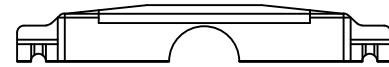
5

6

7

A

A



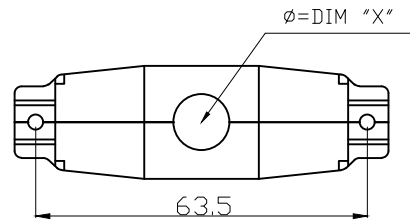
NOTE:

1. MATERIAL: zinc alloy
2. FINISHED: chromate plated
3. Contact No. : 37 Poles
4. CABLE ENTRY SIZE:
DIMENSION OF "X" =14.0mm

AGP 37 G-METAL

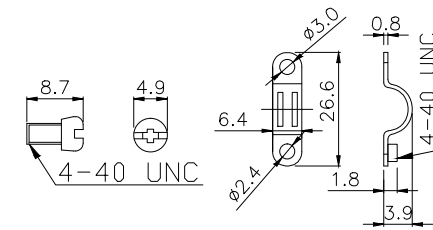
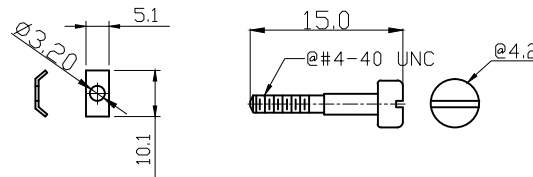
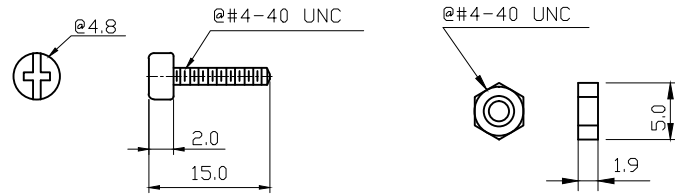
D

D



E

E




⑤ Short screw and Clip

F

F

RoHS compliant

Scale	1:1	Date	07.12.2007	Name	Ken	Customer-No.	
TOLERANCE							
X.	±0.5	⑤ Add dim. of Clip and short screw	12.12.2018	Xavier	Drawn		
X.X	±0.3	④ Add the 50 poles	09.01.2015	Winnie	Approved		
X.XX	±0.2	③ Modify dimension X	25.11.2009	Dean			
DIM	TOL	② Update	03.11.2009	Dean			
Angle	±5°	① Drawn	07.12.2007	Ken			
		Id.	Modification	Date	Name		

Customer-No.

ASSMANN WSW-No.

AGP xx G-METAL

Drawing-No.

ASS 0464 CO

rev05

Replace

Sheet
4/5

H

H

1

2

3

4

5

6

7

1

2

3

4

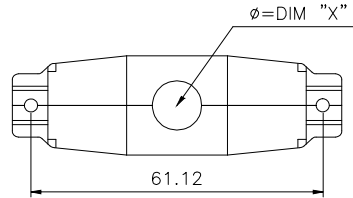
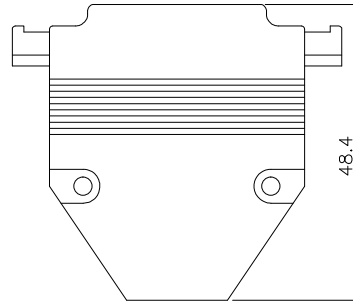
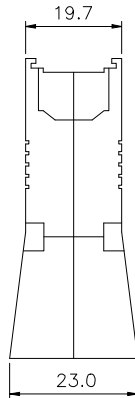
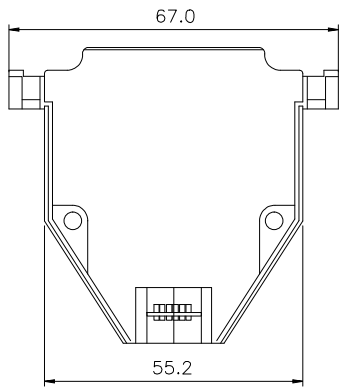
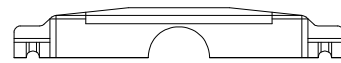
5

6

7

A

A



NOTE:

1. MATERIAL: zinc alloy
2. FINISHED: chromate plated
3. Contact No. : 50 Poles
4. CABLE ENTRY SIZE:
DIMENSION OF "X" =14.5mm

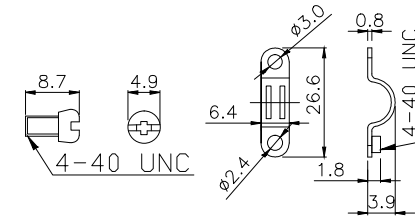
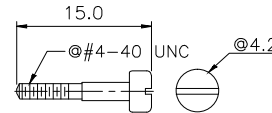
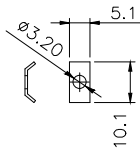
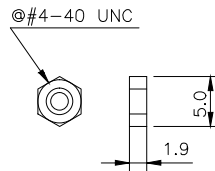
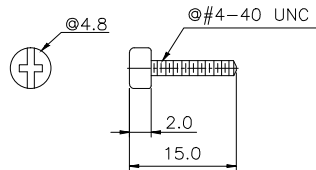
AGP 50 G-METAL

D

D

E

E



⑤ Short screw and Clip

F

F

RoHS compliant

Scale	1:1	Date	07.12.2007	Name	Ken	Customer-No.	
TOLERANCE							
X.	± 0.5	⑤ Add dim. of Clip and short screw	12.12.2018	Xavier	Drawn		
X.X	± 0.3	④ Add the 50 poles	09.01.2015	Winnie	Approved		
X.XX	± 0.2	③ Modify dimension X	25.11.2009	Dean			
DIM	TOL	② Update	03.11.2009	Dean			
Angle	$\pm 5^\circ$	① Drawn	07.12.2007	Ken			
		Id.	Modification	Date	Name		

ASSMANN
WSW components

Drawing-No.	ASS 0464 CO	rev	05
Replace		Sheet	5/5

H

H

1

2

3

4

5

6

7