

## Loop-powered isolators - MCR-SL-1CLP-I-I-00-4KV - 2814841

Please be informed that the data shown in this PDF Document is generated from our Online Catalog. Please find the complete data in the user's documentation. Our General Terms of Use for Downloads are valid (<http://phoenixcontact.com/download>)



MCR loop-powered isolator for the electrical isolation of current signals without auxiliary power, input signal: 0(4) ... 20 mA, output signal: 0(4) ... 20 mA

### Your advantages

- 0/4  
20 mA current signals
- Electrical isolation without additional auxiliary voltage
- Safe isolation



### Key Commercial Data

Packing unit	1 pc
GTIN	
GTIN	4017918190804

### Technical data

#### Dimensions

Width	12.5 mm
Height	99 mm
Depth	114.5 mm

#### Ambient conditions

Ambient temperature (operation)	-10 °C ... 70 °C
---------------------------------	------------------

#### Input data

Description of the input	Current input
Number of inputs	1
Configurable/programmable	no
Current input signal	0 mA ... 20 mA
	4 mA ... 20 mA
max. input voltage	30 V (30 V overload)

# Loop-powered isolators - MCR-SL-1CLP-I-I-00-4KV - 2814841

## Technical data

### Input data

Max. input current	50 mA (100 mA overload)
Response current	< 50 $\mu$ A
Input voltage limitation	33 V 5 % (with Zener diode)
Voltage dissipation	2.5 V (I = 20 mA)

### Output data

Output name	Current output
Number of outputs	1
Configurable/programmable	no
Current output signal	0 mA ... 20 mA
	4 mA ... 20 mA
Max. output current	< 50 mA
Load/output load current output	$\leq 1375 \Omega$ (at I = 20 mA output signal)
Ripple	< 5 mV (rms)
Transmission Behavior	1:1 to input signal

### Power supply

Supply voltage range	no separate supply voltage necessary
----------------------	--------------------------------------

### Connection data

Connection method	Screw connection
Conductor cross section solid min.	0.2 mm <sup>2</sup>
Conductor cross section solid max.	2.5 mm <sup>2</sup>
Conductor cross section AWG min.	24
Conductor cross section AWG max.	14
Conductor cross section flexible min.	0.2 mm <sup>2</sup>
Conductor cross section flexible max.	2.5 mm <sup>2</sup>
Stripping length	8 mm
Screw thread	M3

### General

No. of channels	1
Maximum transmission error	$\leq 0.1 \%$ (of final value)
Maximum temperature coefficient	$\leq 0.002 \%/K$ (of measured value / 100 $\Omega$ load)
Additional error, load-dependent	0.02 % (of measured value / 100 $\Omega$ load)
Limit frequency (3 dB)	< 75 Hz (at I = 20 mA and maximum load)
Step response (10-90%)	5 ms (with 500 $\Omega$ load)
Overvoltage category	II
Degree of pollution	2
Test voltage input/output	4 kV (50 Hz, 1 min.)
Standards/regulations	DIN EN 61010-1
	VDE 0100-410
	VDE 0106-101

# Loop-powered isolators - MCR-SL-1CLP-I-I-00-4KV - 2814841

## Technical data

### General

Color	green
Housing material	Polyamide PA non-reinforced
Mounting position	any
Conformance	CE-compliant
UL, USA/Canada	cULus

### Standards and Regulations

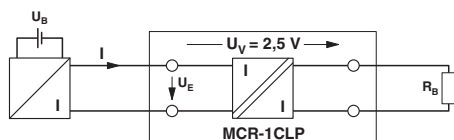
Connection in acc. with standard	CUL
Standards/regulations	DIN EN 61010-1
	VDE 0100-410
	VDE 0106-101
Conformance	CE-compliant
UL, USA/Canada	cULus

### Environmental Product Compliance

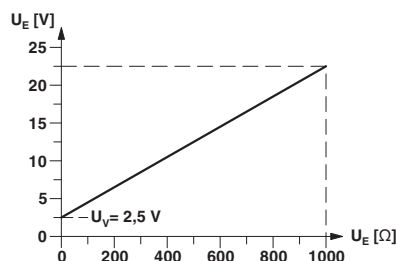
China RoHS	Environmentally Friendly Use Period = 50
	For details about hazardous substances go to tab "Downloads", Category "Manufacturer's declaration"

## Drawings

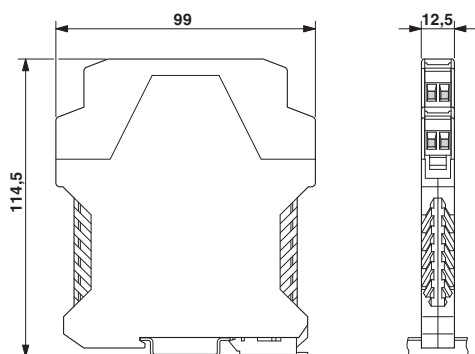
Application drawing



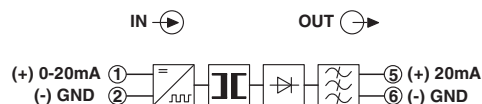
Diagram



Dimensional drawing



Circuit diagram



Phoenix Contact 2018 © - all rights reserved  
<http://www.phoenixcontact.com>

PHOENIX CONTACT GmbH & Co. KG  
Flachsmarktstr. 8  
32825 Blomberg  
Germany  
Tel. +49 5235 300  
Fax +49 5235 3 41200  
<http://www.phoenixcontact.com>

# Mouser Electronics

Authorized Distributor

Click to View Pricing, Inventory, Delivery & Lifecycle Information:

[Phoenix Contact:](#)

[2814841](#)