

bq2022A Evaluation Software

The bq2022A is a 1 K-bit serial EPROM containing a factory-programmed, unique 48-bit identification number, 8-bit CRC generation, and an 8-bit family code. A 64-bit status register controls write protection and page redirection.

The purpose of the evaluation software is to demonstrate the functionality of the bq2022A. The bq2022A evaluation board can be used for one or two ICs.

The bq2022A is ideal for applications such as battery pack configuration parameters, record maintenance, asset tracking, product revision status, and access-code security.

Contents

1	Kit Contents.....	2
2	bq2022A-Based Circuit Module.....	2
3	bq2022A Circuit Module Schematic.....	3
4	Circuit Module Physical Layouts.....	4
5	bq2022A Circuit Module List of Materials.....	8
6	bq2022AEVM Circuit Module Performance Specification Summary.....	8
7	EVM Hardware and Software Setup.....	8
8	Software Operation.....	10

List of Figures

1	EVM Schematic.....	3
2	Silk Screen.....	4
3	EVM Top Assembly.....	5
4	EVM Layer One.....	6
5	EVM Layer Two.....	7
6	ROM CMD Page.....	11
7	DATA Page.....	12

List of Tables

1	Test Points.....	2
2	List of Materials.....	8
3	Performance Specification Summary.....	8
4	Wire Connection.....	9

Trademarks

Microsoft, Windows are registered trademarks of Microsoft Corporation.
All other trademarks are the property of their respective owners.

1 Kit Contents

1. bq2022A, HPA125 revision-B board
2. CD-ROM including Microsoft® Windows® based PC software and support documentation

NOTE: An EV2300 board is required to interface this EVM with the PC and can be purchased separately.
The EV2400 up through at least version 0.18 does not support this EVM.

2 bq2022A-Based Circuit Module

The bq2022A-based circuit module is ideal for programming the 1 K-bit EPROM and the STATUS bytes of the bq2022A IC. The circuit module includes a 3-pin SOT23 dual socket, a bq2022A IC, a Zener diode for host protection during EPROM programming, and a programming circuit that generates a 12-V pulse when used with a power supply and a control signal. In a typical application, only the bq2022A IC and a pullup resistor is required.

2.1 Test Points

Table 1. Test Points

Test Point	SIGNAL NAME	DESCRIPTION
J1-1	VSS	Device ground
J1-2	PROG	Input for timing of EPROM programming pulse
J1-3	SDQ	SDQ single-wire communication bus
J2-1	12V	High voltage for EPROM programming
J2-2	VSS	Programming ground
J3		Connect for EPROM programming

4 Circuit Module Physical Layouts

This section contains the board layout and assembly drawings for the bq2022AEVM circuit module.

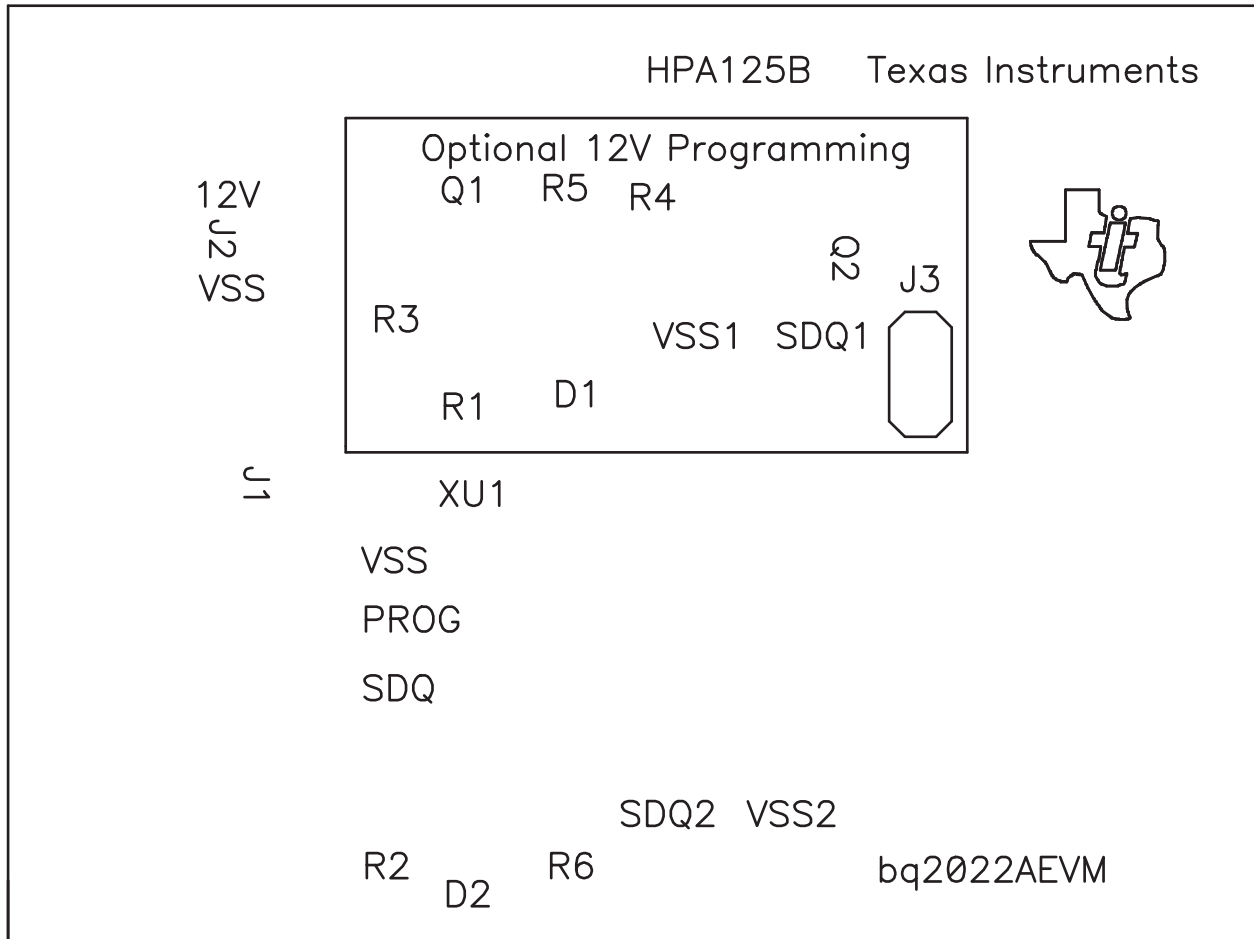


Figure 2. Silk Screen

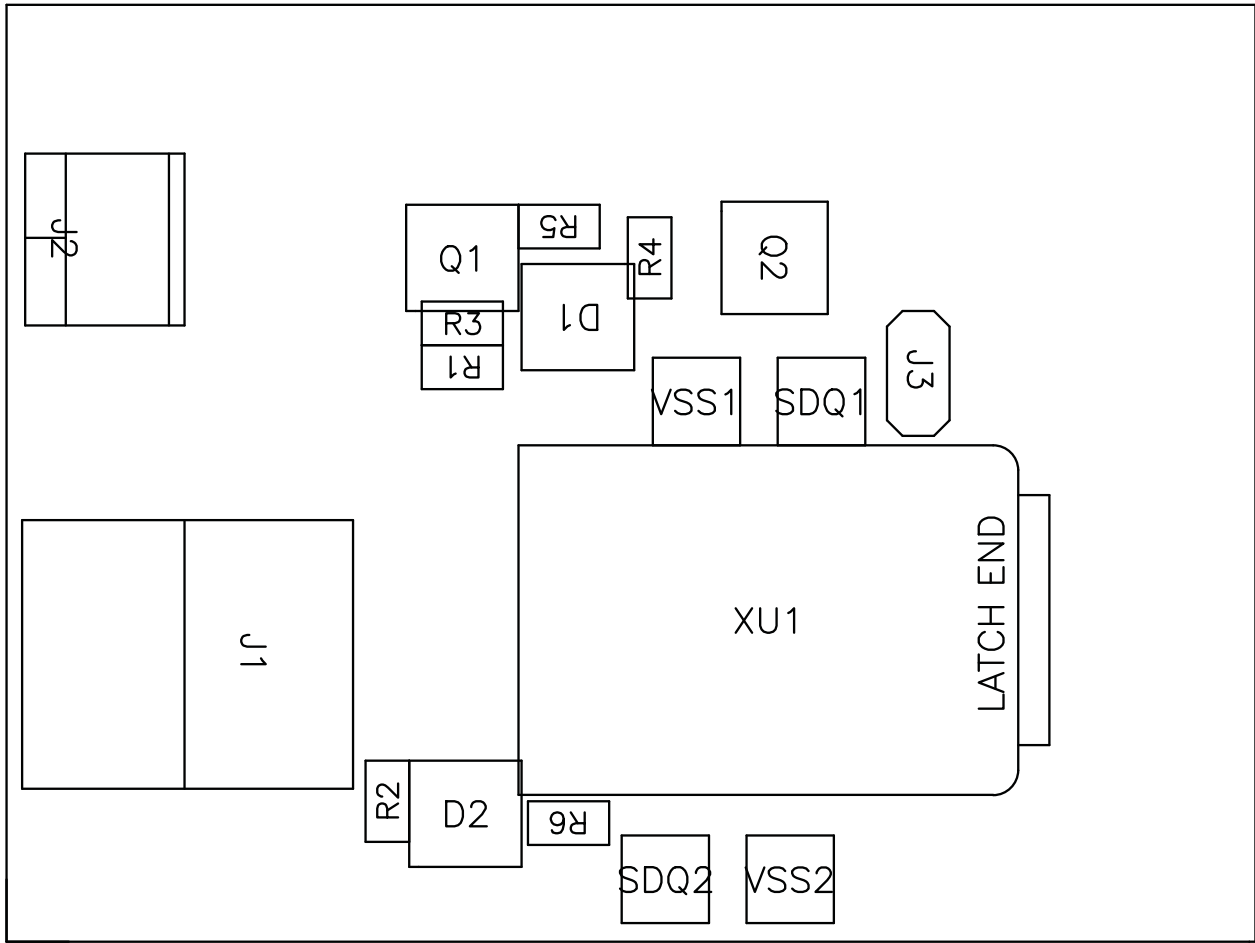


Figure 3. EVM Top Assembly

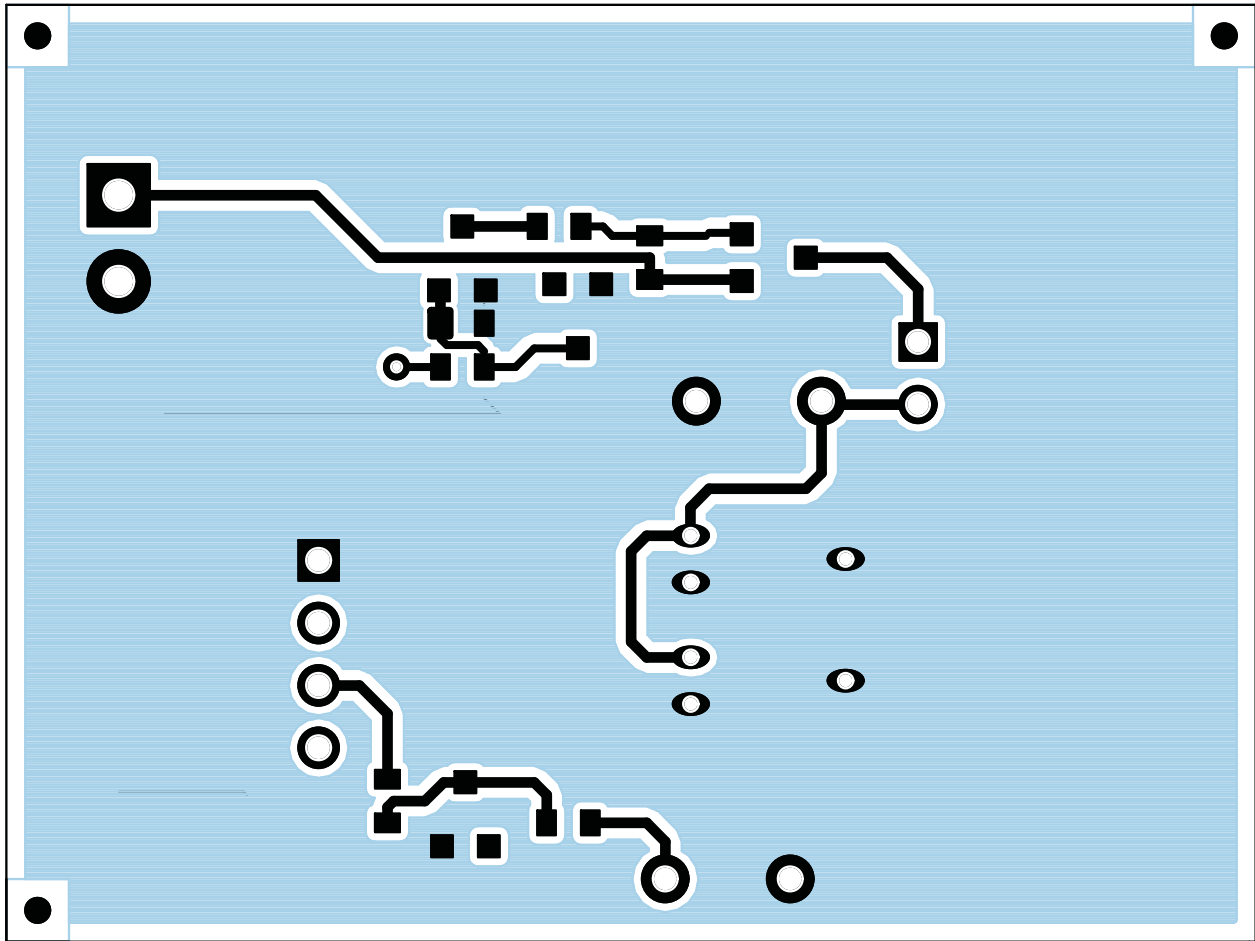


Figure 4. EVM Layer One

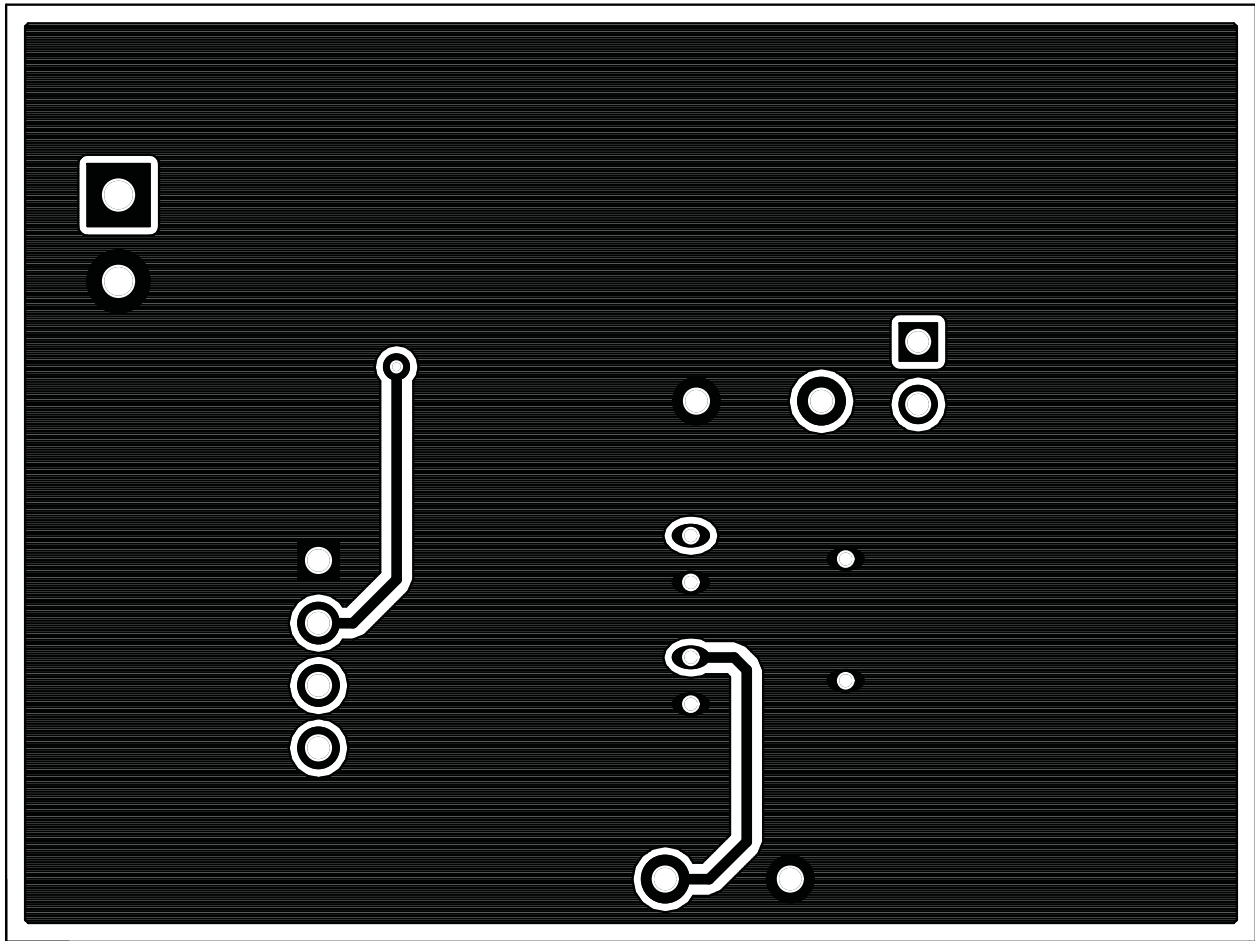


Figure 5. EVM Layer Two

5 bq2022A Circuit Module List of Materials

List of materials required for the bq2022AEVM circuit module.

Table 2. List of Materials

REF DES	QTY	DESCRIPTION	MFR	PART NUMBER
D1, D2	1	Diode, Zener, 5.6-V, 350-mW	Diodes, Inc.	BZX84C5V6
J3	1	Header, 2-pin, 100-mil spacing, (36-pin strip)	Sullins	PTC36SAAN
R1, R2, R6	3	Resistor, Chip, 100-Ω, 1/16-W	Std	Std
R3	1	Resistor, Chip, 100-kΩ, 1/16-W	Std	Std
R4	1	Resistor, Chip, 10-kΩ, 1/16-W	Std	Std
XU1	1	Socket, Double 3P SOT-23	Loranger	13293 121 X218A
J1	1	Header, Friction Lock Ass'y, 4-pin Right Angle	Molex	22-05-3041
J2	1	Terminal Block, 2-pin, 6-A, 3.5-mm	OST	ED1514
VSS1, VSS2	2	Test Point, Black, 1-mm	Keystone	5001
SDQ1, SDQ2	2	Test Point, Red, 1-mm	Keystone	5000
Q1	1	MOSFET, N-ch, 60-V, 115-mA, 1.2-Ω	Vishay-Liteon	2N7002DICT
Q2	1	MOSFET, Pch, -20V, 3.7A, 65 mΩ	IR	IRLML6402
U1	1	IC, 1 K Serial EPROM With SDQ Interface	TI	bq2022ADBZR
–	1	PCB, 2 In x 1.25 In x .125 In	Any	HPA125 Rev. B Board
N/A	1	Shunt, 100-mil, Black	3M	929950-00

6 bq2022AEVM Circuit Module Performance Specification Summary

Table 3. Performance Specification Summary

SPECIFICATION	MIN	TYP	MAX	UNITS
Voltage Pullup (V_{UP})	2.65		5.5	V
Programming Voltage (V_{PP})	11.5		12	V

7 EVM Hardware and Software Setup

7.1 Drivers and Software Installation

This section describes how to install the bq2022AEVM PC software, and how to connect the different components of the EVM.

Use the following steps to install the bq2022A evaluation software:

1. Insert the CD ROM into a CD ROM drive.
2. Select the CD ROM drive using *My Computer* or *File Manager*.
3. Select the ReadMeFirst.txt file.
4. Select the Software/EV2300 Drivers directory of CD and run SETUP.EXE.
5. Plug the EV2300 into a USB port.
6. Wait until system prompt new hardware found appears. Choose select location manually, and use the browse button to point to subdirectory TIUSBWin2K-XP-1.
7. Answer continue to the warning that drivers are not certified with Microsoft.
8. After installation finishes, another system prompt new hardware found appears. Repeat procedure above, but point to subdirectory TIUSBWin2K-XP-2.
9. Answer continue to the warning that drivers are not certified with Microsoft. Installation of drivers is now finished.
10. For Windows 98, point to directory TIUSBWin98.

11. After installing the USB drivers for EV2300, double-click on the Setup.exe icon that is under the Software/bq2022A Evaluation Software folder.
12. Follow the instructions on screen during the installation of evaluation software.
13. The setup program installs a Windows application group.

7.2 Hardware Connection

The bq2022AEVM has three hardware components. :

1. The bq2022AEVM circuit module
2. The PC interface board, (EV2300 – purchased separately)
3. The PC

Use the following steps to configure the hardware for interface to the PC:

1. Connect the HPA125 board with the EV2300 PC interface board using [Table 4](#) as a pin connection guide.
2. Connect the USB cable to the EV2300 and the PC USB port.

The bq2022AEVM is now set up for normal operation.

Table 4. Wire Connection

bq2022AEVM (HPA125 Rev. B)	EV2300
SDQ	HDQ
VSS	GND
PROG	VOUT

To program the EPROM of bq2022AEVM, a 12-V pulse must be generated on the SDQ line. The HPA125 board has an additional circuit included that permits generating this pulse when using a power supply set to 12 V and the VOUT output of the EV2300. The evaluation software controls this pulse for EPROM programming.

When programming the EPROM, it is expected that a 12-V supply must be connected to the HPA125 board at the 12-V input terminal of the HPA125 board. Ensure that the ground of the power supply is connected to VSS of the board.

A jumper (J3) must be connected when using the EPROM programming circuit.

7.2.1 Normal Operation

Normal operation includes performing any of the ROM commands, reading the 1 K-bit EPROM and reading the EPROM Status Memory.

7.2.2 EPROM Programming

To program EPROM registers, a 12-V pulse must be sent across the SDQ line after sending the code 0x5A during a write command. See the bq2022A data sheet ([SLUS724](#)) for a specific description of EPROM programming requirements. When programming EPROM registers, the following must be ensured:

- J3 jumper is connected.
- VOUT output of EV2300 is connected to PROG input of HPA125 board.
- Power supply set to 12 V is connected across the 12 V and VSS inputs of HPA125 board.

8 Software Operation

Run the program from the Start|Programs|Texas Instruments|bq2022A Evaluation Software menu sequence.

8.1 Evaluation Software Pages

This section describes the function of each page of the EVSW.

8.2 ROM CMD

This page provides all the ROM commands for bq2022A (see [Figure 6](#)).

8.2.1 Sections Within the ROM CMD Page

Application — This section determines the number of bq2022A devices that are on the SDQ bus. If only one device is used, then select *Single Device*. This option sends the *SKIP ROM* command before any communication attempt is made with the device. If more than one device is used, then select *Multiple Devices*. This option sends the *MATCH ROM* command before any communication attempt is made with the desired device

Search ROM — This section demonstrates the *SEARCH ROM* command. When multiple devices are on the SDQ bus, the ROM ID of the devices that share the bus is listed.

Match ROM — This section is only available when the *Multiple Devices* option is selected in the Application section. To use the *MATCH ROM*, enter the ROM ID of the device of interest in the text box, and then click on the *Select Device* button. This causes the *MATCH ROM* commands with the desired ROM ID to be sent whenever communication is attempted with the desired device. If *SEARCH ROM* is used, the desired ID can be copied from the *SEARCH ROM* list, and then pasted into the *MATCH ROM* text box. Ensure that only the ID numbers are pasted into the text box and not the whole line referring to the device.

Read ROM — This section is only available when the *Single Device* option is selected in the Application section. The ID ROM of the device on the SDQ communication line is displayed.

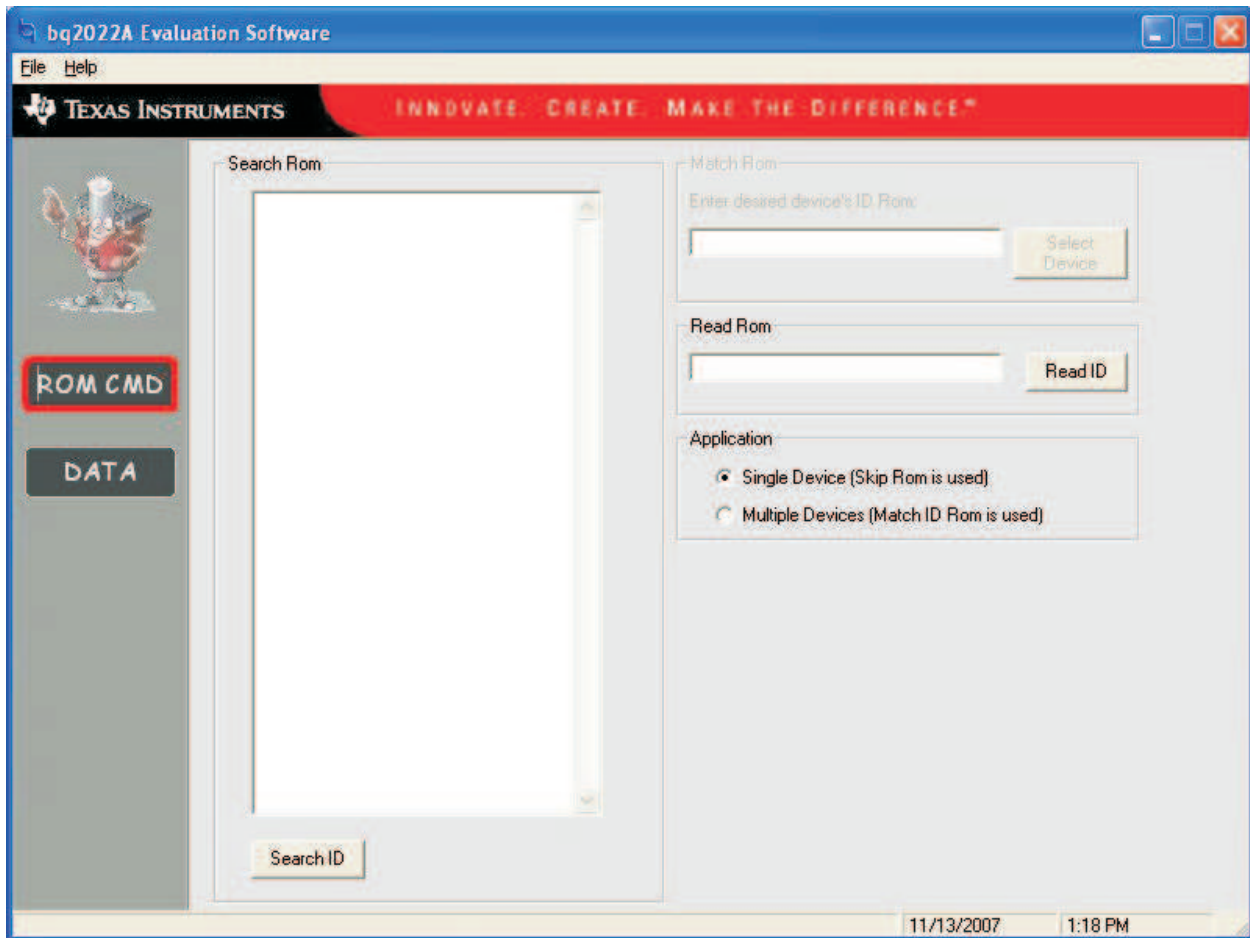


Figure 6. ROM CMD Page

8.3 DATA

This page (see Figure 7) allows the user to program the 1 K-bit EPROM with desired values and to program the STATUS bytes. It requires that the hardware is set up as described in the EPROM programming of this user's guide.

8.3.1 1 K-Bit EPROM

The EPROM memory map is organized in four pages of 32 bytes each. All registers can be read by clicking on the *Read Memory* button. As the registers of a specific page are being read, the page number is highlighted in red.

The two methods of programming the EPROM using the EVSW follow.

1. Click on a specific grid that corresponds to the register that needs to be written. Write the hexadecimal value of the data that needs to be written, and then press ENTER.
2. The other method of programming the EPROM is by importing a data file that contains all the values to be programmed. The data file has the file extension *.epr*. An example of a data file is included with the EVSW. To create additional data files, modify the example file so that the values on the right side of the file represent the desired values. Save the file with a different name ensuring that the extension *.epr* is used. To import a file into the grid, go to *File|Open Data File*, and select the appropriate file. Once the file is opened, the grid is filled in with the values contained in the data file. Click on the *Write Memory* button so that the values are programmed into the EPROM.

A data file can also be saved by going to *File|Save Data File*. The data that is saved in the file is the data displayed on the grids representing the EPROM memory map.

8.3.2 Status Bytes

This section allows the user to read or write the EPROM Status bytes of the bq2022A. The registers are programmed by clicking on the appropriate grid, entering the desired value, and pressing ENTER.

Buttons are provided for the user to select specific pages for write protection. By selecting any of the *Write Protection Bits* button, register 0x00 of status registers is written automatically so that the corresponding bit is cleared.

Note that the status registers are EPROM. Once a bit has been cleared, it cannot be set.

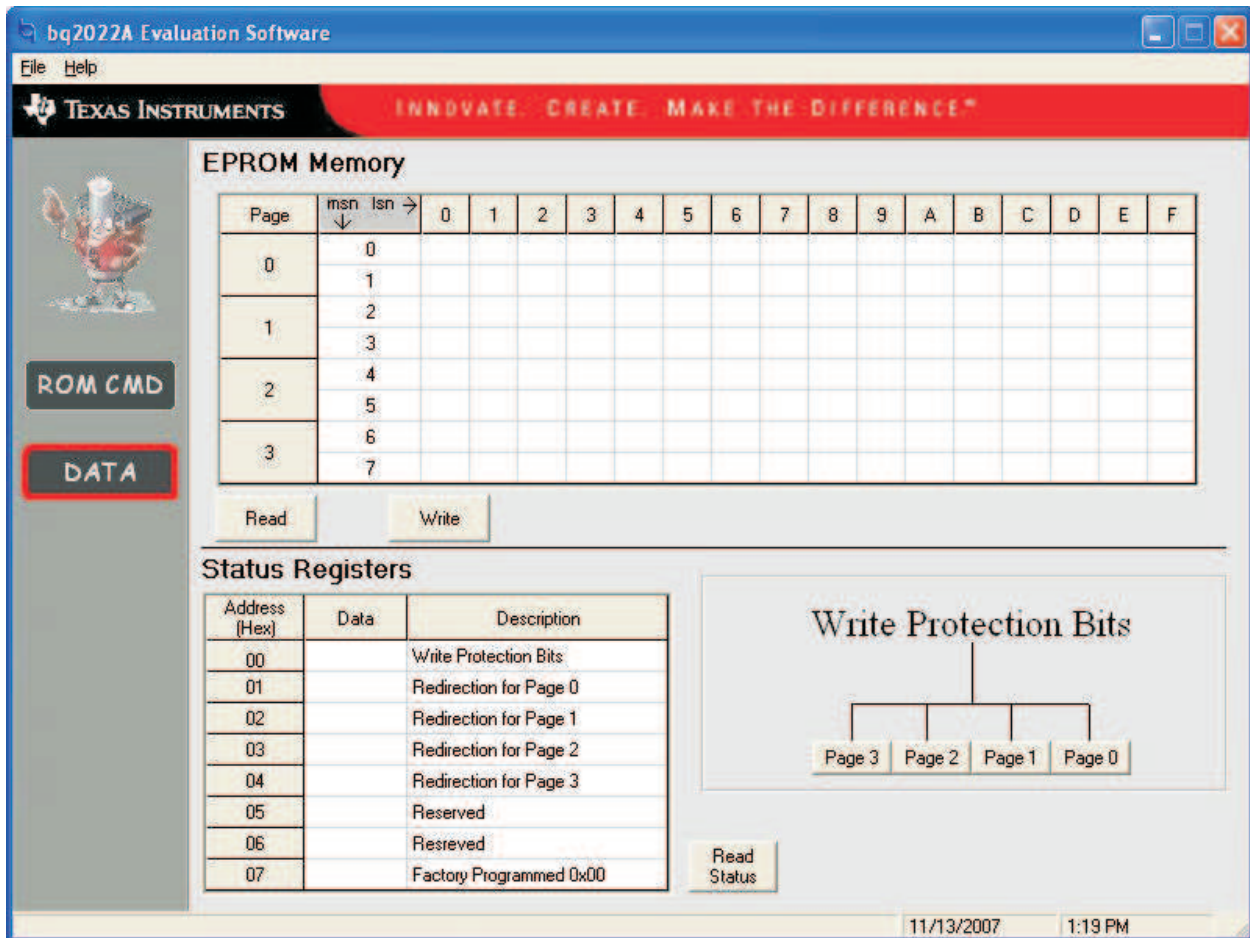


Figure 7. DATA Page

Revision History

NOTE: Page numbers for previous revisions may differ from page numbers in the current version.

Changes from A Revision (October 2013) to B Revision	Page
• Added note regarding EV2400 board versions.	2

STANDARD TERMS FOR EVALUATION MODULES

1. *Delivery:* TI delivers TI evaluation boards, kits, or modules, including any accompanying demonstration software, components, and/or documentation which may be provided together or separately (collectively, an "EVM" or "EVMs") to the User ("User") in accordance with the terms set forth herein. User's acceptance of the EVM is expressly subject to the following terms.
 - 1.1 EVMs are intended solely for product or software developers for use in a research and development setting to facilitate feasibility evaluation, experimentation, or scientific analysis of TI semiconductor products. EVMs have no direct function and are not finished products. EVMs shall not be directly or indirectly assembled as a part or subassembly in any finished product. For clarification, any software or software tools provided with the EVM ("Software") shall not be subject to the terms and conditions set forth herein but rather shall be subject to the applicable terms that accompany such Software
 - 1.2 EVMs are not intended for consumer or household use. EVMs may not be sold, sublicensed, leased, rented, loaned, assigned, or otherwise distributed for commercial purposes by Users, in whole or in part, or used in any finished product or production system.
2. *Limited Warranty and Related Remedies/Disclaimers:*
 - 2.1 These terms do not apply to Software. The warranty, if any, for Software is covered in the applicable Software License Agreement.
 - 2.2 TI warrants that the TI EVM will conform to TI's published specifications for ninety (90) days after the date TI delivers such EVM to User. Notwithstanding the foregoing, TI shall not be liable for a nonconforming EVM if (a) the nonconformity was caused by neglect, misuse or mistreatment by an entity other than TI, including improper installation or testing, or for any EVMs that have been altered or modified in any way by an entity other than TI, (b) the nonconformity resulted from User's design, specifications or instructions for such EVMs or improper system design, or (c) User has not paid on time. Testing and other quality control techniques are used to the extent TI deems necessary. TI does not test all parameters of each EVM. User's claims against TI under this Section 2 are void if User fails to notify TI of any apparent defects in the EVMs within ten (10) business days after delivery, or of any hidden defects with ten (10) business days after the defect has been detected.
 - 2.3 TI's sole liability shall be at its option to repair or replace EVMs that fail to conform to the warranty set forth above, or credit User's account for such EVM. TI's liability under this warranty shall be limited to EVMs that are returned during the warranty period to the address designated by TI and that are determined by TI not to conform to such warranty. If TI elects to repair or replace such EVM, TI shall have a reasonable time to repair such EVM or provide replacements. Repaired EVMs shall be warranted for the remainder of the original warranty period. Replaced EVMs shall be warranted for a new full ninety (90) day warranty period.
3. *Regulatory Notices:*
 - 3.1 *United States*
 - 3.1.1 *Notice applicable to EVMs not FCC-Approved:*

FCC NOTICE: This kit is designed to allow product developers to evaluate electronic components, circuitry, or software associated with the kit to determine whether to incorporate such items in a finished product and software developers to write software applications for use with the end product. This kit is not a finished product and when assembled may not be resold or otherwise marketed unless all required FCC equipment authorizations are first obtained. Operation is subject to the condition that this product not cause harmful interference to licensed radio stations and that this product accept harmful interference. Unless the assembled kit is designed to operate under part 15, part 18 or part 95 of this chapter, the operator of the kit must operate under the authority of an FCC license holder or must secure an experimental authorization under part 5 of this chapter.
 - 3.1.2 *For EVMs annotated as FCC – FEDERAL COMMUNICATIONS COMMISSION Part 15 Compliant:*

CAUTION

This device complies with part 15 of the FCC Rules. Operation is subject to the following two conditions: (1) This device may not cause harmful interference, and (2) this device must accept any interference received, including interference that may cause undesired operation.

Changes or modifications not expressly approved by the party responsible for compliance could void the user's authority to operate the equipment.

FCC Interference Statement for Class A EVM devices

NOTE: This equipment has been tested and found to comply with the limits for a Class A digital device, pursuant to part 15 of the FCC Rules. These limits are designed to provide reasonable protection against harmful interference when the equipment is operated in a commercial environment. This equipment generates, uses, and can radiate radio frequency energy and, if not installed and used in accordance with the instruction manual, may cause harmful interference to radio communications. Operation of this equipment in a residential area is likely to cause harmful interference in which case the user will be required to correct the interference at his own expense.

FCC Interference Statement for Class B EVM devices

NOTE: This equipment has been tested and found to comply with the limits for a Class B digital device, pursuant to part 15 of the FCC Rules. These limits are designed to provide reasonable protection against harmful interference in a residential installation. This equipment generates, uses and can radiate radio frequency energy and, if not installed and used in accordance with the instructions, may cause harmful interference to radio communications. However, there is no guarantee that interference will not occur in a particular installation. If this equipment does cause harmful interference to radio or television reception, which can be determined by turning the equipment off and on, the user is encouraged to try to correct the interference by one or more of the following measures:

- Reorient or relocate the receiving antenna.
- Increase the separation between the equipment and receiver.
- Connect the equipment into an outlet on a circuit different from that to which the receiver is connected.
- Consult the dealer or an experienced radio/TV technician for help.

3.2 Canada

3.2.1 For EVMs issued with an Industry Canada Certificate of Conformance to RSS-210 or RSS-247

Concerning EVMs Including Radio Transmitters:

This device complies with Industry Canada license-exempt RSSs. Operation is subject to the following two conditions:

(1) this device may not cause interference, and (2) this device must accept any interference, including interference that may cause undesired operation of the device.

Concernant les EVMs avec appareils radio:

Le présent appareil est conforme aux CNR d'Industrie Canada applicables aux appareils radio exempts de licence. L'exploitation est autorisée aux deux conditions suivantes: (1) l'appareil ne doit pas produire de brouillage, et (2) l'utilisateur de l'appareil doit accepter tout brouillage radioélectrique subi, même si le brouillage est susceptible d'en compromettre le fonctionnement.

Concerning EVMs Including Detachable Antennas:

Under Industry Canada regulations, this radio transmitter may only operate using an antenna of a type and maximum (or lesser) gain approved for the transmitter by Industry Canada. To reduce potential radio interference to other users, the antenna type and its gain should be so chosen that the equivalent isotropically radiated power (e.i.r.p.) is not more than that necessary for successful communication. This radio transmitter has been approved by Industry Canada to operate with the antenna types listed in the user guide with the maximum permissible gain and required antenna impedance for each antenna type indicated. Antenna types not included in this list, having a gain greater than the maximum gain indicated for that type, are strictly prohibited for use with this device.

Concernant les EVMs avec antennes détachables

Conformément à la réglementation d'Industrie Canada, le présent émetteur radio peut fonctionner avec une antenne d'un type et d'un gain maximal (ou inférieur) approuvé pour l'émetteur par Industrie Canada. Dans le but de réduire les risques de brouillage radioélectrique à l'intention des autres utilisateurs, il faut choisir le type d'antenne et son gain de sorte que la puissance isotrope rayonnée équivalente (p.i.r.e.) ne dépasse pas l'intensité nécessaire à l'établissement d'une communication satisfaisante. Le présent émetteur radio a été approuvé par Industrie Canada pour fonctionner avec les types d'antenne énumérés dans le manuel d'usage et ayant un gain admissible maximal et l'impédance requise pour chaque type d'antenne. Les types d'antenne non inclus dans cette liste, ou dont le gain est supérieur au gain maximal indiqué, sont strictement interdits pour l'exploitation de l'émetteur.

3.3 Japan

3.3.1 *Notice for EVMs delivered in Japan:* Please see http://www.tij.co.jp/lstds/ti_ja/general/eStore/notice_01.page 日本国内に輸入される評価用キット、ボードについては、次のところをご覧ください。
http://www.tij.co.jp/lstds/ti_ja/general/eStore/notice_01.page

3.3.2 *Notice for Users of EVMs Considered "Radio Frequency Products" in Japan:* EVMs entering Japan may not be certified by TI as conforming to Technical Regulations of Radio Law of Japan.

If User uses EVMs in Japan, not certified to Technical Regulations of Radio Law of Japan, User is required to follow the instructions set forth by Radio Law of Japan, which includes, but is not limited to, the instructions below with respect to EVMs (which for the avoidance of doubt are stated strictly for convenience and should be verified by User):

1. Use EVMs in a shielded room or any other test facility as defined in the notification #173 issued by Ministry of Internal Affairs and Communications on March 28, 2006, based on Sub-section 1.1 of Article 6 of the Ministry's Rule for Enforcement of Radio Law of Japan,
2. Use EVMs only after User obtains the license of Test Radio Station as provided in Radio Law of Japan with respect to EVMs, or
3. Use of EVMs only after User obtains the Technical Regulations Conformity Certification as provided in Radio Law of Japan with respect to EVMs. Also, do not transfer EVMs, unless User gives the same notice above to the transferee. Please note that if User does not follow the instructions above, User will be subject to penalties of Radio Law of Japan.

【無線電波を送信する製品の開発キットをお使いになる際の注意事項】 開発キットの中には技術基準適合証明を受けていないものがあります。技術適合証明を受けていないものご使用に際しては、電波法遵守のため、以下のいずれかの措置を取っていただく必要がありますのでご注意ください。

1. 電波法施行規則第6条第1項第1号に基づく平成18年3月28日総務省告示第173号で定められた電波暗室等の試験設備でご使用いただく。
2. 実験局の免許を取得後ご使用いただく。
3. 技術基準適合証明を取得後ご使用いただく。

なお、本製品は、上記の「ご使用にあたっての注意」を譲渡先、移転先に通知しない限り、譲渡、移転できないものとします。

上記を遵守頂けない場合は、電波法の罰則が適用される可能性があることをご留意ください。日本テキサス・インスツルメンツ株式会社
東京都新宿区西新宿 6 丁目 2 4 番 1 号
西新宿三井ビル

3.3.3 *Notice for EVMs for Power Line Communication:* Please see http://www.tij.co.jp/lstds/ti_ja/general/eStore/notice_02.page
電力線搬送波通信についての開発キットをお使いになる際の注意事項については、次のところをご覧ください。 http://www.tij.co.jp/lstds/ti_ja/general/eStore/notice_02.page

3.4 *European Union*

3.4.1 *For EVMs subject to EU Directive 2014/30/EU (Electromagnetic Compatibility Directive):*

This is a class A product intended for use in environments other than domestic environments that are connected to a low-voltage power-supply network that supplies buildings used for domestic purposes. In a domestic environment this product may cause radio interference in which case the user may be required to take adequate measures.

4 *EVM Use Restrictions and Warnings:*

4.1 EVMS ARE NOT FOR USE IN FUNCTIONAL SAFETY AND/OR SAFETY CRITICAL EVALUATIONS, INCLUDING BUT NOT LIMITED TO EVALUATIONS OF LIFE SUPPORT APPLICATIONS.

4.2 User must read and apply the user guide and other available documentation provided by TI regarding the EVM prior to handling or using the EVM, including without limitation any warning or restriction notices. The notices contain important safety information related to, for example, temperatures and voltages.

4.3 *Safety-Related Warnings and Restrictions:*

4.3.1 User shall operate the EVM within TI's recommended specifications and environmental considerations stated in the user guide, other available documentation provided by TI, and any other applicable requirements and employ reasonable and customary safeguards. Exceeding the specified performance ratings and specifications (including but not limited to input and output voltage, current, power, and environmental ranges) for the EVM may cause personal injury or death, or property damage. If there are questions concerning performance ratings and specifications, User should contact a TI field representative prior to connecting interface electronics including input power and intended loads. Any loads applied outside of the specified output range may also result in unintended and/or inaccurate operation and/or possible permanent damage to the EVM and/or interface electronics. Please consult the EVM user guide prior to connecting any load to the EVM output. If there is uncertainty as to the load specification, please contact a TI field representative. During normal operation, even with the inputs and outputs kept within the specified allowable ranges, some circuit components may have elevated case temperatures. These components include but are not limited to linear regulators, switching transistors, pass transistors, current sense resistors, and heat sinks, which can be identified using the information in the associated documentation. When working with the EVM, please be aware that the EVM may become very warm.

4.3.2 EVMs are intended solely for use by technically qualified, professional electronics experts who are familiar with the dangers and application risks associated with handling electrical mechanical components, systems, and subsystems. User assumes all responsibility and liability for proper and safe handling and use of the EVM by User or its employees, affiliates, contractors or designees. User assumes all responsibility and liability to ensure that any interfaces (electronic and/or mechanical) between the EVM and any human body are designed with suitable isolation and means to safely limit accessible leakage currents to minimize the risk of electrical shock hazard. User assumes all responsibility and liability for any improper or unsafe handling or use of the EVM by User or its employees, affiliates, contractors or designees.

4.4 User assumes all responsibility and liability to determine whether the EVM is subject to any applicable international, federal, state, or local laws and regulations related to User's handling and use of the EVM and, if applicable, User assumes all responsibility and liability for compliance in all respects with such laws and regulations. User assumes all responsibility and liability for proper disposal and recycling of the EVM consistent with all applicable international, federal, state, and local requirements.

5. *Accuracy of Information:* To the extent TI provides information on the availability and function of EVMs, TI attempts to be as accurate as possible. However, TI does not warrant the accuracy of EVM descriptions, EVM availability or other information on its websites as accurate, complete, reliable, current, or error-free.

6. *Disclaimers:*
- 6.1 EXCEPT AS SET FORTH ABOVE, EVMS AND ANY MATERIALS PROVIDED WITH THE EVM (INCLUDING, BUT NOT LIMITED TO, REFERENCE DESIGNS AND THE DESIGN OF THE EVM ITSELF) ARE PROVIDED "AS IS" AND "WITH ALL FAULTS." TI DISCLAIMS ALL OTHER WARRANTIES, EXPRESS OR IMPLIED, REGARDING SUCH ITEMS, INCLUDING BUT NOT LIMITED TO ANY EPIDEMIC FAILURE WARRANTY OR IMPLIED WARRANTIES OF MERCHANTABILITY OR FITNESS FOR A PARTICULAR PURPOSE OR NON-INFRINGEMENT OF ANY THIRD PARTY PATENTS, COPYRIGHTS, TRADE SECRETS OR OTHER INTELLECTUAL PROPERTY RIGHTS.
- 6.2 EXCEPT FOR THE LIMITED RIGHT TO USE THE EVM SET FORTH HEREIN, NOTHING IN THESE TERMS SHALL BE CONSTRUED AS GRANTING OR CONFERRING ANY RIGHTS BY LICENSE, PATENT, OR ANY OTHER INDUSTRIAL OR INTELLECTUAL PROPERTY RIGHT OF TI, ITS SUPPLIERS/LICENSORS OR ANY OTHER THIRD PARTY, TO USE THE EVM IN ANY FINISHED END-USER OR READY-TO-USE FINAL PRODUCT, OR FOR ANY INVENTION, DISCOVERY OR IMPROVEMENT, REGARDLESS OF WHEN MADE, CONCEIVED OR ACQUIRED.
7. *USER'S INDEMNITY OBLIGATIONS AND REPRESENTATIONS.* USER WILL DEFEND, INDEMNIFY AND HOLD TI, ITS LICENSORS AND THEIR REPRESENTATIVES HARMLESS FROM AND AGAINST ANY AND ALL CLAIMS, DAMAGES, LOSSES, EXPENSES, COSTS AND LIABILITIES (COLLECTIVELY, "CLAIMS") ARISING OUT OF OR IN CONNECTION WITH ANY HANDLING OR USE OF THE EVM THAT IS NOT IN ACCORDANCE WITH THESE TERMS. THIS OBLIGATION SHALL APPLY WHETHER CLAIMS ARISE UNDER STATUTE, REGULATION, OR THE LAW OF TORT, CONTRACT OR ANY OTHER LEGAL THEORY, AND EVEN IF THE EVM FAILS TO PERFORM AS DESCRIBED OR EXPECTED.
8. *Limitations on Damages and Liability:*
- 8.1 *General Limitations.* IN NO EVENT SHALL TI BE LIABLE FOR ANY SPECIAL, COLLATERAL, INDIRECT, PUNITIVE, INCIDENTAL, CONSEQUENTIAL, OR EXEMPLARY DAMAGES IN CONNECTION WITH OR ARISING OUT OF THESE TERMS OR THE USE OF THE EVMS , REGARDLESS OF WHETHER TI HAS BEEN ADVISED OF THE POSSIBILITY OF SUCH DAMAGES. EXCLUDED DAMAGES INCLUDE, BUT ARE NOT LIMITED TO, COST OF REMOVAL OR REINSTALLATION, ANCILLARY COSTS TO THE PROCUREMENT OF SUBSTITUTE GOODS OR SERVICES, RETESTING, OUTSIDE COMPUTER TIME, LABOR COSTS, LOSS OF GOODWILL, LOSS OF PROFITS, LOSS OF SAVINGS, LOSS OF USE, LOSS OF DATA, OR BUSINESS INTERRUPTION. NO CLAIM, SUIT OR ACTION SHALL BE BROUGHT AGAINST TI MORE THAN TWELVE (12) MONTHS AFTER THE EVENT THAT GAVE RISE TO THE CAUSE OF ACTION HAS OCCURRED.
- 8.2 *Specific Limitations.* IN NO EVENT SHALL TI'S AGGREGATE LIABILITY FROM ANY USE OF AN EVM PROVIDED HEREUNDER, INCLUDING FROM ANY WARRANTY, INDEMNITY OR OTHER OBLIGATION ARISING OUT OF OR IN CONNECTION WITH THESE TERMS, , EXCEED THE TOTAL AMOUNT PAID TO TI BY USER FOR THE PARTICULAR EVM(S) AT ISSUE DURING THE PRIOR TWELVE (12) MONTHS WITH RESPECT TO WHICH LOSSES OR DAMAGES ARE CLAIMED. THE EXISTENCE OF MORE THAN ONE CLAIM SHALL NOT ENLARGE OR EXTEND THIS LIMIT.
9. *Return Policy.* Except as otherwise provided, TI does not offer any refunds, returns, or exchanges. Furthermore, no return of EVM(s) will be accepted if the package has been opened and no return of the EVM(s) will be accepted if they are damaged or otherwise not in a resalable condition. If User feels it has been incorrectly charged for the EVM(s) it ordered or that delivery violates the applicable order, User should contact TI. All refunds will be made in full within thirty (30) working days from the return of the components(s), excluding any postage or packaging costs.
10. *Governing Law:* These terms and conditions shall be governed by and interpreted in accordance with the laws of the State of Texas, without reference to conflict-of-laws principles. User agrees that non-exclusive jurisdiction for any dispute arising out of or relating to these terms and conditions lies within courts located in the State of Texas and consents to venue in Dallas County, Texas. Notwithstanding the foregoing, any judgment may be enforced in any United States or foreign court, and TI may seek injunctive relief in any United States or foreign court.

IMPORTANT NOTICE FOR TI DESIGN INFORMATION AND RESOURCES

Texas Instruments Incorporated ("TI") technical, application or other design advice, services or information, including, but not limited to, reference designs and materials relating to evaluation modules, (collectively, "TI Resources") are intended to assist designers who are developing applications that incorporate TI products; by downloading, accessing or using any particular TI Resource in any way, you (individually or, if you are acting on behalf of a company, your company) agree to use it solely for this purpose and subject to the terms of this Notice.

TI's provision of TI Resources does not expand or otherwise alter TI's applicable published warranties or warranty disclaimers for TI products, and no additional obligations or liabilities arise from TI providing such TI Resources. TI reserves the right to make corrections, enhancements, improvements and other changes to its TI Resources.

You understand and agree that you remain responsible for using your independent analysis, evaluation and judgment in designing your applications and that you have full and exclusive responsibility to assure the safety of your applications and compliance of your applications (and of all TI products used in or for your applications) with all applicable regulations, laws and other applicable requirements. You represent that, with respect to your applications, you have all the necessary expertise to create and implement safeguards that (1) anticipate dangerous consequences of failures, (2) monitor failures and their consequences, and (3) lessen the likelihood of failures that might cause harm and take appropriate actions. You agree that prior to using or distributing any applications that include TI products, you will thoroughly test such applications and the functionality of such TI products as used in such applications. TI has not conducted any testing other than that specifically described in the published documentation for a particular TI Resource.

You are authorized to use, copy and modify any individual TI Resource only in connection with the development of applications that include the TI product(s) identified in such TI Resource. NO OTHER LICENSE, EXPRESS OR IMPLIED, BY ESTOPPEL OR OTHERWISE TO ANY OTHER TI INTELLECTUAL PROPERTY RIGHT, AND NO LICENSE TO ANY TECHNOLOGY OR INTELLECTUAL PROPERTY RIGHT OF TI OR ANY THIRD PARTY IS GRANTED HEREIN, including but not limited to any patent right, copyright, mask work right, or other intellectual property right relating to any combination, machine, or process in which TI products or services are used. Information regarding or referencing third-party products or services does not constitute a license to use such products or services, or a warranty or endorsement thereof. Use of TI Resources may require a license from a third party under the patents or other intellectual property of the third party, or a license from TI under the patents or other intellectual property of TI.

TI RESOURCES ARE PROVIDED "AS IS" AND WITH ALL FAULTS. TI DISCLAIMS ALL OTHER WARRANTIES OR REPRESENTATIONS, EXPRESS OR IMPLIED, REGARDING TI RESOURCES OR USE THEREOF, INCLUDING BUT NOT LIMITED TO ACCURACY OR COMPLETENESS, TITLE, ANY EPIDEMIC FAILURE WARRANTY AND ANY IMPLIED WARRANTIES OF MERCHANTABILITY, FITNESS FOR A PARTICULAR PURPOSE, AND NON-INFRINGEMENT OF ANY THIRD PARTY INTELLECTUAL PROPERTY RIGHTS.

TI SHALL NOT BE LIABLE FOR AND SHALL NOT DEFEND OR INDEMNIFY YOU AGAINST ANY CLAIM, INCLUDING BUT NOT LIMITED TO ANY INFRINGEMENT CLAIM THAT RELATES TO OR IS BASED ON ANY COMBINATION OF PRODUCTS EVEN IF DESCRIBED IN TI RESOURCES OR OTHERWISE. IN NO EVENT SHALL TI BE LIABLE FOR ANY ACTUAL, DIRECT, SPECIAL, COLLATERAL, INDIRECT, PUNITIVE, INCIDENTAL, CONSEQUENTIAL OR EXEMPLARY DAMAGES IN CONNECTION WITH OR ARISING OUT OF TI RESOURCES OR USE THEREOF, AND REGARDLESS OF WHETHER TI HAS BEEN ADVISED OF THE POSSIBILITY OF SUCH DAMAGES.

You agree to fully indemnify TI and its representatives against any damages, costs, losses, and/or liabilities arising out of your non-compliance with the terms and provisions of this Notice.

This Notice applies to TI Resources. Additional terms apply to the use and purchase of certain types of materials, TI products and services. These include; without limitation, TI's standard terms for semiconductor products (<http://www.ti.com/sc/docs/stdterms.htm>), [evaluation modules](#), and [samples](http://www.ti.com/sc/docs/sampterm.htm) (<http://www.ti.com/sc/docs/sampterm.htm>).

Mailing Address: Texas Instruments, Post Office Box 655303, Dallas, Texas 75265
Copyright © 2017, Texas Instruments Incorporated