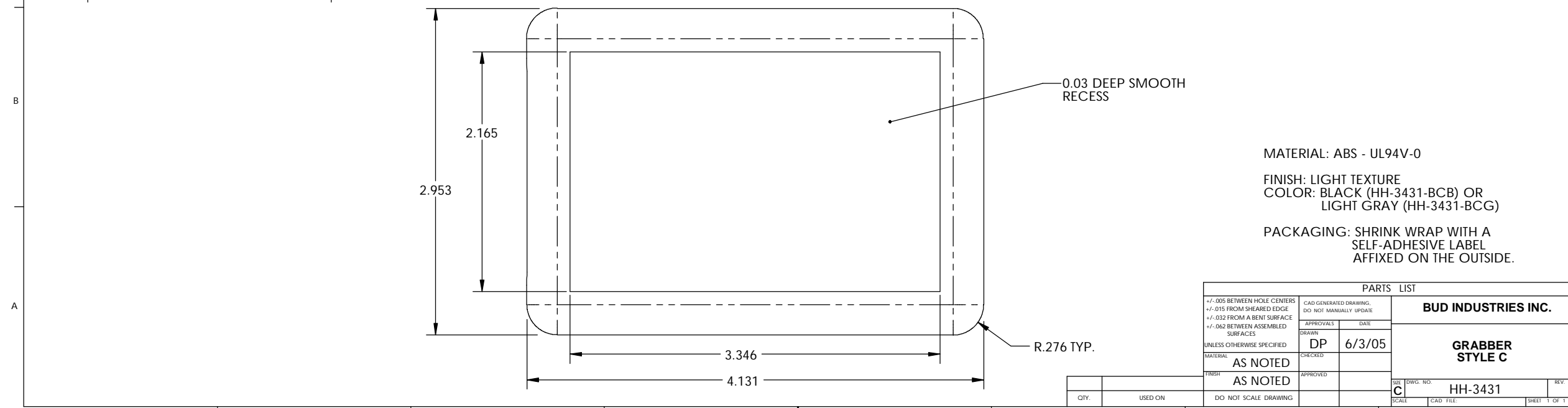
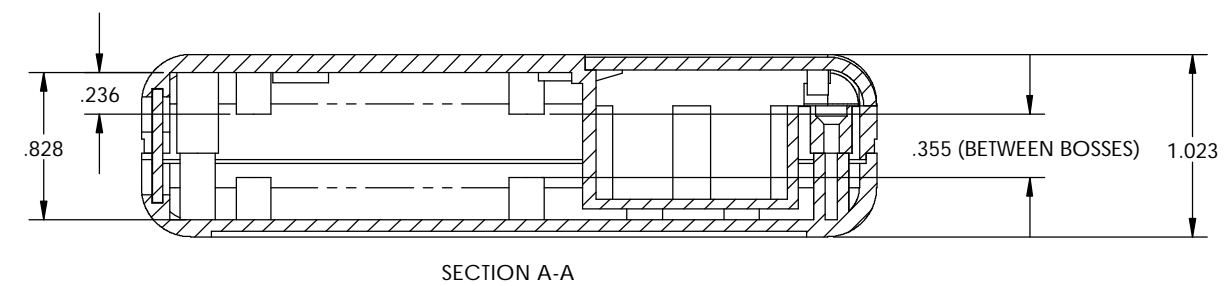
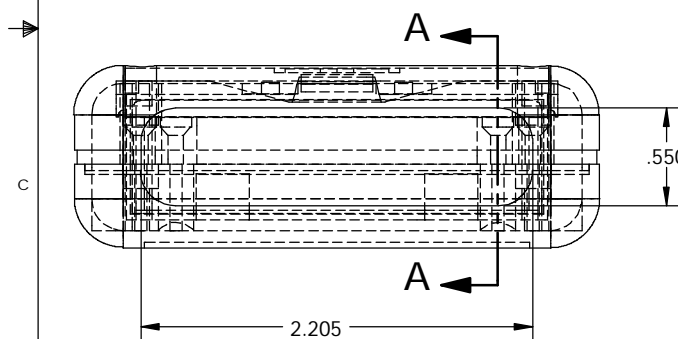
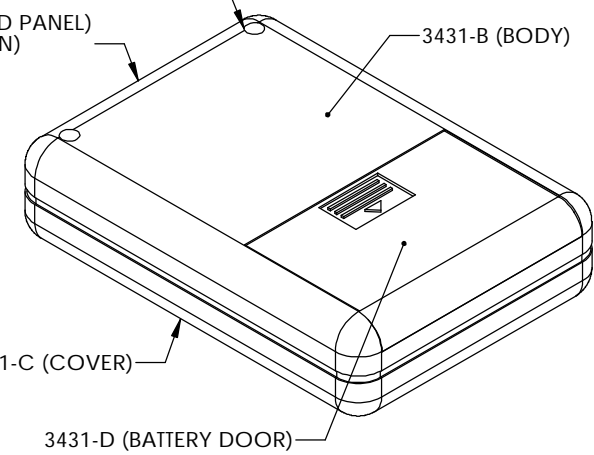
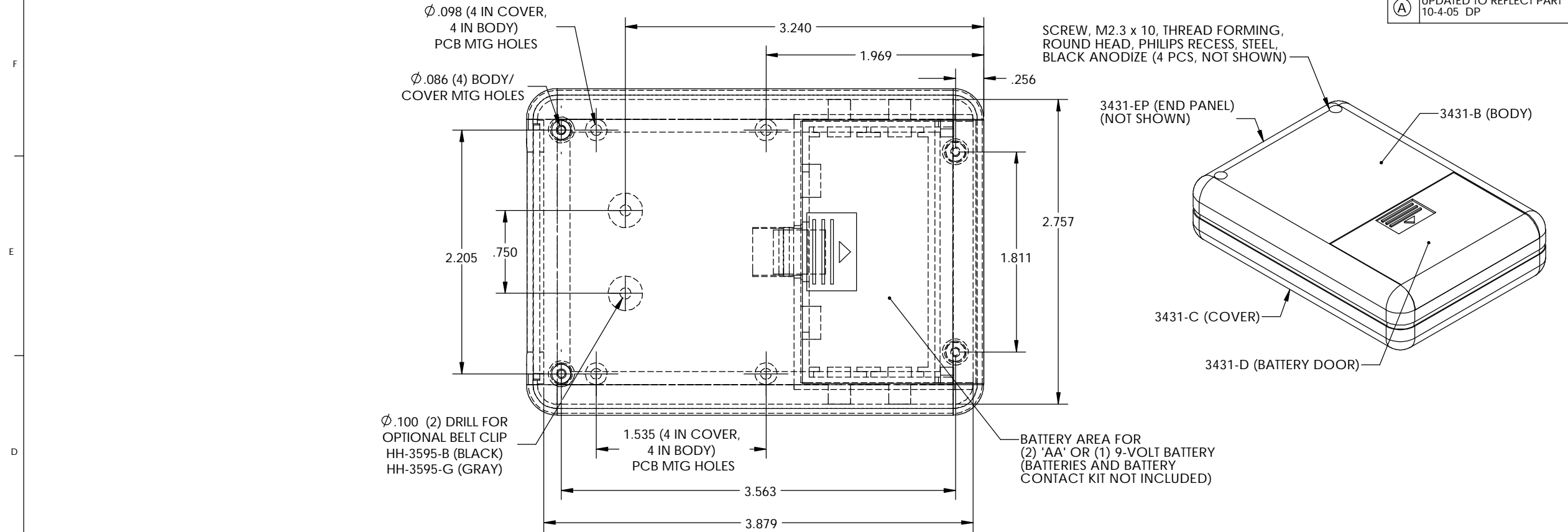


THE INFORMATION CONTAINED IN THIS DRAWING IS THE SOLE PROPERTY OF BUD INDUSTRIES INC. ANY REPRODUCTION IN PART OR WHOLE WITHOUT THE WRITTEN PERMISSION OF BUD INDUSTRIES INC. IS PROHIBITED.

DWG. NO.	HH-3431
ISSUE	REVISIONS
(A)	UPDATED TO REFLECT PART 10-4-05 DP



MATERIAL: ABS - UL94V-0
 FINISH: LIGHT TEXTURE
 COLOR: BLACK (HH-3431-BCB) OR LIGHT GRAY (HH-3431-BCG)
 PACKAGING: SHRINK WRAP WITH A SELF-ADHESIVE LABEL AFFIXED ON THE OUTSIDE.

PARTS LIST		BUD INDUSTRIES INC.	
GRABBER STYLE C		SIR	
MATERIAL: ABS - UL94V-0		DWG. NO. HH-3431	
FINISH: LIGHT TEXTURE		SCALE	
COLOR: BLACK (HH-3431-BCB) OR LIGHT GRAY (HH-3431-BCG)		CITY	
PACKAGING: SHRINK WRAP WITH A SELF-ADHESIVE LABEL AFFIXED ON THE OUTSIDE.		USED ON	
TOLERANCES UNLESS OTHERWISE SPECIFIED		DO NOT SCALE DRAWING	
+/- .005 BETWEEN HOLE CENTERS		DO NOT MANUALLY UPDATE	
+/- .015 FROM SHEARED EDGE		APPROVALS	
+/- .032 FROM A BENT SURFACE		DRAWN	
+/- .062 BETWEEN ASSEMBLED SURFACES		DATE	
MATERIAL		DP	
AS NOTED		6/3/05	
FINISH		CHECKED	
AS NOTED		APPROVED	
SCALE		SHEET 1 OF 1	

Mouser Electronics

Authorized Distributor

Click to View Pricing, Inventory, Delivery & Lifecycle Information:

[Bud Industries:](#)

[HH-3431-BCB](#) [HH-3431-BCG](#)