



5 V and 3.3 V Supply Monitor, Watchdog Timer, Manual Reset, with Active High & Low Resets



FEATURES

- Selectable reset voltage tolerance
 - CAT1232LP for 5 V supply
 - CAT1832 for 3.3 V supply
- Selectable watchdog period: 150 ms, 600 ms or 1.2 s
- Two reset outputs
 - Active high, push-pull reset output
 - Active low, open-drain reset output (CAT1232LP)
 - Active low, push-pull reset output (CAT1832)
- Debounced manual push-button reset
- Compact SOIC and MSOP packages

For Ordering Information details, see page 11.

APPLICATIONS

- Microprocessor Systems
- Portable Equipment
- Controllers
- Single Board Computers
- Instrumentations
- Telecommunications

DESCRIPTION

The CAT1232LP and CAT1832 microprocessor supervisors can halt and restart a “hung-up” or “stalled” microprocessor, restart a microprocessor after a power failure, and debounce a manual/push-button microprocessor reset switch. The devices are drop in replacements for the Maxim/Dallas Semiconductor DS1232LP and DS1832 supervisors

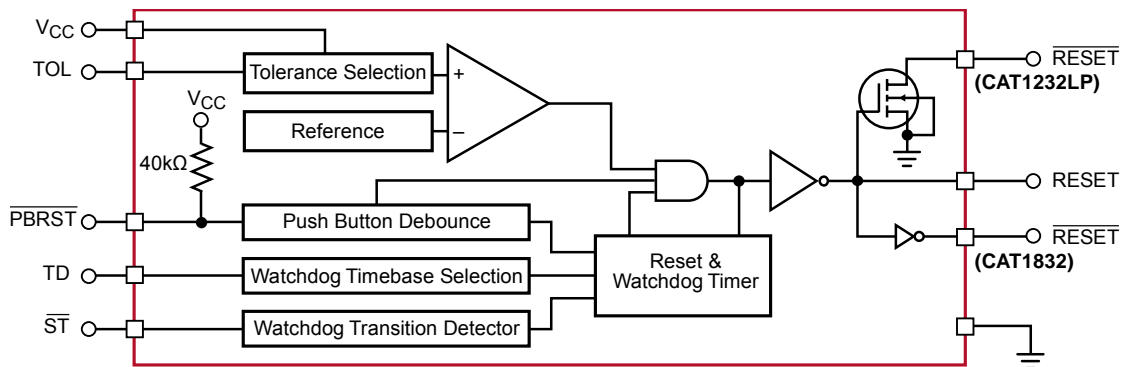
Precision reference and comparator circuits monitor the 5 V or 3.3 V system power supply voltage, V_{CC} . During power-up or when the power supply falls outside selectable tolerance limits, both the RESET and $\overline{\text{RESET}}$ become active. After the power supply voltage rises above the RESET threshold voltage, the reset signals remain active for a minimum of 250ms, allowing the power supply and system processor to stabilize. The trip-point tolerance input, TOL, selects the trip level tolerance to be either 5% or 10% for the CAT1232LP 5 V supply and 10% or 20% for the CAT1832 3.3 V supply.

Each device has a push-pull, active HIGH reset output. The CAT1232LP also has an open drain, active LOW reset output while the CAT1832 also has a push-pull, active LOW reset output.

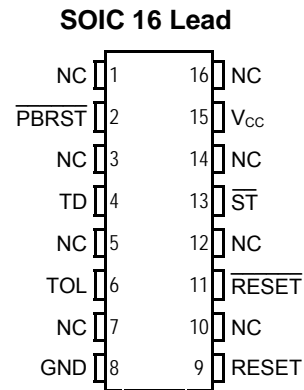
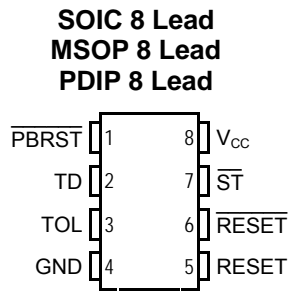
A debounced manual reset input activates the reset outputs and holds them active for a minimum period of 250 ms after being released.

Also included is a watchdog timer to reset a microprocessor that has stopped due to a software or hardware failure. Three watchdog time-out periods are selectable: 150 ms, 600 ms and 1.2 s. If the $\overline{\text{ST}}$ input is not strobed low before the watchdog time out period expires, the reset signals become active for a minimum of 250 ms.

FUNCTIONAL DIAGRAM



PIN CONFIGURATION



PIN DESCRIPTION

| Pin Number 8-Lead Package | Pin Number 16-Lead Package | Name | Function |
|---------------------------------|----------------------------------|---------------------------|--|
| 1 | 2 | $\overline{\text{PBRST}}$ | Debounced manual pushbutton reset input |
| 2 | 4 | TD | Watchdog typical time delay selection: a) $t_{\text{TD}} = 150 \text{ ms}$ for TD = GND b) $t_{\text{TD}} = 600 \text{ ms}$ for TD = Open c) $t_{\text{TD}} = 1200 \text{ ms}$ for TD = V_{CC} |
| 3 | 6 | TOL | CAT1232LP TOL selects 5% (TOL = GND) or 10% (TOL = V_{CC}) trip point tolerance. CAT1832 TOL selects 10% (TOL = GND) or 20% (TOL = V_{CC}) trip point tolerance. |
| 4 | 8 | GND | Ground |
| 5 | 9 | RESET | Active HIGH reset output. RESET is active 1. If V_{CC} falls below the reset voltage trip point 2. If $\overline{\text{PBRST}}$ is low 3. If $\overline{\text{ST}}$ is not strobed low before the timeout period set by TD expires. 4. During power-up. |
| 6 | 11 | RESET | Active LOW reset output. (See RESET) |
| 7 | 13 | $\overline{\text{ST}}$ | Strobe Input |
| 8 | 15 | V_{CC} | Power Supply |
| | 1, 3, 5, 7, 10, 12, 14, 16 | NC | No internal connection |

ABSOLUTE MAXIMUM RATINGS (*)

| Parameters | Ratings | Units |
|---|-------------------------------|-------|
| Voltage on V_{CC} | -0.5 to 7.0 | V |
| Voltage on $\overline{\text{ST}}$ and TD | -0.5 to $V_{\text{CC}} + 0.5$ | V |
| Voltage on $\overline{\text{PBRST}}$, RESET and RESET | -0.5 to $V_{\text{CC}} + 0.5$ | V |

| Parameters | Ratings | Units |
|----------------------------------|-------------|-------|
| Maximum Junction Temperature | 125 | °C |
| Storage Temperature Range | -65 to +150 | °C |
| Lead Soldering Temperature (10s) | 300 | °C |
| Operating Temperature Range | -40 to +85 | °C |

Note:

* Stresses above those listed under "Absolute Maximum Ratings" may cause permanent damage to the device. These are stress ratings only, and functional operation of the device at these or any other conditions outside of those listed in the operational sections of this specification is not implied. Exposure to any absolute maximum rating for extended periods may affect device performance and reliability.

ELECTRICAL CHARACTERISTICS

Unless otherwise stated, 1.0 V - V_{CC} - 5.5 V and over the operating temperature range of -40°C to +85°C.
All voltages are referenced to ground.

| Symbol | Parameter | Conditions | Min | Typ | Max | Units |
|------------|---|-----------------------------------|------------------|------------------|------------------|------------|
| V_{CC} | Supply Voltage | | 1.0 | | 5.5 | V |
| I_{CC1} | Supply Current | $V_{CC} = 5.5$ V, CAT1232LP | | 35 | 50 | μ A |
| | | $V_{CC} = 3.6$ V, CAT1832 | | 20 | 35 | |
| V_{IH} | ST and \overline{PBRST} Input High Level | (5) | 2 | | $V_{CC} + 0.3$ V | V |
| | | (6) | $V_{CC} - 0.4$ V | | | |
| V_{IL} | ST and \overline{PBRST} Input Low Level | $V_{CC} = 5.5$ V, CAT1232LP | -0.3 | | 0.8 | V |
| | | $V_{CC} = 3.6$ V, CAT1832 | | | 0.5 | |
| V_{CCTP} | V_{CC} Trip Point (TOL = GND) | CAT1232LP | 4.50 | 4.62 | 4.74 | V |
| V_{CCTP} | V_{CC} Trip Point (TOL = V_{CC}) | CAT1232LP | 4.25 | 4.37 | 4.49 | V |
| V_{CCTP} | V_{CC} Trip Point (TOL = GND) | CAT1832 | 2.80 | 2.88 | 2.97 | V |
| V_{CCTP} | V_{CC} Trip Point (TOL = V_{CC}) | CAT1832 | 2.47 | 2.55 | 2.64 | V |
| t_{TD} | Watchdog Time-Out Period | TD = GND | 62.5 | 150 | 250 | ms |
| t_{TD} | Watchdog Time-Out Period | TD = V_{CC} | 500 | 1200 | 2000 | ms |
| t_{TD} | Watchdog Time-Out Period | TD floating | 250 | 600 | 1000 | ms |
| V_{OH} | Output Voltage | $I = -500$ μ A ⁽³⁾ | $V_{CC} - 0.5$ V | $V_{CC} - 0.1$ V | | V |
| I_{OH} | Output Current | Output = 2.4 V ⁽²⁾ | | -350 | | μ A |
| I_{OL} | Output Current | Output = 0.4 V | 10 | | | mA |
| I_{IL} | Input Leakage | (1) | -1.0 | | 1.0 | μ A |
| R_{PU} | Internal Pull-Up Resistor | (1) | 32 | 40 | 55 | k Ω |
| C_{IN} | Input Capacitance | | | | 5 | pF |
| C_{OUT} | Output Capacitance | | | | 7 | pF |
| t_{PB} | \overline{PBRST} Manual Reset Minimum Low Time | $\overline{PBRST} = V_{IL}$ | 20 | | | ms |
| t_{RST} | Reset Active Time | | 250 | 600 | 1000 | ms |
| t_{ST} | \overline{ST} Pulse Width | (4) | 20 | | | ns |
| t_{RPD} | V_{CC} Fail Detect to RESET or RESET | | | 5 | 8 | μ s |
| t_F | V_{CC} Slew Rate | | 20 | | | μ s |
| t_{PDLY} | \overline{PBRST} Stable LOW to RESET and RESET Active | | | | 20 | ms |
| t_{RPU} | V_{CC} Detect to RESET or RESET Inactive | $t_{RISE} = 5$ μ s | 250 | 600 | 1000 | ms |
| t_R | V_{CC} Slew Rate | 4.25 V to 4.75 V | 0 | | | ns |

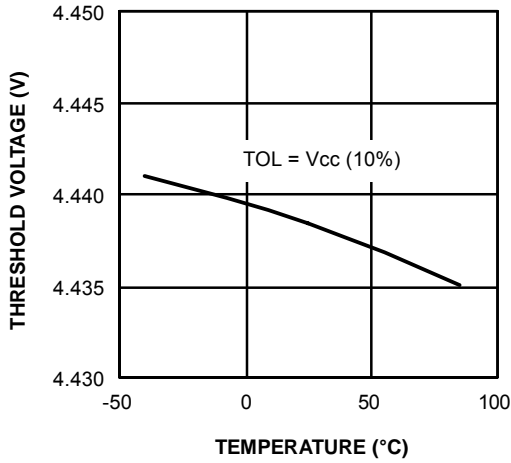
Notes:

- (1) \overline{PBRST} is internally pulled HIGH to V_{CC} through a nominal 40 k Ω resistor (RPU).
- (2) RESET is an open drain output on the CAT1232LP.
- (3) RESET remains within 0.5 V of V_{CC} on power-down until V_{CC} falls below 2 V. RESET remains within 0.5 V of ground on power-down until V_{CC} falls below 2.0 V.
- (4) Must not exceed the minimum watchdog time-out period (t_{TD}). The watchdog circuit cannot be disabled. To avoid a reset, \overline{ST} must be strobed.
- (5) Measured with $V_{CC} \geq 2.7$ V.
- (6) Measured with $V_{CC} < 2.7$ V.

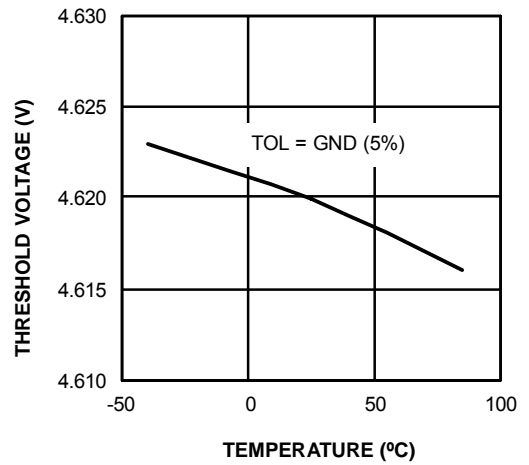
TYPICAL CHARACTERISTICS

For the CAT1232LP, $V_{CC} = 5\text{ V}$ and $T_{AMB} = 25^\circ\text{C}$ unless otherwise stated.

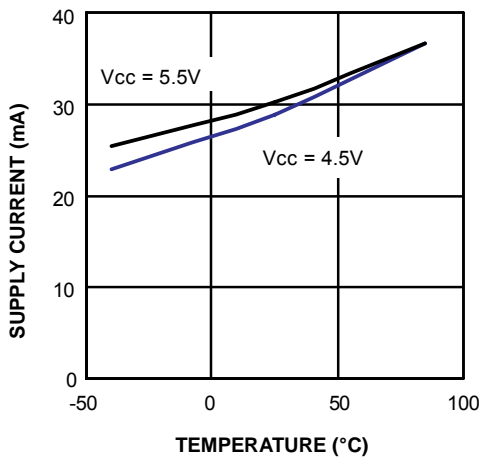
Threshold Voltage vs. Temperature (10% TOL)



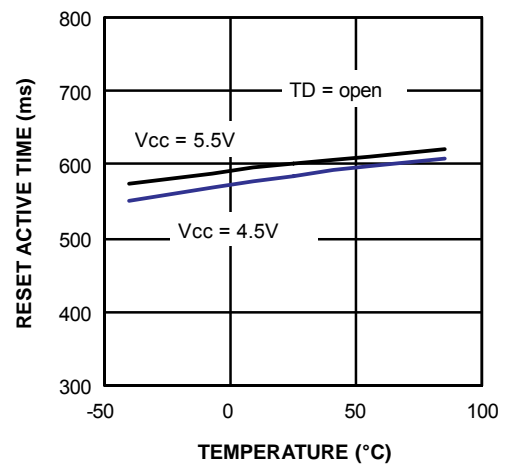
Threshold Voltage vs. Temperature (5% TOL)



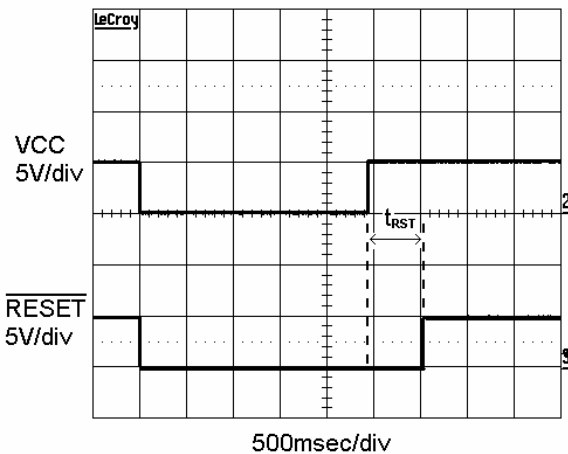
Supply Current vs. Temperature



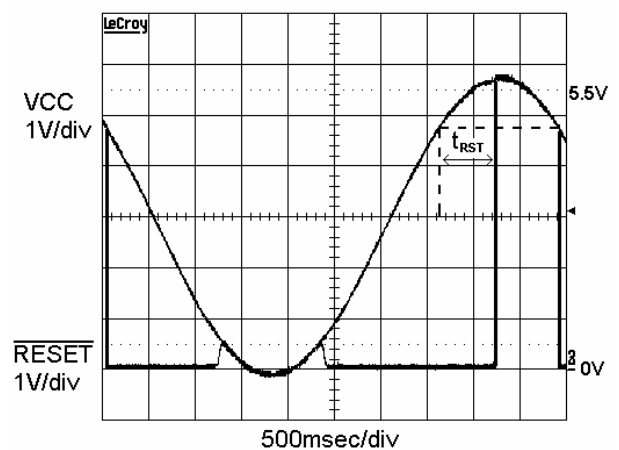
Reset Active Time vs. Temperature



Reset Active Time Waveform



Transient Response



APPLICATION INFORMATION

SUPPLY VOLTAGE MONITOR

Reset Signal Polarity and Output Stage Structure

$\overline{\text{RESET}}$ is an active LOW signal. It is developed with an open drain driver in the CAT1232LP. A pull-up resistor is required, typical values are 10 k Ω to 50 k Ω . The CAT1832 uses a CMOS push-pull output stage for the $\overline{\text{RESET}}$.

RESET is an active High signal developed by a CMOS push-pull output stage and is the logical opposite to $\overline{\text{RESET}}$.

Trip Point Tolerance Selection

The TOL input is used to select the V_{CC} trip point threshold. This selection is made connecting the TOL input to ground or V_{CC} . Connecting TOL to Ground makes the V_{CC} trip threshold 4.62 V for the CAT1232LP and 2.88 V for the CAT1832.

Connecting TOL to V_{CC} makes the V_{CC} trip threshold 4.37 V for the CAT1232LP and 2.55 V for the CAT1832.

After V_{CC} has risen above the trip point set by TOL, $\overline{\text{RESET}}$ and $\overline{\text{RESET}}$ remain active for a minimum time period of 250 ms.

On power-down, once V_{CC} falls below the reset threshold the $\overline{\text{RESET}}$ outputs will remain active and are guaranteed valid down to a V_{CC} level of 1.0 V.

| Tolerance Select Voltage | Trip Point Tolerance | Trip Point Voltage (V) | | |
|-----------------------------|----------------------|------------------------|---------|------|
| | | Min | Nominal | Max |
| CAT1232LP TOL = V_{CC} | 10 % | 4.25 | 4.37 | 4.49 |
| CAT1232LP TOL = GND | 5 % | 4.50 | 4.62 | 4.74 |
| CAT1832 TOL = V_{CC} | 20 % | 2.47 | 2.55 | 2.64 |
| CAT1832 TOL = GND | 10 % | 2.80 | 2.88 | 2.97 |

Manual Reset Operation

Push-button input, $\overline{\text{PBRST}}$, allows the user to issue reset signals. The pushbutton input is debounced and is pulled high through an internal 40 k Ω resistor.

When $\overline{\text{PBRST}}$ is held low for the minimum time of 20 ms, both resets become active and remain active for a minimum time period of 250 ms after $\overline{\text{PBRST}}$ returns high.

No external pull-up resistor is required, since $\overline{\text{PBRST}}$ is pulled high by an internal 40 k Ω resistor.

$\overline{\text{PBRST}}$ can be driven from a TTL or CMOS logic line or short-ed to ground with a mechanical switch.

Figure 1. Timing Diagram: Power Up

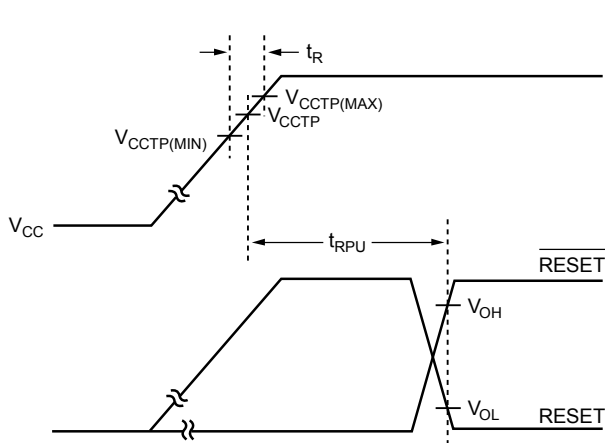
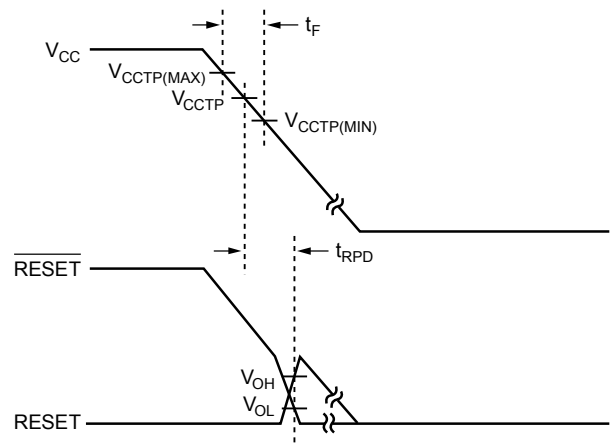


Figure 2. Timing Diagram: Power Down



WATCHDOG TIMER AND ST INPUT

A watchdog timer stops and restarts a microprocessor that has stopped proper operation or become “hung”. The watchdog performs this function by monitoring the \overline{ST} input. After the reset outputs go inactive the \overline{ST} input must be strobed with a high-to-low signal transition prior to the minimum watchdog timeout period. However if the \overline{ST} input is not strobed with a high-to-low signal transition prior to a watchdog timeout the reset outputs will become active for TRST resetting and restarting the microprocessor. Once the resets return to the inactive state the watchdog timer restarts the process.

The TD input allows the user to select from three predetermined watchdog timeout periods. Always use the minimum timeout period to determine the required frequency of \overline{ST} high-to-low transitions and the maximum to determine the time prior to the reset outputs becoming active. \overline{ST} pulse widths must be 20 ns or greater.

The watchdog timer cannot be disabled. It must be strobed with a high-to-low signal transition to avoid a watchdog timeout and subsequent reset.

| TD Voltage Level | Watchdog Time-out Period (ms) | | |
|------------------|-------------------------------|---------|------|
| | Min | Nominal | Max |
| GND | 62.5 | 150 | 250 |
| Floating | 250 | 600 | 1000 |
| V _{CC} | 500 | 1200 | 2000 |

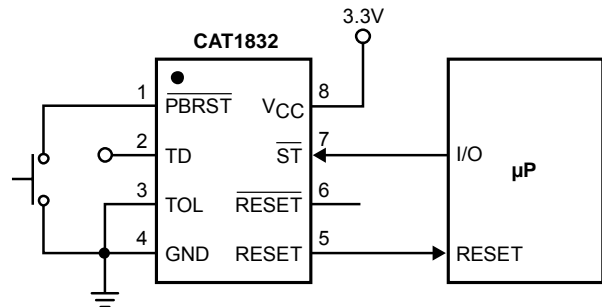


Figure 4. CAT1832 Application Circuit: Pushbutton Reset

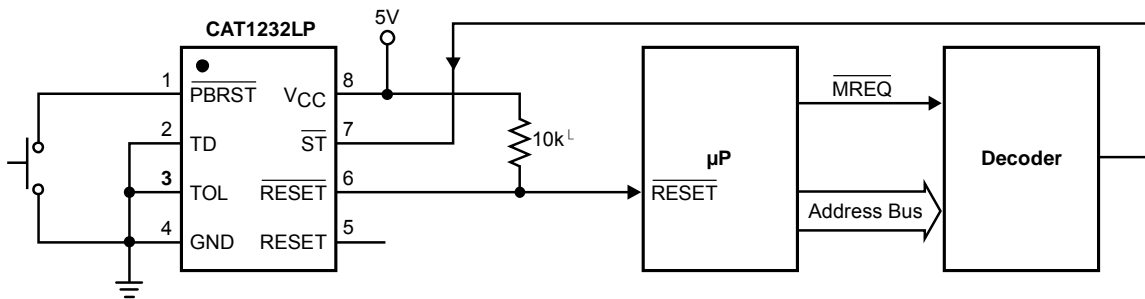


Figure 5. CAT1232LP Application Circuit: Watchdog Timer

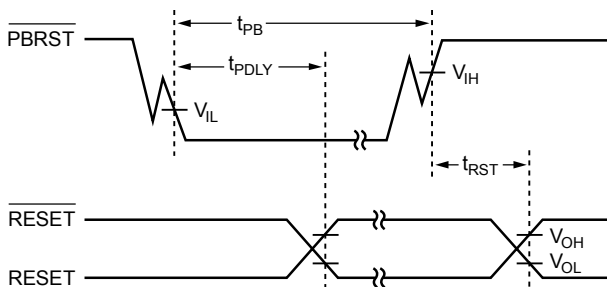
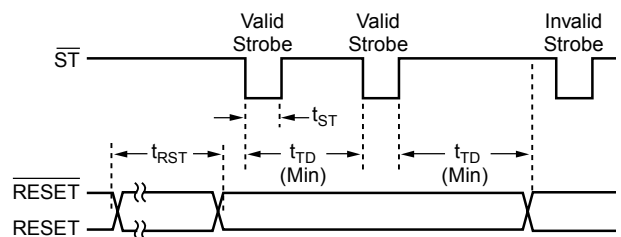


Figure 6. Timing Diagram: Pushbutton Reset

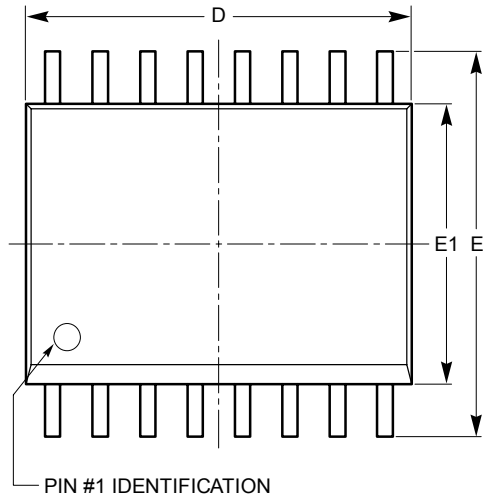


Note: \overline{ST} is ignored whenever a reset is active

Figure 7. Timing Diagram: Strobe Input

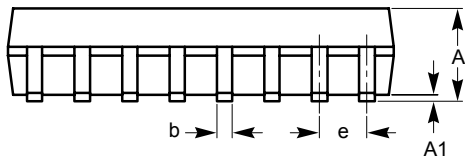
PACKAGE OUTLINE DRAWINGS

SOIC 16-Lead 300 mils (W)⁽¹⁾⁽²⁾

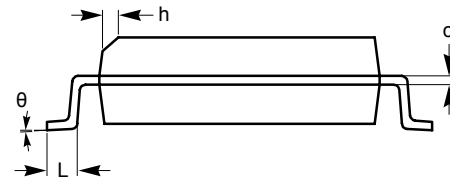


TOP VIEW

| SYMBOL | MIN | NOM | MAX |
|----------|----------|-------|-------|
| A | 2.36 | 2.49 | 2.64 |
| A1 | 0.10 | | 0.30 |
| b | 0.33 | 0.41 | 0.51 |
| c | 0.18 | 0.23 | 0.28 |
| D | 10.08 | 10.31 | 10.49 |
| E | 10.01 | 10.31 | 10.64 |
| E1 | 7.39 | 7.49 | 7.59 |
| e | 1.27 BSC | | |
| h | 0.25 | | 0.75 |
| L | 0.38 | 0.81 | 1.27 |
| θ | 0° | | 8° |



SIDE VIEW

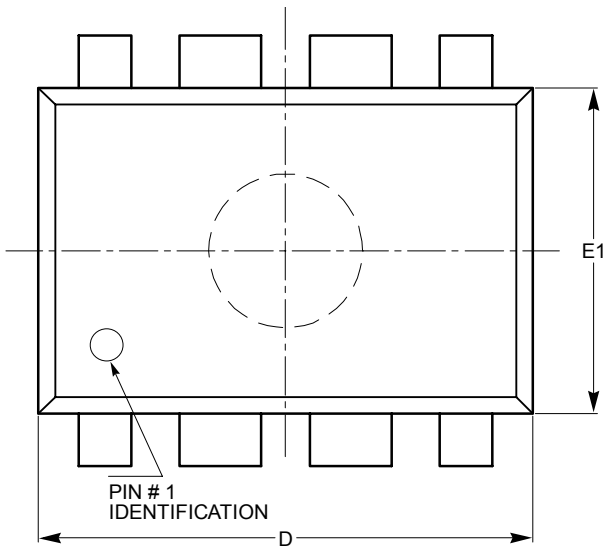


END VIEW

Notes:

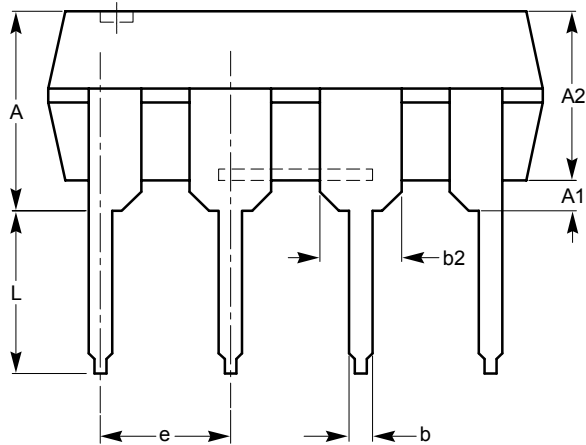
- (1) All dimensions are in millimeters.
- (2) Complies with JEDEC MS-013.

PDIP 8-Lead 300mils (L)⁽¹⁾⁽²⁾

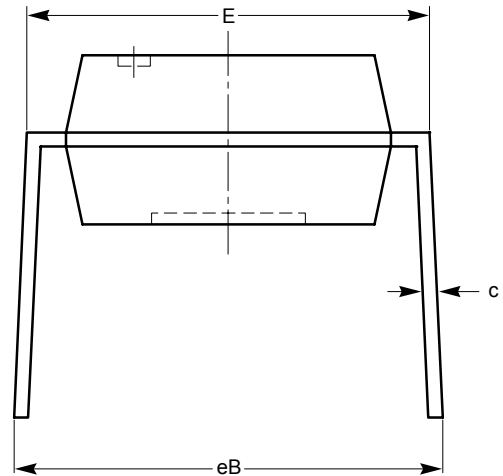


TOP VIEW

| SYMBOL | MIN | NOM | MAX |
|--------|----------|------|-------|
| A | | | 5.33 |
| A1 | 0.38 | | |
| A2 | 2.92 | 3.30 | 4.95 |
| b | 0.36 | 0.46 | 0.56 |
| b2 | 1.14 | 1.52 | 1.78 |
| c | 0.20 | 0.25 | 0.36 |
| D | 9.02 | 9.27 | 10.16 |
| E | 7.62 | 7.87 | 8.25 |
| e | 2.54 BSC | | |
| E1 | 6.10 | 6.35 | 7.11 |
| eB | 7.87 | | 10.92 |
| L | 2.92 | 3.30 | 3.80 |



SIDE VIEW

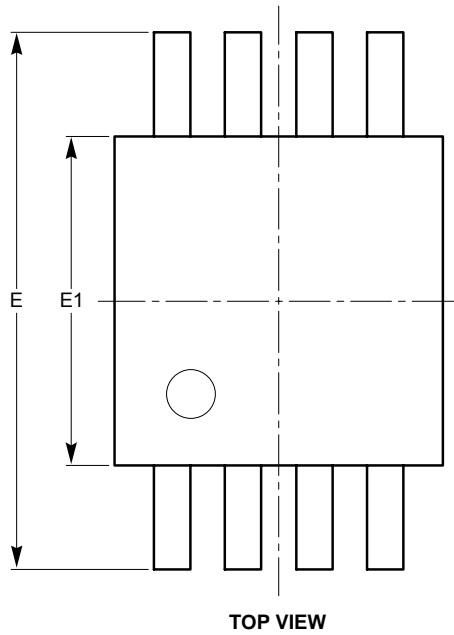


END VIEW

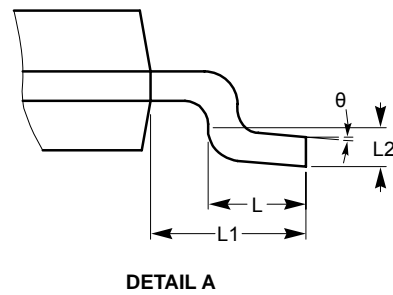
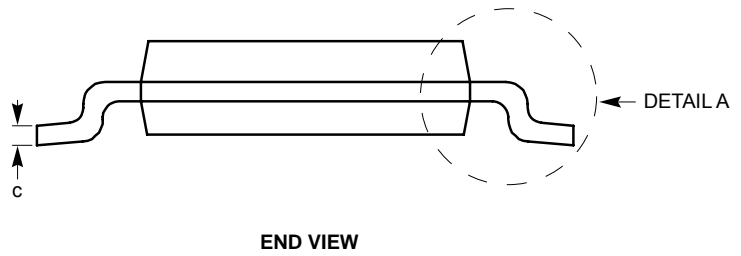
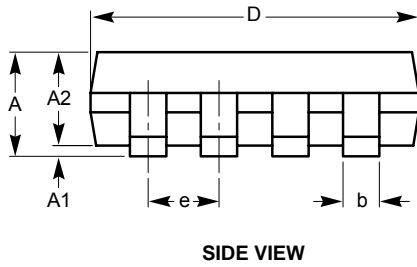
Notes:

- (1) All dimensions are in millimeters.
- (2) Complies with JEDEC MS-001.

MSOP 8-Lead (Z) ⁽¹⁾⁽²⁾



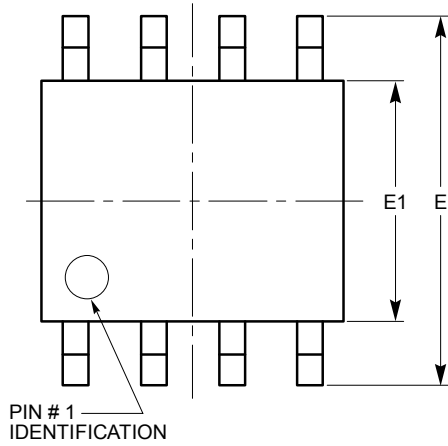
| SYMBOL | MIN | NOM | MAX |
|----------|----------|------|------|
| A | | | 1.10 |
| A1 | 0.05 | 0.10 | 0.15 |
| A2 | 0.75 | 0.85 | 0.95 |
| b | 0.22 | | 0.38 |
| c | 0.13 | | 0.23 |
| D | 2.90 | 3.00 | 3.10 |
| E | 4.80 | 4.90 | 5.00 |
| E1 | 2.90 | 3.00 | 3.10 |
| e | 0.65 BSC | | |
| L | 0.40 | 0.60 | 0.80 |
| L1 | 0.95 REF | | |
| L2 | 0.25 BSC | | |
| θ | 0° | | 6° |



Notes:

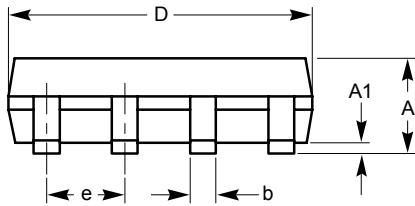
- (1) All dimensions are in millimeters. Angles in degrees.
- (2) Complies with JEDEC MO-187.

SOIC 8-Lead 150mils (V) ⁽¹⁾⁽²⁾

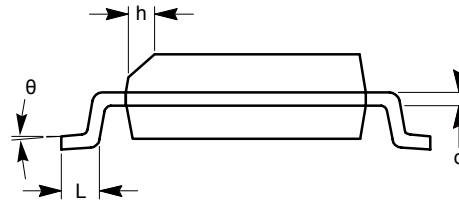


TOP VIEW

| SYMBOL | MIN | NOM | MAX |
|----------|----------|-----|------|
| A | 1.35 | | 1.75 |
| A1 | 0.10 | | 0.25 |
| b | 0.33 | | 0.51 |
| c | 0.19 | | 0.25 |
| D | 4.80 | | 5.00 |
| E | 5.80 | | 6.20 |
| E1 | 3.80 | | 4.00 |
| e | 1.27 BSC | | |
| h | 0.25 | | 0.50 |
| L | 0.40 | | 1.27 |
| θ | 0° | | 8° |



SIDE VIEW

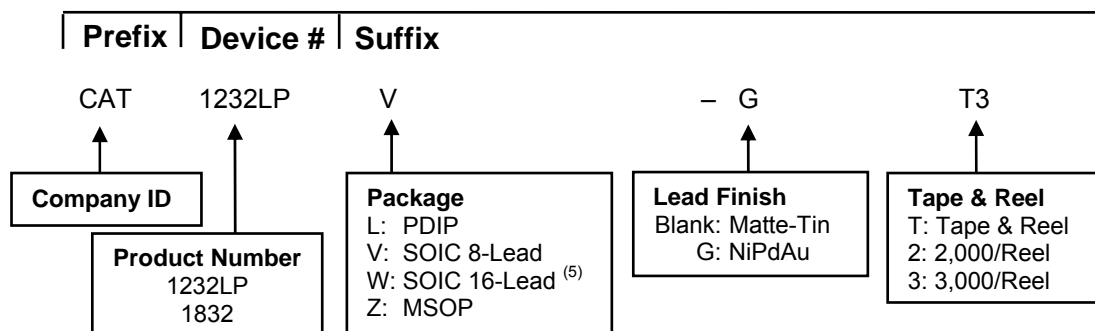


END VIEW

Notes:

- (1) All dimensions are in millimeters. Angles in degrees.
- (2) Complies with JEDEC MS-012.

EXAMPLE OF ORDERING INFORMATION




| ORDERING PART NUMBER | Package | Parts per Tube | Parts Per Reel | Reel Size (inch) |
|----------------------|---------------|----------------|----------------|------------------|
| CAT1232LPL-G | 8-lead, PDIP | 50 | — | — |
| CAT1232LPV-GT3 | 8-lead, SOIC | — | 3,000 | 13 |
| CAT1232LPZ-GT3 | 8-lead, MSOP | — | 3,000 | 13 |
| CAT1232LPW-T2 | 16-lead, SOIC | — | 2,000 | 13 |
| CAT1832L-G | 8-lead, PDIP | 50 | — | — |
| CAT1832V-GT3 | 8-lead, SOIC | — | 3,000 | 13 |
| CAT1832Z-GT3 | 8-lead, MSOP | — | 3,000 | 13 |

Notes:

- (1) All packages are RoHS-compliant (Lead-free, Halogen-free).
- (2) The standard lead finish is NiPdAu.
- (3) The device used in the above example is a CAT1232LPV-GT3 (SOIC 8-Lead, NiPdAu, Tape & Reel).
- (4) For additional package and temperature options, please contact your nearest ON Semiconductor Sales office.
- (5) The SOIC 16-Lead package is only available in Matte-Tin finish.

REVISION HISTORY

| Date | Rev. | Description |
|-----------|------|---|
| 13-Jun-05 | 00 | Initial Issue |
| 26-Jul-05 | 0A | Update Electrical Characteristics Add Typical Characteristics |
| 37-Mar-06 | 0B | Update Document Title Update Ordering Information |
| 27-Nov-06 | 0C | Add Ordering Information detail to page 1 Update Sample of Ordering Information |
| 13-Nov-07 | D | Update Package Outline Drawings Update Example of Ordering Information Change document number from 25088, Rev. 0C |
| 06-Nov-08 | E | Change logo and fine print to ON Semiconductor |
| 09-Mar-09 | F | Update Example of Ordering Information |

ON Semiconductor and  are registered trademarks of Semiconductor Components Industries, LLC (SCILLC). SCILLC reserves the right to make changes without further notice to any products herein. SCILLC makes no warranty, representation or guarantee regarding the suitability of its products for any particular purpose, nor does SCILLC assume any liability arising out of the application or use of any product or circuit, and specifically disclaims any and all liability, including without limitation special, consequential or incidental damages. "Typical" parameters which may be provided in SCILLC data sheets and/or specifications can and do vary in different applications and actual performance may vary over time. All operating parameters, including "Typicals" must be validated for each customer application by customer's technical experts. SCILLC does not convey any license under its patent rights nor the rights of others. SCILLC products are not designed, intended, or authorized for use as components in systems intended for surgical implant into the body, or other applications intended to support or sustain life, or for any other application in which the failure of the SCILLC product could create a situation where personal injury or death may occur. Should Buyer purchase or use SCILLC products for any such unintended or unauthorized application, Buyer shall indemnify and hold SCILLC and its officers, employees, subsidiaries, affiliates, and distributors harmless against all claims, costs, damages, and expenses, and reasonable attorney fees arising out of, directly or indirectly, any claim of personal injury or death associated with such unintended or unauthorized use, even if such claim alleges that SCILLC was negligent regarding the design or manufacture of the part. SCILLC is an Equal Opportunity/Affirmative Action Employer. This literature is subject to all applicable copyright laws and is not for resale in any manner.

PUBLICATION ORDERING INFORMATION

LITERATURE FULFILLMENT:

Literature Distribution Center for ON Semiconductor
P.O. Box 5163, Denver, Colorado 80217 USA
Phone: 303-675-2175 or 800-344-3860 Toll Free USA/Canada
Fax: 303-675-2176 or 800-344-3867 Toll Free USA/Canada
Email: orderlit@onsemi.com

N. American Technical Support: 800-282-9855 Toll Free
USA/Canada
Europe, Middle East and Africa Technical Support:
Phone: 421 33 790 2910
Japan Customer Focus Center:
Phone: 81-3-5773-3850

ON Semiconductor Website: www.onsemi.com

Order Literature: <http://www.onsemi.com/orderlit>

For additional information, please contact your local Sales Representative

Mouser Electronics

Authorized Distributor

Click to View Pricing, Inventory, Delivery & Lifecycle Information:

[ON Semiconductor:](#)

[CAT1832L-G](#) [CAT1832V-GT3](#) [CAT1832Z-GT3](#)