

THIS DRAWING IS UNPUBLISHED.

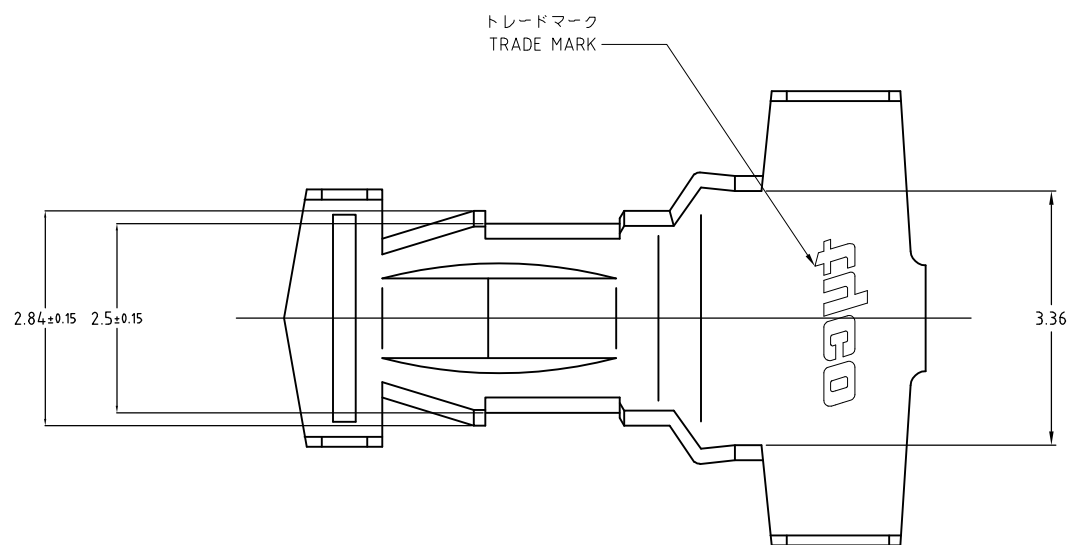
RELEASED FOR PUBLICATION

-. -. .

© COPYRIGHT - Tyco Electronics Japan G.K.

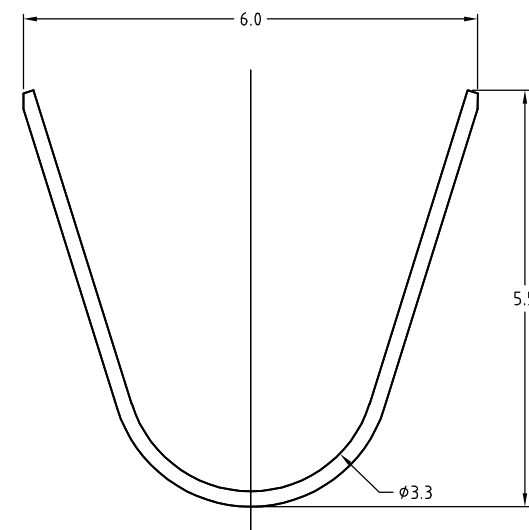
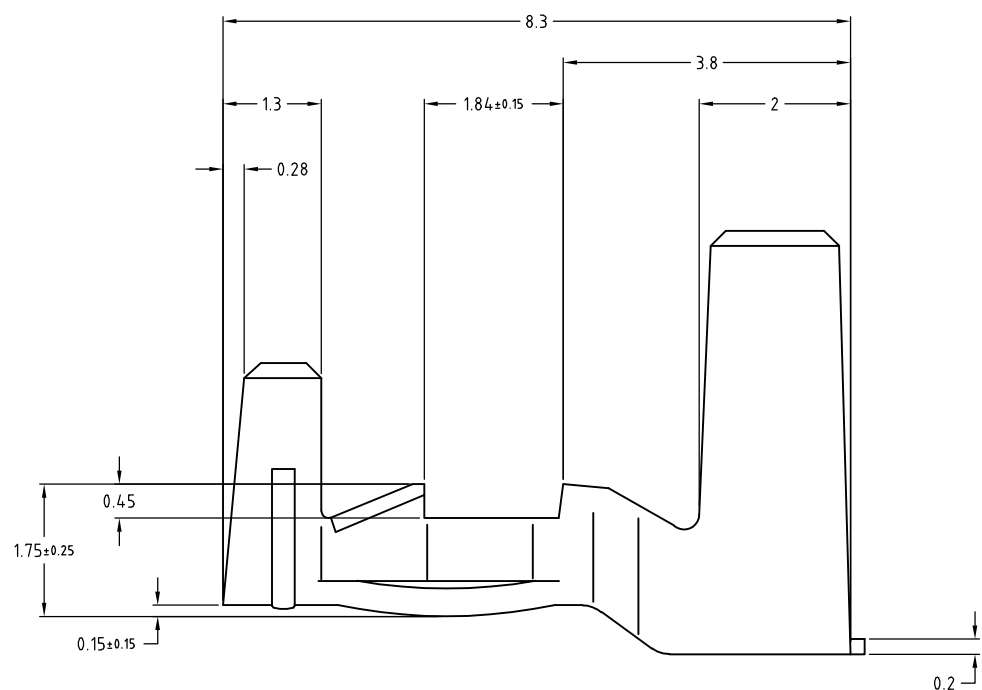
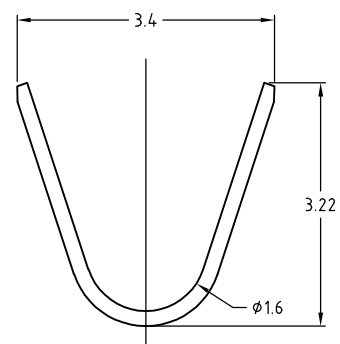
ALL RIGHTS RESERVED.

LOC	DIST	REVISIONS					
		P	LTR	DESCRIPTION	DATE	DWN	APVD
J			B	REVISED	29NOV2012	K.S	N.Y



- 注；
- 適用電線 AWG#14、被覆外径 φ3.4~φ3.8
 - 推奨基板孔径 φ2.5~φ2.6
 - 推奨基板板厚 t1.6

- NOTES;
- APPLICABLE WIRE ; AWG#14, IND DIA φ3.4~φ3.8
 - RECOMMEND P.C.B HOLL DIA ; φ2.5~φ2.6
 - RECOMMEND P.C.B THICKNESS ; t1.6



1871865-1
型番 P/N

THIS DRAWING IS A CONTROLLED DOCUMENT.		DWN M.SUZUKI 31AUG2005	STE TE Connectivity																			
DIMENSIONS: 単位: 耗 mm		CHK N.YAMASAKI 01SEP05																				
TOLERANCES UNLESS OTHERWISE SPECIFIED: 一般公差		APVD N.YAMASAKI 01SEP05	NAME 名称 BOARD IN CONTACT M-TYPE																			
<table border="1"> <tr><td>0</td><td>PLØ</td><td>± 0.3</td></tr> <tr><td>1</td><td>PLC</td><td>±</td></tr> <tr><td>2</td><td>PLC</td><td>±</td></tr> <tr><td>3</td><td>PLC</td><td>±</td></tr> <tr><td>4</td><td>PLØ</td><td>±</td></tr> <tr><td colspan="2">ANGLES</td><td>± 1DEG</td></tr> </table>		0	PLØ	± 0.3	1	PLC	±	2	PLC	±	3	PLC	±	4	PLØ	±	ANGLES		± 1DEG	PRODUCT SPEC 製品規格 108-78343	RESTRICTED TO —	
0	PLØ	± 0.3																				
1	PLC	±																				
2	PLC	±																				
3	PLC	±																				
4	PLØ	±																				
ANGLES		± 1DEG																				
MATERIAL 材料 BRASS 黄銅		FINISH 仕上 TIN 錫	APPLICATION SPEC 取付適用規格 114-5388	SIZE A3	CAGE CODE 00779																	
		WEIGHT	DRAWING NO 番号 C-1871865	SCALE 尺度 10:1	SHEET 1 OF 1																	
CUSTOMER DRAWING			REV B																			

Mouser Electronics

Authorized Distributor

Click to View Pricing, Inventory, Delivery & Lifecycle Information:

[TE Connectivity:](#)

[1871865-1](#)