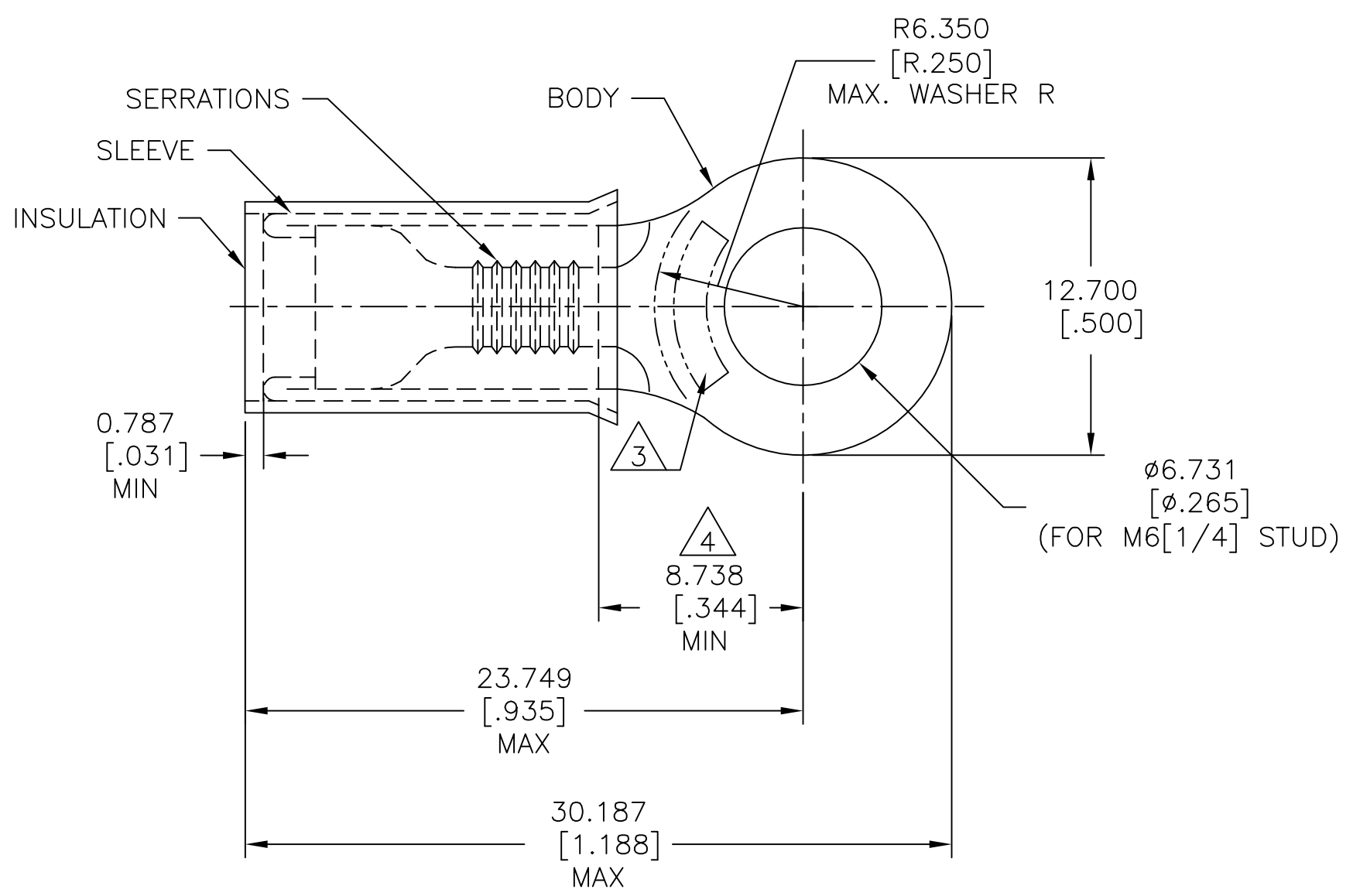


REVISIONS				
P	LTR	DESCRIPTION	DATE	APVD
	J2	REDRAWN PER ECO-17-007400	11DEC2017	RS DR



<b>AMP</b> WIRE RANGE	Listed FILE E13288	LR7189 Certified
12-10 AWG SOLID OR STRANDED	12-10 AWG SOLID OR STRANDED	12-10 AWG SOLID OR STRANDED

- 1 FOR  $\phi 3.810$  [Ø.150] TO  $\phi 5.842$  [Ø.230] INSULATION.
- 2 BODY MATERIAL THICKNESS:  $1.016 \pm 0.051$  [.040 ± .002]
- 3 STAMP AMP 12-10\* APPROX AS SHOWN.
- 4 APPLIES FROM EDGE OF METAL WIRE BARREL TO CENTER OF STUD HOLE.
- 5 MATERIAL:  
BODY & SLEEVE: COPPER PER ASTM B152  
INSULATION: NYLON.
- 6 FINISH:  
BODY & SLEEVE: TIN PLATE PER ASTM B545  
INSULATION: COLOR-YELLOW.

2500	ON TAPE	2-35273-2
500	LOOSE PIECE	35273
QTY.	PACKAGE TYPE	PART NO.

AMP INCORPORATED CUSTOMER SERVICE SYSTEMS		MAX RECOMMENDED OPERATING TEMPERATURE: 105°C [221°F]	THIS DRAWING IS A CONTROLLED DOCUMENT.		DWN RAVI S 11DEC2017	TE Connectivity			
FOR ADDITIONAL PRODUCT INFORMATION OR COPIES OF DRAWINGS AND TECHNICAL DOCUMENTS	PRODUCT INFORMATION CENTER 1-800-522-6752	VOLTAGE RATING: 300 V MAX	DIMENSIONS: mm [INCHES]	TOLERANCES UNLESS OTHERWISE SPECIFIED:	CHK ROHDE DANIEL F 11DEC2017				NAME
FOR APPLICATION TOOLING INFORMATION	TOOLING ASSISTANCE CENTER 1-800-722-1111	CIRCULAR MIL AREA: 2.62-6.64mm² [5,180-13,100] SOLID OR STRANDED		0 PLC ± - 1 PLC ± - 2 PLC ± - 3 PLC ± 0.127[.005] 4 PLC ± - ANGLES ± 5°	APVD ROHDE DANIEL F 11DEC2017	WIRE TERMINAL, P.I.D.G, RING TONGUE, WIRE SIZE: 12-10			
FOR ORDER ENTRY	1-800-526-5142	THIS DRAWING IS A CONTROLLED DOCUMENT FOR AMP INCORPORATED. IT IS SUBJECT TO CHANGE AND THE CONTROLLING ENGINEERING ORGANIZATION SHOULD BE CONTACTED FOR THE LATEST REVISION.	MATERIAL 5	FINISH 6	PRODUCT SPEC UL 486 A-B	SIZE	CAGE CODE	DRAWING NO	RESTRICTED TO
					APPLICATION SPEC 114-2157	A3	00779	C=35273	
					WEIGHT -	CUSTOMER DRAWING			SCALE 4:1
					SHEET 1 OF 1			REV J2	

# Mouser Electronics

Authorized Distributor

Click to View Pricing, Inventory, Delivery & Lifecycle Information:

[TE Connectivity:](#)

[8-35273-2](#)