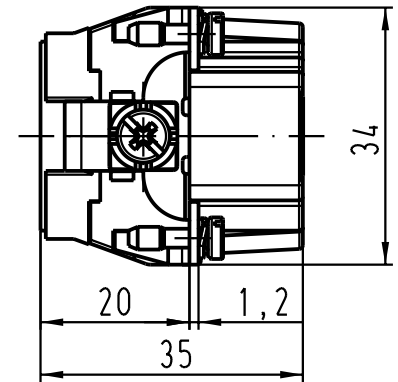
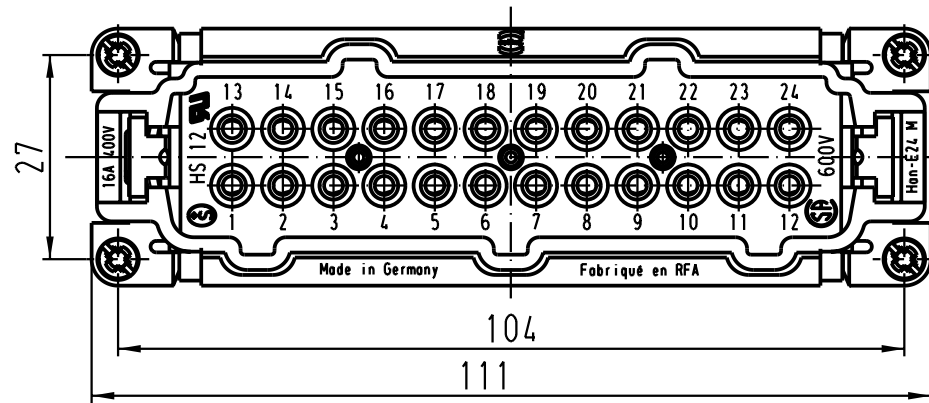
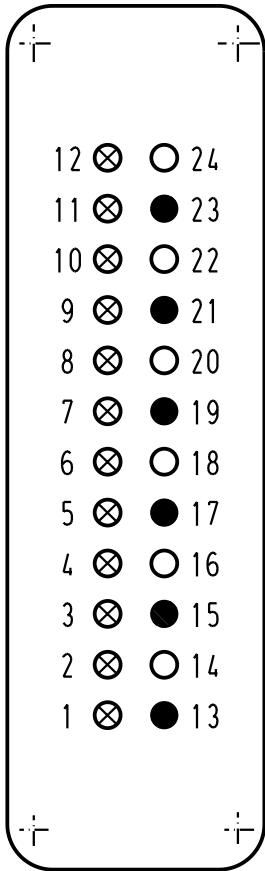
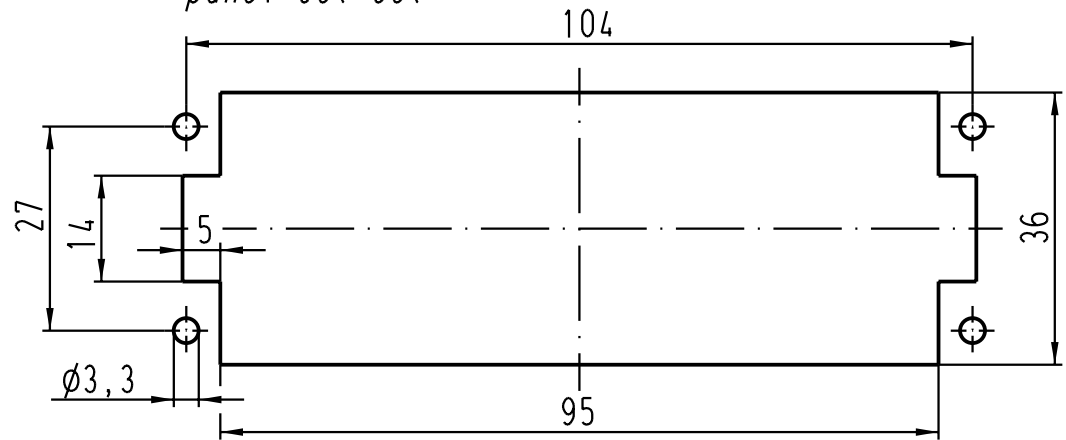


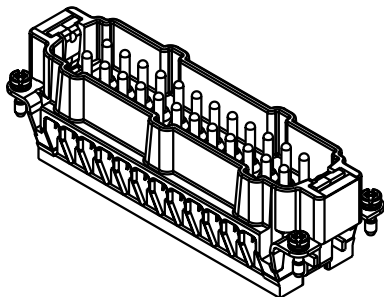
Ansicht Anschlussseite/
view from termination side



Montageausschnitt /
panel cut out



- ⊗ Kontakte (Standard)
contacts (standard)
- Kontakte Fe (vergoldet)
contacts Fe (goldplated)
- Kontakte CuNi
contacts CuNi



All Dimensions in mm Original Size DIN A 4		Techn. Character.			Nicht tolerierte Masse/ Free size tolerances	
			Dat.	Name	Massstab/ Scale	
			Detail.	18.03.99	ROH	1:1
			Insp.		G.SCH.	
			Stand.			
410694	19.09.03	Ho	HARTING Electric GmbH & Co. KG		TB 09 33 024 2689 Sub. TB 09 33 024 2689 v. 18.03.99	
410561	18.06.03	DY	D-32339 Espelkamp			
25621					Blatt/ page	
Mod.	Dat.	Name				

Mouser Electronics

Authorized Distributor

Click to View Pricing, Inventory, Delivery & Lifecycle Information:

[HARTING:](#)

[09330242691](#)