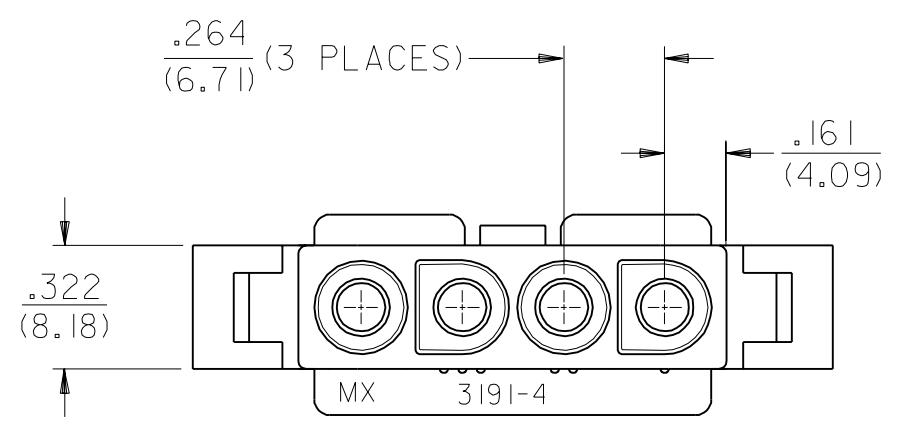


PLUG HOUSING



3	J3
2	J3
1	J3

REDRAWN ON CAD EC NO. UCR1998-0254 DRWN: J. WANG 00/06/07 CHK: WIRKUS 00/06/07 APPR: R. EDGLEY 00/06/07	QUALITY SYMBOLS	GENERAL TOLERANCES: (UNLESS SPECIFIED)	SCALE 2 : 1	DESIGN UNITS <input type="checkbox"/> mm <input checked="" type="checkbox"/> INCH	THIRD ANGLE PROJECTION <input checked="" type="checkbox"/> mm <input type="checkbox"/> INCH	DIMENSIONS: <input type="checkbox"/> mm <input checked="" type="checkbox"/> INCH <input type="checkbox"/> mm ONLY	SHT REV
	MAJOR $\nabla=0$	4 PLACES $\pm 0.---$ INCH $\pm .---$	DRAWN BY & DATE	TITLE: .093/(2.36) HOUSINGS			
	CRITICAL $\nabla c=0$	3 PLACES $\pm 0.---$ INCH ± 0.10	CHECKED BY & DATE	PLUG AND RECEPTACLE			
		2 PLACES ± 0.25 INCH ± 0.15	APPROVED BY & DATE	4-CKTS, .264/(6.70) CTRS			
	1 PLACE ± 0.38 INCH $\pm .---$	R. EDGLEY 98/08/24	MOLEX INCORPORATED				
	ANGULAR: $\pm 1^\circ$	CAD FILENAME	S3191401.DGN	MATERIAL NO.	DRAWING NO.	SHEET NO.	
J3	REV	DRAFT WHERE APPLICABLE MUST REMAIN WITHIN DIMENSIONS		SEE SHT. 3	SD -3191 -4*	1 OF 3	
THIS DRAWING CONTAINS INFORMATION THAT IS PROPRIETARY TO MOLEX INCORPORATED AND SHOULD NOT BE USED WITHOUT WRITTEN PERMISSION.						SIZE C	

PLUG	
PART NO.	ENG. NO.
19-09-2048	3191-4P
19-09-2049	3191-4P1
19-09-2047	3191-4P-A
19-09-2046	3191-4P1-A

RECEPTACLE	
PART NO.	ENG. NO.
19-09-1049	3191-4R1
19-09-1046	3191-4R1-A

LEGEND

3191-4***-*

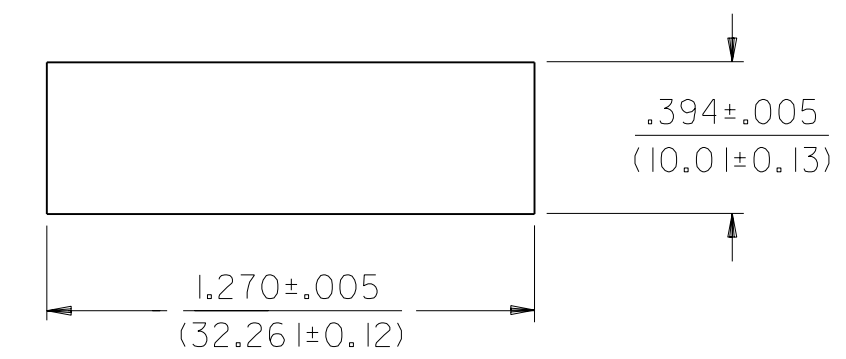
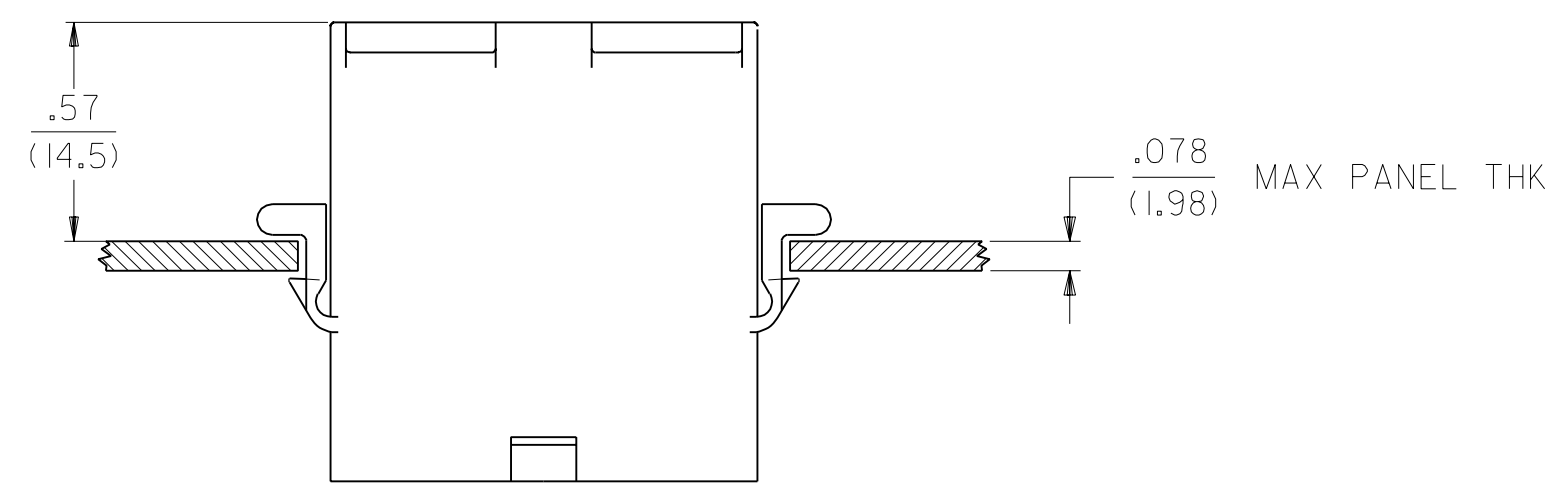
CIRCUIT SIZE

P = PLUG
R = RECEPTACLE

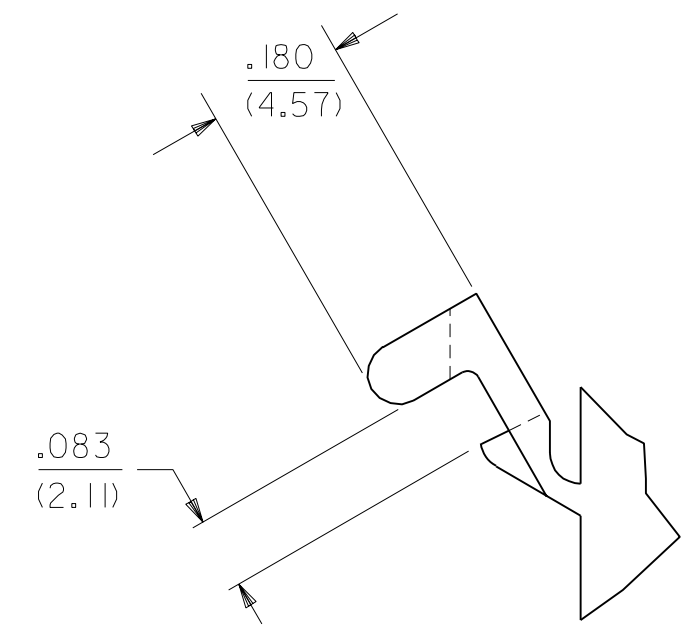
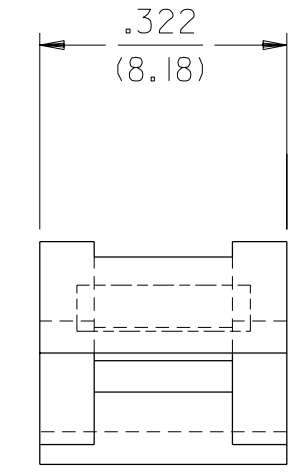
EARS: BLANK = WITH PREBENT EARS (PLUG ONLY)
I = WITHOUT EARS

COLOR: BLANK = NATURAL COLOR
AM=AMBER BK=BLACK BU=BLUE
BN=BROWN GY=GRAY GN=GREEN
OR=ORANGE RD=RED YW=YELLOW
COLORS AVAILABLE ONLY IN 94V-2 MATERIAL

MATERIAL: BLANK=NYLON TYPE 6/6, 94V-2 COLOR:NATURAL
A=NYLON TYPE 6/6, 94V-0 COLOR:WHITE



RECOMMENDED HOLE CUTOUT



DETAIL "A"
.093/(2.36) PREBENT MOUNTING EAR
(SCALE 4:1)

EC NO. UCR1998-0254 DRWN: J.WANG 00/06/07 CHK: B.WIRKUS 00/06/07 APPR: R.EDGLEY 00/06/07	QUALITY SYMBOLS MAJOR $\nabla=0$ CRITICAL $\nabla C=0$	GENERAL TOLERANCES: (UNLESS SPECIFIED)	SCALE 2 : 1 DESIGN UNITS <input type="checkbox"/> mm <input checked="" type="checkbox"/> INCH	THIRD ANGLE PROJECTION <input checked="" type="checkbox"/>	DIMENSIONS: <input type="checkbox"/> mm <input checked="" type="checkbox"/> INCH <input type="checkbox"/> mm ONLY	SHT REV
	REV DESCRIPTION	4 PLACES ±0.--- ±.--- 3 PLACES ±0.--- ±.010 2 PLACES ±0.25 ±.015 1 PLACE ±0.38 ±.---	DRAWN BY & DATE J.WANG 98/08/18	TITLE: .093/(2.36) HOUSINGS PLUG AND RECEPTACLE 4-CKTS, .264/(6.70) CTRS		
	ANGULAR: ±1 °	DRAFT WHERE APPLICABLE MUST REMAIN WITHIN DIMENSIONS	CHECKED BY & DATE B.WIRKUS 98/08/18	MOLEX INCORPORATED		
	J3	CAD FILENAME S3191403.DGN	MATERIAL NO. SEE SHT.3	DRAWING NO. SD -3191 -4*	SHEET NO. 3	SIZE C

THIS DRAWING CONTAINS INFORMATION THAT IS PROPRIETARY TO MOLEX INCORPORATED AND SHOULD NOT BE USED WITHOUT WRITTEN PERMISSION.