

**PLEASE CHECK WWW.MOLEX.COM FOR LATEST PART INFORMATION**

**Part Number:** **0190050016**  
**Status:** **Active**  
**Overview:** Standard Quick-Disconnect Terminals  
**Description:** InsulKrimp Quick Disconnect, Female, Box, Tab 6.35 x 0.81mm

**Documents:**

[Drawing \(PDF\)](#) [Product Specification PS-19902-013-001 \(PDF\)](#)  
[Product Specification PS-19902-008-001 \(PDF\)](#) [RoHS Certificate of Compliance \(PDF\)](#)  
[Product Specification PS-19902-011-001 \(PDF\)](#)

**Agency Certification**

CSA LR18689  
 UL E79133

**General**

Product Family Quick Disconnects  
 Series 19005  
 Crimp Quality Equipment Yes  
 Insulated Fully  
 Overview Standard Quick-Disconnect Terminals  
 Product Name InsulKrimp  
 Type Quick Disconnect  
 UPC 800753030671

**Physical**

Barrel Type Closed  
 Color - Resin Yellow  
 Flammability 94V-0, 94V-2  
 Gender Female  
 Glow-Wire Capable No  
 Insulation Nylon (PA)  
 Lock to Mating Part None  
 Material - Metal Brass  
 Material - Plating Mating Tin  
 Material - Plating Termination Tin  
 Material - Resin Nylon  
 Net Weight 1.506/g  
 Orientation Straight  
 Packaging Type Bag  
 Tab Thickness 0.81mm  
 Tab Width 6.35mm  
 Wire Size AWG 10, 12

**Electrical**

Voltage - Maximum 600V

**Solder Process Data**

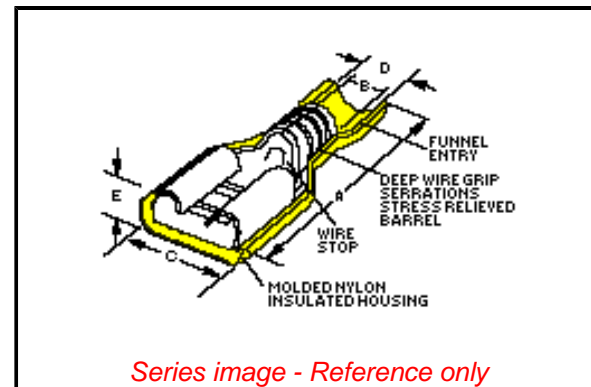
Lead-free Process Capability N/A

**Material Info**

Engineering Number C-2265VN

**Reference - Drawing Numbers**

Product Specification PS-19902-008-001, PS-19902-011-001,  
 PS-19902-013-001  
 Sales Drawing SD-19003-004-001



*Series image - Reference only*

**EU ELV**

**Not Relevant**

**EU RoHS**

**Compliant**

**REACH SVHC**

Not Contained Per -  
 ECHA\_01\_2020 (16  
 January 2020

**Halogen-Free**

**Status**

**Not Low-Halogen**

For more information, please visit [Contact US](#)

China ROHS

ELV

RoHS Phthalates

**China RoHS**

Green Image

Not Relevant

Not Contained

**Search Parts in this Series**

19005 Series

This document was generated on 04/13/2020

**PLEASE CHECK [WWW.MOLEX.COM](http://WWW.MOLEX.COM) FOR LATEST PART INFORMATION**

# Mouser Electronics

Authorized Distributor

Click to View Pricing, Inventory, Delivery & Lifecycle Information:

[Molex:](#)

[19005-0016](#)