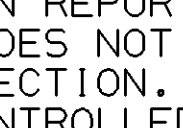
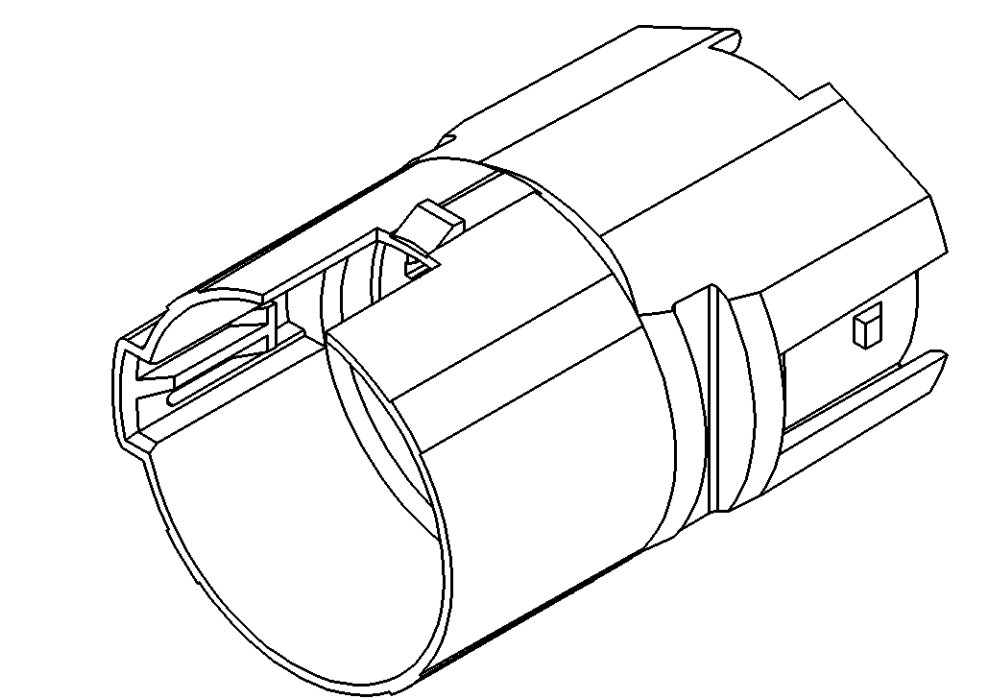
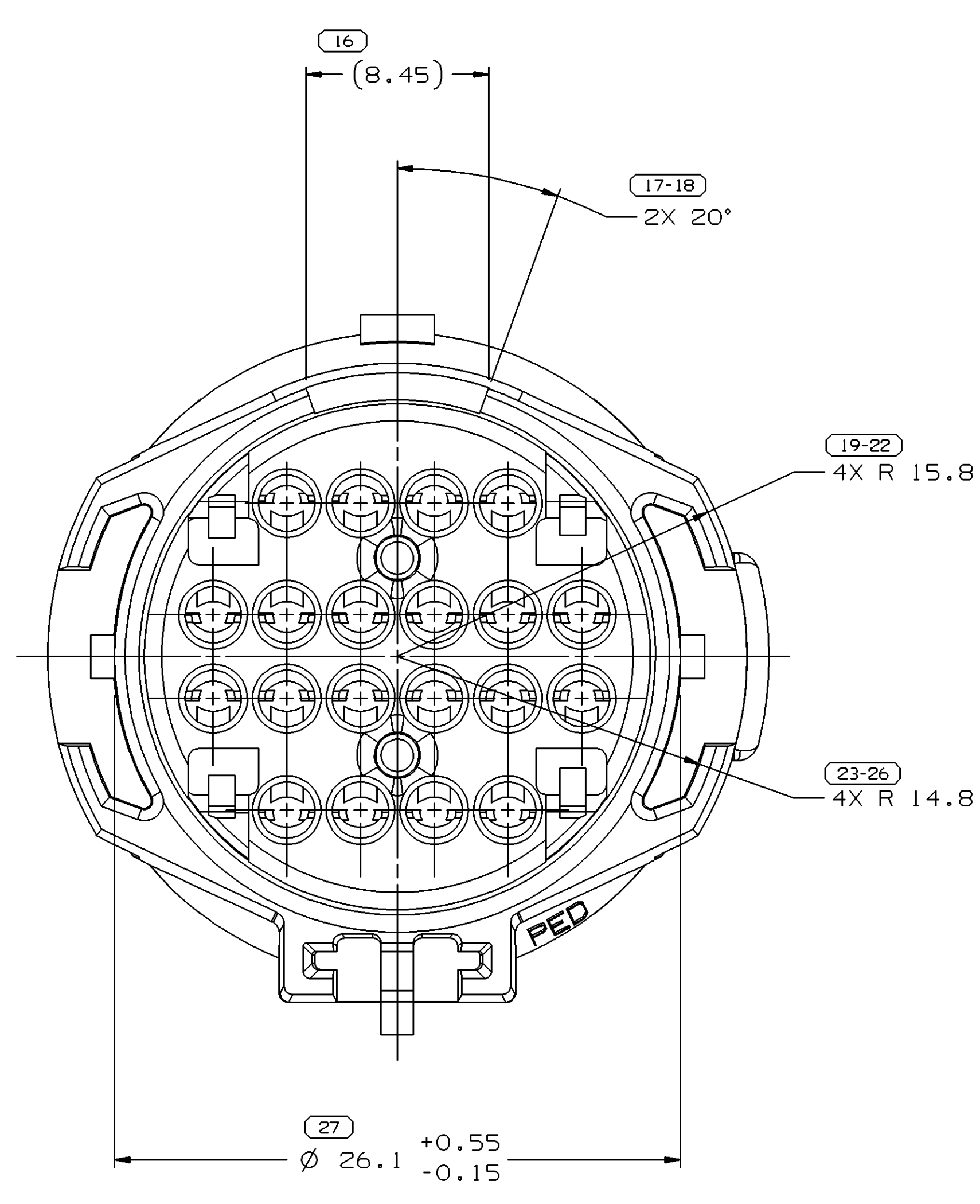
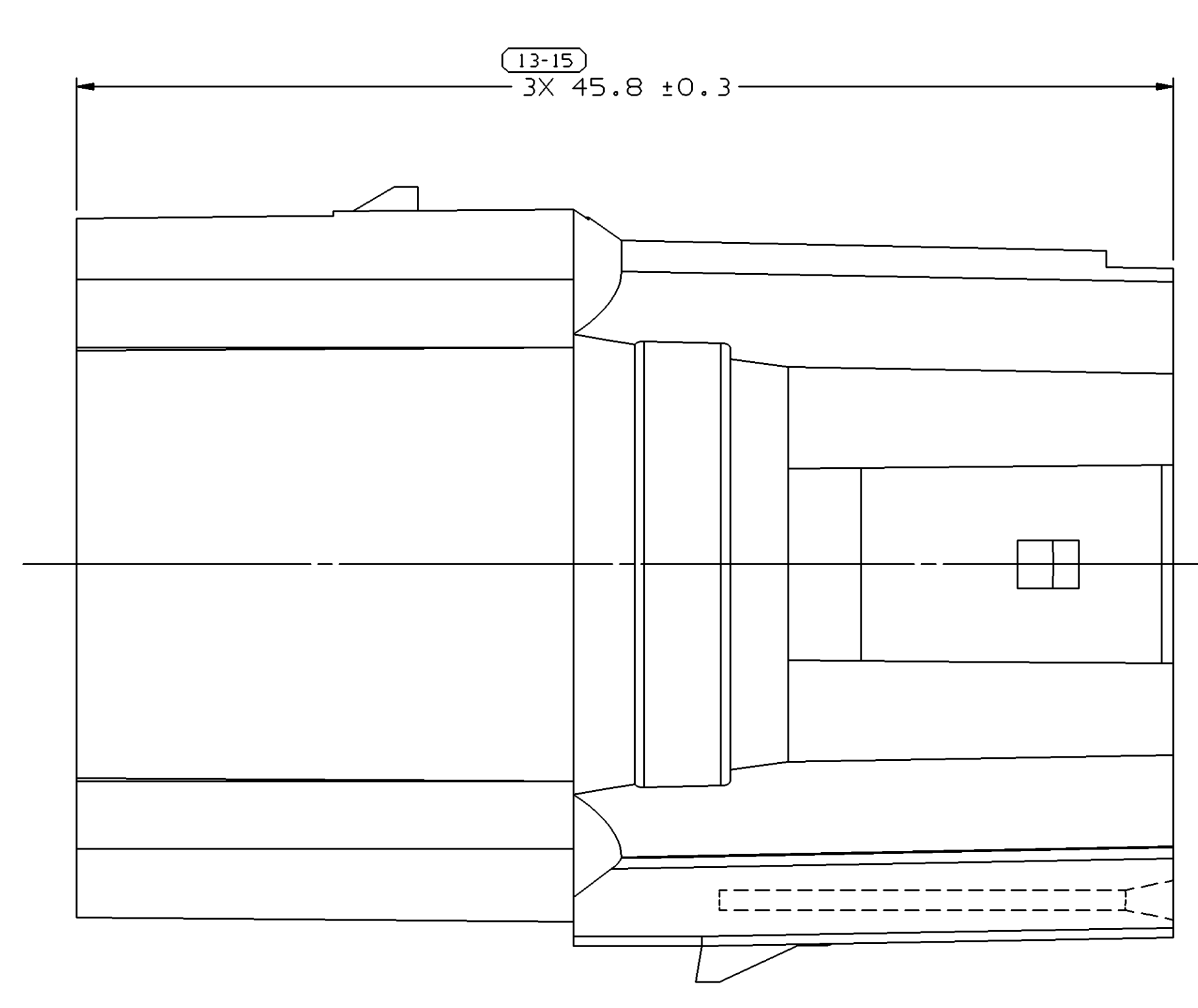
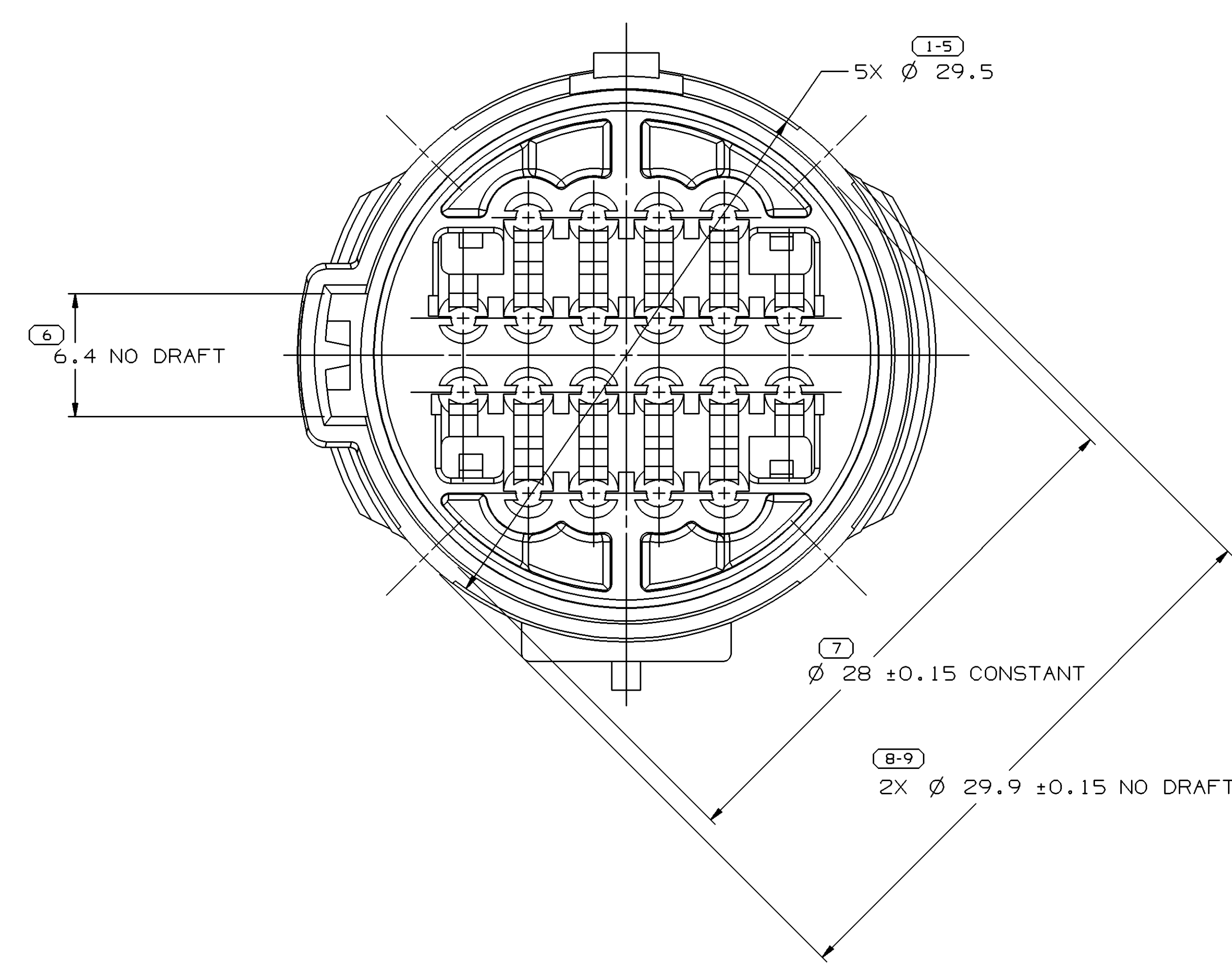
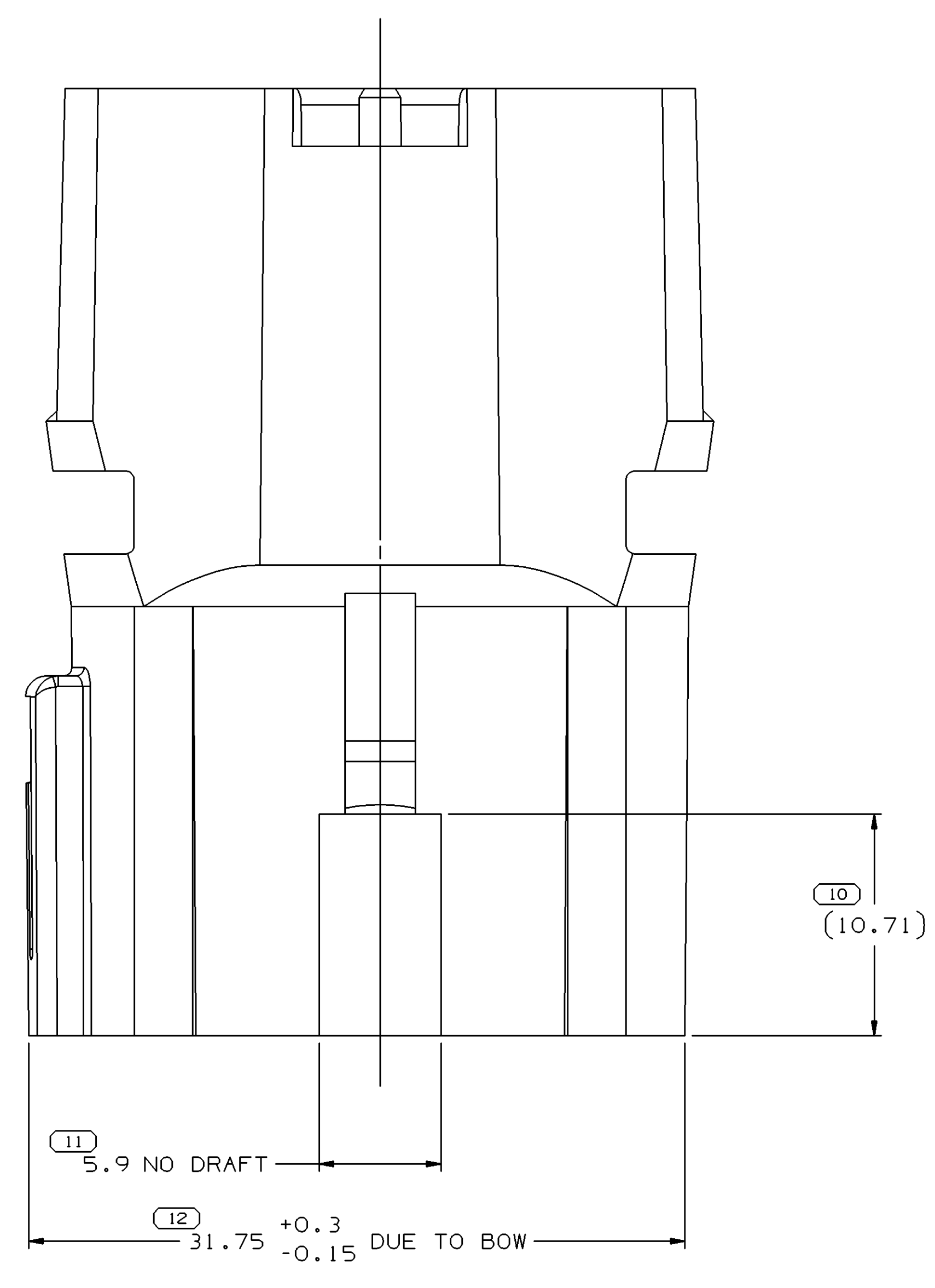


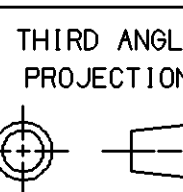
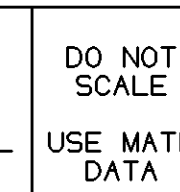

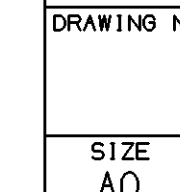
SYMBOL DEFINITION		MISSING NUMBERS	
A DIMENSION WITHOUT AN INSPECTION REPORT SYMBOL  DOES NOT REQUIRE INSPECTION. IT MAY BE CONTROLLED ON AN INDIVIDUAL COMPONENT DRAWING.	TOTAL NO. OF SYMBOLS ON DRAWING	13	
	LAST NO. USED	27	

DWO STATUS					REVISION HISTORY					AUTH	DR	APVD	APVD	
DATE	STG	REV	N/P	CHG	ZONE	Cleared Rev Col and Updated Material Spec					266705	GPS	JAA	CSD
05APOS	R	A5	-	-	-									



VIEW SCALE DOES NOT REFLECT ACTUAL PART SIZE

- NOTES
- UNLESS OTHERWISE SPECIFIED AND/OR INDICATED:  
DIMENSIONS ARE TO FACE OF VIEW SHOWN AND AUTOMATICALLY ROUNDED BY COMPUTER FOR INSPECTION (SEE MATH MODEL FOR PRECISE DIMENSIONS). FOR ALL OTHER DIMENSIONS NOT SHOWN BUT REQUIRED FOR TOOL BUILD, SEE MATH MODEL FOR PRECISE TOOL PATH DATA.
  - REFERENCE MATING COMPONENTS OR EQUIVALENT:  
CONNECTOR 12160280  
LOCK ASSIST/SEAL MOLD-OVER 12146394
  - MATERIAL RECYCLING CODE PER ISO 11469. (1.3)X(0.1) CHARACTERS AS SHOWN TO BE LOCATED ON ANY EXTERIOR SURFACE.
  - (1.3)X(0.1) DELPHI CORPORATE BRAND TO BE LOCATED ON ANY EXTERIOR SURFACE, PREFERABLY VISIBLE AT FINAL ASSEMBLY. OPTIONAL CONSTRUCTION FOR EXISTING TOOLING MAY BE "PED".

<p>(27) PROCESS SENSITIVE DIMENSION</p> <p>DIMENSIONS ENCLOSED IN ( ) INDICATE REFERENCE DIMENSIONS AND NO TOLERANCE LIMITS ARE ESTABLISHED</p>		<p>THIRD ANGLE PROJECTION</p> 	<p>DO NOT SCALE</p> 																										
<table border="1"> <thead> <tr> <th>DIMENSIONAL RANGE (MM)</th> <th>TOLERANCE UNLESS OTHERWISE SPECIFIED</th> <th>CHART ET</th> </tr> </thead> <tbody> <tr> <td>FROM &gt; 0</td> <td>&gt; 0.20</td> <td>&gt; 30</td> </tr> <tr> <td>TO 20</td> <td>0.30</td> <td>70</td> </tr> <tr> <td></td> <td>0.40</td> <td>100</td> </tr> <tr> <td></td> <td>0.50</td> <td>150</td> </tr> <tr> <td></td> <td>0.60</td> <td>200</td> </tr> <tr> <td></td> <td>0.80</td> <td>250</td> </tr> <tr> <td></td> <td>1.00</td> <td>300</td> </tr> <tr> <td></td> <td>1.20</td> <td>400</td> </tr> </tbody> </table>	DIMENSIONAL RANGE (MM)	TOLERANCE UNLESS OTHERWISE SPECIFIED	CHART ET	FROM > 0	> 0.20	> 30	TO 20	0.30	70		0.40	100		0.50	150		0.60	200		0.80	250		1.00	300		1.20	400	<p>USE MATH DATA</p> 	
DIMENSIONAL RANGE (MM)	TOLERANCE UNLESS OTHERWISE SPECIFIED	CHART ET																											
FROM > 0	> 0.20	> 30																											
TO 20	0.30	70																											
	0.40	100																											
	0.50	150																											
	0.60	200																											
	0.80	250																											
	1.00	300																											
	1.20	400																											

**DELPHI**  
DELPHI PACKARD ELECTRIC SYSTEMS  
WARREN, OH

DR	DATE
APVD1 E. FLORES	13AP00
APVD2 P. H. CASTRILLON	28AP00
APVD3 G. ORANTES	16JN00
APVD4	
APVD5	

UNLESS OTHERWISE SPECIFIED THIS DOCUMENT IS IN ACCORDANCE WITH ASME Y14.5M-1994 AS AMENDED BY THE 2003 SUPPLEMENT TO DIMENSIONING AND TOLERANCING (ADDENDUM 2003). SEPARATE PATTERNING OF FEATURES MAY BE OBTAINED SEPARATELY REGARDLESS OF DATUM REFERENCES.

MATERIAL: M3592025 PA66 HS 1M GRA MD

ALL DIMENSIONS ARE IN MILLIMETERS

DRAWING NAME: CONN 20 M MIC/P 100W GRA MD SLD

DRAWING NUMBER: 12160542

SIZE	SCALE	FRAME NO	SHEET NO	TSB	REV	N/P
A0	5:1	1	1	1	1	1

# Mouser Electronics

Authorized Distributor

Click to View Pricing, Inventory, Delivery & Lifecycle Information:

[Aptiv:](#)

[12160542](#)