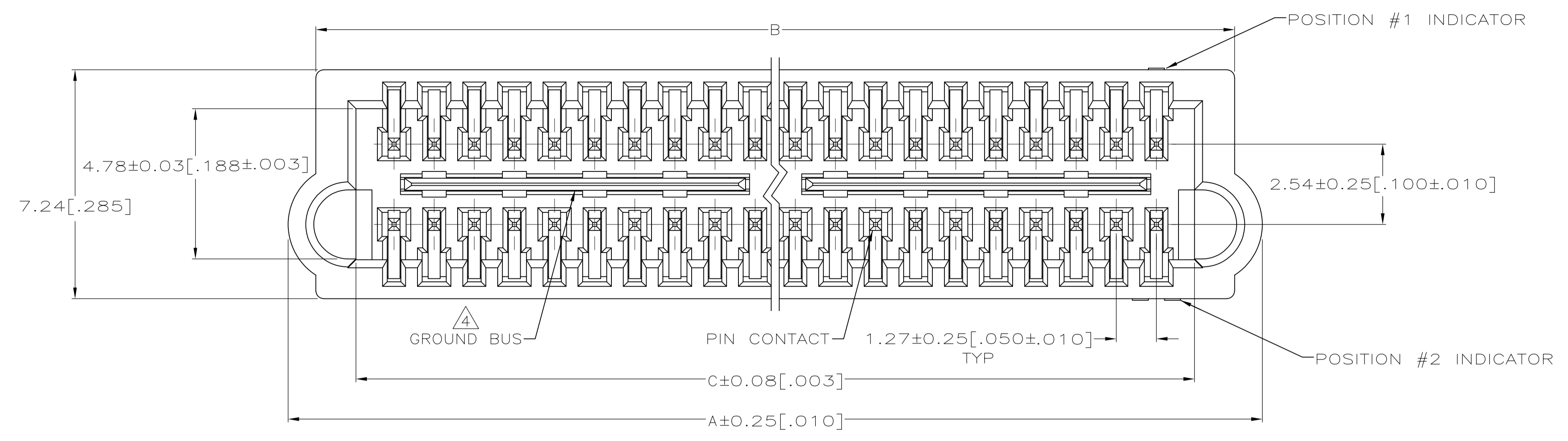
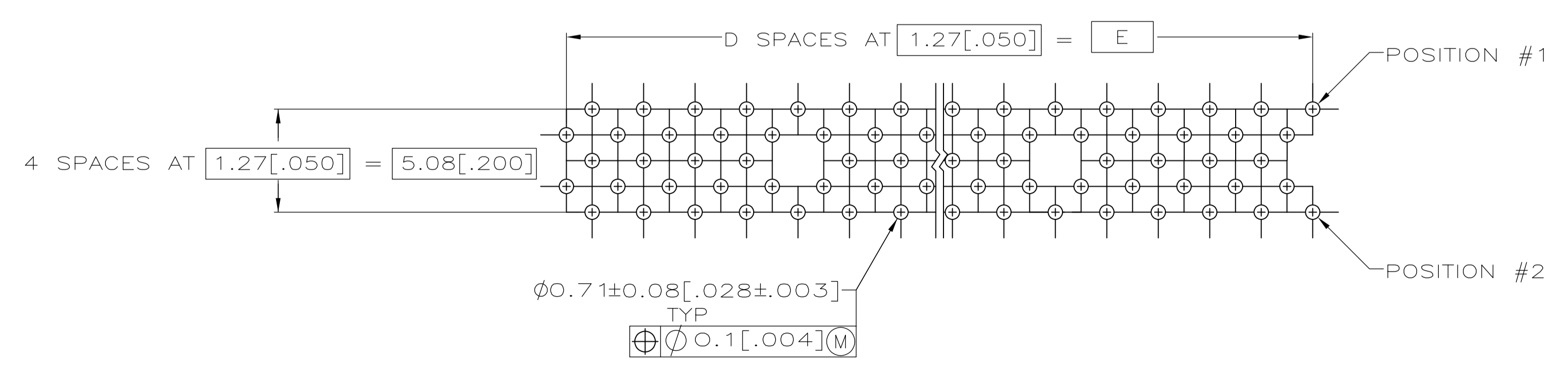
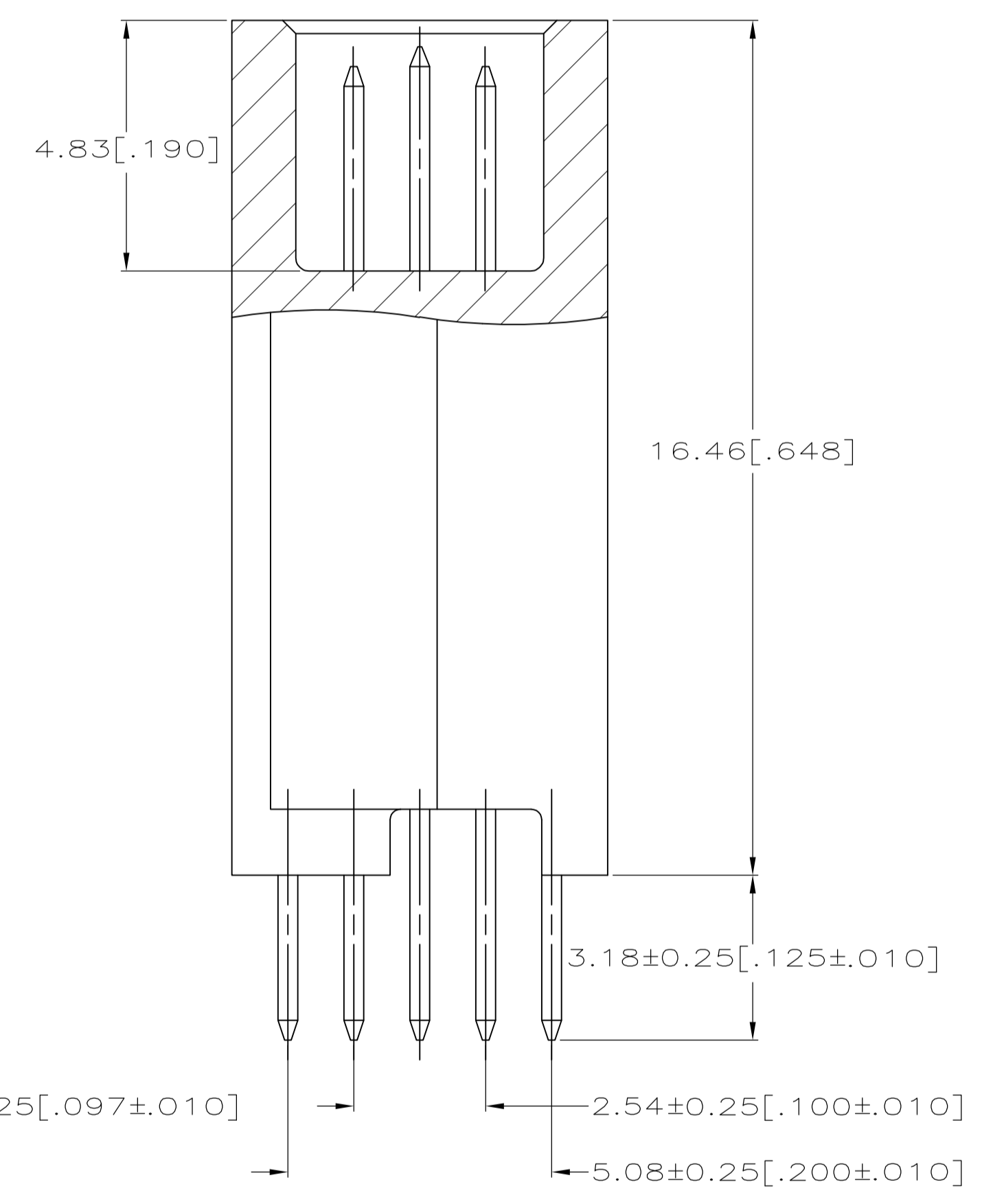
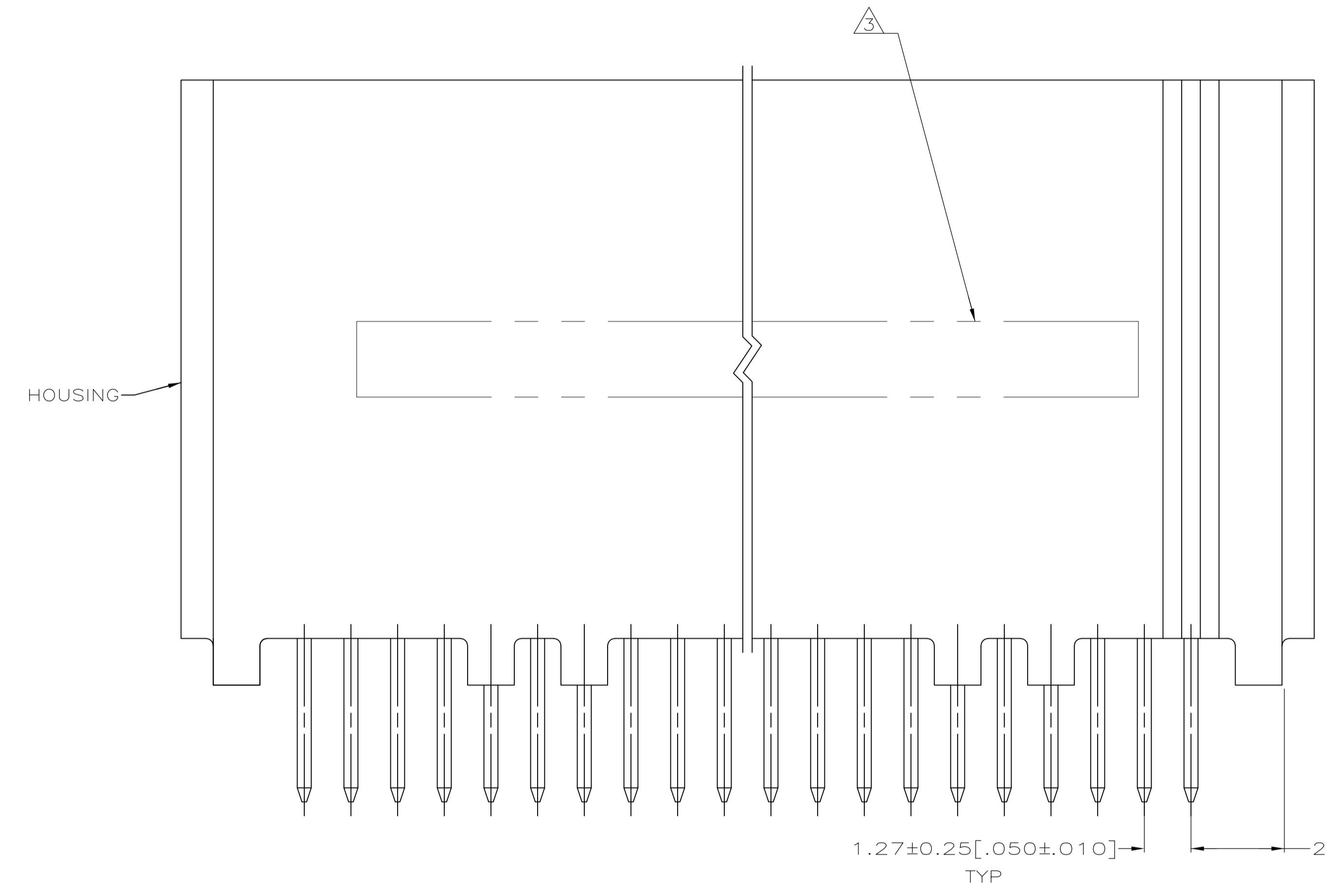


REVISIONS				
P	LTR	DESCRIPTION	DATE	APPD
A		REVISED PER ECO-16-010704	20JUL2016	SY SY



- △ HOUSING: HIGH TEMPERATURE THERMOPLASTIC, COLOR NATURAL OR LIGHT NATURAL. PIN CONTACTS: PHOSPHOR BRONZE. GROUND BUSES: PHOSPHOR BRONZE.
- △ CONTACTS & GROUND BUSES: 0.00076(.000030) MIN. GOLD PER ASTM B 488 ON CONTACT AREA, 0.00254-0.00762(.000100-.000300) MATTE TIN PER ASTM B 545 ON SOLDER TAIL, ALL OVER 0.00127-0.00254(.000050-.000100) MATTE NICKEL PER SAE AMS-QQ-N-290 ON ENTIRE CONTACT.
- △ AMP AND DATE CODE MARKED IN AREA INDICATED, ON SAME SIDE AS POSITION NUMBER 2 INDICATOR.
- △ ONE GROUND BUS WITH 4 TAILS PER EACH 20 PIN CONTACTS.



125.73	[4.950]	99	128.22	[5.048]	130.81	[5.150]	132.44	[5.214]	200	5149011-9	
113.03	[4.450]	89	115.52	[4.548]	118.11	[4.650]	119.74	[4.714]	180	5149011-8	
100.33	[3.950]	79	102.82	[4.048]	105.41	[4.150]	107.04	[4.214]	160	5149011-7	
87.63	[3.450]	69	90.12	[3.548]	92.71	[3.650]	94.34	[3.714]	140	5149011-6	
74.93	[2.950]	59	77.42	[3.048]	80.01	[3.150]	81.64	[3.214]	120	5149011-5	
62.23	[2.450]	49	64.72	[2.548]	67.31	[2.650]	68.94	[2.714]	100	5149011-4	
49.53	[1.950]	39	52.02	[2.048]	54.61	[2.150]	56.24	[2.214]	80	5149011-3	
36.83	[1.450]	29	39.32	[1.548]	41.91	[1.650]	43.54	[1.714]	60	5149011-2	
OBSOLETE	24.13	[.950]	19	26.62	[1.048]	29.21	[1.150]	30.84	[1.214]	40	5149011-1
	E		D	C	B	A			NO OF POS	PART NUMBER	

THIS DRAWING IS A CONTROLLED DOCUMENT.

DIN L VARELA - DOCKS 01-19-05
 CHK D DIXON 01-19-05

STE TE Connectivity

NAME: PLUG ASSEMBLY, 18.75[.738] STACK, 3.18[.125] TAIL, BOARD TO BOARD, MICROSTRIP

PRODUCT SPEC: 108-1272

APPLICATION SPEC: 114-11005

WEIGHT: 0.000000

CUSTOMER DRAWING

SCALE: 10:1 SHEET 1 OF 1 REV A

Mouser Electronics

Authorized Distributor

Click to View Pricing, Inventory, Delivery & Lifecycle Information:

[TE Connectivity:](#)

[5149011-5](#)