

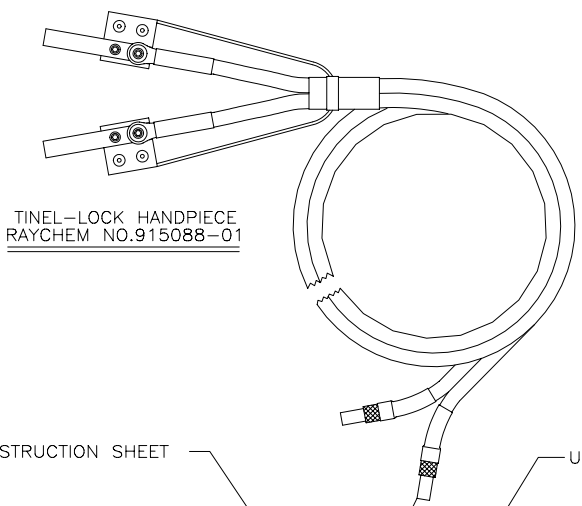
4

3

2

1

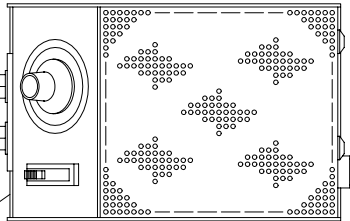
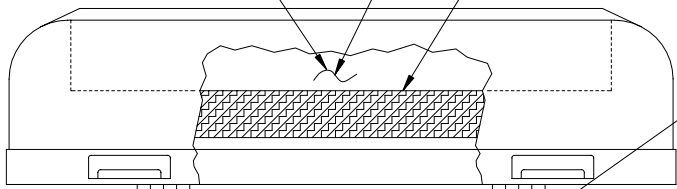
REVISIONS			
LTR	DESCRIPTION	DATE	APPROVED
NC	RELEASED TO MFG. PER ECN NO. T-16631	8/22/91	GMR
A	REVISED FOOTSWITCH CALLOUT PER DCR NO. T966028	10/9/96	GMR



TINEL-LOCK HANDPIECE
RAYCHEM NO.915088-01

INSTRUCTION SHEET

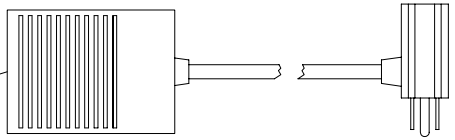
UPPER FOAM INSERT



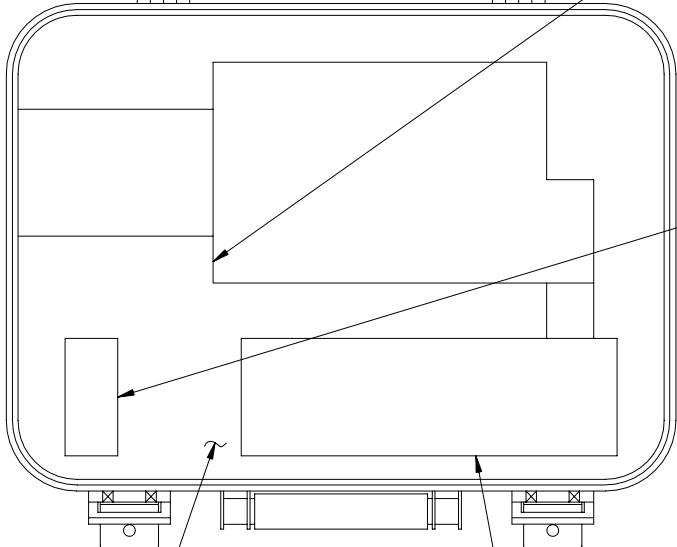
TRANSFORMER, AMERICAN
BEAUTY NO.105-A12 (120V)

NOTES:

1. CASE DIMENSIONS:
14.00 LONG X 10.00 WIDE X 7.00 DEEP
(TOP HALF IS 3.00 DEEP, BOTTOM HALF IS 4.00 DEEP)
2. ALL DIMENSIONS INDICATED AND NOMENCLATURE SHOWN ON THIS DRAWING ARE FOR REFERENCE PURPOSES ONLY.
3. THIS KIT CAN BE ORDERED FROM RAYCHEM CORPORATION UNDER PART NO.173643 FOR THE 120V UNIT (DWG NO. RH-3960-1).



FOOTSWITCH, AMERICAN
BEAUTY NO. 10519 OR EQUIVALENT



LOWER FOAM INSERT

STORAGE SPACE FOR POWER CORDS

**If this document is printed it becomes uncontrolled.
Check with the web for latest revision.**

SPECIFICATION CONTROL DRAWING © Raychem Corporation 1991

DRAWN	G.ROSITANO	91JUL31	<i>Raychem</i>		RAYCHEM CORPORATION 300 CONSTITUTION DRIVE MENLO PARK, CALIFORNIA 94025	
CHECKED	A.L.HADLEY	91AUG14				
APPROVED	A.L.HADLEY	91AUG14	TITLE TINEL-LOCK RING TERMINATION KIT 120 VAC			
APPROVED						
CAD NAME	3960-1S		SIZE	CODE IDENT. NO.	DWG. NO.	REV
THIRD ANGLE PROJECTION			C	06090	RH-3960-1	A
			DO NOT SCALE THIS DRAWING		SCALE: HALF	SHEET 1 OF 1

4

3

2

1

SHEET
DWG NO. RH-3960-1

Mouser Electronics

Authorized Distributor

Click to View Pricing, Inventory, Delivery & Lifecycle Information:

[TE Connectivity:](#)

[RH-3960-1-TINEL-KIT-120V](#)