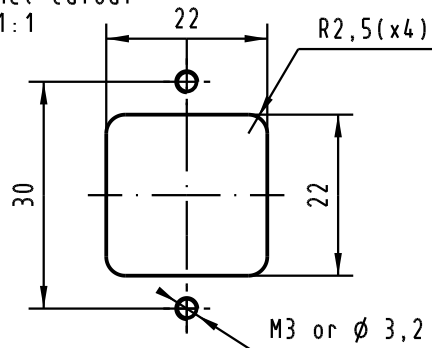
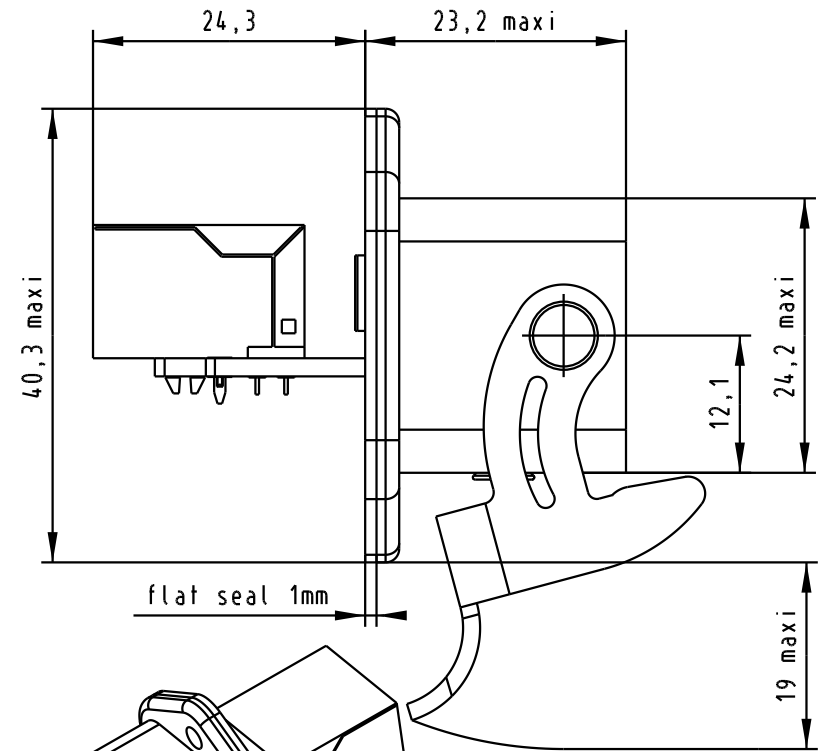
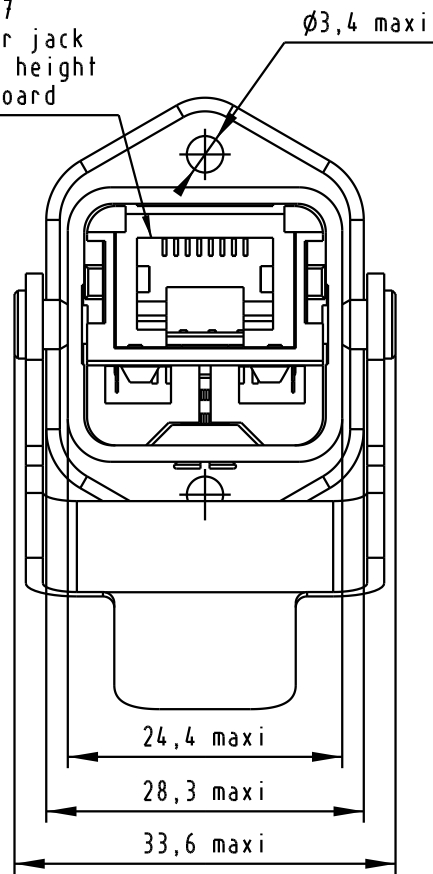


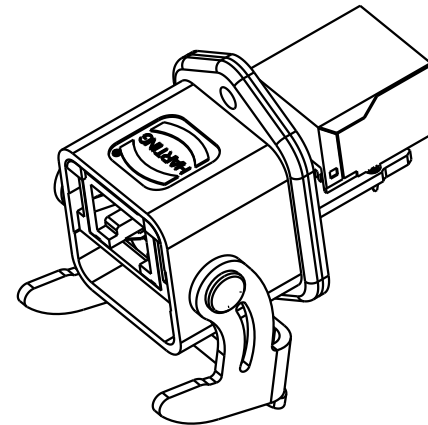
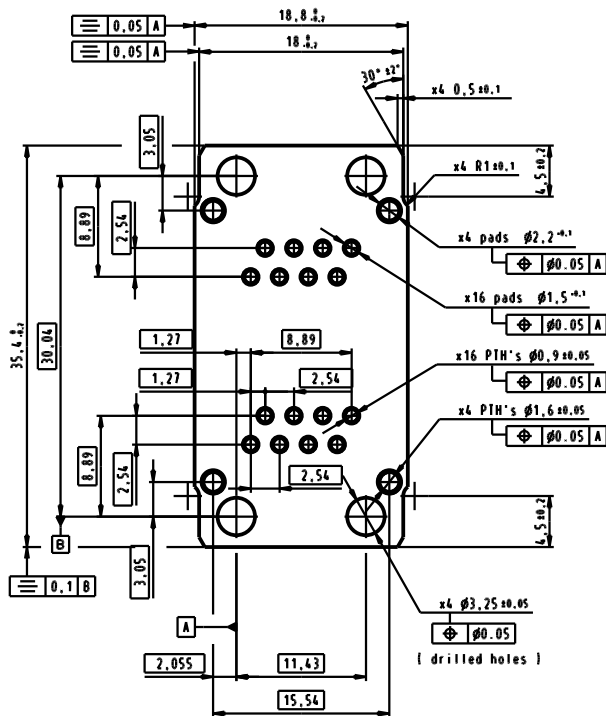
recommended panel cutout
scale 1:1





IEC 60603-7
SMC modular jack
12mm maxi. height
above PC-Board



recommended PC-Board layout (SMC)
view components side



compatible with
IEC 60076-3-106 variant 5
connectors pitches on panel
axis X = 36 mm
axis Y = 55 mm

Mod.	Dat.	Name	Doc.	Name	 All Dim. in mm Orig. Size DIN A 4	RJ Industrial Han 3A panel feed through with metal housing IP67 - 8 data	Moßstab/ Scale
			Detail.	11-MAR-03			PP
33087	02-SEP-05	JB	Insp.				
32815	22-APR-05	JB	Stand.				
31909	27-MAY-04	AC					
31394	11-MAR-03	PP					
			HARTING EURL F-95972 Paris			TB 09 45 215 11 00	Blatt / Page 1 / 1
						Sub.	

Mouser Electronics

Authorized Distributor

Click to View Pricing, Inventory, Delivery & Lifecycle Information:

[HARTING:](#)

[09452151100](#)