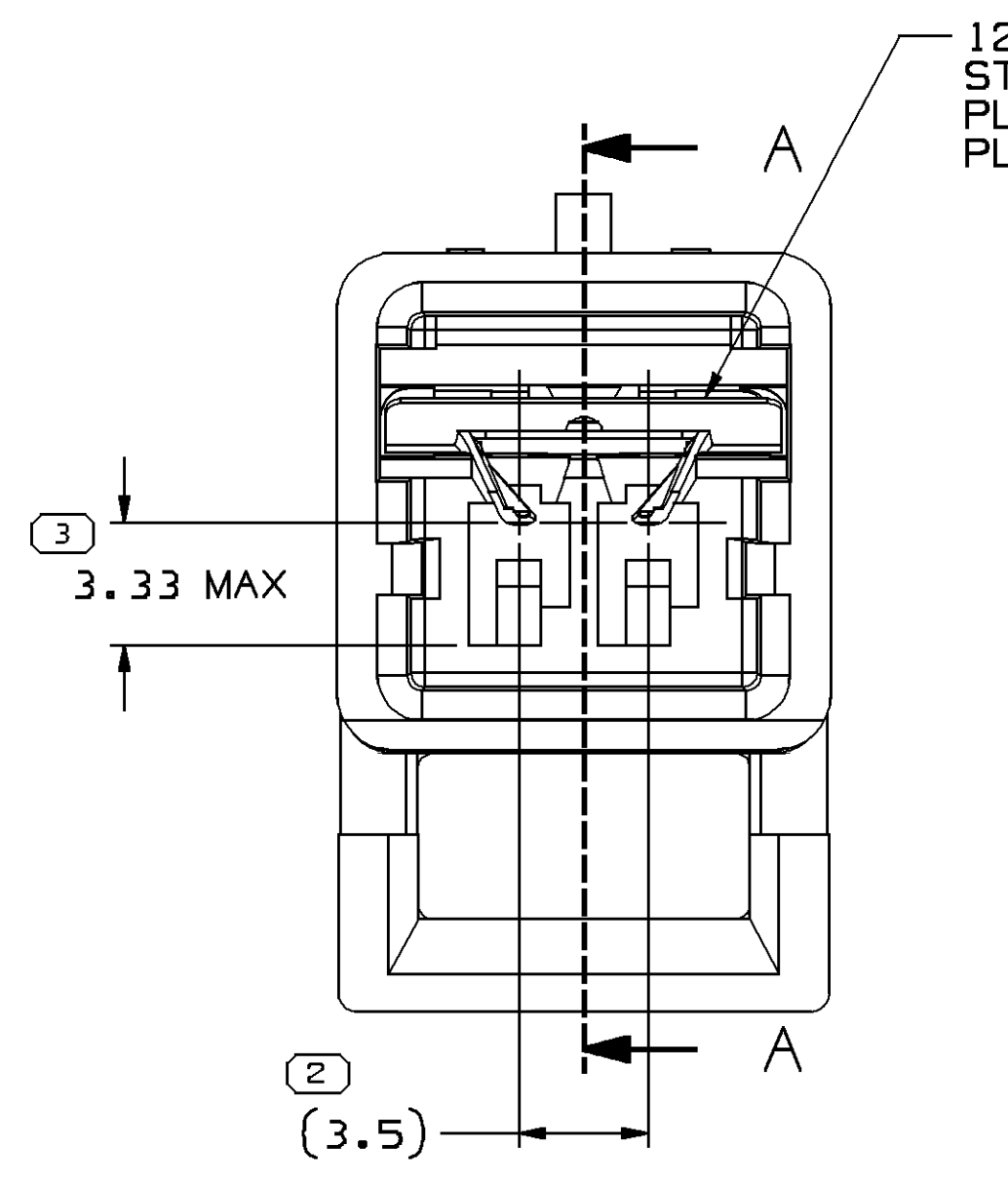
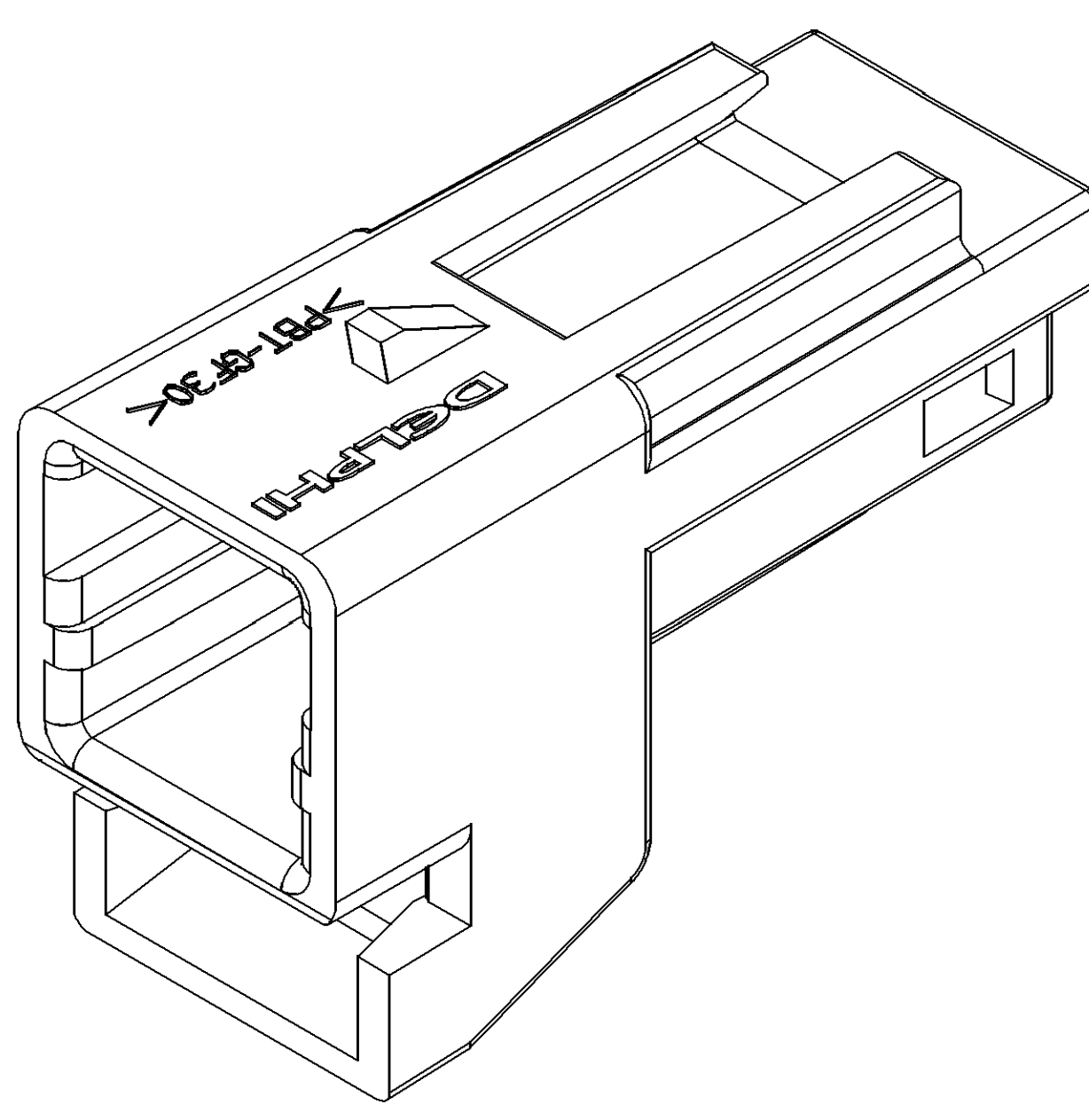
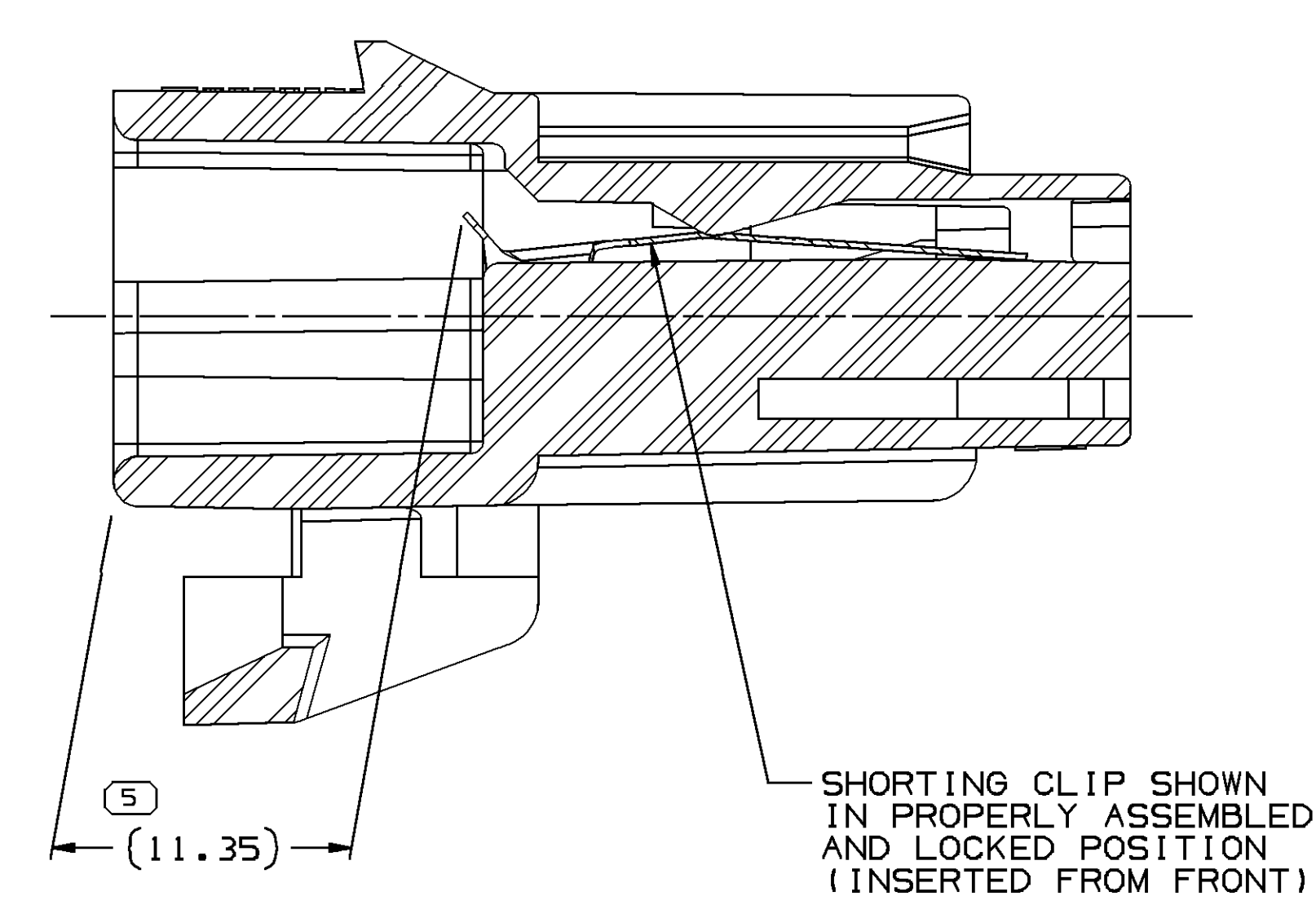
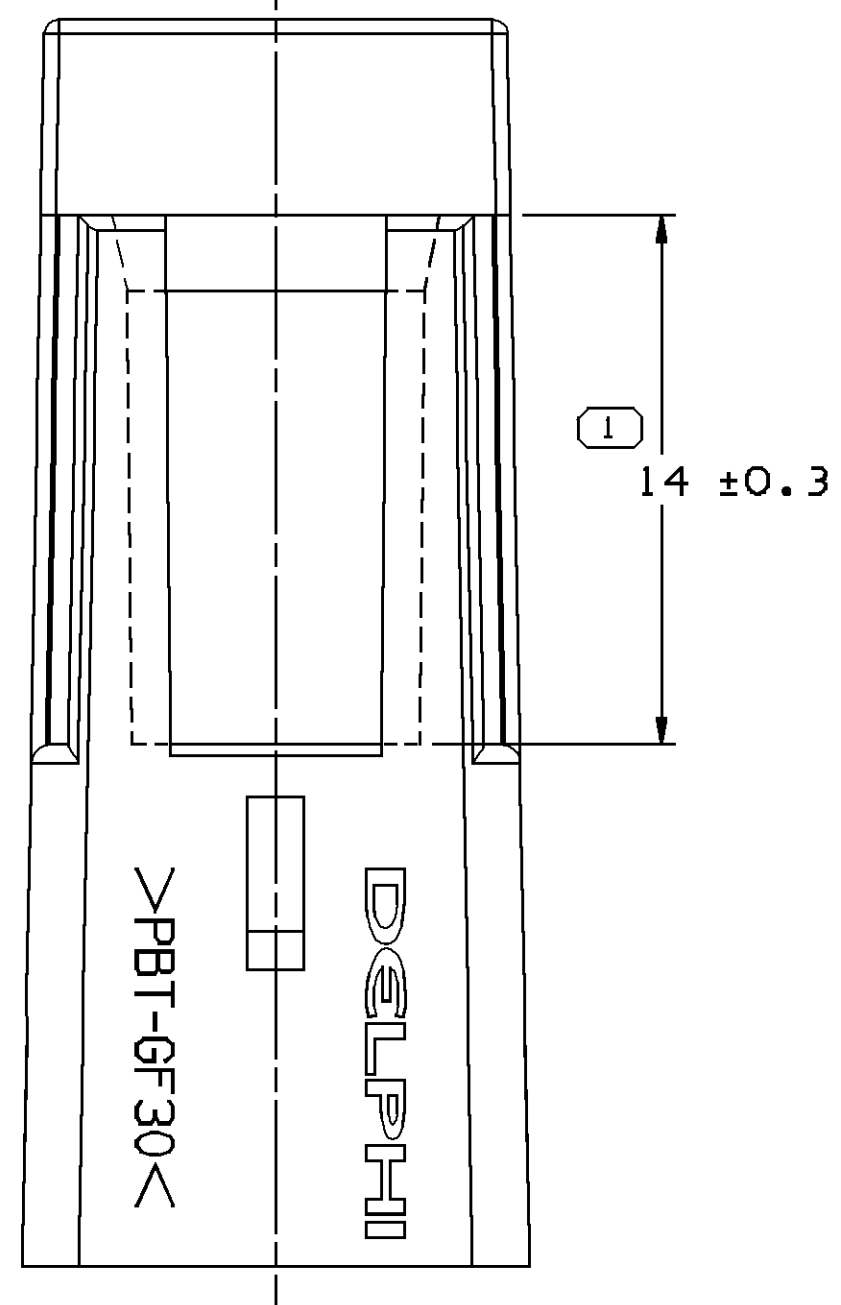
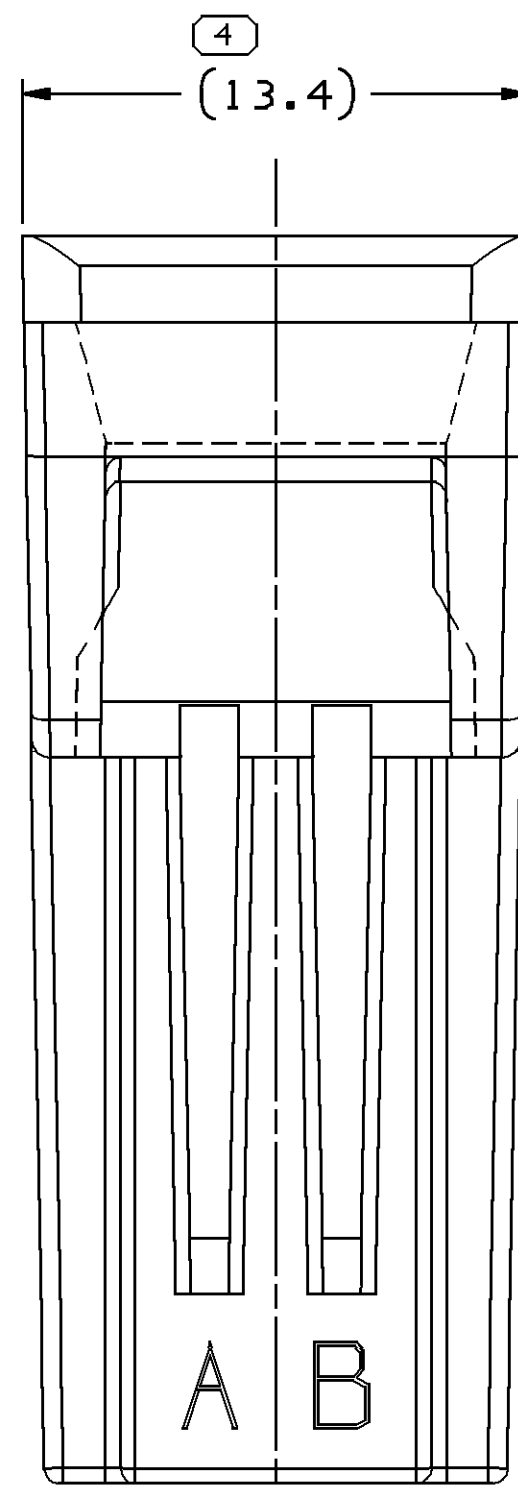
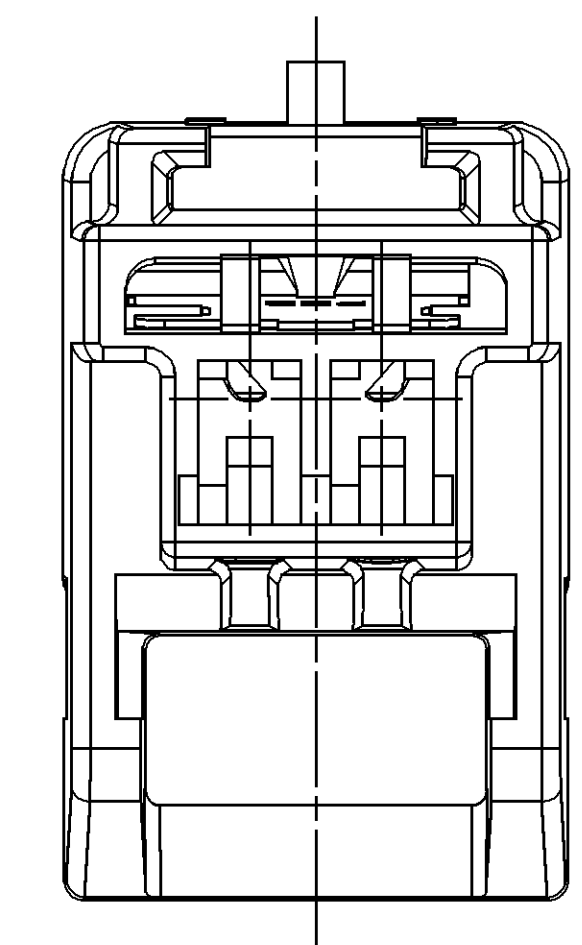
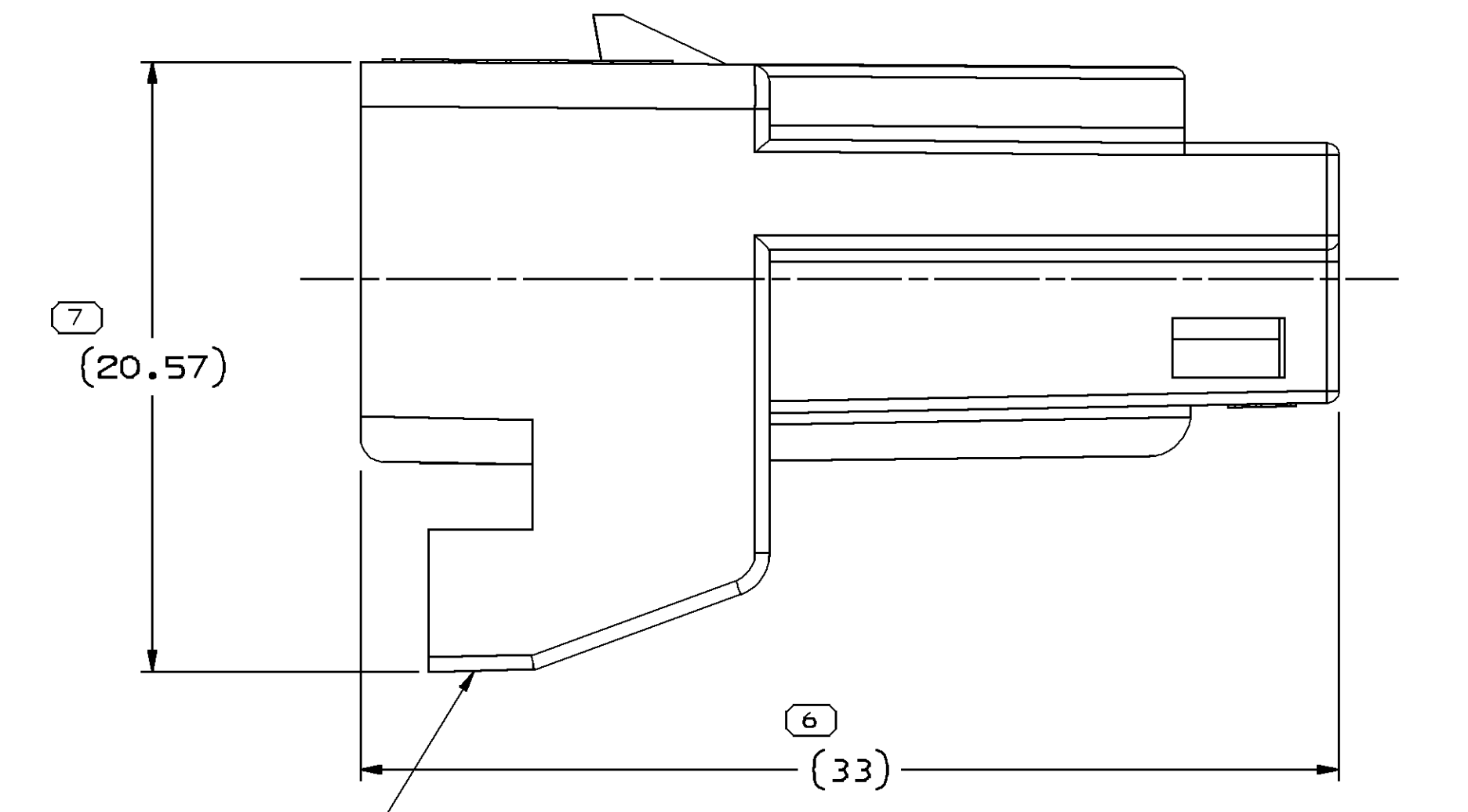


SYMBOL DEFINITION	
A DIMENSION WITHOUT AN INSPECTION REPORT SYMBOL DOES NOT REQUIRE INSPECTION. IT MAY BE CONTROLLED ON THE INDIVIDUAL COMPONENT DRAWING.	TOTAL NO OF INSPECTIONS REQUIRED 7
	LAST NO. USED 7

MISSING SYMBOLS				DWG STATUS		REVISION HISTORY		AUTH		DR		APVD	
DATE	STG	REV	N/P	CHG	ZONE	REVISION HISTORY		AUTH		DR		APVD	
29JN94	R	A	-	-		RELEASED		940005		HH		HH KRR	
22MR07	R	A1	-	-		UPDATED PDM ATTRIBUTES & REDRAWN TO PD		400916		ECB		AUG 001	



12110501 SHORTING CLIP
STAINLESS STEEL - NICKEL
PLATING WITH GOLD
PLATED CONTACT AREAS



- NOTES
- UNLESS OTHERWISE SPECIFIED AND/OR INDICATED:
DIMENSIONS ARE TO FACE OF VIEW SHOWN AND AUTOMATICALLY ROUNDED BY COMPUTER FOR INSPECTION (SEE MATH MODEL FOR PRECISE DIMENSIONS). FOR ALL OTHER DIMENSIONS NOT SHOWN BUT REQUIRED FOR TOOL BUILD, SEE MATH MODEL FOR PRECISE TOOL PATH DATA.
 - SEALING CODE 0 - (SEE ES-CD-50.5.1. FOR CODE EXPLANATION).
 - REFERENCE MATING COMPONENTS OR EQUIVALENT:
CONNECTOR 12110505
TERMINAL 12110502
MAX INSULATION CRIMP MUST BE LESS THAN 3 HIGH AND 2.6 WIDE
SECONDARY TERMINAL LOCK 12047665
CONNECTOR POSITION ASSURANCE LOCK 12110503
 - TO PREVENT DAMAGE TO THE TERMINALS DURING INSERTION A FIXTURE OR HOLDER SHOULD BE USED TO LIFT THE SHORTING CLIP CONTACTS TO THE TOP OF THE TERMINAL CAVITY.
 - NO CHANGE TO BE MADE TO THIS PART WITHOUT IFG AUTHORIZATION.

(N/A) PROCESS SENSITIVE DIMENSION		CHART E1	
FROM	> 0	> 20	> 30
TO	20	30	70
	100	150	200
	250	300	400
TOLERANCE UNLESS OTHERWISE SPECIFIED			
	±0.15	±0.2	±0.3
	±0.4	±0.5	±0.6
	±0.8	±1	±1.2
ANGULAR TOLERANCE ±2°			

DWG TYPE PART DRAWING	
STYLE	
VOLUME (C/P)	DISTR CODE D
UNLESS OTHERWISE SPECIFIED THIS DOCUMENT IS IN ACCORDANCE WITH ASME Y14.5M-1994 AS AMENDED BY THE 0M GLOBAL DIMENSIONING AND TOLERANCING ADDENDUM-2001. SEPARATE PATTERNS OF FEATURES MAY BE GAGED SEPARATELY REGARDLESS OF DATUM REFERENCES.	
ALL DIMENSIONS ARE IN MILLIMETERS	
REFERENCE	
THIRD ANGLE PROJECTION	DO NOT SCALE USE MATH DATA
UNIGRAPHICS	

DELPHI
DELPHI PACKARD ELECTRICAL/ELECTRONIC ARCHITECTURE
WARREN, OH

DR	DATE
APVD1 HENRY HOKE	29JN94
APVD2 HENRY HOKE	29JN94
APVD3 K.R. RICHARDS	18JL94
APVD4	
APVD5	

SUBSTANCES OF CONCERN AND RECYCLED CONTENT PER DELPHI 10945001

MATERIAL
SEE DRAWING

DRAWING NAME
ASM CONN 2 M M/P 150 YEL

DRAWING NUMBER
12160816

SIZE	SCALE	FRAME NO	SHEET NO	STG	REV	N/P
A1	5:1	1 OF 1	1 OF 1	R	A1	-

Mouser Electronics

Authorized Distributor

Click to View Pricing, Inventory, Delivery & Lifecycle Information:

[Aptiv:](#)

[12160816](#)