



| ASSEMBLY DESCRIPTION           | ASSEMBLY PART NUMBER | COMPONENT  |             |     |     |          |           | BLOCKED TERMINALS  |   |   |   |   |   |   |   | STATUS | COMMENT | OPTIONAL ATTACHMENTS SOLD SEPARATELY |                        |                       |                          |    |    |                 |    |     |     |     |     |
|--------------------------------|----------------------|--|-------------|-----|-----|----------|-----------|--|---|---|---|---|---|---|---|--------|---------|--------------------------------------|------------------------|-----------------------|--------------------------|----|----|-----------------|----|-----|-----|-----|-----|
|                                |                      | THE PRESENCE OF AN ABBREVIATION INDICATES THE PRESENCE OF THAT COMPONENT |             |     |     |          |           | CAVITY WITH A NUMBER INDICATES BLOCKED TERMINAL POSITION<br>CAVITY WITHOUT A NUMBER INDICATES OPEN TERMINAL POSITION |   |   |   |   |   |   |   |        |         | BACKSHELL WITH RIBS                  | BACKSHELL WITHOUT RIBS | 90° ADAPTOR WITH RIBS | 90° ADAPTOR WITHOUT RIBS |    |    |                 |    |     |     |     |     |
|                                |                      | HOUSING KEY/COLOR  | GROMMET CAP | PLR | CPA | MAT SEAL | RING SEAL | 1  | 2 | 3 | 4 | 5 | 6 | 7 | 8 |        |         |                                      |                        |                       |                          | 9  | 10 | 11              | 12 | 13  | 14  | 15  | 16  |
| MX150 ASSY RCP 2X8 BK A/0      | 334721621            | A-BLACK  | GCP         | PLR |     | M        | R         | 1  | 2 | 3 | 4 | 5 | 6 | 7 | 8 | 9      | 10      | 11                                   | 12                     | 13                    | 14                       | 15 | 16 | SALEABLE        |    | N/A | N/A | N/A | N/A |
| MX150 ASSY RCP 2X8 LG B/0      | 334721622            | B-LIGHT GRAY   | GCP         | PLR |     | M        | R         | 1  | 2 | 3 | 4 | 5 | 6 | 7 | 8 | 9      | 10      | 11                                   | 12                     | 13                    | 14                       | 15 | 16 | SALEABLE        |    | N/A | N/A | N/A | N/A |
| MX150 ASSY RCP 2X8 BR C/0      | 334721623            | C-BROWN  | GCP         | PLR |     | M        | R         | 1  | 2 | 3 | 4 | 5 | 6 | 7 | 8 | 9      | 10      | 11                                   | 12                     | 13                    | 14                       | 15 | 16 | NOT RECOMMENDED |    | N/A | N/A | N/A | N/A |
| MX150 ASSY RCP 2X8 GR D/0      | 334721624            | D-GREEN  | GCP         | PLR |     | M        | R         | 1  | 2 | 3 | 4 | 5 | 6 | 7 | 8 | 9      | 10      | 11                                   | 12                     | 13                    | 14                       | 15 | 16 | NOT RECOMMENDED |    | N/A | N/A | N/A | N/A |
| MX150 ASSY RCP 2X8 CPA BK A/0  | 334721626            | A-BLACK  | GCP         | PLR | CPA | M        | R         | 1  | 2 | 3 | 4 | 5 | 6 | 7 | 8 | 9      | 10      | 11                                   | 12                     | 13                    | 14                       | 15 | 16 | SALEABLE        |    | N/A | N/A | N/A | N/A |
| MX150 ASSY RCP 2X8 CPA LG B/0  | 334721627            | B-LIGHT GRAY   | GCP         | PLR | CPA | M        | R         | 1  | 2 | 3 | 4 | 5 | 6 | 7 | 8 | 9      | 10      | 11                                   | 12                     | 13                    | 14                       | 15 | 16 | SALEABLE        |    | N/A | N/A | N/A | N/A |
| MX150 ASSY RCP 2X8 CPA BR C/0  | 334721628            | C-BROWN  | GCP         | PLR | CPA | M        | R         | 1  | 2 | 3 | 4 | 5 | 6 | 7 | 8 | 9      | 10      | 11                                   | 12                     | 13                    | 14                       | 15 | 16 | NOT RECOMMENDED |    | N/A | N/A | N/A | N/A |
| MX150 ASSY RCP 2X8 CPA GR D/0  | 334721629            | D-GREEN  | GCP         | PLR | CPA | M        | R         | 1  | 2 | 3 | 4 | 5 | 6 | 7 | 8 | 9      | 10      | 11                                   | 12                     | 13                    | 14                       | 15 | 16 | NOT RECOMMENDED |    | N/A | N/A | N/A | N/A |
| MX150 ASSY RCP 2X8 BK A/14     | 334721631            | A-BLACK  | GCP         | PLR |     | M        | R         | -  | - | - | - | - | - | - | 8 | 9      | -       | -                                    | -                      | -                     | -                        | -  | -  | SALEABLE        |    | N/A | N/A | N/A | N/A |
| MX150 ASSY RCP 2X8 LG B/14     | 334721632            | B-LIGHT GRAY   | GCP         | PLR |     | M        | R         | -  | - | - | - | - | - | - | 8 | 9      | -       | -                                    | -                      | -                     | -                        | -  | -  | SALEABLE        |    | N/A | N/A | N/A | N/A |
| MX150 ASSY RCP 2X8 BR C/14     | 334721633            | C-BROWN  | GCP         | PLR |     | M        | R         | -  | - | - | - | - | - | - | 8 | 9      | -       | -                                    | -                      | -                     | -                        | -  | -  | NOT RECOMMENDED |    | N/A | N/A | N/A | N/A |
| MX150 ASSY RCP 2X8 GR D/14     | 334721634            | D-GREEN  | GCP         | PLR |     | M        | R         | -  | - | - | - | - | - | - | 8 | 9      | -       | -                                    | -                      | -                     | -                        | -  | -  | NOT RECOMMENDED |    | N/A | N/A | N/A | N/A |
| MX150 ASSY RCP 2X8 CPA BK A/14 | 334721636            | A-BLACK  | GCP         | PLR | CPA | M        | R         | -  | - | - | - | - | - | - | 8 | 9      | -       | -                                    | -                      | -                     | -                        | -  | -  | SALEABLE        |    | N/A | N/A | N/A | N/A |
| MX150 ASSY RCP 2X8 CPA LG B/14 | 334721637            | B-LIGHT GRAY   | GCP         | PLR | CPA | M        | R         | -  | - | - | - | - | - | - | 8 | 9      | -       | -                                    | -                      | -                     | -                        | -  | -  | SALEABLE        |    | N/A | N/A | N/A | N/A |
| MX150 ASSY RCP 2X8 CPA BR C/14 | 334721638            | C-BROWN  | GCP         | PLR | CPA | M        | R         | -  | - | - | - | - | - | - | 8 | 9      | -       | -                                    | -                      | -                     | -                        | -  | -  | NOT RECOMMENDED |    | N/A | N/A | N/A | N/A |
| MX150 ASSY RCP 2X8 CPA GR D/14 | 334721639            | D-GREEN  | GCP         | PLR | CPA | M        | R         | -  | - | - | - | - | - | - | 8 | 9      | -       | -                                    | -                      | -                     | -                        | -  | -  | NOT RECOMMENDED |    | N/A | N/A | N/A | N/A |
| MX150 ASSY RCP 2X8 BK A/13     | 334721641            | A-BLACK  | GCP         | PLR |     | M        | R         | 1  | - | - | - | - | - | - | 8 | 9      | -       | -                                    | -                      | -                     | -                        | -  | -  | SALEABLE        |    | N/A | N/A | N/A | N/A |
| MX150 ASSY RCP 2X8 LG B/13     | 334721642            | B-LIGHT GRAY   | GCP         | PLR |     | M        | R         | 1  | - | - | - | - | - | - | 8 | 9      | -       | -                                    | -                      | -                     | -                        | -  | -  | SALEABLE        |    | N/A | N/A | N/A | N/A |
| MX150 ASSY RCP 2X8 BR C/13     | 334721643            | C-BROWN  | GCP         | PLR |     | M        | R         | 1  | - | - | - | - | - | - | 8 | 9      | -       | -                                    | -                      | -                     | -                        | -  | -  | NOT RECOMMENDED |    | N/A | N/A | N/A | N/A |
| MX150 ASSY RCP 2X8 GR D/13     | 334721644            | D-GREEN  | GCP         | PLR |     | M        | R         | 1  | - | - | - | - | - | - | 8 | 9      | -       | -                                    | -                      | -                     | -                        | -  | -  | NOT RECOMMENDED |    | N/A | N/A | N/A | N/A |
| MX150 ASSY RCP 2X8 CPA BK A/13 | 334721646            | A-BLACK  | GCP         | PLR | CPA | M        | R         | 1  | - | - | - | - | - | - | 8 | 9      | -       | -                                    | -                      | -                     | -                        | -  | -  | SALEABLE        |    | N/A | N/A | N/A | N/A |
| MX150 ASSY RCP 2X8 CPA LG B/13 | 334721647            | B-LIGHT GRAY   | GCP         | PLR | CPA | M        | R         | 1  | - | - | - | - | - | - | 8 | 9      | -       | -                                    | -                      | -                     | -                        | -  | -  | SALEABLE        |    | N/A | N/A | N/A | N/A |
| MX150 ASSY RCP 2X8 CPA BR C/13 | 334721648            | C-BROWN  | GCP         | PLR | CPA | M        | R         | 1  | - | - | - | - | - | - | 8 | 9      | -       | -                                    | -                      | -                     | -                        | -  | -  | NOT RECOMMENDED |    | N/A | N/A | N/A | N/A |
| MX150 ASSY RCP 2X8 CPA GR D/13 | 334721649            | D-GREEN  | GCP         | PLR | CPA | M        | R         | 1  | - | - | - | - | - | - | 8 | 9      | -       | -                                    | -                      | -                     | -                        | -  | -  | NOT RECOMMENDED |    | N/A | N/A | N/A | N/A |
| MX150 ASSY RCP 2X8 CPA BK A/15 | 334721652            | A-BLACK  | GCP         | PLR | CPA | M        | R         | -  | - | - | - | - | - | - | - | -      | -       | -                                    | -                      | -                     | -                        | 15 | -  | SALEABLE        |    | N/A | N/A | N/A | N/A |
| MX150 ASSY RCP 2X8 BK A/12     | 334721653            | A-BLACK  | GCP         | PLR |     | M        | R         | 1  | - | - | - | - | - | - | 8 | 9      | -       | -                                    | -                      | -                     | -                        | -  | -  | SALEABLE        |    | N/A | N/A | N/A | N/A |
| MX150 ASSY RCP 2X8 LG B/12     | 334721654            | B-LIGHT GRAY   | GCP         | PLR |     | M        | R         | 1  | - | - | - | - | - | - | 8 | 9      | -       | -                                    | -                      | -                     | -                        | -  | -  | SALEABLE        |    | N/A | N/A | N/A | N/A |



| ASSEMBLY DESCRIPTION           | ASSEMBLY PART NUMBER | COMPONENT  |             |     |     |          |           | BLOCKED TERMINALS  |   |   |   |   |   |   |    | STATUS   | COMMENT | OPTIONAL ATTACHMENTS SOLD SEPARATELY |                        |                       |                          |
|--------------------------------|----------------------|--|-------------|-----|-----|----------|-----------|--|---|---|---|---|---|---|----|----------|---------|--------------------------------------|------------------------|-----------------------|--------------------------|
|                                |                      | THE PRESENCE OF AN ABBREVIATION INDICATES THE PRESENCE OF THAT COMPONENT |             |     |     |          |           | CAVITY WITH A NUMBER INDICATES BLOCKED TERMINAL POSITION<br>CAVITY WITHOUT A NUMBER INDICATES OPEN TERMINAL POSITION |   |   |   |   |   |   |    |          |         | BACKSHELL WITH RIBS                  | BACKSHELL WITHOUT RIBS | 90° ADAPTOR WITH RIBS | 90° ADAPTOR WITHOUT RIBS |
|                                |                      | HOUSING KEY/COLOR  | GROMMET CAP | PLR | CPA | MAT SEAL | RING SEAL | 1  | 2 | 3 | 4 | 5 | 6 | 7 | 8  |          |         |                                      |                        |                       |                          |
| MX150 ASSY RCP 2X8 BK A/14     | 334721684            | A-BLACK  | GCP         | PLR |     | M        | R         | -  | - | - | 4 | - | - | - | -  | SALEABLE |         | N/A                                  | N/A                    | N/A                   | N/A                      |
| MX150 ASSY RCP 2X8 LG B/15     | 334721685            | B-LIGHT GRAY   | GCP         | PLR |     | M        | R         | -  | - | - | - | - | - | - | -  | SALEABLE |         | N/A                                  | N/A                    | N/A                   | N/A                      |
| MX150 ASSY RCP 2X8 LG B/13     | 334721686            | B-LIGHT GRAY   | GCP         | PLR |     | M        | R         | -  | - | - | 4 | - | - | - | -  | SALEABLE |         | N/A                                  | N/A                    | N/A                   | N/A                      |
| MX150 ASSY RCP 2X8 LG B/15     | 334721687            | B-LIGHT GRAY   | GCP         | PLR |     | M        | R         | -  | - | - | - | - | - | - | 16 | SALEABLE |         | N/A                                  | N/A                    | N/A                   | N/A                      |
| MX150 ASSY RCP 2X8 BK A/15     | 334721688            | A-BLACK  | GCP         | PLR |     | M        | R         | -  | - | - | - | - | - | - | -  | SALEABLE |         | N/A                                  | N/A                    | N/A                   | N/A                      |
| MX150 ASSY RCP 2X8 LG B/12     | 334721689            | B-LIGHT GRAY   | GCP         | PLR |     | M        | R         | -  | 2 | - | 4 | - | - | - | -  | SALEABLE |         | N/A                                  | N/A                    | N/A                   | N/A                      |
| MX150 ASSY RCP 2X8 LG B/14     | 334721690            | B-LIGHT GRAY   | GCP         | PLR |     | M        | R         | -  | 2 | - | - | - | - | - | -  | SALEABLE |         | N/A                                  | N/A                    | N/A                   | N/A                      |
| MX150 ASSY RCP 2X8 BK A/13     | 334721691            | A-BLACK  | GCP         | PLR |     | M        | R         | -  | 2 | - | 4 | - | - | - | -  | SALEABLE |         | N/A                                  | N/A                    | N/A                   | N/A                      |
| MX150 ASSY RCP 2X8 BK A/13     | 334721692            | A-BLACK  | GCP         | PLR |     | M        | R         | -  | - | - | 4 | - | - | - | 8  | SALEABLE |         | N/A                                  | N/A                    | N/A                   | N/A                      |
| MX150 ASSY RCP 2X8 LG B/12     | 334721693            | B-LIGHT GRAY   | GCP         | PLR |     | M        | R         | -  | - | - | 4 | - | - | - | 8  | SALEABLE |         | N/A                                  | N/A                    | N/A                   | N/A                      |
| MX150 ASSY RCP 2X8 LG B/14     | 334721694            | B-LIGHT GRAY   | GCP         | PLR |     | M        | R         | -  | - | - | - | - | - | - | 8  | SALEABLE |         | N/A                                  | N/A                    | N/A                   | N/A                      |
| MX150 ASSY RCP 2X8 BK A/14     | 334721695            | A-BLACK  | GCP         | PLR |     | M        | R         | -  | 2 | - | - | - | - | - | 8  | SALEABLE |         | N/A                                  | N/A                    | N/A                   | N/A                      |
| MX150 ASSY RCP 2X8 BK A/12     | 334721701            | A-BLACK  | GCP         | PLR |     | M        | R         | -  | 2 | - | 4 | - | - | - | 8  | SALEABLE |         | N/A                                  | N/A                    | N/A                   | N/A                      |
| MX150 ASSY RCP 2X8 LG B/11     | 334721702            | B-LIGHT GRAY   | GCP         | PLR |     | M        | R         | -  | 2 | - | 4 | - | - | - | 8  | SALEABLE |         | N/A                                  | N/A                    | N/A                   | N/A                      |
| MX150 ASSY RCP 2X8 LG B/13     | 334721703            | B-LIGHT GRAY   | GCP         | PLR |     | M        | R         | -  | 2 | - | - | - | - | - | 8  | SALEABLE |         | N/A                                  | N/A                    | N/A                   | N/A                      |
| MX150 ASSY RCP 2X8 BK A/14     | 334721704            | A-BLACK  | GCP         | PLR |     | M        | R         | -  | 2 | - | 4 | - | - | - | -  | SALEABLE |         | N/A                                  | N/A                    | N/A                   | N/A                      |
| MX150 ASSY RCP 2X8 LG B/13     | 334721705            | B-LIGHT GRAY   | GCP         | PLR |     | M        | R         | -  | 2 | - | 4 | - | - | - | -  | SALEABLE |         | N/A                                  | N/A                    | N/A                   | N/A                      |
| MX150 ASSY RCP 2X8 BK A/9      | 334721706            | A-BLACK  | GCP         | PLR |     | M        | R         | -  | 2 | - | - | - | 6 | - | -  | SALEABLE |         | N/A                                  | N/A                    | N/A                   | N/A                      |
| MX150 ASSY RCP 2X8 BK A/8      | 334721707            | A-BLACK  | GCP         | PLR |     | M        | R         | -  | 2 | - | - | - | 6 | - | -  | SALEABLE |         | N/A                                  | N/A                    | N/A                   | N/A                      |
| MX150 ASSY RCP 2X8 BK A/11     | 334721708            | A-BLACK  | GCP         | PLR |     | M        | R         | -  | 2 | - | - | - | 6 | - | -  | SALEABLE |         | N/A                                  | N/A                    | N/A                   | N/A                      |
| MX150 ASSY RCP 2X8 BK A/14     | 334721709            | A-BLACK  | GCP         | PLR |     | M        | R         | -  | - | - | 4 | - | - | - | 8  | SALEABLE |         | N/A                                  | N/A                    | N/A                   | N/A                      |
| MX150 ASSY RCP 2X8 BK A/13     | 334721710            | A-BLACK  | GCP         | PLR |     | M        | R         | -  | 2 | - | - | - | 6 | - | -  | SALEABLE |         | N/A                                  | N/A                    | N/A                   | N/A                      |
| MX150 ASSY RCP 2X8 BK A/14     | 334721711            | A-BLACK  | GCP         | PLR |     | M        | R         | -  | 2 | - | - | - | 6 | - | -  | SALEABLE |         | N/A                                  | N/A                    | N/A                   | N/A                      |
| MX150 ASSY RCP 2X8 CPA BK A/11 | 334721712            | A-BLACK  | GCP         | PLR | CPA | M        | R         | -  | - | - | - | 5 | 6 | 7 | 8  | SALEABLE |         | N/A                                  | N/A                    | N/A                   | N/A                      |
| MX150 ASSY RCP 2X8 CPA BK A/8  | 334721713            | A-BLACK  | GCP         | PLR | CPA | M        | R         | -  | - | - | - | 5 | 6 | 7 | 8  | SALEABLE |         | N/A                                  | N/A                    | N/A                   | N/A                      |
| MX150 ASSY RCP 2X8 CPA BK A/9  | 334721714            | A-BLACK  | GCP         | PLR | CPA | M        | R         | -  | - | - | - | 5 | 6 | 7 | 8  | SALEABLE |         | N/A                                  | N/A                    | N/A                   | N/A                      |
| MX150 ASSY RCP 2X8 CPA LG B/6  | 334721715            | B-LIGHT GRAY   | GCP         | PLR | CPA | M        | R         | 1  | 2 | 3 | 4 | 5 | 6 | - | 8  | SALEABLE |         | N/A                                  | N/A                    | N/A                   | N/A                      |

| ASSEMBLY DESCRIPTION           | ASSEMBLY PART NUMBER | COMPONENT  |             |     |     |          |           | BLOCKED TERMINALS  |    |    |    |    |    |    |    | STATUS   | COMMENT | OPTIONAL ATTACHMENTS SOLD SEPARATELY |                        |                       |                          |
|--------------------------------|----------------------|--|-------------|-----|-----|----------|-----------|--|----|----|----|----|----|----|----|----------|---------|--------------------------------------|------------------------|-----------------------|--------------------------|
|                                |                      | THE PRESENCE OF AN ABBREVIATION INDICATES THE PRESENCE OF THAT COMPONENT |             |     |     |          |           | CAVITY WITH A NUMBER INDICATES BLOCKED TERMINAL POSITION<br>CAVITY WITHOUT A NUMBER INDICATES OPEN TERMINAL POSITION |    |    |    |    |    |    |    |          |         | BACKSHELL WITH RIBS                  | BACKSHELL WITHOUT RIBS | 90° ADAPTOR WITH RIBS | 90° ADAPTOR WITHOUT RIBS |
|                                |                      | HOUSING KEY/COLOR  | GROMMET CAP | PLR | CPA | MAT SEAL | RING SEAL | 1  | 2  | 3  | 4  | 5  | 6  | 7  | 8  |          |         |                                      |                        |                       |                          |
| MX150 ASSY RCP 2X8 CPA LG B/10 | 334721716            | B-LIGHT GRAY   | GCP         | PLR | CPA | M        | R         | 1  | -  | 3  | 4  | 5  | -  | -  | 8  | SALEABLE |         | N/A                                  | N/A                    | N/A                   | N/A                      |
|                                |                      |  |             |     |     |          |           | -  | 10 | -  | -  | -  | -  | -  | -  |          |         |                                      |                        |                       |                          |
| MX150 ASSY RCP 2X8 CPA LG B/11 | 334721717            | B-LIGHT GRAY   | GCP         | PLR | CPA | M        | R         | 1  | -  | -  | 4  | 5  | -  | -  | 8  | SALEABLE |         | N/A                                  | N/A                    | N/A                   | N/A                      |
|                                |                      |  |             |     |     |          |           | -  | 10 | -  | -  | -  | -  | -  | -  |          |         |                                      |                        |                       |                          |
| MX150 ASSY RCP 2X8 CPA BK A/10 | 334721718            | A-BLACK  | GCP         | PLR | CPA | M        | R         | -  | -  | -  | -  | 5  | 6  | 7  | 8  | SALEABLE |         | N/A                                  | N/A                    | N/A                   | N/A                      |
|                                |                      |  |             |     |     |          |           | -  | -  | 11 | -  | 13 | -  | -  | -  |          |         |                                      |                        |                       |                          |
| MX150 ASSY RCP 2X8 CPA BK A/11 | 334721719            | A-BLACK  | GCP         | PLR | CPA | M        | R         | -  | -  | -  | 4  | 5  | 6  | -  | -  | SALEABLE |         | N/A                                  | N/A                    | N/A                   | N/A                      |
|                                |                      |  |             |     |     |          |           | -  | -  | -  | -  | -  | -  | 15 | 16 |          |         |                                      |                        |                       |                          |
| MX150 ASSY RCP 2X8 CPA BK A/10 | 334721720            | A-BLACK  | GCP         | PLR | CPA | M        | R         | -  | -  | 3  | 4  | 5  | 6  | -  | -  | SALEABLE |         | N/A                                  | N/A                    | N/A                   | N/A                      |
|                                |                      |  |             |     |     |          |           | -  | -  | -  | -  | -  | -  | 15 | 16 |          |         |                                      |                        |                       |                          |
| MX150 ASSY RCP 2X8 CPA BK A/11 | 334721721            | A-BLACK  | GCP         | PLR | CPA | M        | R         | -  | -  | -  | -  | -  | -  | -  | 8  | SALEABLE |         | N/A                                  | N/A                    | N/A                   | N/A                      |
|                                |                      |  |             |     |     |          |           | -  | -  | -  | -  | 13 | 14 | 15 | 16 |          |         |                                      |                        |                       |                          |
| MX150 ASSY RCP 2X8 CPA BK A/6  | 334721722            | A-BLACK  | GCP         | PLR | CPA | M        | R         | 1  | 2  | 3  | 4  | 5  | 6  | -  | 8  | SALEABLE |         | N/A                                  | N/A                    | N/A                   | N/A                      |
|                                |                      |  |             |     |     |          |           | -  | -  | -  | -  | 13 | -  | 15 | 16 |          |         |                                      |                        |                       |                          |
| MX150 ASSY RCP 2X8 CPA BK A/10 | 334721723            | A-BLACK  | GCP         | PLR | CPA | M        | R         | -  | -  | -  | -  | -  | -  | 7  | 8  | SALEABLE |         | N/A                                  | N/A                    | N/A                   | N/A                      |
|                                |                      |  |             |     |     |          |           | -  | -  | 11 | 12 | 13 | 14 | -  | -  |          |         |                                      |                        |                       |                          |
| MX150 ASSY RCP 2X8 CPA BK A/11 | 334721724            | A-BLACK  | GCP         | PLR | CPA | M        | R         | -  | -  | -  | -  | -  | -  | 7  | 8  | SALEABLE |         | N/A                                  | N/A                    | N/A                   | N/A                      |
|                                |                      |  |             |     |     |          |           | -  | -  | -  | 12 | 13 | 14 | -  | -  |          |         |                                      |                        |                       |                          |
| MX150 ASSY RCP 2X8 CPA BK A/13 | 334721725            | A-BLACK  | GCP         | PLR | CPA | M        | R         | -  | -  | -  | -  | -  | -  | 7  | 8  | SALEABLE |         | N/A                                  | N/A                    | N/A                   | N/A                      |
|                                |                      |  |             |     |     |          |           | -  | -  | -  | -  | 13 | -  | -  | -  |          |         |                                      |                        |                       |                          |
| MX150 ASSY RCP 2X8 CPA BK A/12 | 334721726            | A-BLACK  | GCP         | PLR | CPA | M        | R         | -  | -  | -  | -  | -  | -  | 7  | 8  | SALEABLE |         | N/A                                  | N/A                    | N/A                   | N/A                      |
|                                |                      |  |             |     |     |          |           | -  | -  | 11 | -  | 13 | -  | -  | -  |          |         |                                      |                        |                       |                          |
| MX150 ASSY RCP 2X8 CPA LG B/12 | 334721728            | B-LIGHT GRAY   | GCP         | PLR | CPA | M        | R         | -  | -  | -  | 4  | 5  | -  | -  | 8  | SALEABLE |         | N/A                                  | N/A                    | N/A                   | N/A                      |
|                                |                      |  |             |     |     |          |           | -  | -  | -  | 12 | -  | -  | -  | -  |          |         |                                      |                        |                       |                          |
| MX150 ASSY RCP 2X8 CPA LG B/7  | 334721729            | B-LIGHT GRAY   | GCP         | PLR | CPA | M        | R         | 1  | 2  | -  | 4  | 5  | 6  | -  | 8  | SALEABLE |         | N/A                                  | N/A                    | N/A                   | N/A                      |
|                                |                      |  |             |     |     |          |           | -  | 10 | -  | 12 | 13 | -  | -  | -  |          |         |                                      |                        |                       |                          |
| MX150 ASSY RCP 2X8 CPA LG B/6  | 334721730            | B-LIGHT GRAY   | GCP         | PLR | CPA | M        | R         | -  | 2  | -  | 4  | 5  | 6  | -  | 8  | SALEABLE |         | N/A                                  | N/A                    | N/A                   | N/A                      |
|                                |                      |  |             |     |     |          |           | -  | 10 | 11 | 12 | 13 | -  | -  | 16 |          |         |                                      |                        |                       |                          |
| MX150 ASSY RCP 2X8 CPA LG B/12 | 334721731            | B-LIGHT GRAY   | GCP         | PLR | CPA | M        | R         | -  | -  | -  | 4  | 5  | -  | -  | -  | SALEABLE |         | N/A                                  | N/A                    | N/A                   | N/A                      |
|                                |                      |  |             |     |     |          |           | -  | -  | -  | 12 | 13 | -  | -  | -  |          |         |                                      |                        |                       |                          |
| MX150 ASSY RCP 2X8 CPA LG B/8  | 334721732            | B-LIGHT GRAY   | GCP         | PLR | CPA | M        | R         | -  | 2  | -  | 4  | 5  | 6  | -  | 8  | SALEABLE |         | N/A                                  | N/A                    | N/A                   | N/A                      |
|                                |                      |  |             |     |     |          |           | -  | 10 | -  | 12 | 13 | -  | -  | -  |          |         |                                      |                        |                       |                          |
| MX150 ASSY RCP 2X8 CPA LG B/14 | 334721733            | B-LIGHT GRAY   | GCP         | PLR | CPA | M        | R         | -  | -  | -  | -  | -  | 6  | -  | -  | SALEABLE |         | N/A                                  | N/A                    | N/A                   | N/A                      |
|                                |                      |  |             |     |     |          |           | -  | -  | 11 | -  | -  | -  | -  | -  |          |         |                                      |                        |                       |                          |
| MX150 ASSY RCP 2X8 CPA LG B/13 | 334721734            | B-LIGHT GRAY   | GCP         | PLR | CPA | M        | R         | -  | -  | 3  | -  | -  | 6  | -  | -  | SALEABLE |         | N/A                                  | N/A                    | N/A                   | N/A                      |
|                                |                      |  |             |     |     |          |           | -  | -  | 11 | -  | -  | -  | -  | -  |          |         |                                      |                        |                       |                          |
| MX150 ASSY RCP 2X8 CPA LG B/7  | 334721735            | B-LIGHT GRAY   | GCP         | PLR | CPA | M        | R         | -  | 2  | 3  | 4  | 5  | 6  | -  | 8  | SALEABLE |         | N/A                                  | N/A                    | N/A                   | N/A                      |
|                                |                      |  |             |     |     |          |           | -  | 10 | -  | 12 | 13 | -  | -  | -  |          |         |                                      |                        |                       |                          |
| MX150 ASSY RCP 2X8 BK A/8      | 334721736            | A-BLACK  | GCP         | PLR |     | M        | R         | -  | 2  | -  | 4  | 5  | 6  | -  | -  | SALEABLE |         | N/A                                  | N/A                    | N/A                   | N/A                      |
|                                |                      |  |             |     |     |          |           | -  | 10 | -  | 12 | 13 | 14 | -  | -  |          |         |                                      |                        |                       |                          |
| MX150 ASSY RCP 2X8 CPA LG B/4  | 334721737            | B-LIGHT GRAY   | GCP         | PLR | CPA | M        | R         | 1  | 2  | 3  | 4  | 5  | 6  | -  | 8  | SALEABLE |         | N/A                                  | N/A                    | N/A                   | N/A                      |
|                                |                      |  |             |     |     |          |           | -  | 10 | 11 | 12 | 13 | -  | -  | 16 |          |         |                                      |                        |                       |                          |
| MX150 ASSY RCP 2X8 CPA LG B/15 | 334721738            | B-LIGHT GRAY   | GCP         | PLR | CPA | M        | R         | -  | -  | -  | -  | -  | -  | -  | -  | SALEABLE |         | N/A                                  | N/A                    | N/A                   | N/A                      |
|                                |                      |  |             |     |     |          |           | -  | 10 | -  | -  | -  | -  | -  | -  |          |         |                                      |                        |                       |                          |
| MX150 ASSY RCP 2X8 CPA LG B/11 | 334721739            | B-LIGHT GRAY   | GCP         | PLR | CPA | M        | R         | -  | -  | -  | 4  | 5  | -  | -  | -  | SALEABLE |         | N/A                                  | N/A                    | N/A                   | N/A                      |
|                                |                      |  |             |     |     |          |           | -  | 10 | -  | 12 | 13 | -  | -  | -  |          |         |                                      |                        |                       |                          |
| MX150 ASSY RCP 2X8 CPA BK A/14 | 334721740            | A-BLACK  | GCP         | PLR | CPA | M        | R         | -  | -  | -  | -  | 5  | -  | -  | -  | SALEABLE |         | N/A                                  | N/A                    | N/A                   | N/A                      |
|                                |                      |  |             |     |     |          |           | -  | -  | -  | -  | 13 | -  | -  | -  |          |         |                                      |                        |                       |                          |
| MX150 ASSY RCP 2X8 CPA BK A/9  | 334721741            | A-BLACK  | GCP         | PLR | CPA | M        | R         | -  | -  | -  | -  | -  | -  | 7  | 8  | SALEABLE |         | N/A                                  | N/A                    | N/A                   | N/A                      |
|                                |                      |  |             |     |     |          |           | -  | -  | 11 | 12 | 13 | 14 | 15 | -  |          |         |                                      |                        |                       |                          |
| MX150 ASSY RCP 2X8 CPA BK A/10 | 334721742            | A-BLACK  | GCP         | PLR | CPA | M        | R         | -  | -  | -  | -  | -  | -  | 7  | 8  | SALEABLE |         | N/A                                  | N/A                    | N/A                   | N/A                      |
|                                |                      |  |             |     |     |          |           | -  | -  | -  | 12 | 13 | 14 | 15 | -  |          |         |                                      |                        |                       |                          |
| MX150 ASSY RCP 2X8 CPA BK A/14 | 334721743            | A-BLACK  | GCP         | PLR | CPA | M        | R         | -  | -  | -  | -  | -  | -  | 7  | 8  | SALEABLE |         | N/A                                  | N/A                    | N/A                   | N/A                      |
|                                |                      |  |             |     |     |          |           | -  | -  | -  | -  | -  | -  | -  | -  |          |         |                                      |                        |                       |                          |





| ASSEMBLY DESCRIPTION           | ASSEMBLY PART NUMBER | COMPONENT  |             |     |     |          |           | BLOCKED TERMINALS  |    |    |    |    |    |    |    | STATUS   | COMMENT | OPTIONAL ATTACHMENTS SOLD SEPARATELY |                        |                       |                          |
|--------------------------------|----------------------|--|-------------|-----|-----|----------|-----------|--|----|----|----|----|----|----|----|----------|---------|--------------------------------------|------------------------|-----------------------|--------------------------|
|                                |                      | THE PRESENCE OF AN ABBREVIATION INDICATES THE PRESENCE OF THAT COMPONENT |             |     |     |          |           | CAVITY WITH A NUMBER INDICATES BLOCKED TERMINAL POSITION<br>CAVITY WITHOUT A NUMBER INDICATES OPEN TERMINAL POSITION |    |    |    |    |    |    |    |          |         | BACKSHELL WITH RIBS                  | BACKSHELL WITHOUT RIBS | 90° ADAPTOR WITH RIBS | 90° ADAPTOR WITHOUT RIBS |
|                                |                      | HOUSING KEY/COLOR  | GROMMET CAP | PLR | CPA | MAT SEAL | RING SEAL | 1  | 2  | 3  | 4  | 5  | 6  | 7  | 8  |          |         |                                      |                        |                       |                          |
| MX150 ASSY RCP 2X8 LG B/2      | 334721771            | B-LIGHT GRAY   | GCP         | PLR |     | M        | R         | 1  | 2  | 3  | 4  | 5  | 6  | 7  | 8  | SALEABLE |         | N/A                                  | N/A                    | N/A                   | N/A                      |
|                                |                      |  |             |     |     |          |           | 9  | 10 | -  | 12 | -  | 14 | 15 | 16 |          |         |                                      |                        |                       |                          |
| MX150 ASSY RCP 2X8 LG B/3      | 334721772            | B-LIGHT GRAY   | GCP         | PLR |     | M        | R         | 1  | 2  | 3  | 4  | 5  | 6  | 7  | 8  | SALEABLE |         | N/A                                  | N/A                    | N/A                   | N/A                      |
|                                |                      |  |             |     |     |          |           | 9  | 10 | -  | 12 | -  | 14 | 15 | -  |          |         |                                      |                        |                       |                          |
| MX150 ASSY RCP 2X8 CPA LG B/10 | 334721773            | B-LIGHT GRAY   | GCP         | PLR | CPA | M        | R         | -  | -  | -  | 4  | 5  | -  | -  | -  | SALEABLE |         | N/A                                  | N/A                    | N/A                   | N/A                      |
|                                |                      |  |             |     |     |          |           | -  | 10 | 11 | 12 | 13 | -  | -  | -  |          |         |                                      |                        |                       |                          |
| MX150 ASSY RCP 2X8 CPA LG B/9  | 334721774            | B-LIGHT GRAY   | GCP         | PLR | CPA | M        | R         | -  | -  | -  | 4  | 5  | -  | -  | 8  | SALEABLE |         | N/A                                  | N/A                    | N/A                   | N/A                      |
|                                |                      |  |             |     |     |          |           | -  | 10 | 11 | 12 | 13 | -  | -  | -  |          |         |                                      |                        |                       |                          |
| MX150 ASSY RCP 2X8 CPA LG B/8  | 334721775            | B-LIGHT GRAY   | GCP         | PLR | CPA | M        | R         | -  | -  | -  | 4  | 5  | -  | -  | 8  | SALEABLE |         | N/A                                  | N/A                    | N/A                   | N/A                      |
|                                |                      |  |             |     |     |          |           | -  | 10 | 11 | 12 | 13 | -  | -  | 16 |          |         |                                      |                        |                       |                          |
| MX150 ASSY RCP 2X8 CPA LG B/10 | 334721776            | B-LIGHT GRAY   | GCP         | PLR | CPA | M        | R         | -  | -  | -  | 4  | 5  | -  | -  | 8  | SALEABLE |         | N/A                                  | N/A                    | N/A                   | N/A                      |
|                                |                      |  |             |     |     |          |           | -  | 10 | -  | 12 | 13 | -  | -  | -  |          |         |                                      |                        |                       |                          |
| MX150 ASSY RCP 2X8 CPA LG B/11 | 334721777            | B-LIGHT GRAY   | GCP         | PLR | CPA | M        | R         | -  | -  | -  | 4  | 5  | -  | -  | -  | SALEABLE |         | N/A                                  | N/A                    | N/A                   | N/A                      |
|                                |                      |  |             |     |     |          |           | -  | -  | 11 | 12 | 13 | -  | -  | -  |          |         |                                      |                        |                       |                          |
| MX150 ASSY RCP 2X8 BK A/10     | 334721778            | A-BLACK  | GCP         | PLR |     | M        | R         | -  | -  | 3  | 4  | -  | -  | -  | -  | SALEABLE |         | N/A                                  | N/A                    | N/A                   | N/A                      |
|                                |                      |  |             |     |     |          |           | 9  | 10 | -  | -  | -  | -  | 15 | 16 |          |         |                                      |                        |                       |                          |
| MX150 ASSY RCP 2X8 BK A/7      | 334721779            | A-BLACK  | GCP         | PLR |     | M        | R         | -  | 2  | -  | 4  | -  | 6  | 7  | -  | SALEABLE |         | N/A                                  | N/A                    | N/A                   | N/A                      |
|                                |                      |  |             |     |     |          |           | 9  | -  | 11 | -  | 13 | -  | 15 | 16 |          |         |                                      |                        |                       |                          |
| MX150 ASSY RCP 2X8 CPA BK A/13 | 334721780            | A-BLACK  | GCP         | PLR | CPA | M        | R         | -  | -  | -  | -  | -  | -  | -  | -  | SALEABLE |         | N/A                                  | N/A                    | N/A                   | N/A                      |
|                                |                      |  |             |     |     |          |           | -  | -  | -  | -  | -  | 14 | 15 | 16 |          |         |                                      |                        |                       |                          |
| MX150 ASSY RCP 2X8 BK A/13     | 334721781            | A-BLACK  | GCP         | PLR |     | M        | R         | -  | -  | -  | 4  | 5  | -  | 7  | -  | SALEABLE |         | N/A                                  | N/A                    | N/A                   | N/A                      |
|                                |                      |  |             |     |     |          |           | -  | -  | -  | -  | -  | -  | -  | -  |          |         |                                      |                        |                       |                          |
| MX150 ASSY RCP 2X8 CPA BK A/11 | 334721782            | A-BLACK  | GCP         | PLR | CPA | M        | R         | -  | -  | -  | -  | -  | -  | -  | -  | SALEABLE |         | N/A                                  | N/A                    | N/A                   | N/A                      |
|                                |                      |  |             |     |     |          |           | -  | -  | -  | 12 | 13 | 14 | 15 | 16 |          |         |                                      |                        |                       |                          |
| MX150 ASSY RCP 2X8 BK A/4      | 334721783            | A-BLACK  | GCP         | PLR |     | M        | R         | 1  | 2  | 3  | 4  | -  | -  | 7  | 8  | SALEABLE |         | N/A                                  | N/A                    | N/A                   | N/A                      |
|                                |                      |  |             |     |     |          |           | 9  | 10 | 11 | 12 | -  | -  | 15 | 16 |          |         |                                      |                        |                       |                          |
| MX150 ASSY RCP 2X8 BK A/6      | 334721784            | A-BLACK  | GCP         | PLR |     | M        | R         | 1  | 2  | 3  | 4  | -  | -  | -  | 8  | SALEABLE |         | N/A                                  | N/A                    | N/A                   | N/A                      |
|                                |                      |  |             |     |     |          |           | 9  | 10 | 11 | 12 | -  | -  | -  | 16 |          |         |                                      |                        |                       |                          |
| MX150 ASSY RCP 2X8 BK A/9      | 334721785            | A-BLACK  | GCP         | PLR |     | M        | R         | -  | 2  | 3  | 4  | -  | -  | -  | -  | SALEABLE |         | N/A                                  | N/A                    | N/A                   | N/A                      |
|                                |                      |  |             |     |     |          |           | 9  | 10 | -  | -  | -  | -  | 15 | 16 |          |         |                                      |                        |                       |                          |
| MX150 ASSY RCP 2X8 BK A/3      | 334721786            | A-BLACK  | GCP         | PLR |     | M        | R         | -  | 2  | 3  | 4  | 5  | 6  | 7  | 8  | SALEABLE |         | N/A                                  | N/A                    | N/A                   | N/A                      |
|                                |                      |  |             |     |     |          |           | 9  | 10 | -  | 12 | -  | 14 | 15 | 16 |          |         |                                      |                        |                       |                          |
| MX150 ASSY RCP 2X8 BK A/10     | 334721787            | A-BLACK  | GCP         | PLR |     | M        | R         | -  | -  | -  | -  | 5  | -  | -  | 8  | SALEABLE |         | N/A                                  | N/A                    | N/A                   | N/A                      |
|                                |                      |  |             |     |     |          |           | -  | 10 | 11 | -  | 13 | -  | 15 | -  |          |         |                                      |                        |                       |                          |
| MX150 ASSY RCP 2X8 BK A/9      | 334721788            | A-BLACK  | GCP         | PLR |     | M        | R         | -  | -  | 3  | -  | 5  | -  | -  | 8  | SALEABLE |         | N/A                                  | N/A                    | N/A                   | N/A                      |
|                                |                      |  |             |     |     |          |           | -  | 10 | 11 | -  | 13 | -  | 15 | -  |          |         |                                      |                        |                       |                          |
| MX150 ASSY RCP 2X8 BK A/11     | 334721789            | A-BLACK  | GCP         | PLR |     | M        | R         | -  | -  | -  | -  | 5  | -  | -  | 8  | SALEABLE |         | N/A                                  | N/A                    | N/A                   | N/A                      |
|                                |                      |  |             |     |     |          |           | -  | 10 | 11 | -  | -  | 14 | -  | -  |          |         |                                      |                        |                       |                          |
| MX150 ASSY RCP 2X8 BK A/6      | 334721790            | A-BLACK  | GCP         | PLR |     | M        | R         | -  | -  | 3  | 4  | 5  | -  | -  | 8  | SALEABLE |         | N/A                                  | N/A                    | N/A                   | N/A                      |
|                                |                      |  |             |     |     |          |           | -  | 10 | 11 | 12 | 13 | 14 | 15 | -  |          |         |                                      |                        |                       |                          |
| MX150 ASSY RCP 2X8 BK A/7      | 334721792            | A-BLACK  | GCP         | PLR |     | M        | R         | 1  | -  | 3  | -  | 5  | -  | 7  | 8  | SALEABLE |         | N/A                                  | N/A                    | N/A                   | N/A                      |
|                                |                      |  |             |     |     |          |           | -  | 10 | 11 | -  | -  | 14 | 15 | -  |          |         |                                      |                        |                       |                          |
| MX150 ASSY RCP 2X8 BK A/12     | 334721793            | A-BLACK  | GCP         | PLR |     | M        | R         | -  | -  | -  | -  | -  | -  | -  | -  | SALEABLE |         | N/A                                  | N/A                    | N/A                   | N/A                      |
|                                |                      |  |             |     |     |          |           | -  | -  | -  | -  | 13 | 14 | 15 | 16 |          |         |                                      |                        |                       |                          |
| MX150 ASSY RCP 2X8 CPA BK A/14 | 334721795            | A-BLACK  | GCP         | PLR | CPA | M        | R         | -  | -  | -  | -  | -  | -  | -  | -  | SALEABLE |         | N/A                                  | N/A                    | N/A                   | N/A                      |
|                                |                      |  |             |     |     |          |           | -  | -  | -  | 12 | -  | 14 | -  | -  |          |         |                                      |                        |                       |                          |
| MX150 ASSY RCP 2X8 BK A/8      | 334721796            | A-BLACK  | GCP         | PLR |     | M        | R         | 1  | -  | -  | -  | 5  | -  | 7  | 8  | SALEABLE |         | N/A                                  | N/A                    | N/A                   | N/A                      |
|                                |                      |  |             |     |     |          |           | -  | 10 | 11 | -  | -  | 14 | 15 | -  |          |         |                                      |                        |                       |                          |
| MX150 ASSY RCP 2X8 BK A/12     | 334721797            | A-BLACK  | GCP         | PLR |     | M        | R         | -  | -  | -  | -  | 5  | -  | -  | 8  | SALEABLE |         | N/A                                  | N/A                    | N/A                   | N/A                      |
|                                |                      |  |             |     |     |          |           | -  | 10 | 11 | -  | -  | -  | -  | -  |          |         |                                      |                        |                       |                          |
| MX150 ASSY RCP 2X8 BK A/10     | 334721798            | A-BLACK  | GCP         | PLR |     | M        | R         | 1  | -  | 3  | -  | 5  | -  | 7  | -  | SALEABLE |         | N/A                                  | N/A                    | N/A                   | N/A                      |
|                                |                      |  |             |     |     |          |           | -  | -  | 11 | -  | -  | -  | 15 | -  |          |         |                                      |                        |                       |                          |
| MX150 ASSY RCP 2X8 CPA LG B/11 | 334721799            | B-LIGHT GRAY   | GCP         | PLR | CPA | M        | R         | -  | 2  | -  | 4  | -  | -  | -  | 8  | SALEABLE |         | N/A                                  | N/A                    | N/A                   | N/A                      |
|                                |                      |  |             |     |     |          |           | -  | -  | -  | 12 | -  | 14 | -  | -  |          |         |                                      |                        |                       |                          |

**BOM AND PIN OUT SHEET**

| ASSEMBLY DESCRIPTION           | ASSEMBLY PART NUMBER | COMPONENT  |             |     |     |          |           | BLOCKED TERMINALS  |   |   |   |   |   |   |   | STATUS   | COMMENT | OPTIONAL ATTACHMENTS SOLD SEPARATELY |                        |                       |                          |
|--------------------------------|----------------------|--|-------------|-----|-----|----------|-----------|--|---|---|---|---|---|---|---|----------|---------|--------------------------------------|------------------------|-----------------------|--------------------------|
|                                |                      | THE PRESENCE OF AN ABBREVIATION INDICATES THE PRESENCE OF THAT COMPONENT |             |     |     |          |           | CAVITY WITH A NUMBER INDICATES BLOCKED TERMINAL POSITION<br>CAVITY WITHOUT A NUMBER INDICATES OPEN TERMINAL POSITION |   |   |   |   |   |   |   |          |         | BACKSHELL WITH RIBS                  | BACKSHELL WITHOUT RIBS | 90° ADAPTOR WITH RIBS | 90° ADAPTOR WITHOUT RIBS |
|                                |                      | HOUSING KEY/COLOR  | GROMMET CAP | PLR | CPA | MAT SEAL | RING SEAL | 1  | 2 | 3 | 4 | 5 | 6 | 7 | 8 |          |         |                                      |                        |                       |                          |
| MX150 ASSY RCP 2X8 BK A/13     | 334721800            | A-BLACK  | GCP         | PLR |     | M        | R         | 1  | - | 3 | - | 5 | - | - | - | SALEABLE |         | N/A                                  | N/A                    | N/A                   | N/A                      |
| MX150 ASSY RCP 2X8 CPA LG B/11 | 334721801            | B-LIGHT GRAY   | GCP         | PLR | CPA | M        | R         | -  | - | - | 4 | 5 | - | - | 8 | SALEABLE |         | N/A                                  | N/A                    | N/A                   | N/A                      |
| MX150 ASSY RCP 2X8 CPA LG B/9  | 334721802            | B-LIGHT GRAY   | GCP         | PLR | CPA | M        | R         | -  | 2 | - | 4 | 5 | 6 | - | 8 | SALEABLE |         | N/A                                  | N/A                    | N/A                   | N/A                      |
| MX150 ASSY RCP 2X8 CPA LG B/8  | 334721804            | B-LIGHT GRAY   | GCP         | PLR | CPA | M        | R         | -  | 2 | 3 | 4 | 5 | 6 | - | 8 | SALEABLE |         | N/A                                  | N/A                    | N/A                   | N/A                      |
| MX150 ASSY RCP 2X8 BK A/14     | 334721805            | A-BLACK  | GCP         | PLR |     | M        | R         | -  | - | - | - | - | - | - | - | SALEABLE |         | N/A                                  | N/A                    | N/A                   | N/A                      |
| MX150 ASSY RCP 2X8 CPA BK A/8  | 334721806            | A-BLACK  | GCP         | PLR | CPA | M        | R         | 1  | - | 3 | 4 | - | - | - | - | SALEABLE |         | N/A                                  | N/A                    | N/A                   | N/A                      |
| MX150 ASSY RCP 2X8 CPA BK A/4  | 334721807            | A-BLACK  | GCP         | PLR | CPA | M        | R         | 1  | 2 | 3 | 4 | 5 | - | - | 8 | SALEABLE |         | N/A                                  | N/A                    | N/A                   | N/A                      |
| MX150 ASSY RCP 2X8 CPA BK A/10 | 334721808            | A-BLACK  | GCP         | PLR | CPA | M        | R         | -  | 2 | 3 | 4 | 5 | - | - | 8 | SALEABLE |         | N/A                                  | N/A                    | N/A                   | N/A                      |
| MX150 ASSY RCP 2X8 CPA BK A/14 | 334721809            | A-BLACK  | GCP         | PLR | CPA | M        | R         | -  | - | 3 | 4 | - | - | - | - | SALEABLE |         | N/A                                  | N/A                    | N/A                   | N/A                      |
| MX150 ASSY RCP 2X8 BK A/4      | 334721810            | A-BLACK  | GCP         | PLR |     | M        | R         | 1  | 2 | 3 | 4 | 5 | 6 | 7 | 8 | SALEABLE |         | N/A                                  | N/A                    | N/A                   | N/A                      |
| MX150 ASSY RCP 2X8 BK A/10     | 334721811            | A-BLACK  | GCP         | PLR |     | M        | R         | 1  | 2 | 3 | - | - | - | - | - | SALEABLE |         | N/A                                  | N/A                    | N/A                   | N/A                      |
| MX150 ASSY RCP 2X8 BK A/11     | 334721812            | A-BLACK  | GCP         | PLR |     | M        | R         | 1  | 2 | - | - | - | - | - | - | SALEABLE |         | N/A                                  | N/A                    | N/A                   | N/A                      |
| MX150 ASSY RCP 2X8 LG B/12     | 334721813            | B-LIGHT GRAY   | GCP         | PLR |     | M        | R         | -  | - | - | - | - | 6 | 7 | 8 | SALEABLE |         | N/A                                  | N/A                    | N/A                   | N/A                      |
| MX150 ASSY RCP 2X8 LG B/11     | 334721814            | B-LIGHT GRAY   | GCP         | PLR |     | M        | R         | -  | - | - | - | - | 6 | 7 | 8 | SALEABLE |         | N/A                                  | N/A                    | N/A                   | N/A                      |
| MX150 ASSY RCP 2X8 LG B/9      | 334721815            | B-LIGHT GRAY   | GCP         | PLR |     | M        | R         | -  | - | - | - | - | 6 | - | - | SALEABLE |         | N/A                                  | N/A                    | N/A                   | N/A                      |
| MX150 ASSY RCP 2X8 LG B/7      | 334721816            | B-LIGHT GRAY   | GCP         | PLR |     | M        | R         | -  | - | - | - | - | 6 | - | - | SALEABLE |         | N/A                                  | N/A                    | N/A                   | N/A                      |
| MX150 ASSY RCP 2X8 LG B/2      | 334721817            | B-LIGHT GRAY   | GCP         | PLR |     | M        | R         | 1  | 2 | 3 | 4 | 5 | 6 | - | - | SALEABLE |         | N/A                                  | N/A                    | N/A                   | N/A                      |
| MX150 ASSY RCP 2X8 BK A/8      | 334721818            | A-BLACK  | GCP         | PLR |     | M        | R         | -  | - | - | - | - | - | - | - | SALEABLE |         | N/A                                  | N/A                    | N/A                   | N/A                      |
| MX150 ASSY RCP 2X8 CPA BK A/3  | 334721819            | A-BLACK  | GCP         | PLR | CPA | M        | R         | -  | - | - | 4 | 5 | 6 | 7 | 8 | SALEABLE |         | N/A                                  | N/A                    | N/A                   | N/A                      |
| MX150 ASSY RCP 2X8 CPA BK A/9  | 334721820            | A-BLACK  | GCP         | PLR | CPA | M        | R         | -  | - | - | - | - | - | - | 8 | SALEABLE |         | N/A                                  | N/A                    | N/A                   | N/A                      |
| MX150 ASSY RCP 2X8 CPA LG B/11 | 334721821            | B-LIGHT GRAY   | GCP         | PLR | CPA | M        | R         | -  | - | - | 4 | 5 | - | 7 | - | SALEABLE |         | N/A                                  | N/A                    | N/A                   | N/A                      |
| MX150 ASSY RCP 2X8 CPA LG B/10 | 334721822            | B-LIGHT GRAY   | GCP         | PLR | CPA | M        | R         | -  | - | - | 4 | 5 | - | 7 | - | SALEABLE |         | N/A                                  | N/A                    | N/A                   | N/A                      |
| MX150 ASSY RCP 2X8 CPA LG B/9  | 334721823            | B-LIGHT GRAY   | GCP         | PLR | CPA | M        | R         | -  | - | - | 4 | 5 | - | 7 | 8 | SALEABLE |         | N/A                                  | N/A                    | N/A                   | N/A                      |
| MX150 ASSY RCP 2X8 CPA LG B/8  | 334721824            | B-LIGHT GRAY   | GCP         | PLR | CPA | M        | R         | -  | - | - | 4 | 5 | - | 7 | 8 | SALEABLE |         | N/A                                  | N/A                    | N/A                   | N/A                      |
| MX150 ASSY RCP 2X8 CPA LG B/6  | 334721825            | B-LIGHT GRAY   | GCP         | PLR | CPA | M        | R         | -  | 2 | - | 4 | 5 | 6 | 7 | 8 | SALEABLE |         | N/A                                  | N/A                    | N/A                   | N/A                      |
| MX150 ASSY RCP 2X8 BK A/5      | 334721826            | A-BLACK  | GCP         | PLR |     | M        | R         | 1  | 2 | 3 | 4 | 5 | 6 | - | - | SALEABLE |         | N/A                                  | N/A                    | N/A                   | N/A                      |
| MX150 ASSY RCP 2X8 BK A/2      | 334721827            | A-BLACK  | GCP         | PLR |     | M        | R         | 1  | 2 | 3 | 4 | 5 | 6 | - | - | SALEABLE |         | N/A                                  | N/A                    | N/A                   | N/A                      |



| ASSEMBLY DESCRIPTION       | ASSEMBLY PART NUMBER | COMPONENT  |             |     |     |          |           | BLOCKED TERMINALS  |    |    |    |    |    |    |    | STATUS | COMMENT | OPTIONAL ATTACHMENTS SOLD SEPARATELY |                        |                       |                          |
|----------------------------|----------------------|--|-------------|-----|-----|----------|-----------|--|----|----|----|----|----|----|----|--------|---------|--------------------------------------|------------------------|-----------------------|--------------------------|
|                            |                      | THE PRESENCE OF AN ABBREVIATION INDICATES THE PRESENCE OF THAT COMPONENT |             |     |     |          |           | CAVITY WITH A NUMBER INDICATES BLOCKED TERMINAL POSITION<br>CAVITY WITHOUT A NUMBER INDICATES OPEN TERMINAL POSITION |    |    |    |    |    |    |    |        |         | BACKSHELL WITH RIBS                  | BACKSHELL WITHOUT RIBS | 90° ADAPTOR WITH RIBS | 90° ADAPTOR WITHOUT RIBS |
|                            |                      | HOUSING KEY/COLOR  | GROMMET CAP | PLR | CPA | MAT SEAL | RING SEAL | 1  | 2  | 3  | 4  | 5  | 6  | 7  | 8  |        |         |                                      |                        |                       |                          |
| MX150 ASSY RCP 2X8 BK A/10 | 334721828            | A-BLACK  | GCP         | PLR |     | M        | R         | -  | -  | -  | -  | -  | 6  | -  | -  |        |         | N/A                                  | N/A                    | N/A                   | N/A                      |
| MX150 ASSY RCP 2X8 BK A/5  | 334721829            | A-BLACK  | GCP         | PLR |     | M        | R         | 1  | 2  | 3  | 4  | 5  | 6  | -  | -  |        |         | N/A                                  | N/A                    | N/A                   | N/A                      |
| MX150 ASSY RCP 2X8 BK A/8  | 334721830            | A-BLACK  | GCP         | PLR |     | M        | R         | 1  | 2  | 3  | 4  | 5  | 6  | -  | -  |        |         | N/A                                  | N/A                    | N/A                   | N/A                      |
| MX150 ASSY RCP 2X8 BK A/7  | 334721831            | A-BLACK  | GCP         | PLR |     | M        | R         | -  | -  | -  | -  | -  | 6  | -  | -  |        |         | N/A                                  | N/A                    | N/A                   | N/A                      |
| MX150 ASSY RCP 2X8 BK A/13 | 334721832            | A-BLACK  | GCP         | PLR |     | M        | R         | 9  | 10 | 11 | 12 | 13 | 14 | 15 | 16 |        |         | N/A                                  | N/A                    | N/A                   | N/A                      |
| MX150 ASSY RCP 2X8 BK A/7  | 334721833            | A-BLACK  | GCP         | PLR |     | M        | R         | 1  | 2  | 3  | 4  | 5  | 6  | -  | 8  |        |         | N/A                                  | N/A                    | N/A                   | N/A                      |
| MX150 ASSY RCP 2X8 BK A/5  | 334721834            | A-BLACK  | GCP         | PLR |     | M        | R         | 1  | 2  | 3  | 4  | 5  | 6  | 7  | 8  |        |         | N/A                                  | N/A                    | N/A                   | N/A                      |
| MX150 ASSY RCP 2X8 BK A/4  | 334721835            | A-BLACK  | GCP         | PLR |     | M        | R         | 1  | 2  | 3  | 4  | 5  | 6  | 7  | -  |        |         | N/A                                  | N/A                    | N/A                   | N/A                      |
| MX150 ASSY RCP 2X8 LG B/8  | 334721836            | B-LIGHT GRAY   | GCP         | PLR |     | M        | R         | -  | -  | 3  | 4  | 5  | 6  | -  | -  |        |         | N/A                                  | N/A                    | N/A                   | N/A                      |
| MX150 ASSY RCP 2X8 BK A/12 | 334721837            | A-BLACK  | GCP         | PLR |     | M        | R         | -  | -  | -  | -  | -  | -  | -  | -  |        |         | N/A                                  | N/A                    | N/A                   | N/A                      |
| MX150 ASSY RCP 2X8 BK A/14 | 334721838            | A-BLACK  | GCP         | PLR |     | M        | R         | -  | -  | -  | -  | -  | -  | -  | -  |        |         | N/A                                  | N/A                    | N/A                   | N/A                      |
| MX150 ASSY RCP 2X8 BK A/9  | 334721839            | A-BLACK  | GCP         | PLR |     | M        | R         | 1  | -  | 3  | -  | -  | -  | -  | -  |        |         | N/A                                  | N/A                    | N/A                   | N/A                      |
| MX150 ASSY RCP 2X8 BK A/6  | 334721840            | A-BLACK  | GCP         | PLR |     | M        | R         | 1  | -  | 3  | -  | -  | -  | -  | 8  |        |         | N/A                                  | N/A                    | N/A                   | N/A                      |
| MX150 ASSY RCP 2X8 BK A/10 | 334721841            | A-BLACK  | GCP         | PLR |     | M        | R         | 1  | 2  | -  | -  | 5  | 6  | 7  | 8  |        |         | N/A                                  | N/A                    | N/A                   | N/A                      |
| MX150 ASSY RCP 2X8 BK A/12 | 334721842            | A-BLACK  | GCP         | PLR |     | M        | R         | -  | -  | 3  | 4  | -  | -  | -  | -  |        |         | N/A                                  | N/A                    | N/A                   | N/A                      |
| MX150 ASSY RCP 2X8 BK A/11 | 334721843            | A-BLACK  | GCP         | PLR |     | M        | R         | -  | -  | -  | -  | -  | -  | -  | -  |        |         | N/A                                  | N/A                    | N/A                   | N/A                      |
| MX150 ASSY RCP 2X8 BK A/6  | 334721844            | A-BLACK  | GCP         | PLR |     | M        | R         | 9  | 10 | 11 | 12 | 13 | 14 | 15 | 16 |        |         | N/A                                  | N/A                    | N/A                   | N/A                      |
| MX150 ASSY RCP 2X8 LG B/5  | 334721845            | B-LIGHT GRAY   | GCP         | PLR |     | M        | R         | -  | -  | 3  | 4  | 5  | 6  | -  | 8  |        |         | N/A                                  | N/A                    | N/A                   | N/A                      |
| MX150 ASSY RCP 2X8 BK A/12 | 334721846            | A-BLACK  | GCP         | PLR |     | M        | R         | -  | -  | -  | -  | -  | -  | -  | -  |        |         | N/A                                  | N/A                    | N/A                   | N/A                      |
| MX150 ASSY RCP 2X8 BK A/14 | 334721847            | A-BLACK  | GCP         | PLR |     | M        | R         | -  | -  | -  | -  | -  | -  | -  | -  |        |         | N/A                                  | N/A                    | N/A                   | N/A                      |
| MX150 ASSY RCP 2X8 BK A/2  | 334721848            | A-BLACK  | GCP         | PLR |     | M        | R         | 1  | 2  | 3  | 4  | 5  | 6  | 7  | 8  |        |         | N/A                                  | N/A                    | N/A                   | N/A                      |
| MX150 ASSY RCP 2X8 BK A/11 | 334721849            | A-BLACK  | GCP         | PLR |     | M        | R         | 9  | 10 | 11 | -  | -  | 14 | 15 | 16 |        |         | N/A                                  | N/A                    | N/A                   | N/A                      |
| MX150 ASSY RCP 2X8 BK A/8  | 334721850            | A-BLACK  | GCP         | PLR |     | M        | R         | -  | 2  | -  | -  | -  | -  | -  | 8  |        |         | N/A                                  | N/A                    | N/A                   | N/A                      |
| MX150 ASSY RCP 2X8 BK A/5  | 334721851            | A-BLACK  | GCP         | PLR |     | M        | R         | 1  | -  | 3  | -  | -  | -  | -  | -  |        |         | N/A                                  | N/A                    | N/A                   | N/A                      |
| MX150 ASSY RCP 2X8 BK A/3  | 334721852            | A-BLACK  | GCP         | PLR |     | M        | R         | 1  | 2  | -  | -  | 5  | -  | 7  | 8  |        |         | N/A                                  | N/A                    | N/A                   | N/A                      |
| MX150 ASSY RCP 2X8 BK A/5  | 334721853            | A-BLACK  | GCP         | PLR |     | M        | R         | 9  | 10 | 11 | 12 | 13 | 14 | 15 | 16 |        |         | N/A                                  | N/A                    | N/A                   | N/A                      |
| MX150 ASSY RCP 2X8 BK A/11 | 334721854            | A-BLACK  | GCP         | PLR |     | M        | R         | -  | 2  | -  | -  | 5  | -  | 7  | -  |        |         | N/A                                  | N/A                    | N/A                   | N/A                      |



| ASSEMBLY DESCRIPTION           | ASSEMBLY PART NUMBER | COMPONENT  |             |     |     |          |           | BLOCKED TERMINALS  |    |    |    |    |    |    |    | STATUS   | COMMENT | OPTIONAL ATTACHMENTS SOLD SEPARATELY |                        |                       |                          |
|--------------------------------|----------------------|--|-------------|-----|-----|----------|-----------|--|----|----|----|----|----|----|----|----------|---------|--------------------------------------|------------------------|-----------------------|--------------------------|
|                                |                      | THE PRESENCE OF AN ABBREVIATION INDICATES THE PRESENCE OF THAT COMPONENT |             |     |     |          |           | CAVITY WITH A NUMBER INDICATES BLOCKED TERMINAL POSITION<br>CAVITY WITHOUT A NUMBER INDICATES OPEN TERMINAL POSITION |    |    |    |    |    |    |    |          |         | BACKSHELL WITH RIBS                  | BACKSHELL WITHOUT RIBS | 90° ADAPTOR WITH RIBS | 90° ADAPTOR WITHOUT RIBS |
|                                |                      | HOUSING KEY/COLOR  | GROMMET CAP | PLR | CPA | MAT SEAL | RING SEAL | 1  | 2  | 3  | 4  | 5  | 6  | 7  | 8  |          |         |                                      |                        |                       |                          |
| MX150 ASSY RCP 2X8 BK A/7      | 334721882            | A-BLACK  | GCP         | PLR |     | M        | R         | 1  | -  | -  | 4  | 5  | 6  | -  | 8  | SALEABLE |         | N/A                                  | N/A                    | N/A                   | N/A                      |
|                                |                      |  |             |     |     |          |           | -  | -  | -  | 12 | 13 | 14 | -  | 16 |          |         |                                      |                        |                       |                          |
| MX150 ASSY RCP 2X8 BK A/3      | 334721883            | A-BLACK  | GCP         | PLR |     | M        | R         | 1  | 2  | -  | 4  | 5  | 6  | -  | 8  | SALEABLE |         | N/A                                  | N/A                    | N/A                   | N/A                      |
|                                |                      |  |             |     |     |          |           | 9  | 10 | -  | 12 | 13 | 14 | 15 | 16 |          |         |                                      |                        |                       |                          |
| MX150 ASSY RCP 2X8 BK A/7      | 334721884            | A-BLACK  | GCP         | PLR |     | M        | R         | -  | -  | -  | 4  | 5  | -  | -  | 8  | SALEABLE |         | N/A                                  | N/A                    | N/A                   | N/A                      |
|                                |                      |  |             |     |     |          |           | -  | 10 | 11 | 12 | 13 | 14 | 15 | -  |          |         |                                      |                        |                       |                          |
| MX150 ASSY RCP 2X8 BK A/8      | 334721885            | A-BLACK  | GCP         | PLR |     | M        | R         | -  | -  | -  | -  | -  | -  | 7  | 8  | SALEABLE |         | N/A                                  | N/A                    | N/A                   | N/A                      |
|                                |                      |  |             |     |     |          |           | 9  | 10 | 11 | 12 | 13 | 14 | -  | -  |          |         |                                      |                        |                       |                          |
| MX150 ASSY RCP 2X8 CPA YW A/16 | 334721886            | A-YELLOW   | GCO         | PLR | CPA | M        | R         | -  | -  | -  | -  | -  | -  | -  | -  | SALEABLE |         | N/A                                  | N/A                    | N/A                   | N/A                      |
|                                |                      |  |             |     |     |          |           | -  | -  | -  | -  | -  | -  | -  | -  |          |         |                                      |                        |                       |                          |
| MX150 ASSY RCP 2X8 BK A/9      | 334721887            | A-BLACK  | GCP         | PLR |     | M        | R         | 1  | -  | -  | 4  | 5  | -  | -  | -  | SALEABLE |         | N/A                                  | N/A                    | N/A                   | N/A                      |
|                                |                      |  |             |     |     |          |           | -  | -  | 11 | -  | 13 | 14 | 15 | -  |          |         |                                      |                        |                       |                          |
| MX150 ASSY RCP 2X8 CPA BK A/12 | 334721888            | A-BLACK  | GCP         | PLR | CPA | M        | R         | -  | -  | -  | -  | -  | 6  | -  | -  | SALEABLE |         | N/A                                  | N/A                    | N/A                   | N/A                      |
|                                |                      |  |             |     |     |          |           | 9  | -  | -  | -  | -  | -  | 15 | 16 |          |         |                                      |                        |                       |                          |
| MX150 ASSY RCP 2X8 BK A/14     | 334721889            | A-BLACK  | GCP         | PLR |     | M        | R         | -  | -  | -  | -  | -  | -  | -  | -  | SALEABLE |         | N/A                                  | N/A                    | N/A                   | N/A                      |
|                                |                      |  |             |     |     |          |           | -  | -  | -  | -  | 13 | 14 | -  | -  |          |         |                                      |                        |                       |                          |
| MX150 ASSY RCP 2X8 CPA BK A/14 | 334721890            | A-BLACK  | GCP         | PLR | CPA | M        | R         | -  | -  | -  | -  | 5  | -  | -  | 8  | SALEABLE |         | N/A                                  | N/A                    | N/A                   | N/A                      |
|                                |                      |  |             |     |     |          |           | -  | -  | -  | -  | -  | -  | -  | -  |          |         |                                      |                        |                       |                          |
| MX150 ASSY RCP 2X8 CPA BK A/8  | 334721891            | A-BLACK  | GCP         | PLR | CPA | M        | R         | -  | -  | -  | -  | 5  | 6  | 7  | 8  | SALEABLE |         | N/A                                  | N/A                    | N/A                   | N/A                      |
|                                |                      |  |             |     |     |          |           | 9  | 10 | 11 | 12 | -  | -  | -  | -  |          |         |                                      |                        |                       |                          |
| MX150 ASSY RCP 2X8 BK A/7      | 334721894            | A-BLACK  | GCP         | PLR |     | M        | R         | -  | -  | -  | -  | 5  | 6  | 7  | 8  | SALEABLE |         | N/A                                  | N/A                    | N/A                   | N/A                      |
|                                |                      |  |             |     |     |          |           | -  | -  | -  | 12 | 13 | 14 | 15 | 16 |          |         |                                      |                        |                       |                          |
| MX150 ASSY RCP 2X8 BK A/9      | 334721895            | A-BLACK  | GCP         | PLR |     | M        | R         | 1  | 2  | 3  | -  | -  | -  | -  | -  | SALEABLE |         | N/A                                  | N/A                    | N/A                   | N/A                      |
|                                |                      |  |             |     |     |          |           | 9  | 10 | 11 | -  | 13 | -  | -  | -  |          |         |                                      |                        |                       |                          |
| MX150 ASSY RCP 2X8 BK A/13     | 334721896            | A-BLACK  | GCP         | PLR |     | M        | R         | 1  | 2  | -  | -  | 5  | -  | -  | -  | SALEABLE |         | N/A                                  | N/A                    | N/A                   | N/A                      |
|                                |                      |  |             |     |     |          |           | -  | -  | -  | -  | -  | -  | -  | -  |          |         |                                      |                        |                       |                          |
| MX150 ASSY RCP 2X8 BK A/13     | 334721897            | A-BLACK  | GCP         | PLR |     | M        | R         | -  | -  | -  | -  | 5  | -  | -  | -  | SALEABLE |         | N/A                                  | N/A                    | N/A                   | N/A                      |
|                                |                      |  |             |     |     |          |           | -  | -  | -  | -  | 13 | 14 | -  | -  |          |         |                                      |                        |                       |                          |
| MX150 ASSY RCP 2X8 BK A/11     | 334721898            | A-BLACK  | GCP         | PLR |     | M        | R         | 1  | 2  | -  | -  | 5  | -  | -  | -  | SALEABLE |         | N/A                                  | N/A                    | N/A                   | N/A                      |
|                                |                      |  |             |     |     |          |           | -  | -  | -  | -  | 13 | 14 | -  | -  |          |         |                                      |                        |                       |                          |
| MX150 ASSY RCP 2X8 BK A/7      | 334721899            | A-BLACK  | GCP         | PLR |     | M        | R         | -  | -  | -  | -  | 5  | -  | 7  | 8  | SALEABLE |         | N/A                                  | N/A                    | N/A                   | N/A                      |
|                                |                      |  |             |     |     |          |           | 9  | 10 | 11 | 12 | 13 | 14 | -  | -  |          |         |                                      |                        |                       |                          |
| MX150 ASSY RCP 2X8 BK A/5      | 334721900            | A-BLACK  | GCP         | PLR |     | M        | R         | 1  | 2  | -  | -  | 5  | -  | 7  | 8  | SALEABLE |         | N/A                                  | N/A                    | N/A                   | N/A                      |
|                                |                      |  |             |     |     |          |           | 9  | 10 | 11 | 12 | 13 | 14 | -  | -  |          |         |                                      |                        |                       |                          |
| MX150 ASSY RCP 2X8 BK A/13     | 334721901            | A-BLACK  | GCP         | PLR |     | M        | R         | -  | -  | -  | -  | -  | -  | -  | 8  | SALEABLE |         | N/A                                  | N/A                    | N/A                   | N/A                      |
|                                |                      |  |             |     |     |          |           | -  | 10 | 11 | -  | -  | -  | -  | -  |          |         |                                      |                        |                       |                          |
| MX150 ASSY RCP 2X8 BK A/15     | 334721902            | A-BLACK  | GCP         | PLR |     | M        | R         | -  | -  | 3  | -  | -  | -  | -  | -  | SALEABLE |         | N/A                                  | N/A                    | N/A                   | N/A                      |
|                                |                      |  |             |     |     |          |           | -  | -  | -  | -  | -  | -  | -  | -  |          |         |                                      |                        |                       |                          |
| MX150 ASSY RCP 2X8 BK A/7      | 334721903            | A-BLACK  | GCP         | PLR |     | M        | R         | -  | -  | 3  | -  | -  | -  | 7  | 8  | SALEABLE |         | N/A                                  | N/A                    | N/A                   | N/A                      |
|                                |                      |  |             |     |     |          |           | 9  | 10 | 11 | 12 | 13 | 14 | -  | -  |          |         |                                      |                        |                       |                          |
| MX150 ASSY RCP 2X8 BK A/11     | 334721904            | A-BLACK  | GCP         | PLR |     | M        | R         | -  | 2  | -  | -  | -  | -  | -  | 8  | SALEABLE |         | N/A                                  | N/A                    | N/A                   | N/A                      |
|                                |                      |  |             |     |     |          |           | -  | 10 | 11 | -  | -  | 14 | -  | -  |          |         |                                      |                        |                       |                          |
| MX150 ASSY RCP 2X8 BK A/9      | 334721905            | A-BLACK  | GCP         | PLR |     | M        | R         | 1  | -  | -  | -  | 5  | -  | -  | 8  | SALEABLE |         | N/A                                  | N/A                    | N/A                   | N/A                      |
|                                |                      |  |             |     |     |          |           | -  | 10 | 11 | -  | 13 | -  | 15 | -  |          |         |                                      |                        |                       |                          |
| MX150 ASSY RCP 2X8 BK A/11     | 334721906            | A-BLACK  | GCP         | PLR |     | M        | R         | -  | -  | -  | -  | -  | -  | -  | -  | SALEABLE |         | N/A                                  | N/A                    | N/A                   | N/A                      |
|                                |                      |  |             |     |     |          |           | -  | 10 | -  | -  | 13 | 14 | 15 | 16 |          |         |                                      |                        |                       |                          |
| MX150 ASSY RCP 2X8 BK A/8      | 334721907            | A-BLACK  | GCP         | PLR |     | M        | R         | 1  | -  | -  | 4  | 5  | 6  | -  | 8  | SALEABLE |         | N/A                                  | N/A                    | N/A                   | N/A                      |
|                                |                      |  |             |     |     |          |           | -  | -  | -  | 12 | 13 | 14 | -  | -  |          |         |                                      |                        |                       |                          |
| MX150 ASSY RCP 2X8 CPA BK A/12 | 334721908            | A-BLACK  | GCP         | PLR | CPA | M        | R         | -  | -  | -  | -  | -  | -  | -  | -  | SALEABLE |         | N/A                                  | N/A                    | N/A                   | N/A                      |
|                                |                      |  |             |     |     |          |           | -  | -  | 11 | 12 | 13 | 14 | -  | -  |          |         |                                      |                        |                       |                          |
| MX150 ASSY RCP 2X8 CPA BK A/10 | 334721909            | A-BLACK  | GCP         | PLR | CPA | M        | R         | 1  | -  | 3  | -  | 5  | 6  | -  | -  | SALEABLE |         | N/A                                  | N/A                    | N/A                   | N/A                      |
|                                |                      |  |             |     |     |          |           | -  | -  | -  | 12 | 13 | -  | -  | -  |          |         |                                      |                        |                       |                          |
| MX150 ASSY RCP 2X8 CPA BK A/12 | 334721910            | A-BLACK  | GCP         | PLR | CPA | M        | R         | -  | -  | -  | -  | -  | -  | 7  | 8  | SALEABLE |         | N/A                                  | N/A                    | N/A                   | N/A                      |
|                                |                      |  |             |     |     |          |           | 9  | -  | -  | -  | -  | -  | -  | 16 |          |         |                                      |                        |                       |                          |

| ASSEMBLY DESCRIPTION           | ASSEMBLY PART NUMBER | COMPONENT  |             |     |     |          |           | BLOCKED TERMINALS  |   |   |   |   |   |   |   | STATUS   | COMMENT | OPTIONAL ATTACHMENTS SOLD SEPARATELY |                        |                       |                          |
|--------------------------------|----------------------|--|-------------|-----|-----|----------|-----------|--|---|---|---|---|---|---|---|----------|---------|--------------------------------------|------------------------|-----------------------|--------------------------|
|                                |                      | THE PRESENCE OF AN ABBREVIATION INDICATES THE PRESENCE OF THAT COMPONENT |             |     |     |          |           | CAVITY WITH A NUMBER INDICATES BLOCKED TERMINAL POSITION<br>CAVITY WITHOUT A NUMBER INDICATES OPEN TERMINAL POSITION |   |   |   |   |   |   |   |          |         | BACKSHELL WITH RIBS                  | BACKSHELL WITHOUT RIBS | 90° ADAPTOR WITH RIBS | 90° ADAPTOR WITHOUT RIBS |
|                                |                      | HOUSING KEY/COLOR  | GROMMET CAP | PLR | CPA | MAT SEAL | RING SEAL | 1  | 2 | 3 | 4 | 5 | 6 | 7 | 8 |          |         |                                      |                        |                       |                          |
| MX150 ASSY RCP 2X8 BK A/5      | 334721911            | A-BLACK  | GCP         | PLR |     | M        | R         | -  | - | 3 | - | - | - | 7 | 8 | SALEABLE |         | N/A                                  | N/A                    | N/A                   | N/A                      |
| MX150 ASSY RCP 2X8 BK A/13     | 334721912            | A-BLACK  | GCP         | PLR |     | M        | R         | -  | - | 3 | - | - | - | - | - | SALEABLE |         | N/A                                  | N/A                    | N/A                   | N/A                      |
| MX150 ASSY RCP 2X8 BK A/7      | 334721913            | A-BLACK  | GCP         | PLR |     | M        | R         | -  | - | - | - | - | - | 7 | 8 | SALEABLE |         | N/A                                  | N/A                    | N/A                   | N/A                      |
| MX150 ASSY RCP 2X8 BK A/13     | 334721914            | A-BLACK  | GCP         | PLR |     | M        | R         | -  | - | - | - | - | - | - | - | SALEABLE |         | N/A                                  | N/A                    | N/A                   | N/A                      |
| MX150 ASSY RCP 2X8 BK A/11     | 334721916            | A-BLACK  | GCP         | PLR |     | M        | R         | 1  | - | - | - | 5 | - | - | - | SALEABLE |         | N/A                                  | N/A                    | N/A                   | N/A                      |
| MX150 ASSY RCP 2X8 BK A/15     | 334721917            | A-BLACK  | GCP         | PLR |     | M        | R         | -  | - | - | - | - | - | - | - | SALEABLE |         | N/A                                  | N/A                    | N/A                   | N/A                      |
| MX150 ASSY RCP 2X8 BK A/15     | 334721918            | A-BLACK  | GCP         | PLR |     | M        | R         | -  | - | - | - | - | - | - | - | SALEABLE |         | N/A                                  | N/A                    | N/A                   | N/A                      |
| MX150 ASSY RCP 2X8 CPA BK A/10 | 334721919            | A-BLACK  | GCP         | PLR | CPA | M        | R         | 1  | 2 | - | - | 5 | - | - | 8 | SALEABLE |         | N/A                                  | N/A                    | N/A                   | N/A                      |
| MX150 ASSY RCP 2X8 CPA BK A/4  | 334721920            | A-BLACK  | GCP         | PLR | CPA | M        | R         | 1  | 2 | - | - | 5 | 6 | 7 | 8 | SALEABLE |         | N/A                                  | N/A                    | N/A                   | N/A                      |
| MX150 ASSY RCP 2X8 BK A/13     | 334721921            | A-BLACK  | GCP         | PLR |     | M        | R         | -  | - | 3 | - | - | - | - | - | SALEABLE |         | N/A                                  | N/A                    | N/A                   | N/A                      |
| MX150 ASSY RCP 2X8 BK A/3      | 334721922            | A-BLACK  | GCP         | PLR |     | M        | R         | 1  | 2 | 3 | 4 | 5 | 6 | 7 | 8 | SALEABLE |         | N/A                                  | N/A                    | N/A                   | N/A                      |
| MX150 ASSY RCP 2X8 BK A/7      | 334721923            | A-BLACK  | GCP         | PLR |     | M        | R         | 1  | 2 | - | 4 | 5 | - | 7 | 8 | SALEABLE |         | N/A                                  | N/A                    | N/A                   | N/A                      |
| MX150 ASSY RCP 2X8 BK A/14     | 334721924            | A-BLACK  | GCP         | PLR |     | M        | R         | -  | - | - | - | - | - | - | 8 | SALEABLE |         | N/A                                  | N/A                    | N/A                   | N/A                      |
| MX150 ASSY RCP 2X8 BK A/14     | 334721925            | A-BLACK  | GCP         | PLR |     | M        | R         | -  | - | 3 | - | - | 6 | - | - | SALEABLE |         | N/A                                  | N/A                    | N/A                   | N/A                      |
| MX150 ASSY RCP 2X8 BK A/12     | 334721926            | A-BLACK  | GCP         | PLR |     | M        | R         | -  | - | 3 | - | - | 6 | - | - | SALEABLE |         | N/A                                  | N/A                    | N/A                   | N/A                      |
| MX150 ASSY RCP 2X8 BK A/8      | 334721927            | A-BLACK  | GCP         | PLR |     | M        | R         | -  | - | 3 | 4 | 5 | 6 | 7 | - | SALEABLE |         | N/A                                  | N/A                    | N/A                   | N/A                      |
| MX150 ASSY RCP 2X8 BK A/10     | 334721928            | A-BLACK  | GCP         | PLR |     | M        | R         | -  | - | - | - | - | 6 | 7 | 8 | SALEABLE |         | N/A                                  | N/A                    | N/A                   | N/A                      |
| MX150 ASSY RCP 2X8 BK A/8      | 334721929            | A-BLACK  | GCP         | PLR |     | M        | R         | -  | - | - | - | - | 6 | 7 | 8 | SALEABLE |         | N/A                                  | N/A                    | N/A                   | N/A                      |
| MX150 ASSY RCP 2X8 BK A/6      | 334721930            | A-BLACK  | GCP         | PLR |     | M        | R         | 1  | 2 | 3 | 4 | 5 | - | - | - | SALEABLE |         | N/A                                  | N/A                    | N/A                   | N/A                      |
| MX150 ASSY RCP 2X8 BK A/14     | 334721931            | A-BLACK  | GCP         | PLR |     | M        | R         | 1  | - | - | - | - | - | - | - | SALEABLE |         | N/A                                  | N/A                    | N/A                   | N/A                      |
| MX150 ASSY RCP 2X8 BK A/9      | 334721932            | A-BLACK  | GCP         | PLR |     | M        | R         | 1  | 2 | - | 4 | 5 | 6 | - | - | SALEABLE |         | N/A                                  | N/A                    | N/A                   | N/A                      |
| MX150 ASSY RCP 2X8 BK A/11     | 334721933            | A-BLACK  | GCP         | PLR |     | M        | R         | -  | - | - | - | - | - | - | 8 | SALEABLE |         | N/A                                  | N/A                    | N/A                   | N/A                      |
| MX150 ASSY RCP 2X8 BK A/10     | 334721934            | A-BLACK  | GCP         | PLR |     | M        | R         | -  | 2 | - | - | 5 | - | - | 8 | SALEABLE |         | N/A                                  | N/A                    | N/A                   | N/A                      |
| MX150 ASSY RCP 2X8 BK A/8      | 334721935            | A-BLACK  | GCP         | PLR |     | M        | R         | -  | 2 | - | - | 5 | - | - | 8 | SALEABLE |         | N/A                                  | N/A                    | N/A                   | N/A                      |
| MX150 ASSY RCP 2X8 CPA BK A/9  | 334721936            | A-BLACK  | GCP         | PLR | CPA | M        | R         | -  | 2 | - | 4 | - | 6 | - | - | SALEABLE |         | N/A                                  | N/A                    | N/A                   | N/A                      |
| MX150 ASSY RCP 2X8 CPA LG B/9  | 334721937            | B-LIGHT GRAY   | GCP         | PLR | CPA | M        | R         | -  | 2 | - | 4 | - | 6 | - | - | SALEABLE |         | N/A                                  | N/A                    | N/A                   | N/A                      |
| MX150 ASSY RCP 2X8 CPA BK A/11 | 334721938            | A-BLACK  | GCP         | PLR | CPA | M        | R         | -  | - | - | - | 5 | 6 | 7 | - | SALEABLE |         | N/A                                  | N/A                    | N/A                   | N/A                      |





| ASSEMBLY DESCRIPTION           | ASSEMBLY PART NUMBER | COMPONENT  |             |     |     |          |           | BLOCKED TERMINALS  |    |    |    |    |    |    |    | STATUS   | COMMENT | OPTIONAL ATTACHMENTS SOLD SEPARATELY |                        |                       |                          |
|--------------------------------|----------------------|--|-------------|-----|-----|----------|-----------|--|----|----|----|----|----|----|----|----------|---------|--------------------------------------|------------------------|-----------------------|--------------------------|
|                                |                      | THE PRESENCE OF AN ABBREVIATION INDICATES THE PRESENCE OF THAT COMPONENT |             |     |     |          |           | CAVITY WITH A NUMBER INDICATES BLOCKED TERMINAL POSITION<br>CAVITY WITHOUT A NUMBER INDICATES OPEN TERMINAL POSITION |    |    |    |    |    |    |    |          |         | BACKSHELL WITH RIBS                  | BACKSHELL WITHOUT RIBS | 90° ADAPTOR WITH RIBS | 90° ADAPTOR WITHOUT RIBS |
|                                |                      | HOUSING KEY/COLOR  | GROMMET CAP | PLR | CPA | MAT SEAL | RING SEAL | 1  | 2  | 3  | 4  | 5  | 6  | 7  | 8  |          |         |                                      |                        |                       |                          |
| MX150 ASSY RCP 2X8 CPA BK A/11 | 334721966            | A-BLACK  | GCP         | PLR | CPA | M        | R         | -  | -  | -  | -  | -  | 6  | 7  | 8  | SALEABLE |         | N/A                                  | N/A                    | N/A                   | N/A                      |
|                                |                      |  |             |     |     |          |           | -  | 10 | 11 | -  | -  | -  | -  | -  |          |         |                                      |                        |                       |                          |
| MX150 ASSY RCP 2X8 CPA BK A/13 | 334721967            | A-BLACK  | GCP         | PLR | CPA | M        | R         | -  | -  | -  | -  | -  | 6  | 7  | 8  | SALEABLE |         | N/A                                  | N/A                    | N/A                   | N/A                      |
|                                |                      |  |             |     |     |          |           | -  | -  | -  | -  | -  | -  | -  | -  |          |         |                                      |                        |                       |                          |
| MX150 ASSY RCP 2X8 BK A/8      | 334721968            | A-BLACK  | GCP         | PLR |     | M        | R         | 1  | 2  | -  | -  | -  | -  | -  | 8  | SALEABLE |         | N/A                                  | N/A                    | N/A                   | N/A                      |
|                                |                      |  |             |     |     |          |           | 9  | -  | 11 | -  | 13 | -  | 15 | 16 |          |         |                                      |                        |                       |                          |
| MX150 ASSY RCP 2X8 CPA BK A/11 | 334721969            | A-BLACK  | GCP         | PLR | CPA | M        | R         | -  | -  | -  | -  | -  | -  | -  | -  | SALEABLE |         | N/A                                  | N/A                    | N/A                   | N/A                      |
|                                |                      |  |             |     |     |          |           | -  | -  | 11 | 12 | 13 | 14 | 15 | -  |          |         |                                      |                        |                       |                          |
| MX150 ASSY RCP 2X8 BK A/9      | 334721970            | A-BLACK  | GCP         | PLR |     | M        | R         | -  | -  | -  | 4  | 5  | -  | -  | 8  | SALEABLE |         | N/A                                  | N/A                    | N/A                   | N/A                      |
|                                |                      |  |             |     |     |          |           | -  | -  | -  | -  | 13 | 14 | 15 | 16 |          |         |                                      |                        |                       |                          |
| MX150 ASSY RCP 2X8 BK A/8      | 334721971            | A-BLACK  | GCP         | PLR |     | M        | R         | 1  | 2  | 3  | 4  | 5  | 6  | 7  | 8  | SALEABLE |         | N/A                                  | N/A                    | N/A                   | N/A                      |
|                                |                      |  |             |     |     |          |           | -  | -  | -  | -  | -  | -  | -  | -  |          |         |                                      |                        |                       |                          |
| MX150 ASSY RCP 2X8 BK A/10     | 334721972            | A-BLACK  | GCP         | PLR |     | M        | R         | -  | 2  | -  | -  | -  | -  | -  | 8  | SALEABLE |         | N/A                                  | N/A                    | N/A                   | N/A                      |
|                                |                      |  |             |     |     |          |           | -  | 10 | 11 | -  | -  | -  | 15 | 16 |          |         |                                      |                        |                       |                          |
| MX150 ASSY RCP 2X8 BK A/4      | 334721973            | A-BLACK  | GCP         | PLR |     | M        | R         | 1  | 2  | 3  | 4  | 5  | 6  | 7  | 8  | SALEABLE |         | N/A                                  | N/A                    | N/A                   | N/A                      |
|                                |                      |  |             |     |     |          |           | 9  | -  | -  | 12 | 13 | 14 | -  | -  |          |         |                                      |                        |                       |                          |
| MX150 ASSY RCP 2X8 BK A/10     | 334721974            | A-BLACK  | GCP         | PLR |     | M        | R         | -  | 2  | -  | -  | -  | -  | -  | 8  | SALEABLE |         | N/A                                  | N/A                    | N/A                   | N/A                      |
|                                |                      |  |             |     |     |          |           | 9  | -  | -  | 12 | 13 | 14 | -  | -  |          |         |                                      |                        |                       |                          |
| MX150 ASSY RCP 2X8 BK A/12     | 334721975            | A-BLACK  | GCP         | PLR |     | M        | R         | -  | -  | -  | -  | -  | -  | -  | -  | SALEABLE |         | N/A                                  | N/A                    | N/A                   | N/A                      |
|                                |                      |  |             |     |     |          |           | 9  | -  | -  | 12 | 13 | 14 | -  | -  |          |         |                                      |                        |                       |                          |
| MX150 ASSY RCP 2X8 BK A/6      | 334721976            | A-BLACK  | GCP         | PLR |     | M        | R         | -  | 2  | -  | -  | -  | -  | -  | 8  | SALEABLE |         | N/A                                  | N/A                    | N/A                   | N/A                      |
|                                |                      |  |             |     |     |          |           | 9  | 10 | 11 | 12 | 13 | 14 | 15 | 16 |          |         |                                      |                        |                       |                          |
| MX150 ASSY RCP 2X8 BK A/15     | 334721977            | A-BLACK  | GCP         | PLR |     | M        | R         | -  | -  | -  | -  | -  | -  | -  | -  | SALEABLE |         | N/A                                  | N/A                    | N/A                   | N/A                      |
|                                |                      |  |             |     |     |          |           | 9  | -  | -  | -  | -  | -  | -  | -  |          |         |                                      |                        |                       |                          |
| MX150 ASSY RCP 2X8 BK A/15     | 334721978            | A-BLACK  | GCP         | PLR |     | M        | R         | -  | -  | -  | -  | -  | -  | -  | -  | SALEABLE |         | N/A                                  | N/A                    | N/A                   | N/A                      |
|                                |                      |  |             |     |     |          |           | -  | -  | -  | -  | -  | -  | 15 | -  |          |         |                                      |                        |                       |                          |
| MX150 ASSY RCP 2X8 BK A/13     | 334721979            | A-BLACK  | GCP         | PLR |     | M        | R         | -  | -  | -  | -  | -  | -  | -  | -  | SALEABLE |         | N/A                                  | N/A                    | N/A                   | N/A                      |
|                                |                      |  |             |     |     |          |           | -  | -  | 11 | 12 | -  | -  | 15 | -  |          |         |                                      |                        |                       |                          |
| MX150 ASSY RCP 2X8 BK A/5      | 334721980            | A-BLACK  | GCP         | PLR |     | M        | R         | 1  | -  | -  | 4  | -  | 6  | 7  | 8  | SALEABLE |         | N/A                                  | N/A                    | N/A                   | N/A                      |
|                                |                      |  |             |     |     |          |           | -  | 10 | 11 | 12 | 13 | 14 | 15 | -  |          |         |                                      |                        |                       |                          |
| MX150 ASSY RCP 2X8 BK A/12     | 334721981            | A-BLACK  | GCP         | PLR |     | M        | R         | -  | -  | 3  | 4  | 5  | -  | -  | -  | SALEABLE |         | N/A                                  | N/A                    | N/A                   | N/A                      |
|                                |                      |  |             |     |     |          |           | -  | 10 | -  | -  | -  | -  | -  | -  |          |         |                                      |                        |                       |                          |
| MX150 ASSY RCP 2X8 BK A/13     | 334721982            | A-BLACK  | GCP         | PLR |     | M        | R         | -  | -  | -  | -  | -  | -  | -  | -  | SALEABLE |         | N/A                                  | N/A                    | N/A                   | N/A                      |
|                                |                      |  |             |     |     |          |           | -  | 10 | 11 | -  | -  | -  | 15 | -  |          |         |                                      |                        |                       |                          |
| MX150 ASSY RCP 2X8 BK A/11     | 334721983            | A-BLACK  | GCP         | PLR |     | M        | R         | 1  | -  | -  | -  | -  | -  | -  | 8  | SALEABLE |         | N/A                                  | N/A                    | N/A                   | N/A                      |
|                                |                      |  |             |     |     |          |           | -  | 10 | 11 | -  | -  | -  | 15 | -  |          |         |                                      |                        |                       |                          |
| MX150 ASSY RCP 2X8 BK A/5      | 334721984            | A-BLACK  | GCP         | PLR |     | M        | R         | 1  | 2  | 3  | 4  | 5  | 6  | 7  | 8  | SALEABLE |         | N/A                                  | N/A                    | N/A                   | N/A                      |
|                                |                      |  |             |     |     |          |           | -  | 10 | 11 | -  | -  | -  | 15 | -  |          |         |                                      |                        |                       |                          |
| MX150 ASSY RCP 2X8 BK A/9      | 334721985            | A-BLACK  | GCP         | PLR |     | M        | R         | 1  | -  | -  | -  | -  | -  | -  | 8  | SALEABLE |         | N/A                                  | N/A                    | N/A                   | N/A                      |
|                                |                      |  |             |     |     |          |           | 9  | 10 | 11 | -  | -  | -  | 15 | 16 |          |         |                                      |                        |                       |                          |
| MX150 ASSY RCP 2X8 BK A/11     | 334721986            | A-BLACK  | GCP         | PLR |     | M        | R         | -  | -  | -  | -  | -  | -  | -  | -  | SALEABLE |         | N/A                                  | N/A                    | N/A                   | N/A                      |
|                                |                      |  |             |     |     |          |           | 9  | 10 | 11 | -  | -  | -  | 15 | 16 |          |         |                                      |                        |                       |                          |
| MX150 ASSY RCP 2X8 BK A/4      | 334721987            | A-BLACK  | GCP         | PLR |     | M        | R         | 1  | 2  | 3  | -  | 5  | 6  | 7  | -  | SALEABLE |         | N/A                                  | N/A                    | N/A                   | N/A                      |
|                                |                      |  |             |     |     |          |           | 9  | -  | 11 | -  | 13 | 14 | 15 | 16 |          |         |                                      |                        |                       |                          |
| MX150 ASSY RCP 2X8 BK A/6      | 334721988            | A-BLACK  | GCP         | PLR |     | M        | R         | -  | 2  | -  | -  | -  | 6  | 7  | -  | SALEABLE |         | N/A                                  | N/A                    | N/A                   | N/A                      |
|                                |                      |  |             |     |     |          |           | 9  | 10 | 11 | -  | 13 | 14 | 15 | 16 |          |         |                                      |                        |                       |                          |
| MX150 ASSY RCP 2X8 BK A/14     | 334721989            | A-BLACK  | GCP         | PLR |     | M        | R         | -  | -  | -  | -  | -  | -  | -  | -  | SALEABLE |         | N/A                                  | N/A                    | N/A                   | N/A                      |
|                                |                      |  |             |     |     |          |           | -  | -  | -  | -  | 13 | -  | -  | 16 |          |         |                                      |                        |                       |                          |
| MX150 ASSY RCP 2X8 BK A/12     | 334721990            | A-BLACK  | GCP         | PLR |     | M        | R         | -  | -  | -  | -  | -  | -  | -  | -  | SALEABLE |         | N/A                                  | N/A                    | N/A                   | N/A                      |
|                                |                      |  |             |     |     |          |           | -  | -  | 11 | 12 | 13 | -  | -  | 16 |          |         |                                      |                        |                       |                          |
| MX150 ASSY RCP 2X8 BK A/15     | 334721991            | A-BLACK  | GCP         | PLR |     | M        | R         | 1  | -  | -  | -  | -  | -  | -  | -  | SALEABLE |         | N/A                                  | N/A                    | N/A                   | N/A                      |
|                                |                      |  |             |     |     |          |           | -  | -  | -  | -  | -  | -  | -  | -  |          |         |                                      |                        |                       |                          |
| MX150 ASSY RCP 2X8 BK A/11     | 334721992            | A-BLACK  | GCP         | PLR |     | M        | R         | -  | -  | -  | -  | -  | 6  | -  | -  | SALEABLE |         | N/A                                  | N/A                    | N/A                   | N/A                      |
|                                |                      |  |             |     |     |          |           | -  | -  | 11 | 12 | 13 | 14 | -  | -  |          |         |                                      |                        |                       |                          |

| ASSEMBLY DESCRIPTION              | ASSEMBLY PART NUMBER | COMPONENT  |             |     |     |          |           | BLOCKED TERMINALS  |   |   |   |   |   |   |   | STATUS | COMMENT | OPTIONAL ATTACHMENTS SOLD SEPARATELY |                        |                       |                          |    |    |          |          |            |            |            |            |            |
|-----------------------------------|----------------------|--|-------------|-----|-----|----------|-----------|--|---|---|---|---|---|---|---|--------|---------|--------------------------------------|------------------------|-----------------------|--------------------------|----|----|----------|----------|------------|------------|------------|------------|------------|
|                                   |                      | THE PRESENCE OF AN ABBREVIATION INDICATES THE PRESENCE OF THAT COMPONENT |             |     |     |          |           | CAVITY WITH A NUMBER INDICATES BLOCKED TERMINAL POSITION<br>CAVITY WITHOUT A NUMBER INDICATES OPEN TERMINAL POSITION |   |   |   |   |   |   |   |        |         | BACKSHELL WITH RIBS                  | BACKSHELL WITHOUT RIBS | 90° ADAPTOR WITH RIBS | 90° ADAPTOR WITHOUT RIBS |    |    |          |          |            |            |            |            |            |
|                                   |                      | HOUSING KEY/COLOR  | GROMMET CAP | PLR | CPA | MAT SEAL | RING SEAL | 1  | 2 | 3 | 4 | 5 | 6 | 7 | 8 |        |         |                                      |                        |                       |                          | 9  | 10 | 11       | 12       | 13         | 14         | 15         | 16         |            |
| MX150 ASSY RCP 2X8 BK A/9         | 334721993            | A-BLACK  | GCP         | PLR |     | M        | R         | -  | - | 3 | 4 | 5 | 6 | 7 | - | 9      | -       | -                                    | -                      | -                     | -                        | -  | 16 | SALEABLE |          | N/A        | N/A        | N/A        | N/A        |            |
| MX150 ASSY RCP 2X8 BK A/6         | 334721994            | A-BLACK  | GCP         | PLR |     | M        | R         | -  | 2 | - | 4 | 5 | 6 | - | - | 9      | 10      | -                                    | 12                     | 13                    | 14                       | -  | 16 | SALEABLE |          | N/A        | N/A        | N/A        | N/A        |            |
| MX150 ASSY RCP 2X8 BK A/5         | 334721995            | A-BLACK  | GCP         | PLR |     | M        | R         | -  | 2 | - | 4 | 5 | 6 | 7 | - | 9      | 10      | -                                    | 12                     | 13                    | 14                       | -  | 16 | SALEABLE |          | N/A        | N/A        | N/A        | N/A        |            |
| MX150 ASSY RCP 2X8 BK A/6         | 334721996            | A-BLACK  | GCP         | PLR |     | M        | R         | 1  | 2 | - | - | - | 6 | 7 | 8 | 9      | 10      | -                                    | -                      | -                     | 14                       | 15 | 16 | SALEABLE |          | N/A        | N/A        | N/A        | N/A        |            |
| MX150 ASSY RCP 2X8 BK A/8         | 334721997            | A-BLACK  | GCP         | PLR |     | M        | R         | 1  | 2 | - | - | - | - | 7 | 8 | 9      | 10      | -                                    | -                      | -                     | -                        | 15 | 16 | SALEABLE |          | N/A        | N/A        | N/A        | N/A        |            |
| MX150 ASSY RCP 2X8 BK A/4         | 334721998            | A-BLACK  | GCP         | PLR |     | M        | R         | -  | - | 3 | 4 | 5 | 6 | 7 | 8 | -      | -       | 11                                   | 12                     | 13                    | 14                       | 15 | 16 | SALEABLE |          | N/A        | N/A        | N/A        | N/A        |            |
| MX150 ASSY RCP 2X8 BK A/12        | 334721999            | A-BLACK  | GCP         | PLR |     | M        | R         | -  | - | - | - | - | - | 7 | 8 | -      | -       | -                                    | -                      | -                     | -                        | 15 | 16 | SALEABLE |          | N/A        | N/A        | N/A        | N/A        |            |
| MX150 ASSY RCP 2X8 CS BK A/16     | 334723001            | A-BLACK-CLIP   | GCO         | PLR |     | M        | R         | -  | - | - | - | - | - | - | - | -      | -       | -                                    | -                      | -                     | -                        | -  | -  | SALEABLE |          | 34951-1611 | 34951-1621 | 34951-1631 | 34951-1641 |            |
| MX150 ASSY RCP 2X8 CS LG B/16     | 334723002            | B-LIGHT GRAY-CLIP  | GCO         | PLR |     | M        | R         | -  | - | - | - | - | - | - | - | -      | -       | -                                    | -                      | -                     | -                        | -  | -  | SALEABLE |          | 34951-1611 | 34951-1621 | 34951-1631 | 34951-1641 |            |
| MX150 ASSY RCP 2X8 CS DG C/16     | 334723003            | C-DARK GRAY-CLIP   | GCO         | PLR |     | M        | R         | -  | - | - | - | - | - | - | - | -      | -       | -                                    | -                      | -                     | -                        | -  | -  | SALEABLE |          | 34951-1611 | 34951-1621 | 34951-1631 | 34951-1641 |            |
| MX150 ASSY RCP 2X8 CS SG D/16     | 334723004            | D-STONE GRAY-CLIP  | GCO         | PLR |     | M        | R         | -  | - | - | - | - | - | - | - | -      | -       | -                                    | -                      | -                     | -                        | -  | -  | SALEABLE |          | 34951-1611 | 34951-1621 | 34951-1631 | 34951-1641 |            |
| MX150 ASSY RCP 2X8 CS CPA BK A/16 | 334723005            | A-BLACK-CLIP   | GCO         | PLR | CPA | M        | R         | -  | - | - | - | - | - | - | - | -      | -       | -                                    | -                      | -                     | -                        | -  | -  | SALEABLE |          | 34951-1611 | 34951-1621 | 34951-1631 | 34951-1641 |            |
| MX150 ASSY RCP 2X8 CS CPA LG B/16 | 334723006            | B-LIGHT GRAY-CLIP  | GCO         | PLR | CPA | M        | R         | -  | - | - | - | - | - | - | - | -      | -       | -                                    | -                      | -                     | -                        | -  | -  | SALEABLE |          | 34951-1611 | 34951-1621 | 34951-1631 | 34951-1641 |            |
| MX150 ASSY RCP 2X8 CS CPA DG C/16 | 334723007            | C-DARK GRAY-CLIP   | GCO         | PLR | CPA | M        | R         | -  | - | - | - | - | - | - | - | -      | -       | -                                    | -                      | -                     | -                        | -  | -  | SALEABLE |          | 34951-1611 | 34951-1621 | 34951-1631 | 34951-1641 |            |
| MX150 ASSY RCP 2X8 CS CPA SG D/16 | 334723008            | D-STONE GRAY-CLIP  | GCO         | PLR | CPA | M        | R         | -  | - | - | - | - | - | - | - | -      | -       | -                                    | -                      | -                     | -                        | -  | -  | SALEABLE |          | 34951-1611 | 34951-1621 | 34951-1631 | 34951-1641 |            |
| MX150 ASSY RCP 2X8 CS BK A/13     | 334723009            | A-BLACK-CLIP   | GCP         | PLR |     | M        | R         | -  | - | - | - | - | - | - | - | -      | -       | -                                    | -                      | -                     | -                        | -  | -  | SALEABLE |          | 34951-1611 | 34951-1621 | 34951-1631 | 34951-1641 |            |
| MX150 ASSY RCP 2X8 CS BK A/9      | 334723010            | A-BLACK-CLIP   | GCP         | PLR |     | M        | R         | -  | - | 3 | 4 | - | - | 7 | 8 | 9      | -       | -                                    | -                      | -                     | -                        | 14 | 15 | 16       | SALEABLE |            | 34951-1611 | 34951-1621 | 34951-1631 | 34951-1641 |
| MX150 ASSY RCP 2X8 CS CPA BK A/11 | 334723011            | A-BLACK-CLIP   | GCP         | PLR | CPA | M        | R         | -  | - | 3 | 4 | - | - | - | - | -      | -       | -                                    | -                      | -                     | -                        | 14 | 15 | 16       | SALEABLE |            | 34951-1611 | 34951-1621 | 34951-1631 | 34951-1641 |
| MX150 ASSY RCP 2X8 CS BK A/10     | 334723012            | A-BLACK-CLIP   | GCP         | PLR |     | M        | R         | 1  | - | - | - | 5 | - | - | 8 | 9      | 10      | -                                    | -                      | -                     | -                        | -  | -  | SALEABLE |          | 34951-1611 | 34951-1621 | 34951-1631 | 34951-1641 |            |
| MX150 ASSY RCP 2X8 CPA BK A/3     | 334728001            | A-BLACK  | GCP         | PLR | CPA | M        | R         | 1  | 2 | 3 | 4 | 5 | 6 | - | - | -      | 10      | 11                                   | 12                     | 13                    | 14                       | 15 | 16 | SALEABLE |          | N/A        | N/A        | N/A        | N/A        |            |
| MX150 ASSY RCP 2X8 CPA BK A/11    | 334728002            | A-BLACK  | GCP         | PLR | CPA | M        | R         | -  | - | - | - | - | - | - | - | -      | -       | -                                    | -                      | -                     | -                        | -  | -  | SALEABLE |          | N/A        | N/A        | N/A        | N/A        |            |
| MX150 ASSY RCP 2X8 CPA BK A/8     | 334728003            | A-BLACK  | GCP         | PLR | CPA | M        | R         | 1  | 2 | 3 | 4 | 5 | 6 | - | - | -      | 10      | -                                    | -                      | -                     | -                        | -  | -  | SALEABLE |          | N/A        | N/A        | N/A        | N/A        |            |
| MX150 ASSY RCP 2X8 BK A/10        | 334728004            | A-BLACK  | GCP         | PLR |     | M        | R         | -  | 2 | - | - | 5 | - | 7 | - | 9      | -       | 11                                   | -                      | -                     | -                        | -  | 16 | SALEABLE |          | N/A        | N/A        | N/A        | N/A        |            |
| MX150 ASSY RCP 2X8 BK A/6         | 334728005            | A-BLACK  | GCP         | PLR |     | M        | R         | 1  | 2 | 3 | 4 | 5 | 6 | 7 | 8 | -      | -       | 11                                   | -                      | -                     | -                        | -  | 16 | SALEABLE |          | N/A        | N/A        | N/A        | N/A        |            |
| MX150 ASSY RCP 2X8 BK A/9         | 334728006            | A-BLACK  | GCP         | PLR |     | M        | R         | 1  | - | - | 4 | 5 | 6 | 7 | 8 | -      | -       | 11                                   | -                      | -                     | -                        | -  | -  | SALEABLE |          | N/A        | N/A        | N/A        | N/A        |            |
| MX150 ASSY RCP 2X8 BK A/11        | 334728007            | A-BLACK  | GCP         | PLR |     | M        | R         | 1  | - | - | 4 | 5 | 6 | 7 | - | -      | -       | -                                    | -                      | -                     | -                        | -  | -  | SALEABLE |          | N/A        | N/A        | N/A        | N/A        |            |
| MX150 ASSY RCP 2X8 CPA BK A/8     | 334728008            | A-BLACK  | GCP         | PLR | CPA | M        | R         | 1  | 2 | 3 | 4 | 5 | 6 | - | - | -      | -       | -                                    | -                      | -                     | -                        | -  | -  | SALEABLE |          | N/A        | N/A        | N/A        | N/A        |            |

| ASSEMBLY DESCRIPTION           | ASSEMBLY PART NUMBER | COMPONENT  |             |     |     |          |           | BLOCKED TERMINALS  |    |    |    |    |    |    |    | STATUS   | COMMENT | OPTIONAL ATTACHMENTS SOLD SEPARATELY |                        |                       |                          |
|--------------------------------|----------------------|--|-------------|-----|-----|----------|-----------|--|----|----|----|----|----|----|----|----------|---------|--------------------------------------|------------------------|-----------------------|--------------------------|
|                                |                      | THE PRESENCE OF AN ABBREVIATION INDICATES THE PRESENCE OF THAT COMPONENT |             |     |     |          |           | CAVITY WITH A NUMBER INDICATES BLOCKED TERMINAL POSITION<br>CAVITY WITHOUT A NUMBER INDICATES OPEN TERMINAL POSITION |    |    |    |    |    |    |    |          |         | BACKSHELL WITH RIBS                  | BACKSHELL WITHOUT RIBS | 90° ADAPTOR WITH RIBS | 90° ADAPTOR WITHOUT RIBS |
|                                |                      | HOUSING KEY/COLOR  | GROMMET CAP | PLR | CPA | MAT SEAL | RING SEAL | 1  | 2  | 3  | 4  | 5  | 6  | 7  | 8  |          |         |                                      |                        |                       |                          |
| MX150 ASSY RCP 2X8 CPA BK A/11 | 334728009            | A-BLACK  | GCP         | PLR | CPA | M        | R         | -  | -  | -  | -  | -  | -  | 7  | 8  | SALEABLE |         | N/A                                  | N/A                    | N/A                   | N/A                      |
|                                |                      |  |             |     |     |          |           | -  | -  | -  | -  | -  | 14 | 15 | 16 |          |         |                                      |                        |                       |                          |
| MX150 ASSY RCP 2X8 CPA BK A/3  | 334728010            | A-BLACK  | GCP         | PLR | CPA | M        | R         | 1  | 2  | 3  | 4  | 5  | 6  | 7  | 8  | SALEABLE |         | N/A                                  | N/A                    | N/A                   | N/A                      |
|                                |                      |  |             |     |     |          |           | -  | -  | -  | 12 | 13 | 14 | 15 | 16 |          |         |                                      |                        |                       |                          |
| MX150 ASSY RCP 2X8 CPA BK A/13 | 334728011            | A-BLACK  | GCP         | PLR | CPA | M        | R         | -  | -  | -  | 4  | -  | -  | -  | -  | SALEABLE |         | N/A                                  | N/A                    | N/A                   | N/A                      |
|                                |                      |  |             |     |     |          |           | 9  | -  | -  | 12 | -  | -  | -  | -  |          |         |                                      |                        |                       |                          |
| MX150 ASSY RCP 2X8 CPA BK A/12 | 334728012            | A-BLACK  | GCP         | PLR | CPA | M        | R         | -  | -  | -  | 4  | -  | -  | -  | -  | SALEABLE |         | N/A                                  | N/A                    | N/A                   | N/A                      |
|                                |                      |  |             |     |     |          |           | 9  | 10 | -  | 12 | -  | -  | -  | -  |          |         |                                      |                        |                       |                          |
| MX150 ASSY RCP 2X8 CPA BK A/8  | 334728013            | A-BLACK  | GCP         | PLR | CPA | M        | R         | 1  | 2  | -  | 4  | -  | 6  | 7  | 8  | SALEABLE |         | N/A                                  | N/A                    | N/A                   | N/A                      |
|                                |                      |  |             |     |     |          |           | 9  | -  | -  | 12 | -  | -  | -  | -  |          |         |                                      |                        |                       |                          |
| MX150 ASSY RCP 2X8 CPA BK A/10 | 334728014            | A-BLACK  | GCP         | PLR | CPA | M        | R         | -  | -  | 3  | 4  | -  | -  | -  | -  | SALEABLE |         | N/A                                  | N/A                    | N/A                   | N/A                      |
|                                |                      |  |             |     |     |          |           | 9  | 10 | -  | -  | 13 | 14 | -  | -  |          |         |                                      |                        |                       |                          |
| MX150 ASSY RCP 2X8 BK A/13     | 334728015            | A-BLACK  | GCP         | PLR |     | M        | R         | 1  | -  | -  | -  | -  | -  | -  | 8  | SALEABLE |         | N/A                                  | N/A                    | N/A                   | N/A                      |
|                                |                      |  |             |     |     |          |           | -  | -  | 11 | -  | -  | -  | -  | -  |          |         |                                      |                        |                       |                          |
| MX150 ASSY RCP 2X8 BK A/11     | 334728016            | A-BLACK  | GCP         | PLR |     | M        | R         | -  | -  | -  | -  | -  | -  | -  | -  | SALEABLE |         | N/A                                  | N/A                    | N/A                   | N/A                      |
|                                |                      |  |             |     |     |          |           | -  | 10 | 11 | 12 | 13 | -  | -  | 16 |          |         |                                      |                        |                       |                          |
| MX150 ASSY RCP 2X8 BK A/5      | 334728017            | A-BLACK  | GCP         | PLR |     | M        | R         | 1  | 2  | -  | 4  | 5  | 6  | 7  | 8  | SALEABLE |         | N/A                                  | N/A                    | N/A                   | N/A                      |
|                                |                      |  |             |     |     |          |           | -  | 10 | -  | -  | -  | 14 | 15 | 16 |          |         |                                      |                        |                       |                          |
| MX150 ASSY RCP 2X8 BK A/10     | 334728018            | A-BLACK  | GCP         | PLR |     | M        | R         | 1  | -  | -  | -  | 5  | 6  | -  | -  | SALEABLE |         | N/A                                  | N/A                    | N/A                   | N/A                      |
|                                |                      |  |             |     |     |          |           | -  | 10 | -  | -  | 13 | 14 | -  | -  |          |         |                                      |                        |                       |                          |
| MX150 ASSY RCP 2X8 BK A/7      | 334728019            | A-BLACK  | GCP         | PLR |     | M        | R         | -  | -  | -  | 4  | 5  | -  | 7  | 8  | SALEABLE |         | N/A                                  | N/A                    | N/A                   | N/A                      |
|                                |                      |  |             |     |     |          |           | -  | -  | 11 | 12 | 13 | 14 | 15 | -  |          |         |                                      |                        |                       |                          |
| MX150 ASSY RCP 2X8 BK A/10     | 334728020            | A-BLACK  | GCP         | PLR |     | M        | R         | -  | -  | -  | -  | -  | -  | 7  | 8  | SALEABLE |         | N/A                                  | N/A                    | N/A                   | N/A                      |
|                                |                      |  |             |     |     |          |           | 9  | -  | -  | -  | -  | 14 | 15 | 16 |          |         |                                      |                        |                       |                          |
| MX150 ASSY RCP 2X8 CPA BK A/15 | 334728021            | A-BLACK  | GCP         | PLR | CPA | M        | R         | -  | -  | -  | -  | -  | -  | -  | -  | SALEABLE |         | N/A                                  | N/A                    | N/A                   | N/A                      |
|                                |                      |  |             |     |     |          |           | -  | -  | -  | -  | -  | -  | -  | 16 |          |         |                                      |                        |                       |                          |
| MX150 ASSY RCP 2X8 CPA BK A/9  | 334728022            | A-BLACK  | GCP         | PLR | CPA | M        | R         | -  | -  | -  | -  | -  | -  | -  | -  | SALEABLE |         | N/A                                  | N/A                    | N/A                   | N/A                      |
|                                |                      |  |             |     |     |          |           | -  | 10 | 11 | 12 | 13 | 14 | 15 | 16 |          |         |                                      |                        |                       |                          |
| MX150 ASSY RCP 2X8 CPA BK A/11 | 334728023            | A-BLACK  | GCP         | PLR | CPA | M        | R         | -  | -  | -  | -  | -  | -  | -  | -  | SALEABLE |         | N/A                                  | N/A                    | N/A                   | N/A                      |
|                                |                      |  |             |     |     |          |           | -  | 10 | 11 | 12 | 13 | -  | -  | 16 |          |         |                                      |                        |                       |                          |
| MX150 ASSY RCP 2X8 CPA BK A/6  | 334728025            | A-BLACK  | GCP         | PLR | CPA | M        | R         | -  | -  | -  | -  | -  | -  | 7  | 8  | SALEABLE |         | N/A                                  | N/A                    | N/A                   | N/A                      |
|                                |                      |  |             |     |     |          |           | 9  | 10 | 11 | 12 | 13 | 14 | 15 | 16 |          |         |                                      |                        |                       |                          |
| MX150 ASSY RCP 2X8 CPA BK A/10 | 334728026            | A-BLACK  | GCP         | PLR | CPA | M        | R         | -  | -  | -  | -  | -  | -  | -  | -  | SALEABLE |         | N/A                                  | N/A                    | N/A                   | N/A                      |
|                                |                      |  |             |     |     |          |           | -  | -  | 11 | 12 | 13 | 14 | 15 | 16 |          |         |                                      |                        |                       |                          |
| MX150 ASSY RCP 2X8 CPA BK A/12 | 334728027            | A-BLACK  | GCP         | PLR | CPA | M        | R         | -  | -  | -  | -  | -  | -  | -  | -  | SALEABLE |         | N/A                                  | N/A                    | N/A                   | N/A                      |
|                                |                      |  |             |     |     |          |           | -  | -  | -  | -  | 13 | 14 | 15 | 16 |          |         |                                      |                        |                       |                          |
| MX150 ASSY RCP 2X8 CPA BK A/4  | 334728028            | A-BLACK  | GCP         | PLR | CPA | M        | R         | 1  | 2  | 3  | 4  | 5  | 6  | -  | -  | SALEABLE |         | N/A                                  | N/A                    | N/A                   | N/A                      |
|                                |                      |  |             |     |     |          |           | -  | -  | 11 | 12 | 13 | 14 | 15 | 16 |          |         |                                      |                        |                       |                          |
| MX150 ASSY RCP 2X8 BK A/8      | 334728029            | A-BLACK  | GCP         | PLR |     | M        | R         | 1  | 2  | -  | 4  | -  | 6  | 7  | 8  | SALEABLE |         | N/A                                  | N/A                    | N/A                   | N/A                      |
|                                |                      |  |             |     |     |          |           | -  | -  | 11 | 12 | -  | -  | -  | -  |          |         |                                      |                        |                       |                          |
| MX150 ASSY RCP 2X8 BK A/9      | 334728030            | A-BLACK  | GCP         | PLR |     | M        | R         | -  | 2  | -  | 4  | -  | 6  | 7  | 8  | SALEABLE |         | N/A                                  | N/A                    | N/A                   | N/A                      |
|                                |                      |  |             |     |     |          |           | -  | -  | -  | 12 | -  | -  | -  | 16 |          |         |                                      |                        |                       |                          |
| MX150 ASSY RCP 2X8 BK A/8      | 334728031            | A-BLACK  | GCP         | PLR |     | M        | R         | -  | -  | 3  | -  | -  | -  | -  | 8  | SALEABLE |         | N/A                                  | N/A                    | N/A                   | N/A                      |
|                                |                      |  |             |     |     |          |           | -  | -  | 11 | 12 | 13 | 14 | 15 | 16 |          |         |                                      |                        |                       |                          |
| MX150 ASSY RCP 2X8 BK A/2      | 334728032            | A-BLACK  | GCP         | PLR |     | M        | R         | 1  | 2  | 3  | 4  | 5  | 6  | 7  | 8  | SALEABLE |         | N/A                                  | N/A                    | N/A                   | N/A                      |
|                                |                      |  |             |     |     |          |           | -  | 10 | 11 | 12 | 13 | 14 | 15 | -  |          |         |                                      |                        |                       |                          |
| MX150 ASSY RCP 2X8 CPA BK A/8  | 334728033            | A-BLACK  | GCP         | PLR | CPA | M        | R         | -  | -  | -  | -  | -  | -  | 7  | 8  | SALEABLE |         | N/A                                  | N/A                    | N/A                   | N/A                      |
|                                |                      |  |             |     |     |          |           | 9  | 10 | -  | -  | 13 | 14 | 15 | 16 |          |         |                                      |                        |                       |                          |
| MX150 ASSY RCP 2X8 BK A/3      | 334728034            | A-BLACK  | GCP         | PLR |     | M        | R         | 1  | 2  | 3  | 4  | 5  | 6  | 7  | 8  | SALEABLE |         | N/A                                  | N/A                    | N/A                   | N/A                      |
|                                |                      |  |             |     |     |          |           | 9  | 10 | 11 | -  | -  | -  | 15 | 16 |          |         |                                      |                        |                       |                          |
| MX150 ASSY RCP 2X8 BK A/10     | 334728035            | A-BLACK  | GCP         | PLR |     | M        | R         | -  | -  | 3  | -  | 5  | -  | -  | 8  | SALEABLE |         | N/A                                  | N/A                    | N/A                   | N/A                      |
|                                |                      |  |             |     |     |          |           | -  | 10 | 11 | -  | -  | 14 | -  | -  |          |         |                                      |                        |                       |                          |
| MX150 ASSY RCP 2X8 BK A/12     | 334728036            | A-BLACK  | GCP         | PLR |     | M        | R         | -  | -  | -  | -  | -  | -  | -  | -  | SALEABLE |         | N/A                                  | N/A                    | N/A                   | N/A                      |
|                                |                      |  |             |     |     |          |           | -  | 10 | 11 | -  | 13 | -  | -  | 16 |          |         |                                      |                        |                       |                          |

| ASSEMBLY DESCRIPTION           | ASSEMBLY PART NUMBER | COMPONENT  |             |     |     |          |           | BLOCKED TERMINALS  |    |    |    |    |    |    |    | STATUS   | COMMENT | OPTIONAL ATTACHMENTS SOLD SEPARATELY |                        |                       |                          |
|--------------------------------|----------------------|--|-------------|-----|-----|----------|-----------|--|----|----|----|----|----|----|----|----------|---------|--------------------------------------|------------------------|-----------------------|--------------------------|
|                                |                      | THE PRESENCE OF AN ABBREVIATION INDICATES THE PRESENCE OF THAT COMPONENT |             |     |     |          |           | CAVITY WITH A NUMBER INDICATES BLOCKED TERMINAL POSITION<br>CAVITY WITHOUT A NUMBER INDICATES OPEN TERMINAL POSITION |    |    |    |    |    |    |    |          |         | BACKSHELL WITH RIBS                  | BACKSHELL WITHOUT RIBS | 90° ADAPTOR WITH RIBS | 90° ADAPTOR WITHOUT RIBS |
|                                |                      | HOUSING KEY/COLOR  | GROMMET CAP | PLR | CPA | MAT SEAL | RING SEAL | 1  | 2  | 3  | 4  | 5  | 6  | 7  | 8  |          |         |                                      |                        |                       |                          |
| MX150 ASSY RCP 2X8 CPA BK A/14 | 334728037            | A-BLACK  | GCP         | PLR | CPA | M        | R         | -  | -  | -  | -  | -  | -  | 7  | -  | SALEABLE |         | N/A                                  | N/A                    | N/A                   | N/A                      |
| MX150 ASSY RCP 2X8 BK A/7      | 334728038            | A-BLACK  | GCP         | PLR |     | M        | R         | -  | 2  | -  | -  | -  | -  | 7  | -  | SALEABLE |         | N/A                                  | N/A                    | N/A                   | N/A                      |
| MX150 ASSY RCP 2X8 BK A/5      | 334728039            | A-BLACK  | GCP         | PLR |     | M        | R         | 1  | 2  | -  | -  | -  | -  | 7  | 8  | SALEABLE |         | N/A                                  | N/A                    | N/A                   | N/A                      |
| MX150 ASSY RCP 2X8 BK A/9      | 334728040            | A-BLACK  | GCP         | PLR |     | M        | R         | 9  | 10 | 11 | 12 | 13 | 14 | -  | 16 | SALEABLE |         | N/A                                  | N/A                    | N/A                   | N/A                      |
| MX150 ASSY RCP 2X8 LG B/11     | 334728041            | B-LIGHT GRAY   | GCP         | PLR |     | M        | R         | -  | 2  | -  | -  | -  | -  | 7  | 8  | SALEABLE |         | N/A                                  | N/A                    | N/A                   | N/A                      |
| MX150 ASSY RCP 2X8 BK A/7      | 334728042            | A-BLACK  | GCP         | PLR |     | M        | R         | -  | -  | -  | -  | 5  | -  | -  | -  | SALEABLE |         | N/A                                  | N/A                    | N/A                   | N/A                      |
| MX150 ASSY RCP 2X8 BK A/10     | 334728043            | A-BLACK  | GCP         | PLR |     | M        | R         | 9  | 10 | 11 | 12 | 13 | 14 | 15 | 16 | SALEABLE |         | N/A                                  | N/A                    | N/A                   | N/A                      |
| MX150 ASSY RCP 2X8 BK A/9      | 334728044            | A-BLACK  | GCP         | PLR |     | M        | R         | -  | -  | -  | -  | -  | 6  | 7  | -  | SALEABLE |         | N/A                                  | N/A                    | N/A                   | N/A                      |
| MX150 ASSY RCP 2X8 BK A/4      | 334728045            | A-BLACK  | GCP         | PLR |     | M        | R         | 9  | 10 | -  | -  | 13 | 14 | 15 | -  | SALEABLE |         | N/A                                  | N/A                    | N/A                   | N/A                      |
| MX150 ASSY RCP 2X8 BK A/8      | 334728046            | A-BLACK  | GCP         | PLR |     | M        | R         | 1  | 2  | 3  | -  | -  | -  | 7  | -  | SALEABLE |         | N/A                                  | N/A                    | N/A                   | N/A                      |
| MX150 ASSY RCP 2X8 BK A/11     | 334728047            | A-BLACK  | GCP         | PLR |     | M        | R         | 9  | -  | -  | 12 | 13 | -  | -  | -  | SALEABLE |         | N/A                                  | N/A                    | N/A                   | N/A                      |
| MX150 ASSY RCP 2X8 BK A/11     | 334728048            | A-BLACK  | GCP         | PLR |     | M        | R         | -  | 2  | -  | -  | 5  | -  | -  | -  | SALEABLE |         | N/A                                  | N/A                    | N/A                   | N/A                      |
| MX150 ASSY RCP 2X8 BK A/14     | 334728049            | A-BLACK  | GCP         | PLR |     | M        | R         | 9  | -  | -  | -  | -  | -  | -  | 16 | SALEABLE |         | N/A                                  | N/A                    | N/A                   | N/A                      |
| MX150 ASSY RCP 2X8 BK A/13     | 334728050            | A-BLACK  | GCP         | PLR |     | M        | R         | -  | -  | -  | 4  | -  | -  | -  | -  | SALEABLE |         | N/A                                  | N/A                    | N/A                   | N/A                      |
| MX150 ASSY RCP 2X8 BK A/9      | 334728051            | A-BLACK  | GCP         | PLR |     | M        | R         | 9  | -  | -  | -  | -  | -  | -  | 16 | SALEABLE |         | N/A                                  | N/A                    | N/A                   | N/A                      |
| MX150 ASSY RCP 2X8 BK A/10     | 334728052            | A-BLACK  | GCP         | PLR |     | M        | R         | -  | -  | -  | -  | -  | -  | 7  | -  | SALEABLE |         | N/A                                  | N/A                    | N/A                   | N/A                      |
| MX150 ASSY RCP 2X8 BK A/8      | 334728053            | A-BLACK  | GCP         | PLR |     | M        | R         | 9  | 10 | 11 | -  | 13 | 14 | 15 | 16 | SALEABLE |         | N/A                                  | N/A                    | N/A                   | N/A                      |
| MX150 ASSY RCP 2X8 CPA BK A/8  | 334728054            | A-BLACK  | GCP         | PLR | CPA | M        | R         | -  | -  | -  | -  | -  | -  | 7  | 8  | SALEABLE |         | N/A                                  | N/A                    | N/A                   | N/A                      |
| MX150 ASSY RCP 2X8 CPA BK A/14 | 334728055            | A-BLACK  | GCP         | PLR | CPA | M        | R         | 9  | -  | 11 | 12 | -  | 14 | 15 | 16 | SALEABLE |         | N/A                                  | N/A                    | N/A                   | N/A                      |
| MX150 ASSY RCP 2X8 CPA LG B/11 | 334728056            | B-LIGHT GRAY   | GCP         | PLR | CPA | M        | R         | 1  | 2  | -  | -  | -  | -  | -  | -  | SALEABLE |         | N/A                                  | N/A                    | N/A                   | N/A                      |
| MX150 ASSY RCP 2X8 CPA BK A/14 | 334728057            | A-BLACK  | GCP         | PLR | CPA | M        | R         | -  | -  | -  | -  | -  | -  | 7  | 8  | SALEABLE |         | N/A                                  | N/A                    | N/A                   | N/A                      |
| MX150 ASSY RCP 2X8 BK A/6      | 334728058            | A-BLACK  | GCP         | PLR |     | M        | R         | -  | -  | -  | -  | -  | 14 | 15 | 16 | SALEABLE |         | N/A                                  | N/A                    | N/A                   | N/A                      |
| MX150 ASSY RCP 2X8 BK A/9      | 334728059            | A-BLACK  | GCP         | PLR |     | M        | R         | 9  | -  | -  | -  | -  | -  | -  | -  | SALEABLE |         | N/A                                  | N/A                    | N/A                   | N/A                      |
| MX150 ASSY RCP 2X8 BK A/11     | 334728060            | A-BLACK  | GCP         | PLR |     | M        | R         | 1  | 2  | 3  | -  | -  | 6  | 7  | -  | SALEABLE |         | N/A                                  | N/A                    | N/A                   | N/A                      |
| MX150 ASSY RCP 2X8 BK A/9      | 334728061            | A-BLACK  | GCP         | PLR |     | M        | R         | -  | 10 | 11 | -  | -  | 14 | -  | -  | SALEABLE |         | N/A                                  | N/A                    | N/A                   | N/A                      |
| MX150 ASSY RCP 2X8 BK A/12     | 334728062            | A-BLACK  | GCP         | PLR |     | M        | R         | -  | 2  | -  | -  | -  | 6  | 7  | -  | SALEABLE |         | N/A                                  | N/A                    | N/A                   | N/A                      |
| MX150 ASSY RCP 2X8 BK A/12     | 334728063            | A-BLACK  | GCP         | PLR |     | M        | R         | -  | -  | -  | -  | -  | -  | -  | 8  | SALEABLE |         | N/A                                  | N/A                    | N/A                   | N/A                      |

| ASSEMBLY DESCRIPTION       | ASSEMBLY PART NUMBER | COMPONENT  |             |     |     |          |           | BLOCKED TERMINALS  |    |    |    |    |    |    |    | STATUS   | COMMENT | OPTIONAL ATTACHMENTS SOLD SEPARATELY |                        |                       |                          |
|----------------------------|----------------------|--|-------------|-----|-----|----------|-----------|--|----|----|----|----|----|----|----|----------|---------|--------------------------------------|------------------------|-----------------------|--------------------------|
|                            |                      | THE PRESENCE OF AN ABBREVIATION INDICATES THE PRESENCE OF THAT COMPONENT |             |     |     |          |           | CAVITY WITH A NUMBER INDICATES BLOCKED TERMINAL POSITION<br>CAVITY WITHOUT A NUMBER INDICATES OPEN TERMINAL POSITION |    |    |    |    |    |    |    |          |         | BACKSHELL WITH RIBS                  | BACKSHELL WITHOUT RIBS | 90° ADAPTOR WITH RIBS | 90° ADAPTOR WITHOUT RIBS |
|                            |                      | HOUSING KEY/COLOR  | GROMMET CAP | PLR | CPA | MAT SEAL | RING SEAL |  |    |    |    |    |    |    |    |          |         |                                      |                        |                       |                          |
| MX150 ASSY RCP 2X8 BK A/8  | 334728064            | A-BLACK  | GCP         | PLR |     | M        | R         | -  | -  | -  | 4  | -  | -  | -  | 8  | SALEABLE |         | N/A                                  | N/A                    | N/A                   | N/A                      |
|                            |                      |  |             |     |     |          |           | 9  | 10 | -  | -  | 13 | 14 | 15 | 16 |          |         |                                      |                        |                       |                          |
| MX150 ASSY RCP 2X8 BK A/10 | 334728065            | A-BLACK  | GCP         | PLR |     | M        | R         | -  | -  | -  | 4  | -  | -  | -  | 8  | SALEABLE |         | N/A                                  | N/A                    | N/A                   | N/A                      |
|                            |                      |  |             |     |     |          |           | 9  | 10 | -  | -  | -  | -  | 15 | 16 |          |         |                                      |                        |                       |                          |
| MX150 ASSY RCP 2X8 BK A/9  | 334728066            | A-BLACK  | GCP         | PLR |     | M        | R         | -  | -  | -  | 4  | -  | 6  | -  | 8  | SALEABLE |         | N/A                                  | N/A                    | N/A                   | N/A                      |
|                            |                      |  |             |     |     |          |           | -  | -  | 11 | -  | 13 | -  | 15 | 16 |          |         |                                      |                        |                       |                          |
| MX150 ASSY RCP 2X8 BK A/12 | 334728067            | A-BLACK  | GCP         | PLR |     | M        | R         | -  | -  | -  | -  | -  | -  | -  | 8  | SALEABLE |         | N/A                                  | N/A                    | N/A                   | N/A                      |
|                            |                      |  |             |     |     |          |           | -  | -  | 11 | -  | 13 | -  | -  | 16 |          |         |                                      |                        |                       |                          |
| MX150 ASSY RCP 2X8 BK A/10 | 334728068            | A-BLACK  | GCP         | PLR |     | M        | R         | -  | -  | -  | -  | 5  | -  | -  | 8  | SALEABLE |         | N/A                                  | N/A                    | N/A                   | N/A                      |
|                            |                      |  |             |     |     |          |           | -  | 10 | 11 | -  | -  | 14 | 15 | -  |          |         |                                      |                        |                       |                          |
| MX150 ASSY RCP 2X8 BK A/11 | 334728069            | A-BLACK  | GCP         | PLR |     | M        | R         | -  | -  | 3  | -  | -  | 6  | -  | -  | SALEABLE |         | N/A                                  | N/A                    | N/A                   | N/A                      |
|                            |                      |  |             |     |     |          |           | 9  | -  | 11 | -  | -  | 14 | -  | -  |          |         |                                      |                        |                       |                          |
| MX150 ASSY RCP 2X8 BK A/13 | 334728070            | A-BLACK  | GCP         | PLR |     | M        | R         | -  | -  | 3  | -  | -  | -  | -  | -  | SALEABLE |         | N/A                                  | N/A                    | N/A                   | N/A                      |
|                            |                      |  |             |     |     |          |           | -  | -  | -  | 12 | 13 | -  | -  | -  |          |         |                                      |                        |                       |                          |
| MX150 ASSY RCP 2X8 BK A/14 | 334728071            | A-BLACK  | GCP         | PLR |     | M        | R         | -  | -  | -  | -  | -  | -  | -  | -  | SALEABLE |         | N/A                                  | N/A                    | N/A                   | N/A                      |
|                            |                      |  |             |     |     |          |           | -  | -  | -  | -  | -  | -  | 15 | 16 |          |         |                                      |                        |                       |                          |
| MX150 ASSY RCP 2X8 BK A/15 | 334728072            | A-BLACK  | GCP         | PLR |     | M        | R         | -  | -  | -  | 4  | -  | -  | -  | -  | SALEABLE |         | N/A                                  | N/A                    | N/A                   | N/A                      |
|                            |                      |  |             |     |     |          |           | -  | -  | -  | -  | -  | -  | -  | -  |          |         |                                      |                        |                       |                          |
| MX150 ASSY RCP 2X8 BK A/14 | 334728073            | A-BLACK  | GCP         | PLR |     | M        | R         | -  | -  | 3  | -  | -  | -  | -  | -  | SALEABLE |         | N/A                                  | N/A                    | N/A                   | N/A                      |
|                            |                      |  |             |     |     |          |           | 9  | -  | -  | -  | -  | -  | -  | -  |          |         |                                      |                        |                       |                          |
| MX150 ASSY RCP 2X8 BK A/15 | 334728074            | A-BLACK  | GCP         | PLR |     | M        | R         | -  | -  | -  | -  | -  | -  | -  | -  | SALEABLE |         | N/A                                  | N/A                    | N/A                   | N/A                      |
|                            |                      |  |             |     |     |          |           | -  | -  | 11 | -  | -  | -  | -  | -  |          |         |                                      |                        |                       |                          |
| MX150 ASSY RCP 2X8 BK A/14 | 334728075            | A-BLACK  | GCP         | PLR |     | M        | R         | -  | -  | -  | -  | -  | -  | -  | -  | SALEABLE |         | N/A                                  | N/A                    | N/A                   | N/A                      |
|                            |                      |  |             |     |     |          |           | 9  | -  | -  | -  | -  | 14 | -  | -  |          |         |                                      |                        |                       |                          |
| MX150 ASSY RCP 2X8 BK A/9  | 334728076            | A-BLACK  | GCP         | PLR |     | M        | R         | -  | -  | -  | -  | -  | -  | 7  | -  | SALEABLE |         | N/A                                  | N/A                    | N/A                   | N/A                      |
|                            |                      |  |             |     |     |          |           | -  | 10 | 11 | -  | 13 | 14 | 15 | 16 |          |         |                                      |                        |                       |                          |
| MX150 ASSY RCP 2X8 BK A/8  | 334728077            | A-BLACK  | GCP         | PLR |     | M        | R         | -  | -  | 3  | -  | -  | -  | -  | -  | SALEABLE |         | N/A                                  | N/A                    | N/A                   | N/A                      |
|                            |                      |  |             |     |     |          |           | -  | 10 | 11 | 12 | 13 | 14 | 15 | 16 |          |         |                                      |                        |                       |                          |
| MX150 ASSY RCP 2X8 BK A/10 | 334728078            | A-BLACK  | GCP         | PLR |     | M        | R         | -  | -  | -  | -  | -  | -  | -  | -  | SALEABLE |         | N/A                                  | N/A                    | N/A                   | N/A                      |
|                            |                      |  |             |     |     |          |           | 9  | 10 | 11 | -  | 13 | -  | 15 | 16 |          |         |                                      |                        |                       |                          |
| MX150 ASSY RCP 2X8 BK A/8  | 334728079            | A-BLACK  | GCP         | PLR |     | M        | R         | 1  | -  | -  | -  | -  | -  | -  | 8  | SALEABLE |         | N/A                                  | N/A                    | N/A                   | N/A                      |
|                            |                      |  |             |     |     |          |           | 9  | 10 | 11 | -  | 13 | -  | 15 | 16 |          |         |                                      |                        |                       |                          |
| MX150 ASSY RCP 2X8 BK A/2  | 334728080            | A-BLACK  | GCP         | PLR |     | M        | R         | 1  | 2  | 3  | 4  | 5  | 6  | 7  | 8  | SALEABLE |         | N/A                                  | N/A                    | N/A                   | N/A                      |
|                            |                      |  |             |     |     |          |           | 9  | 10 | 11 | -  | 13 | -  | 15 | 16 |          |         |                                      |                        |                       |                          |
| MX150 ASSY RCP 2X8 BK A/6  | 334728081            | A-BLACK  | GCP         | PLR |     | M        | R         | 1  | -  | -  | -  | -  | 6  | 7  | -  | SALEABLE |         | N/A                                  | N/A                    | N/A                   | N/A                      |
|                            |                      |  |             |     |     |          |           | 9  | 10 | 11 | 12 | 13 | -  | 15 | 16 |          |         |                                      |                        |                       |                          |
| MX150 ASSY RCP 2X8 BK A/7  | 334728082            | A-BLACK  | GCP         | PLR |     | M        | R         | 1  | -  | -  | -  | -  | 6  | 7  | -  | SALEABLE |         | N/A                                  | N/A                    | N/A                   | N/A                      |
|                            |                      |  |             |     |     |          |           | 9  | 10 | 11 | 12 | 13 | -  | -  | 16 |          |         |                                      |                        |                       |                          |
| MX150 ASSY RCP 2X8 BK A/6  | 334728083            | A-BLACK  | GCP         | PLR |     | M        | R         | -  | -  | 3  | -  | -  | 6  | -  | -  | SALEABLE |         | N/A                                  | N/A                    | N/A                   | N/A                      |
|                            |                      |  |             |     |     |          |           | 9  | 10 | 11 | 12 | 13 | 14 | 15 | 16 |          |         |                                      |                        |                       |                          |
| MX150 ASSY RCP 2X8 BK A/7  | 334728084            | A-BLACK  | GCP         | PLR |     | M        | R         | -  | 2  | -  | -  | 5  | -  | -  | -  | SALEABLE |         | N/A                                  | N/A                    | N/A                   | N/A                      |
|                            |                      |  |             |     |     |          |           | -  | 10 | 11 | 12 | 13 | 14 | 15 | 16 |          |         |                                      |                        |                       |                          |
| MX150 ASSY RCP 2X8 BK A/4  | 334728085            | A-BLACK  | GCP         | PLR |     | M        | R         | -  | 2  | 3  | -  | 5  | 6  | -  | -  | SALEABLE |         | N/A                                  | N/A                    | N/A                   | N/A                      |
|                            |                      |  |             |     |     |          |           | 9  | 10 | 11 | 12 | 13 | 14 | 15 | 16 |          |         |                                      |                        |                       |                          |
| MX150 ASSY RCP 2X8 BK A/10 | 334728086            | A-BLACK  | GCP         | PLR |     | M        | R         | 1  | -  | -  | -  | -  | -  | -  | -  | SALEABLE |         | N/A                                  | N/A                    | N/A                   | N/A                      |
|                            |                      |  |             |     |     |          |           | 9  | -  | 11 | -  | 13 | -  | 15 | 16 |          |         |                                      |                        |                       |                          |
| MX150 ASSY RCP 2X8 BK A/9  | 334728087            | A-BLACK  | GCP         | PLR |     | M        | R         | 1  | -  | -  | -  | -  | -  | -  | -  | SALEABLE |         | N/A                                  | N/A                    | N/A                   | N/A                      |
|                            |                      |  |             |     |     |          |           | 9  | -  | 11 | 12 | -  | 14 | 15 | 16 |          |         |                                      |                        |                       |                          |
| MX150 ASSY RCP 2X8 BK A/8  | 334728088            | A-BLACK  | GCP         | PLR |     | M        | R         | -  | -  | -  | -  | -  | -  | -  | 8  | SALEABLE |         | N/A                                  | N/A                    | N/A                   | N/A                      |
|                            |                      |  |             |     |     |          |           | 9  | 10 | 11 | 12 | -  | 14 | 15 | 16 |          |         |                                      |                        |                       |                          |
| MX150 ASSY RCP 2X8 BK A/11 | 334728089            | A-BLACK  | GCP         | PLR |     | M        | R         | -  | -  | -  | -  | -  | -  | -  | -  | SALEABLE |         | N/A                                  | N/A                    | N/A                   | N/A                      |
|                            |                      |  |             |     |     |          |           | -  | 10 | 11 | 12 | -  | 14 | 15 | -  |          |         |                                      |                        |                       |                          |
| MX150 ASSY RCP 2X8 BK A/10 | 334728090            | A-BLACK  | GCP         | PLR |     | M        | R         | -  | -  | -  | -  | -  | -  | -  | -  | SALEABLE |         | N/A                                  | N/A                    | N/A                   | N/A                      |
|                            |                      |  |             |     |     |          |           | 9  | 10 | 11 | 12 | -  | 14 | 15 | -  |          |         |                                      |                        |                       |                          |



| ASSEMBLY DESCRIPTION           | ASSEMBLY PART NUMBER | COMPONENT  |             |     |     |          |           | BLOCKED TERMINALS  |    |    |    |    |    |    |    | STATUS | COMMENT  | OPTIONAL ATTACHMENTS SOLD SEPARATELY |                        |                       |                          |     |
|--------------------------------|----------------------|--|-------------|-----|-----|----------|-----------|--|----|----|----|----|----|----|----|--------|----------|--------------------------------------|------------------------|-----------------------|--------------------------|-----|
|                                |                      | THE PRESENCE OF AN ABBREVIATION INDICATES THE PRESENCE OF THAT COMPONENT |             |     |     |          |           | CAVITY WITH A NUMBER INDICATES BLOCKED TERMINAL POSITION<br>CAVITY WITHOUT A NUMBER INDICATES OPEN TERMINAL POSITION |    |    |    |    |    |    |    |        |          | BACKSHELL WITH RIBS                  | BACKSHELL WITHOUT RIBS | 90° ADAPTOR WITH RIBS | 90° ADAPTOR WITHOUT RIBS |     |
|                                |                      | HOUSING KEY/COLOR  | GROMMET CAP | PLR | CPA | MAT SEAL | RING SEAL | 1  | 2  | 3  | 4  | 5  | 6  | 7  | 8  |        |          |                                      |                        |                       |                          |     |
| MX150 ASSY RCP 2X8 BK A/15     | 334728091            | A-BLACK  | GCP         | PLR |     | M        | R         | -  | -  | -  | -  | -  | -  | -  | -  | -      | SALEABLE |                                      | N/A                    | N/A                   | N/A                      | N/A |
| MX150 ASSY RCP 2X8 BK A/13     | 334728092            | A-BLACK  | GCP         | PLR |     | M        | R         | -  | -  | -  | 12 | -  | 5  | 6  | -  | -      | SALEABLE |                                      | N/A                    | N/A                   | N/A                      | N/A |
| MX150 ASSY RCP 2X8 BK A/13     | 334728093            | A-BLACK  | GCP         | PLR |     | M        | R         | -  | -  | -  | -  | 5  | 6  | 7  | -  | -      | SALEABLE |                                      | N/A                    | N/A                   | N/A                      | N/A |
| MX150 ASSY RCP 2X8 BK A/5      | 334728094            | A-BLACK  | GCP         | PLR |     | M        | R         | 1  | 2  | 3  | 4  | 5  | 6  | 7  | 8  | -      | SALEABLE |                                      | N/A                    | N/A                   | N/A                      | N/A |
| MX150 ASSY RCP 2X8 BK A/10     | 334728095            | A-BLACK  | GCP         | PLR |     | M        | R         | -  | -  | -  | -  | -  | 6  | -  | -  | -      | SALEABLE |                                      | N/A                    | N/A                   | N/A                      | N/A |
| MX150 ASSY RCP 2X8 BK A/12     | 334728096            | A-BLACK  | GCP         | PLR |     | M        | R         | -  | -  | -  | -  | 5  | -  | -  | -  | -      | SALEABLE |                                      | N/A                    | N/A                   | N/A                      | N/A |
| MX150 ASSY RCP 2X8 BK A/10     | 334728097            | A-BLACK  | GCP         | PLR |     | M        | R         | 9  | -  | -  | -  | 5  | -  | -  | -  | -      | SALEABLE |                                      | N/A                    | N/A                   | N/A                      | N/A |
| MX150 ASSY RCP 2X8 BK A/12     | 334728098            | A-BLACK  | GCP         | PLR |     | M        | R         | 9  | -  | 3  | -  | -  | -  | -  | -  | -      | SALEABLE |                                      | N/A                    | N/A                   | N/A                      | N/A |
| MX150 ASSY RCP 2X8 BK A/13     | 334728099            | A-BLACK  | GCP         | PLR |     | M        | R         | 9  | -  | 3  | -  | 5  | -  | -  | -  | -      | SALEABLE |                                      | N/A                    | N/A                   | N/A                      | N/A |
| MX150 ASSY RCP 2X8 CPA BK A/6  | 334728100            | A-BLACK  | GCP         | PLR | CPA | M        | R         | 1  | 2  | 3  | 4  | 5  | 6  | 7  | 8  | -      | SALEABLE |                                      | N/A                    | N/A                   | N/A                      | N/A |
| MX150 ASSY RCP 2X8 BK A/6      | 334728101            | A-BLACK  | GCP         | PLR |     | M        | R         | 1  | 2  | 3  | 4  | 5  | 6  | 7  | 8  | -      | SALEABLE |                                      | N/A                    | N/A                   | N/A                      | N/A |
| MX150 ASSY RCP 2X8 CPA BK A/14 | 334728102            | A-BLACK  | GCP         | PLR | CPA | M        | R         | -  | -  | -  | -  | -  | -  | -  | -  | -      | SALEABLE |                                      | N/A                    | N/A                   | N/A                      | N/A |
| MX150 ASSY RCP 2X8 BK A/10     | 334728103            | A-BLACK  | GCP         | PLR |     | M        | R         | 1  | -  | -  | -  | 5  | -  | -  | -  | 8      | SALEABLE |                                      | N/A                    | N/A                   | N/A                      | N/A |
| MX150 ASSY RCP 2X8 CPA BK A/7  | 334728104            | A-BLACK  | GCP         | PLR | CPA | M        | R         | 9  | 10 | -  | -  | -  | -  | -  | -  | 16     | SALEABLE |                                      | N/A                    | N/A                   | N/A                      | N/A |
| MX150 ASSY RCP 2X8 CPA BK A/14 | 334728105            | A-BLACK  | GCP         | PLR | CPA | M        | R         | -  | 2  | -  | 4  | 5  | -  | -  | -  | 8      | SALEABLE |                                      | N/A                    | N/A                   | N/A                      | N/A |
| MX150 ASSY RCP 2X8 CPA BK A/8  | 334728106            | A-BLACK  | GCP         | PLR | CPA | M        | R         | -  | -  | -  | -  | -  | -  | -  | -  | 8      | SALEABLE |                                      | N/A                    | N/A                   | N/A                      | N/A |
| MX150 ASSY RCP 2X8 BK A/8      | 334728107            | A-BLACK  | GCP         | PLR |     | M        | R         | -  | -  | 3  | -  | -  | 6  | -  | -  | -      | SALEABLE |                                      | N/A                    | N/A                   | N/A                      | N/A |
| MX150 ASSY RCP 2X8 BK A/7      | 334728108            | A-BLACK  | GCP         | PLR |     | M        | R         | -  | -  | 11 | 12 | 13 | 14 | 15 | 16 | -      | SALEABLE |                                      | N/A                    | N/A                   | N/A                      | N/A |
| MX150 ASSY RCP 2X8 BK A/14     | 334728109            | A-BLACK  | GCP         | PLR |     | M        | R         | 9  | -  | 3  | -  | -  | 6  | -  | -  | -      | SALEABLE |                                      | N/A                    | N/A                   | N/A                      | N/A |
| MX150 ASSY RCP 2X8 BK A/6      | 334728110            | A-BLACK  | GCP         | PLR |     | M        | R         | -  | -  | -  | -  | -  | -  | -  | -  | 16     | SALEABLE |                                      | N/A                    | N/A                   | N/A                      | N/A |
| MX150 ASSY RCP 2X8 BK A/6      | 334728111            | A-BLACK  | GCP         | PLR |     | M        | R         | 1  | -  | -  | -  | 5  | 6  | 7  | 8  | -      | SALEABLE |                                      | N/A                    | N/A                   | N/A                      | N/A |
| MX150 ASSY RCP 2X8 BK A/14     | 334728112            | A-BLACK  | GCP         | PLR |     | M        | R         | -  | 10 | 11 | 12 | 13 | -  | -  | -  | 16     | SALEABLE |                                      | N/A                    | N/A                   | N/A                      | N/A |
| MX150 ASSY RCP 2X8 CPA BK A/14 | 334728113            | A-BLACK  | GCP         | PLR | CPA | M        | R         | -  | -  | 3  | -  | -  | -  | -  | -  | -      | SALEABLE |                                      | N/A                    | N/A                   | N/A                      | N/A |
| MX150 ASSY RCP 2X8 BK A/8      | 334728114            | A-BLACK  | GCP         | PLR |     | M        | R         | -  | -  | -  | -  | -  | -  | 15 | -  | -      | SALEABLE |                                      | N/A                    | N/A                   | N/A                      | N/A |
| MX150 ASSY RCP 2X8 BK A/8      | 334728114            | A-BLACK  | GCP         | PLR |     | M        | R         | 1  | 2  | -  | 4  | 5  | 6  | -  | 8  | -      | SALEABLE |                                      | N/A                    | N/A                   | N/A                      | N/A |
| MX150 ASSY RCP 2X8 LG B/11     | 334728115            | B-LIGHT GRAY   | GCP         | PLR |     | M        | R         | -  | 10 | -  | -  | -  | 14 | -  | -  | -      | SALEABLE |                                      | N/A                    | N/A                   | N/A                      | N/A |
| MX150 ASSY RCP 2X8 LG B/6      | 334728116            | B-LIGHT GRAY   | GCP         | PLR |     | M        | R         | -  | -  | -  | -  | 13 | 14 | 15 | 16 | -      | SALEABLE |                                      | N/A                    | N/A                   | N/A                      | N/A |
| MX150 ASSY RCP 2X8 LG B/3      | 334728117            | B-LIGHT GRAY   | GCP         | PLR |     | M        | R         | 1  | 2  | 3  | 4  | -  | 6  | 7  | -  | -      | SALEABLE |                                      | N/A                    | N/A                   | N/A                      | N/A |
|                                |                      |  |             |     |     |          |           | -  | -  | -  | 4  | 5  | 6  | 7  | 8  | -      | SALEABLE |                                      | N/A                    | N/A                   | N/A                      | N/A |
|                                |                      |  |             |     |     |          |           | 9  | 10 | 11 | 12 | 13 | 14 | 15 | 16 | -      |          |                                      |                        |                       |                          |     |

| ASSEMBLY DESCRIPTION           | ASSEMBLY PART NUMBER | COMPONENT  |             |     |     |          |           | BLOCKED TERMINALS  |    |    |    |    |    |    |    | STATUS   | COMMENT | OPTIONAL ATTACHMENTS SOLD SEPARATELY |                        |                       |                          |  |
|--------------------------------|----------------------|--|-------------|-----|-----|----------|-----------|--|----|----|----|----|----|----|----|----------|---------|--------------------------------------|------------------------|-----------------------|--------------------------|--|
|                                |                      | THE PRESENCE OF AN ABBREVIATION INDICATES THE PRESENCE OF THAT COMPONENT |             |     |     |          |           | CAVITY WITH A NUMBER INDICATES BLOCKED TERMINAL POSITION<br>CAVITY WITHOUT A NUMBER INDICATES OPEN TERMINAL POSITION |    |    |    |    |    |    |    |          |         | BACKSHELL WITH RIBS                  | BACKSHELL WITHOUT RIBS | 90° ADAPTOR WITH RIBS | 90° ADAPTOR WITHOUT RIBS |  |
|                                |                      | HOUSING KEY/COLOR  | GROMMET CAP | PLR | CPA | MAT SEAL | RING SEAL |  |    |    |    |    |    |    |    |          |         |                                      |                        |                       |                          |  |
| MX150 ASSY RCP 2X8 BK A/12     | 334728118            | A-BLACK  | GCP         | PLR |     | M        | R         | -  | -  | -  | -  | 5  | -  | -  | -  | SALEABLE |         | N/A                                  | N/A                    | N/A                   | N/A                      |  |
|                                |                      |  |             |     |     |          |           | -  | 10 | 11 | -  | -  | 14 | -  | -  |          |         |                                      |                        |                       |                          |  |
| MX150 ASSY RCP 2X8 BK A/9      | 334728119            | A-BLACK  | GCP         | PLR |     | M        | R         | -  | -  | 3  | -  | 5  | -  | -  | 8  | SALEABLE |         | N/A                                  | N/A                    | N/A                   | N/A                      |  |
|                                |                      |  |             |     |     |          |           | -  | 10 | 11 | -  | -  | 14 | 15 | -  |          |         |                                      |                        |                       |                          |  |
| MX150 ASSY RCP 2X8 BK A/10     | 334728120            | A-BLACK  | GCP         | PLR |     | M        | R         | -  | -  | 3  | -  | 5  | -  | -  | -  | SALEABLE |         | N/A                                  | N/A                    | N/A                   | N/A                      |  |
|                                |                      |  |             |     |     |          |           | -  | 10 | 11 | -  | -  | 14 | 15 | -  |          |         |                                      |                        |                       |                          |  |
| MX150 ASSY RCP 2X8 BK A/6      | 334728121            | A-BLACK  | GCP         | PLR |     | M        | R         | -  | -  | 3  | -  | -  | 6  | 7  | -  | SALEABLE |         | N/A                                  | N/A                    | N/A                   | N/A                      |  |
|                                |                      |  |             |     |     |          |           | 9  | -  | 11 | 12 | 13 | 14 | 15 | 16 |          |         |                                      |                        |                       |                          |  |
| MX150 ASSY RCP 2X8 BK A/7      | 334728122            | A-BLACK  | GCP         | PLR |     | M        | R         | -  | -  | 3  | -  | -  | 6  | 7  | -  | SALEABLE |         | N/A                                  | N/A                    | N/A                   | N/A                      |  |
|                                |                      |  |             |     |     |          |           | -  | -  | 11 | 12 | 13 | 14 | 15 | 16 |          |         |                                      |                        |                       |                          |  |
| MX150 ASSY RCP 2X8 CPA BK A/11 | 334728123            | A-BLACK  | GCP         | PLR | CPA | M        | R         | -  | -  | -  | 4  | -  | -  | 7  | -  | SALEABLE |         | N/A                                  | N/A                    | N/A                   | N/A                      |  |
|                                |                      |  |             |     |     |          |           | -  | -  | -  | 12 | 13 | -  | 15 | -  |          |         |                                      |                        |                       |                          |  |
| MX150 ASSY RCP 2X8 BK A/8      | 334728124            | A-BLACK  | GCP         | PLR |     | M        | R         | -  | -  | -  | 4  | 5  | -  | -  | -  | SALEABLE |         | N/A                                  | N/A                    | N/A                   | N/A                      |  |
|                                |                      |  |             |     |     |          |           | 9  | -  | 11 | 12 | 13 | -  | 15 | 16 |          |         |                                      |                        |                       |                          |  |
| MX150 ASSY RCP 2X8 BK A/9      | 334728125            | A-BLACK  | GCP         | PLR |     | M        | R         | -  | -  | 3  | -  | 5  | 6  | -  | -  | SALEABLE |         | N/A                                  | N/A                    | N/A                   | N/A                      |  |
|                                |                      |  |             |     |     |          |           | 9  | -  | 11 | -  | -  | -  | 15 | 16 |          |         |                                      |                        |                       |                          |  |
| MX150 ASSY RCP 2X8 BK A/10     | 334728126            | A-BLACK  | GCP         | PLR |     | M        | R         | -  | -  | 3  | 4  | -  | -  | -  | -  | SALEABLE |         | N/A                                  | N/A                    | N/A                   | N/A                      |  |
|                                |                      |  |             |     |     |          |           | 9  | -  | 11 | 12 | 13 | -  | -  | -  |          |         |                                      |                        |                       |                          |  |
| MX150 ASSY RCP 2X8 BK A/9      | 334728127            | A-BLACK  | GCP         | PLR |     | M        | R         | -  | -  | 3  | 4  | -  | -  | 7  | -  | SALEABLE |         | N/A                                  | N/A                    | N/A                   | N/A                      |  |
|                                |                      |  |             |     |     |          |           | 9  | -  | 11 | 12 | 13 | -  | -  | -  |          |         |                                      |                        |                       |                          |  |
| MX150 ASSY RCP 2X8 BK A/7      | 334728128            | A-BLACK  | GCP         | PLR |     | M        | R         | -  | -  | -  | 4  | 5  | -  | 7  | -  | SALEABLE |         | N/A                                  | N/A                    | N/A                   | N/A                      |  |
|                                |                      |  |             |     |     |          |           | 9  | -  | 11 | 12 | 13 | -  | 15 | 16 |          |         |                                      |                        |                       |                          |  |
| MX150 ASSY RCP 2X8 BK A/8      | 334728129            | A-BLACK  | GCP         | PLR |     | M        | R         | -  | -  | 3  | -  | 5  | 6  | 7  | -  | SALEABLE |         | N/A                                  | N/A                    | N/A                   | N/A                      |  |
|                                |                      |  |             |     |     |          |           | 9  | -  | 11 | -  | -  | -  | 15 | 16 |          |         |                                      |                        |                       |                          |  |
| MX150 ASSY RCP 2X8 BK A/9      | 334728130            | A-BLACK  | GCP         | PLR |     | M        | R         | -  | -  | -  | 4  | -  | 6  | 7  | 8  | SALEABLE |         | N/A                                  | N/A                    | N/A                   | N/A                      |  |
|                                |                      |  |             |     |     |          |           | -  | 10 | 11 | 12 | -  | -  | -  | -  |          |         |                                      |                        |                       |                          |  |
| MX150 ASSY RCP 2X8 BK A/6      | 334728131            | A-BLACK  | GCP         | PLR |     | M        | R         | 1  | 2  | 3  | 4  | -  | -  | 7  | 8  | SALEABLE |         | N/A                                  | N/A                    | N/A                   | N/A                      |  |
|                                |                      |  |             |     |     |          |           | 9  | -  | -  | 12 | -  | -  | 15 | 16 |          |         |                                      |                        |                       |                          |  |
| MX150 ASSY RCP 2X8 BK A/3      | 334728132            | A-BLACK  | GCP         | PLR |     | M        | R         | 1  | 2  | 3  | 4  | -  | 6  | 7  | 8  | SALEABLE |         | N/A                                  | N/A                    | N/A                   | N/A                      |  |
|                                |                      |  |             |     |     |          |           | 9  | 10 | 11 | 12 | -  | -  | 15 | 16 |          |         |                                      |                        |                       |                          |  |
| MX150 ASSY RCP 2X8 BK A/5      | 334728133            | A-BLACK  | GCP         | PLR |     | M        | R         | 1  | 2  | 3  | -  | -  | 6  | 7  | 8  | SALEABLE |         | N/A                                  | N/A                    | N/A                   | N/A                      |  |
|                                |                      |  |             |     |     |          |           | -  | 10 | 11 | 12 | -  | -  | 15 | 16 |          |         |                                      |                        |                       |                          |  |
| MX150 ASSY RCP 2X8 BK A/11     | 334728134            | A-BLACK  | GCP         | PLR |     | M        | R         | -  | -  | -  | 4  | -  | -  | 7  | 8  | SALEABLE |         | N/A                                  | N/A                    | N/A                   | N/A                      |  |
|                                |                      |  |             |     |     |          |           | 9  | -  | -  | 12 | -  | -  | -  | -  |          |         |                                      |                        |                       |                          |  |
| MX150 ASSY RCP 2X8 BK A/10     | 334728135            | A-BLACK  | GCP         | PLR |     | M        | R         | -  | -  | -  | -  | -  | 6  | 7  | 8  | SALEABLE |         | N/A                                  | N/A                    | N/A                   | N/A                      |  |
|                                |                      |  |             |     |     |          |           | -  | 10 | 11 | 12 | -  | -  | -  | -  |          |         |                                      |                        |                       |                          |  |
| MX150 ASSY RCP 2X8 CPA BK A/13 | 334728136            | A-BLACK  | GCP         | PLR | CPA | M        | R         | -  | -  | -  | -  | 5  | 6  | -  | -  | SALEABLE |         | N/A                                  | N/A                    | N/A                   | N/A                      |  |
|                                |                      |  |             |     |     |          |           | -  | -  | -  | 12 | -  | -  | -  | -  |          |         |                                      |                        |                       |                          |  |
| MX150 ASSY RCP 2X8 CPA BK A/15 | 334728137            | A-BLACK  | GCP         | PLR | CPA | M        | R         | -  | -  | -  | -  | -  | -  | -  | -  | SALEABLE |         | N/A                                  | N/A                    | N/A                   | N/A                      |  |
|                                |                      |  |             |     |     |          |           | -  | -  | -  | 12 | -  | -  | -  | -  |          |         |                                      |                        |                       |                          |  |

| TABLE OF CONTENTS |                                     |
|-------------------|-------------------------------------|
| SHEET NO.         | SHEET DESCRIPTION                   |
| 1                 | NOTES AND BOM                       |
| 2                 | CONFIGURATIONS                      |
| 3-4               | KEY CONFIGURATIONS                  |
| 5                 | RECEPTACLE CONNECTOR ASSEMBLY       |
| 6                 | BACKSHELL NOTES                     |
| 7                 | BACKSHELL                           |
| 8                 | BACKSHELL CONFIGURATIONS            |
| 9                 | 2X10 CONNECTOR INTERFACE DEFINITION |

NOTES: VALID UNLESS OTHERWISE SPECIFIED

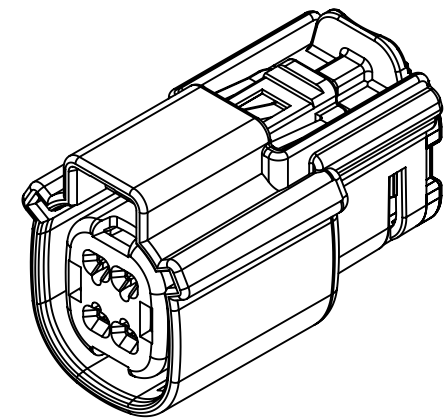
1. GENERAL:
- a. APPLICATION SPECIFICATION SEE: AS-33472-100
- CONTAINS: PRODUCT INTRODUCTION, PRODUCT SUMMARY, CONNECTOR ASSEMBLY, PACKAGING INFORMATION, CONNECTOR MATING, SERVICE INSTRUCTIONS, ELECTRICAL CONTINUITY CHECKING, CRIMPING, AND TROUBLESHOOTING.
  - DESIGNED TO MATE WITH DEVICE OR CONNECTOR AS SPECIFIED IN THE MATING INTERFACE/CONNECTOR DRAWINGS CHART.
  - \*DENOTES DRAWINGS THAT CAN BE ACCESSED AT <http://ewcap.uscarteams.org/>.
  - ASSEMBLY SHIPPED WITH PLR IN PRE-LOCK POSITION (SEE PLR PRE-LOCK VIEW SHEET 5).
- b. PRODUCT SPECIFICATION SEE:
- STANDARD CONFIGURATION (STD): PS-33472-000
  - TRANSMISSION CONFIGURATION (TRNS):
    - CONTAINS SILICONE: TS-160038-0001
    - SILICONE FREE: TBD
  - UL V0 CONFIGURATION (UL V0): TBD
    - CONTAINS: PRODUCT INTRODUCTION, PRODUCT SUMMARY, RATINGS (CURRENT, TEMPERATURE, SEALING, AND FLAMMABILITY), TERMINALS, WIRE DIAMETER RANGE, PRODUCT VALIDATION, AND PRODUCT DEVIATIONS.
- c. PACKAGING SPECIFICATION PER MOLEX DRAWING: SEE PACKAGING CHART
- d. PARTS MUST BE IN COMPLIANCE TO MOLEX CHEMICAL SUBSTANCES FOR PRODUCTS AND PACKAGING SPECIFICATION: QEHS-699000-301
- e. DATA MUST BE SUBMITTED UNDER THE MOLEX PART NUMBER TO IMDS (COMPANY ID#13255)

2. DESIGN - MATERIALS:
- a. FOR BILL OF MATERIALS SEE:
- STANDARD CONFIGURATION SD-33472-0002
  - TRANSMISSION CONGRURATION
    - CONTAINS SILICONE: SD-160038-0002
    - SILICONE FREE: SD-160092-0002
  - UL V0 CONFIGURATION SD-160074-0002
- b. TRANSMISSION CONNECTOR COMPONENTS MUST MEET THE MATERIAL REQUIREMENTS SPECIFIED IN TS-160038-0001 & TBD

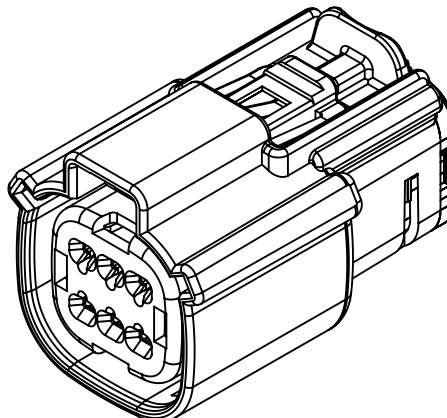
3. DESIGN - GEOMETRY:
- a. THE 3-D CAD DATA IS BASIC (WITHOUT TOLERANCE) AND MASTER FOR THIS PART WITH THE EXCEPTION OF UNDERLINED DIMENSIONS. DIMENSIONAL INFORMATION NOT SHOWN ON THIS DRAWING IS DEFINED BY THE DATA FILE AT ITS LATEST REVISION.
- b. GEOMETRIC DIMENSIONS AND TOLERANCES PER ASME Y14.5M-2009
- c. EDGES AND UNDIMENSIONED DETAILS PER ISO13715
- d. CORNERS SHOWN AS SHARP TO BE R 0.2 MAX.
- e. LETTERING SHALL BE 0.15 MAX RAISED IN 0.25 MAX RECESS PAD. THIS INCLUDES RECYCLING CODE, CAVITY ID, VENDOR IDENTIFICATION, AND CUSTOMER MATERIAL NUMBER.
- f. VISUAL DEFECTS SHALL MEET COSMETIC STANDARD PS-45499-002 (Class B).
- g. LASER MARKING:
- PART NUMBER
  - DAY OF THE YEAR
  - SHIFT
  - YEAR
- FOR ADDITIONAL INFORMATION SEE SECTION 5 UNDER PROCEDURES IN ES-34735-008.
- h. 2X2 CLIP-SLOT DESIGN IS BASED ON USCAR/EWCAP 7mm CLIP SLOT EWCAP - 005 - 7
- 2X3 THRU 2X10 CLIP-SLOT DESIGN IS BASED ON USCAR/EWCAP 11mm CLIP SLOT EWCAP - 005 - 11

| DESCRIPTION | DRAWING NO.  |
|-------------|--------------|
| 2X2         | PK-31300-635 |
| 2X3         | PK-31300-903 |
| 2X4         | PK-31300-903 |
| 2X6         | PK-31300-903 |
| 2X8         | PK-31300-903 |
| 2X10        | PK-31300-903 |

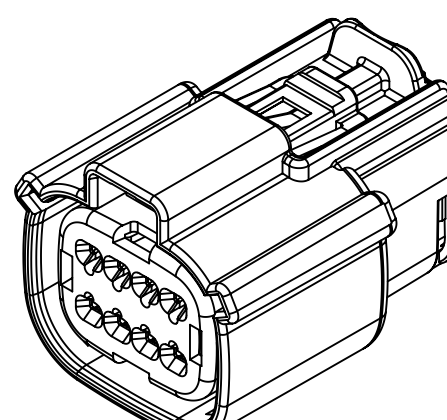
| MATING INTERFACE/CONNECTOR DRAWINGS |                      |               |
|-------------------------------------|----------------------|---------------|
| DESCRIPTION                         | INTERFACE DEFINITION | MOLEX INLINE  |
| STANDARD 2X2                        | *150-S-004-2-Z02     | SD-33482-0001 |
| UL V0 2X2                           | *150-S-004-2-Z02     | SD-33482-0001 |
| STANDARD 2X3                        | *150-S-006-2-Z02     | SD-33482-0001 |
| TRANSMISSION 2X3                    | *150-S-006-2-Z02     | N/A           |
| STANDARD 2X4                        | *150-S-008-2-Z02     | SD-33482-0001 |
| UL V0 2X4                           | *150-S-008-2-Z02     | SD-33482-0001 |
| STANDARD 2X6                        | *150-S-012-2-Z01     | SD-33482-0001 |
| UL V0 2X6                           | *150-S-012-2-Z01     | SD-33482-0001 |
| STANDARD 2X8                        | *150-S-016-2-Z01     | SD-33482-0001 |
| STANDARD 2X10                       | SD-33472-0001        | SD-33482-0001 |
| UL V0 2X10                          | SD-33472-0001        | SD-33482-0001 |



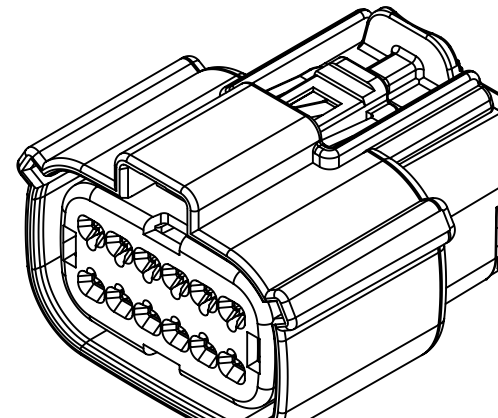
2x2



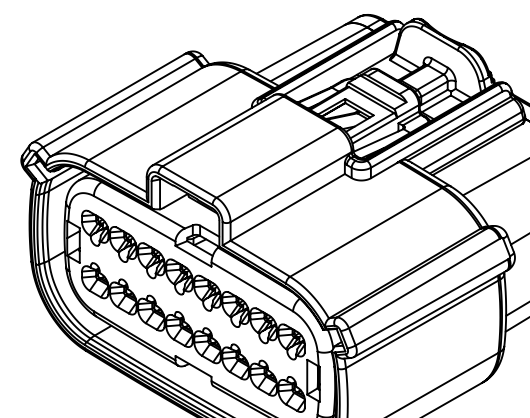
2x3



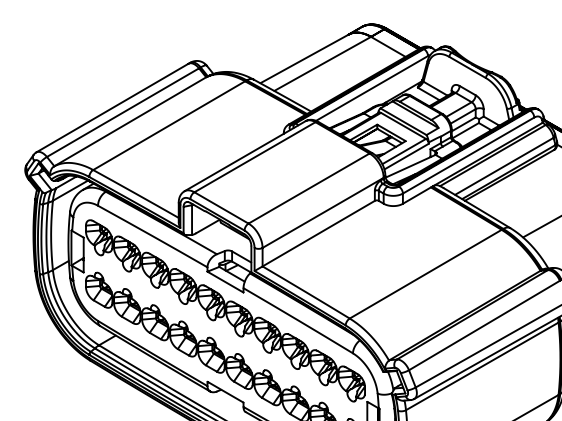
2x4



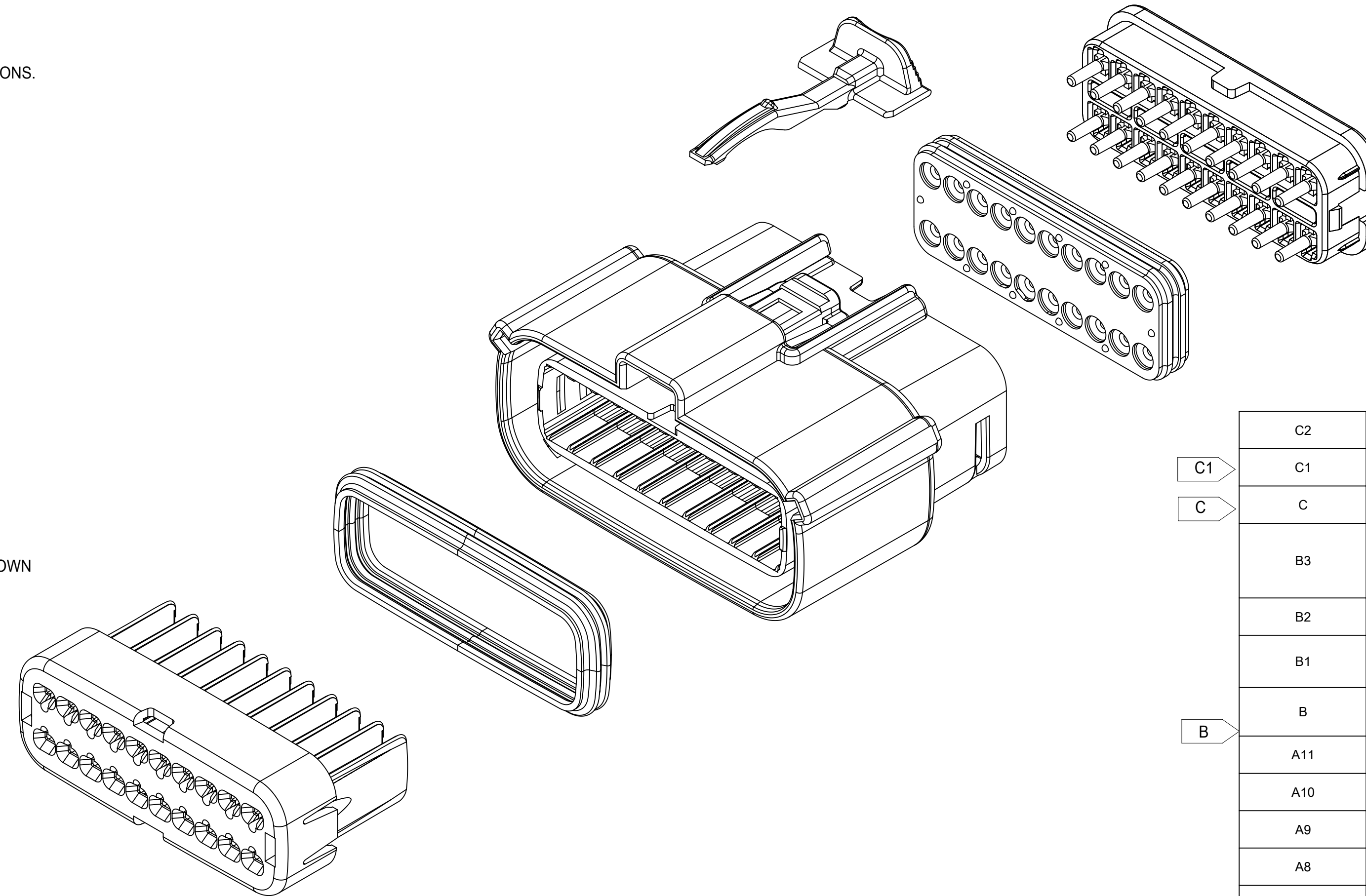
2x6



2x8



2x10



|     |   |
|-----|---|
| C2  | ADDED MOLEX BACKSHELL DETAILS   |
| C1  | ADDED 2X6-TRNS.-WITH/WITHOUT CLIPSLOT *   |
| C   | ADDED 2X10-STD.-WITH CLIPSLOT *   |
| B3  | ADD ROW FOR 2X6 V0 ON SHEET 5DIM3#<br>UPDATE TO 25.0 MAX FOR V0DIM11#<br>UPDATE TO 33.85 MAX FOR V0 |
| B2  | ADD 2X6 UL V0 CONFIGURATIONS  |
| B1  | UPDATE 2X6 W/O CLIPSLOT DIM G ON<br>TABLE OF SHEET 5  |
| B   | ADDED 2X2 - STD- WITH CLIPSLOT,<br>2X8 - STD- WITH CLIPSLOT<br>AND NOTE h                           |
| A11 | MINOR GEOMETRY CHANGE FOR UL V0   |
| A10 | UPDATED 2X4 DRAWING NUMBER  |
| A9  | UPDATED 2X10 PART NUMBERS   |
| A8  | UPDATED 2X3 DRAWING NUMBER  |
| A7  | UPDATED 2X10 INTERFACE  |
| A6  | ADDED TRANSMISSION REFERENCES   |
| A5  | ADD 2X10 INTERFACE SHEETS   |
| A4  | ADD UL V0 CONFIGURATIONS  |
| A3  | ADDED 2X3 STD AND TRANSMISSION  |
| A2  | UPDATED 2X8 BLD DRAWINGS  |
| A1  | FIXED TYPO IN NOTE 1a, UPDATED 2X6<br>MOLEX INLINE BLADE DRAWING                                    |
| A   | INITIAL RELEASE   |
| REV | REV DESCRIPTION   |

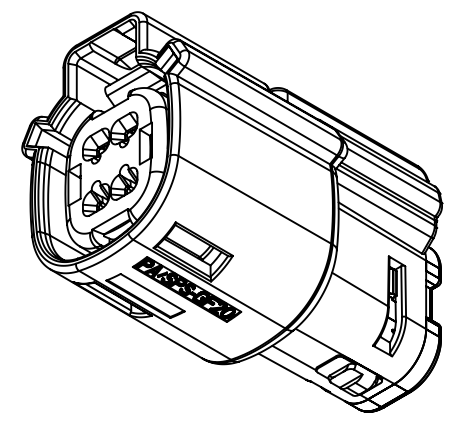
| INSPECTION NUMBER LOG |    |
|-----------------------|----|
| LAST NUMBER:          | 11 |
| ADDED:                | 11 |
| REMOVED:              |    |

| SYMBOLS |     | THIS DRAWING CONTAINS INFORMATION THAT IS PROPRIETARY TO MOLEX ELECTRONIC TECHNOLOGIES, LLC AND SHOULD NOT BE USED WITHOUT WRITTEN PERMISSION |       | CURRENT REV DESC:                                    |  | molex   |  |
|---------|-----|---|-------|--|--|---|--|
|         | = 0 | DIMENSION UNITS   | SCALE | EC NO: 171650  |  | MX150 RCPT<br>DUAL ROW SEALED ASSEMBLY MAT SEAL |  |
|         | = 0 | mm  | 1:1   | DRWN: DDEB 2018/01/19                                |  |   |  |
|         | = 0 | GENERAL TOLERANCES (UNLESS SPECIFIED)   |       | CHK'D: MVANSLAMBROU 2018/02/16                       |  | PRODUCT CUSTOMER DRAWING                        |  |
|         | = 0 | ANGULAR TOL ± 1.0°  |       | APPR: MVANSLAMBROU 2018/02/16                        |  |   |  |
|         | = 0 | 4 PLACES ±  |       | INITIAL REVISION:                                    |  | DOCUMENT NUMBER                                 |  |
|         | = 0 | 3 PLACES ±  |       | DRWN: APROFFITT 2014/05/14                           |  | DOC TYPE   DOC PART   REVISION                  |  |
|         | = 0 | 2 PLACES ± 0.1  |       | APPR: VKOSHY 2014/06/27                              |  | SD-33472-0001                                   |  |
|         | = 0 | 1 PLACE ± 0.2   |       | DRAFT WHERE APPLICABLE MUST REMAIN WITHIN DIMENSIONS |  | PSD 001 C2                                      |  |
|         | = 0 | 0 PLACES ±  |       | THIRD ANGLE PROJECTION                               |  | MATERIAL NUMBER                                 |  |
|         | = 0 |   |       | DRAWING  |  | CUSTOMER  |  |
|         |     |   |       | A1-SIZE  |  | GENERAL MARKET                                  |  |
|         |     |   |       | SERIES   |  | SHEET NUMBER                                    |  |
|         |     |   |       | 33472  |  | 1 OF 11   |  |

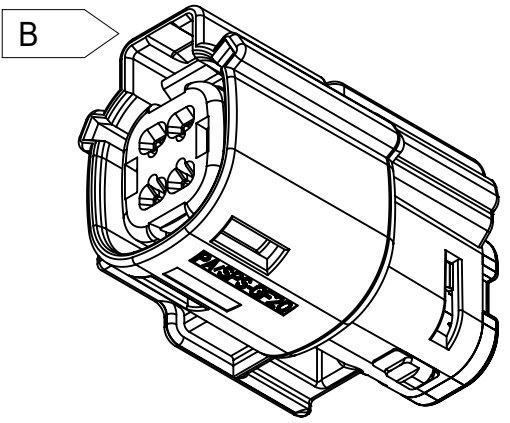


# SHEET DESCRIPTION

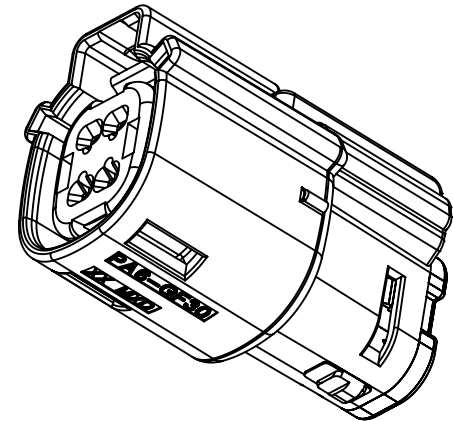
## CONFIGURATIONS



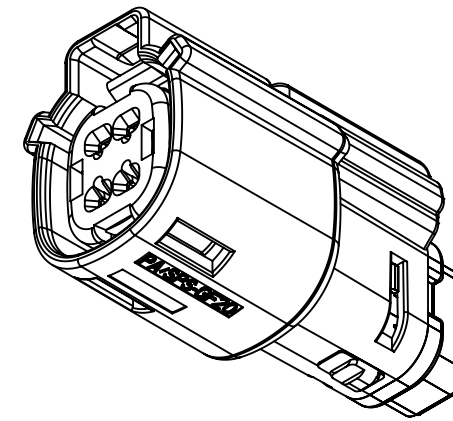
2X2 - STD.  
2X2 - TRNS. - SILICONE FREE †



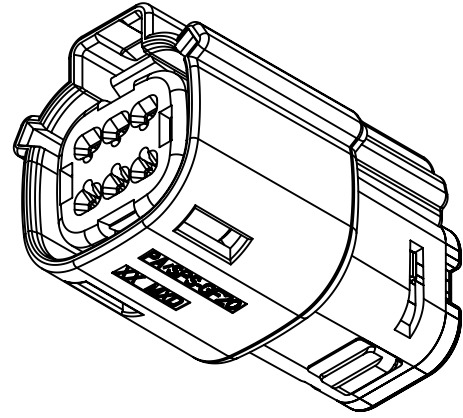
2X2 - STD. - WITH CLIPSLOT \*



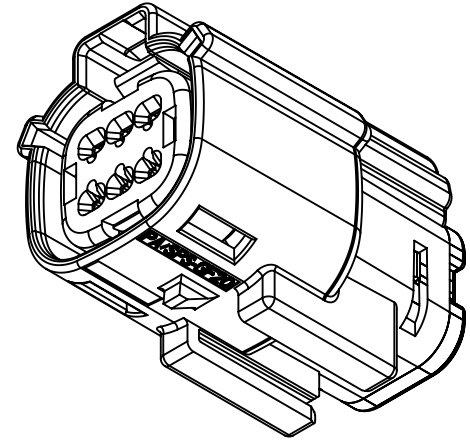
† 2X2 - UL V0



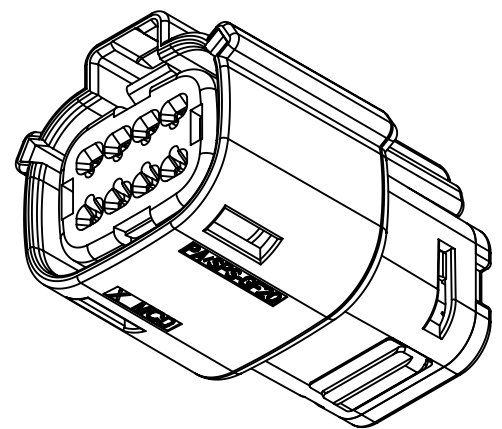
2X2 - STD. - LENGTHENED



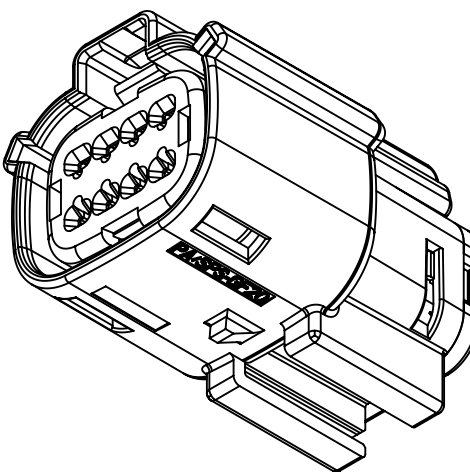
2X3 - STD.  
2X3 - TRNS. - CONTAINS SILICONE †



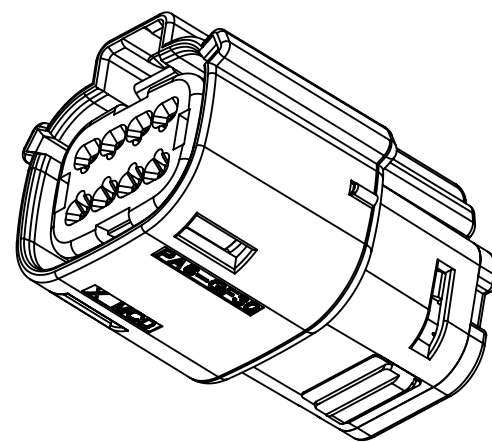
2X3 - STD. - WITH CLIPSLOT \*



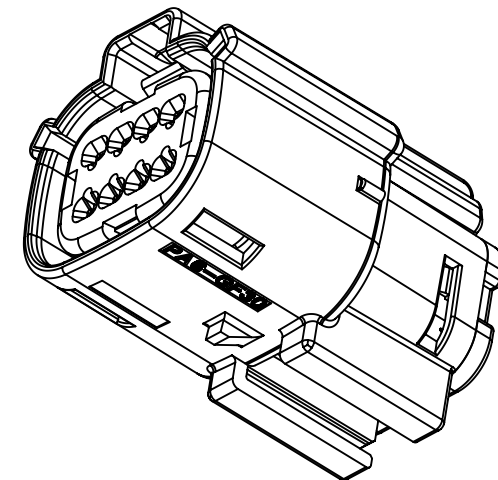
2X4 - STD.



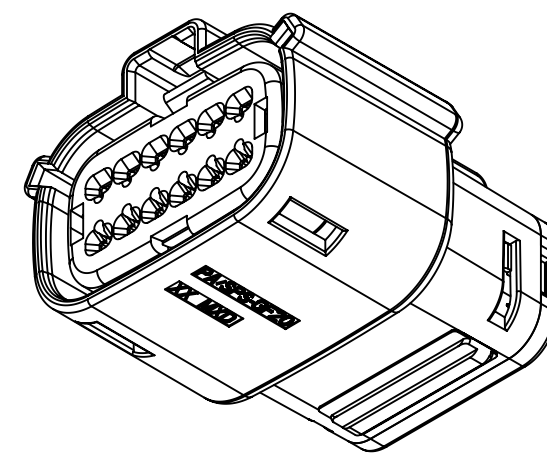
2X4 - STD. - WITH CLIPSLOT \*



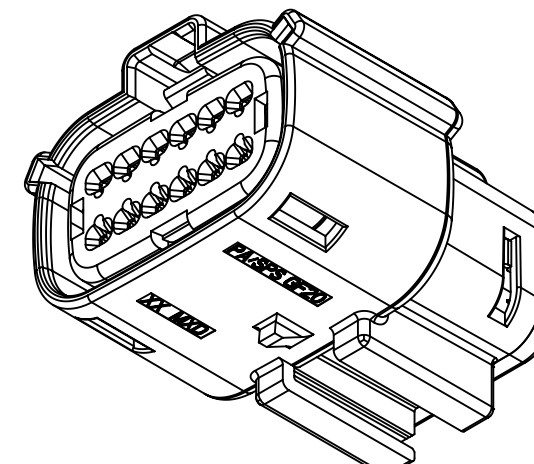
† 2X4 - UL V0



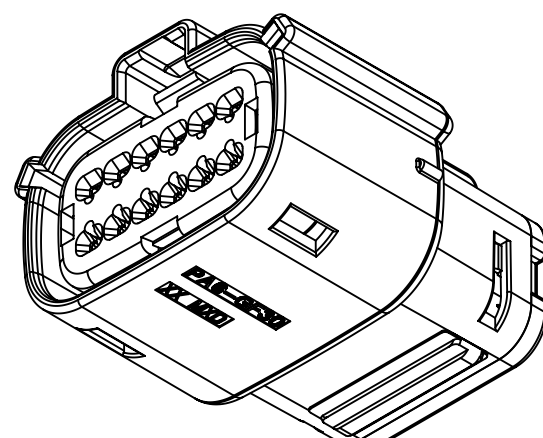
† 2X4 - UL V0-WITH CLIPSLOT\*



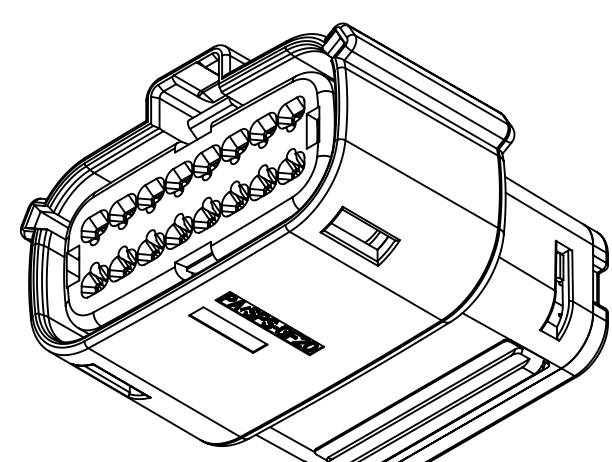
2X6 - STD.



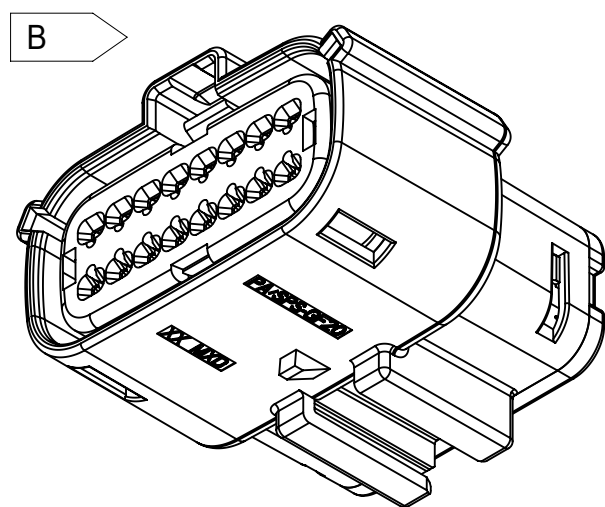
2X6 - STD. - WITH CLIPSLOT \*



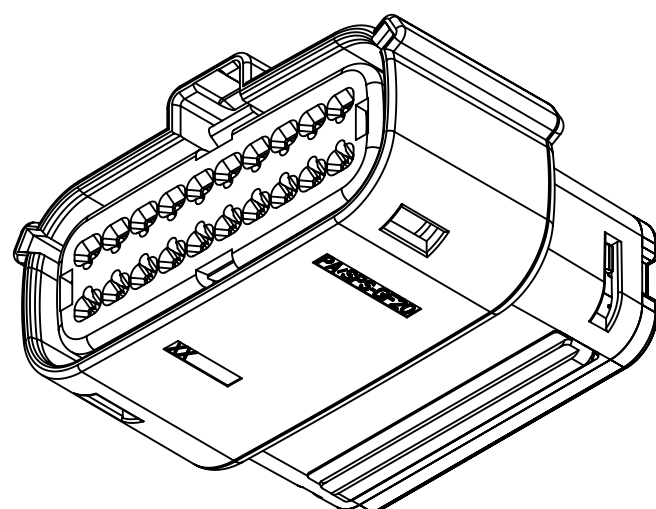
† 2X6 - UL V0



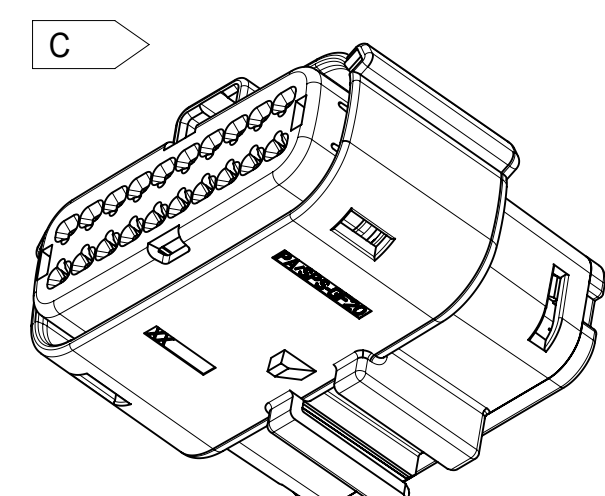
2X8 - STD.



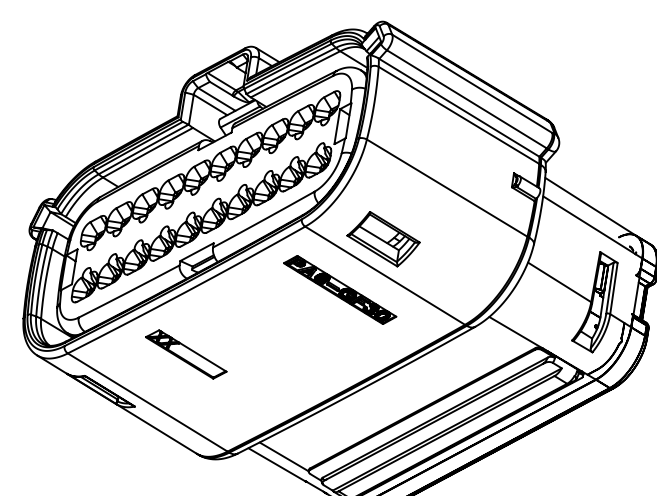
2X8 - STD. - WITH CLIPSLOT \*



2X10 - STD.



2X10 - STD. - WITH CLIPSLOT \*



† 2X10 - UL V0

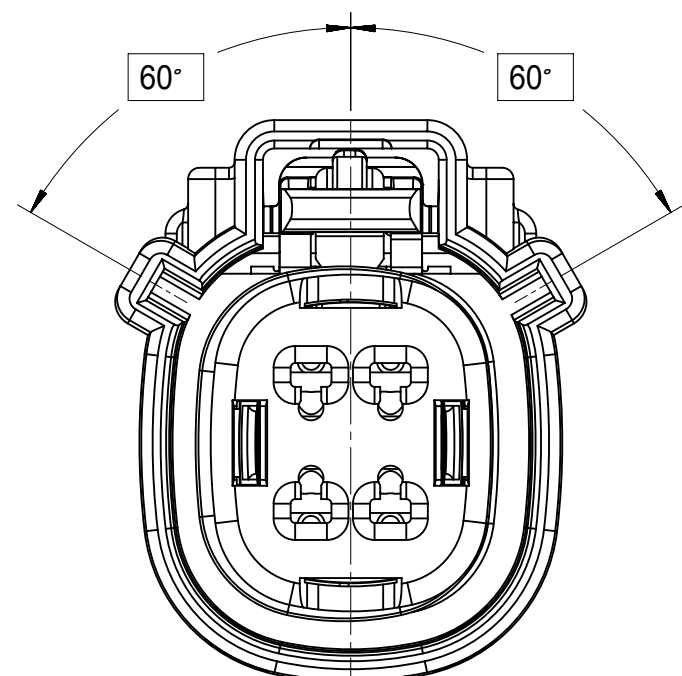
\* WITH CLIPSLOT CONFIGURATION DOES NOT MEET THE USCAR PACKAGING FRAME REQUIREMENTS  
† MINOR GEOMETRY DIFFERENCE THAN STANDARD CONFIGURATION  
SEE NOTES 1a & 2a-b FOR MORE INFORMATION

| SYMBOLS |     | THIS DRAWING CONTAINS INFORMATION THAT IS PROPRIETARY TO MOLEX ELECTRONIC TECHNOLOGIES, LLC AND SHOULD NOT BE USED WITHOUT WRITTEN PERMISSION |       | CURRENT REV DESC:              |  | molex                             |  |
|---------|-----|---|-------|--------------------------------|--|-----------------------------------|--|
|         | = 0 | DIMENSION UNITS   | SCALE |                                |  | MX150 RCPT                        |  |
|         | = 0 | mm  | 1:1   |                                |  | DUAL ROW SEALED ASSEMBLY MAT SEAL |  |
|         | = 0 | GENERAL TOLERANCES (UNLESS SPECIFIED)   |       | EC NO: 171650                  |  | PRODUCT CUSTOMER DRAWING          |  |
|         | = 0 | ANGULAR TOL ± 1.0°  |       | DRWN: DDEB 2018/01/19          |  | DOCUMENT NUMBER                   |  |
|         | = 0 | 4 PLACES ±  |       | CHK'D: MVANSLAMBROU 2018/02/16 |  | DOC TYPE   DOC PART   REVISION    |  |
|         | = 0 | 3 PLACES ±  |       | APPR: MVANSLAMBROU 2018/02/16  |  | SD-33472-0001                     |  |
|         | = 0 | 2 PLACES ± 0.1  |       | INITIAL REVISION:              |  | PSD 001 C2                        |  |
|         | = 0 | 1 PLACE ± 0.2   |       | DRWN: APROFFITT 2014/05/14     |  | MATERIAL NUMBER                   |  |
|         | = 0 | 0 PLACES ±  |       | APPR: VKOSHY 2014/06/27        |  | CUSTOMER                          |  |
|         | = 0 | DRAFT WHERE APPLICABLE MUST REMAIN WITHIN DIMENSIONS  |       | THIRD ANGLE PROJECTION         |  | GENERAL MARKET                    |  |
|         | = 0 |   |       | DRAWING                        |  | SHEET NUMBER                      |  |
|         |     |   |       | A1-SIZE                        |  | 2 OF 11                           |  |
|         |     |   |       | SERIES                         |  |                                   |  |
|         |     |   |       | 33472                          |  |                                   |  |

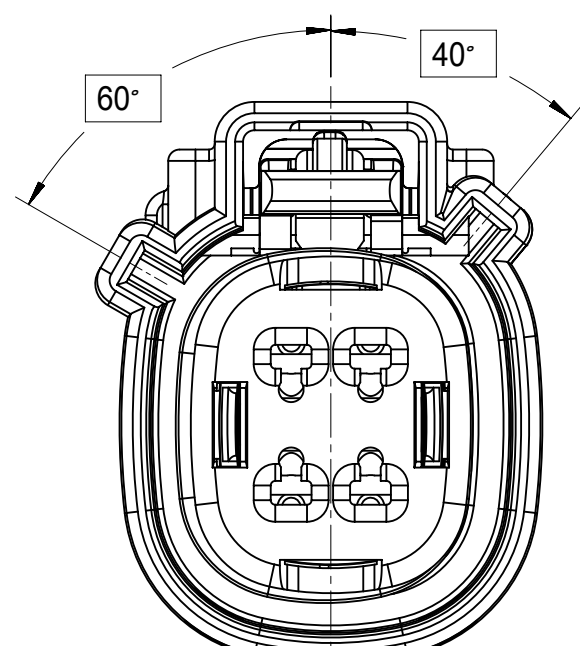
# SHEET DESCRIPTION

KEY CONFIGURATIONS

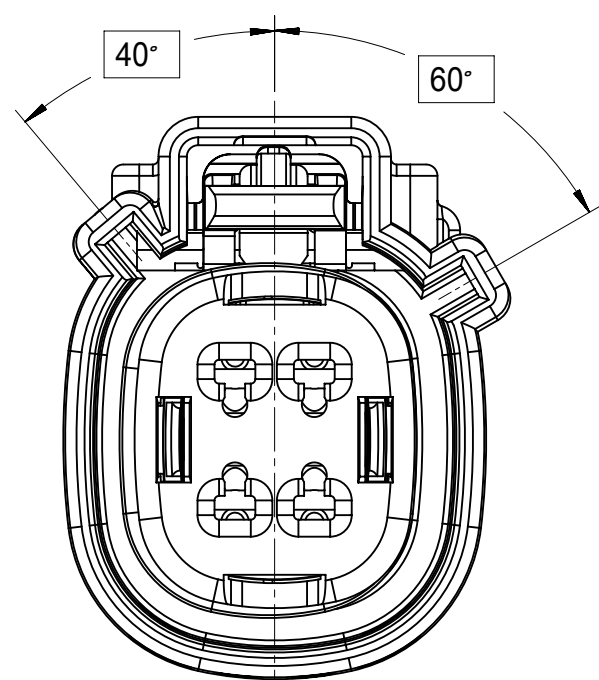
## 2X2



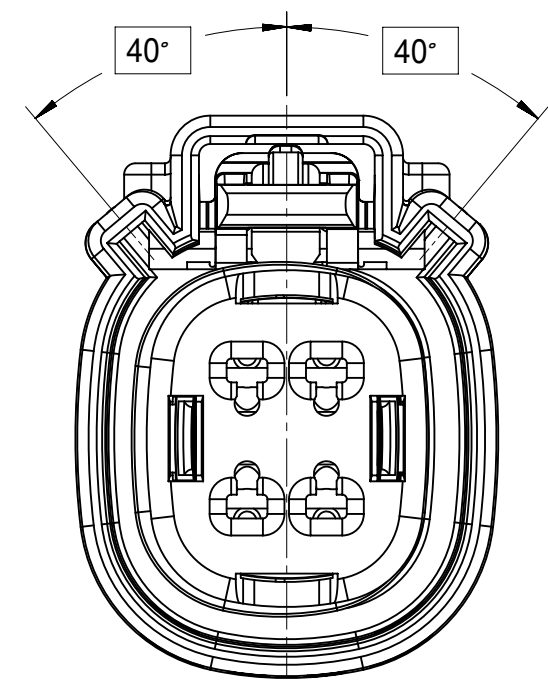
KEY A



KEY B

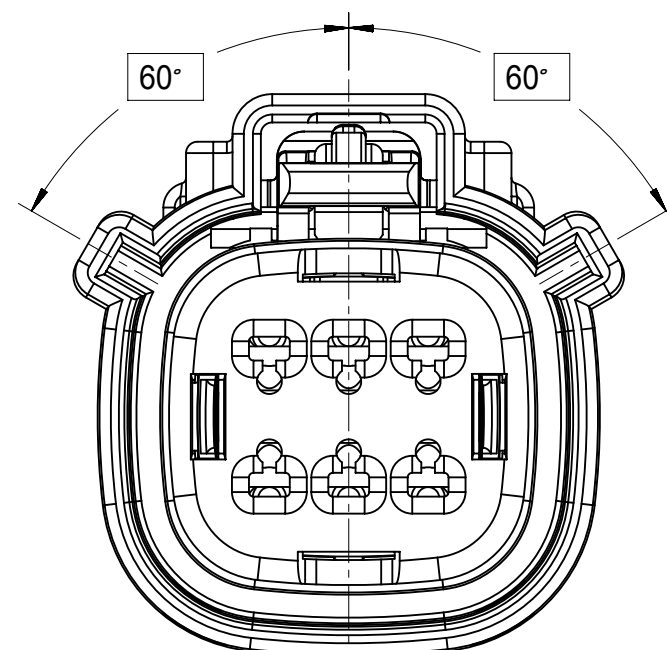


KEY C

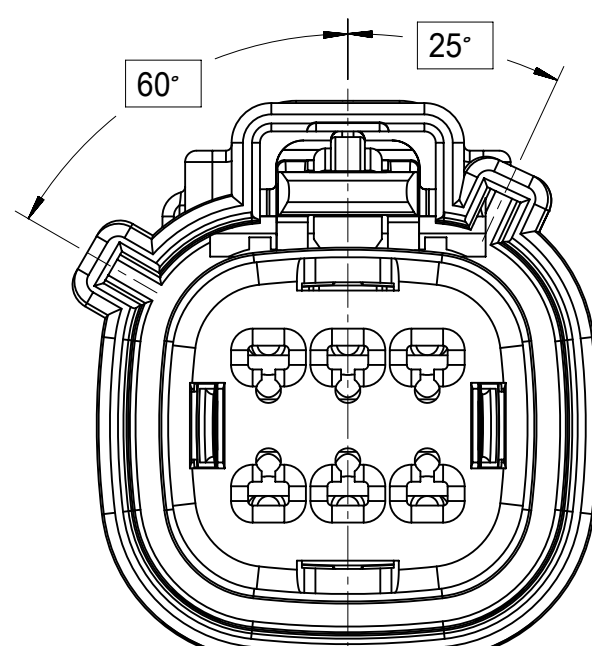


KEY D

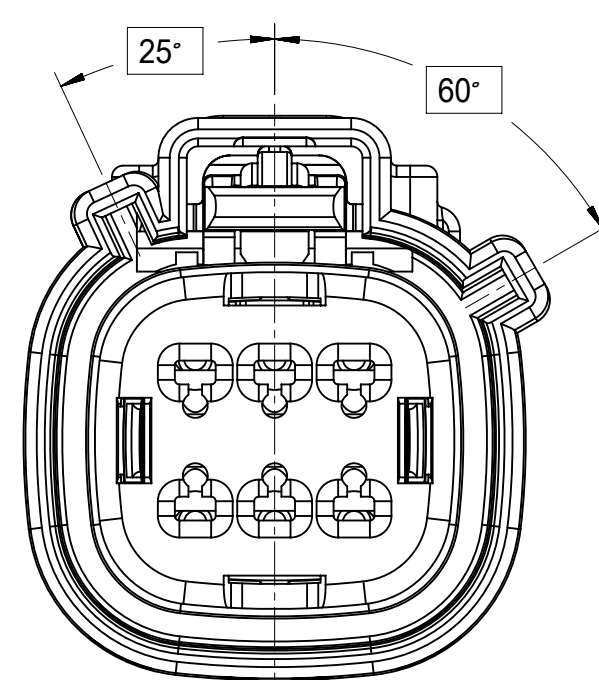
## 2X3



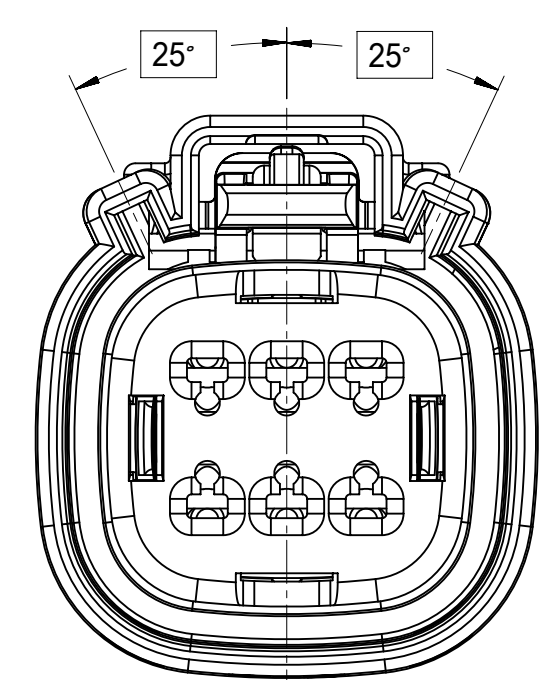
KEY A



KEY B

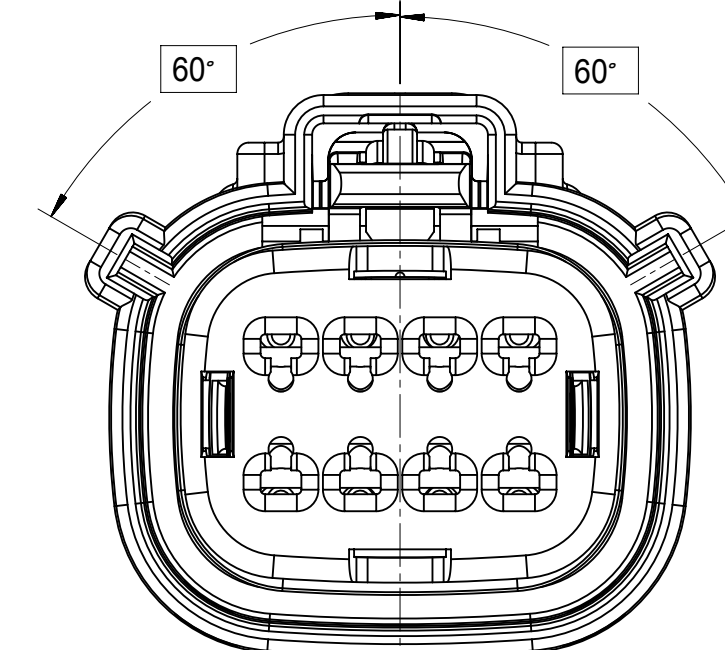


KEY C

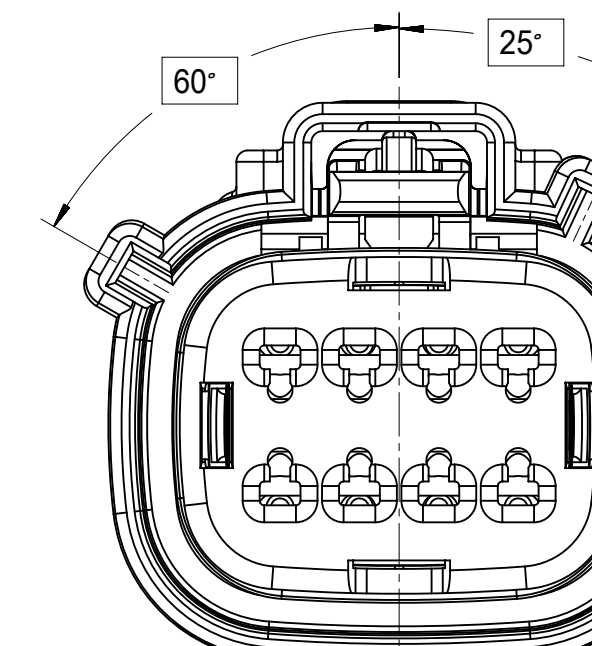


KEY D

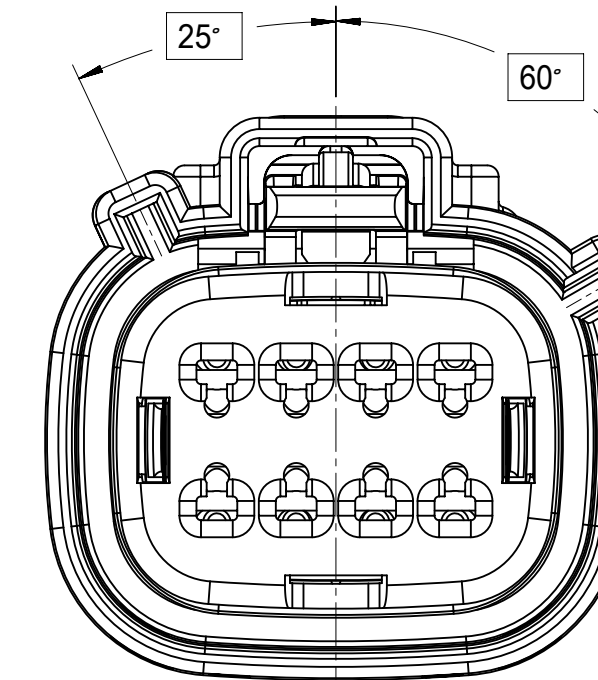
## 2X4



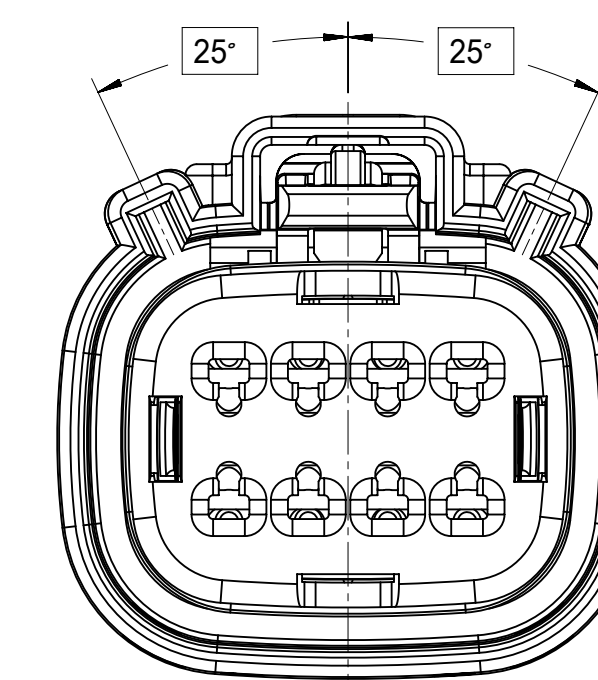
KEY A



KEY B



KEY C



KEY D

|  |  |  |   |                          |                  |                          |
|--|--|--|---|--------------------------|------------------|--------------------------|
| <b>SYMBOLS</b><br>= 0<br>= 0<br>= 0<br>= 0<br>= 0<br>= 0<br>= 0<br>= 0<br>= 0<br>= 0 | THIS DRAWING CONTAINS INFORMATION THAT IS PROPRIETARY TO MOLEX ELECTRONIC TECHNOLOGIES, LLC AND SHOULD NOT BE USED WITHOUT WRITTEN PERMISSION<br>DIMENSION UNITS: <b>mm</b><br>SCALE: <b>1:1</b> | CURRENT REV DESC:<br>EC NO: 171650<br>DRWN: DDEB 2018/01/19<br>CHK'D: MVANSLAMBROU 2018/02/16<br>APPR: MVANSLAMBROU 2018/02/16 |   |                          |                  |                          |
|  | GENERAL TOLERANCES (UNLESS SPECIFIED)<br>ANGULAR TOL ± 1.0°<br>4 PLACES ±<br>3 PLACES ±<br>2 PLACES ± 0.1<br>1 PLACE ± 0.2<br>0 PLACES ±   | INITIAL REVISION:<br>DRWN: APROFFITT 2014/05/14<br>APPR: VKOSHY 2014/06/27   | DOCUMENT NUMBER: <b>SD-33472-0001</b><br>DOC TYPE: PSD<br>DOC PART: 001<br>REVISION: C2 | PRODUCT CUSTOMER DRAWING | MATERIAL NUMBER: | CUSTOMER: GENERAL MARKET |
| DRAFT WHERE APPLICABLE MUST REMAIN WITHIN DIMENSIONS<br>THIRD ANGLE PROJECTION<br>   | DRAWING: <b>A1-SIZE</b><br>SERIES: <b>33472</b>  | THIRD ANGLE PROJECTION   | CUSTOMER:   | SHEET NUMBER:            | SHEET NUMBER:    | SHEET NUMBER:            |



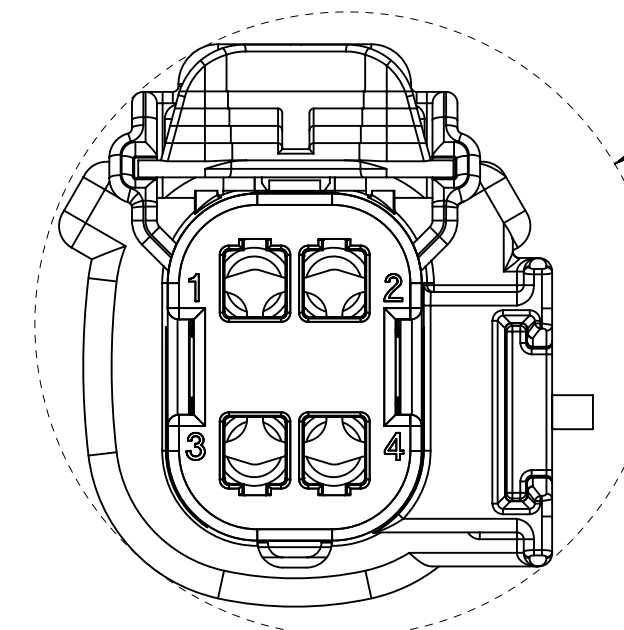
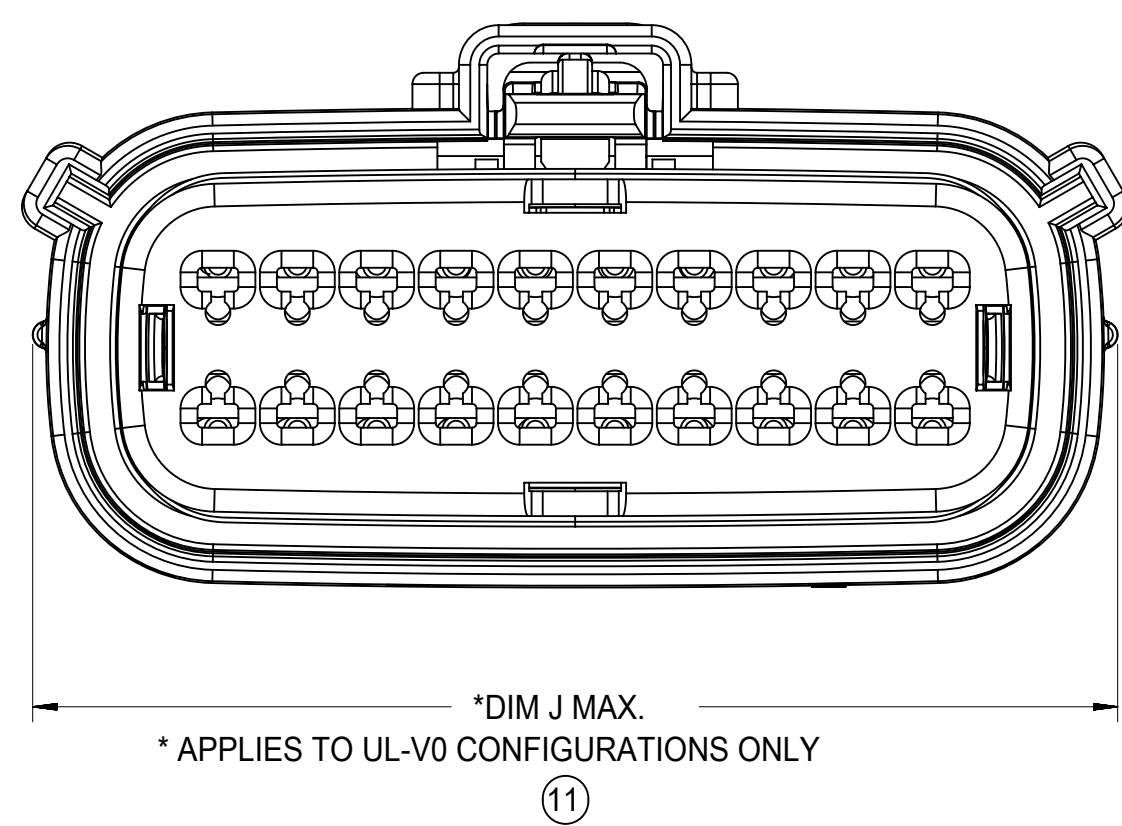


# SHEET DESCRIPTION

RECEPTACLE CONNECTOR ASSEMBLY

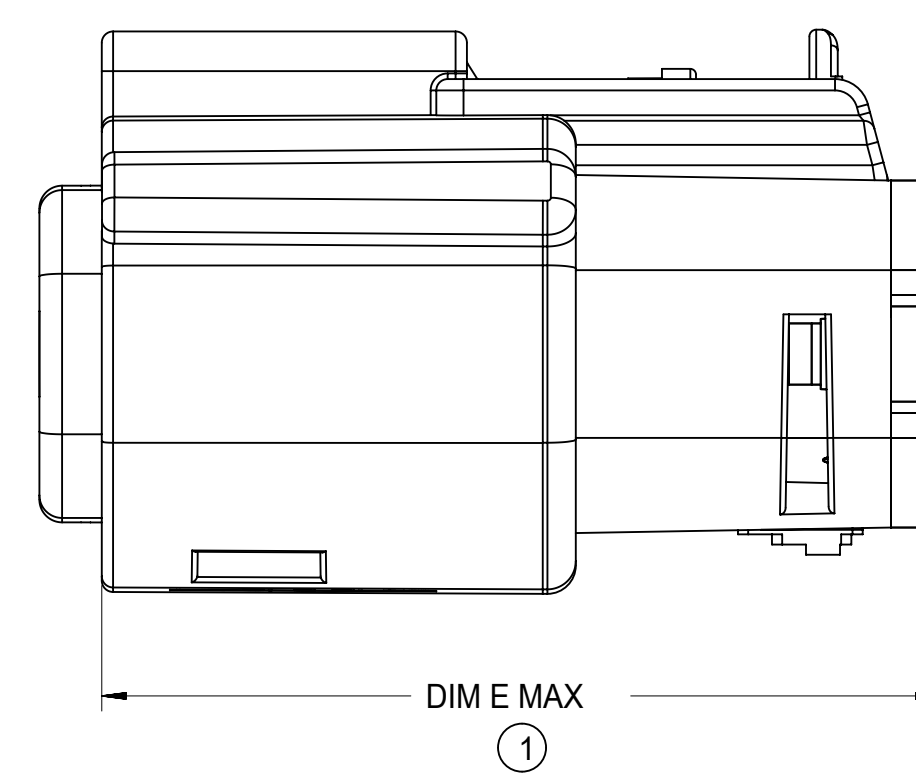
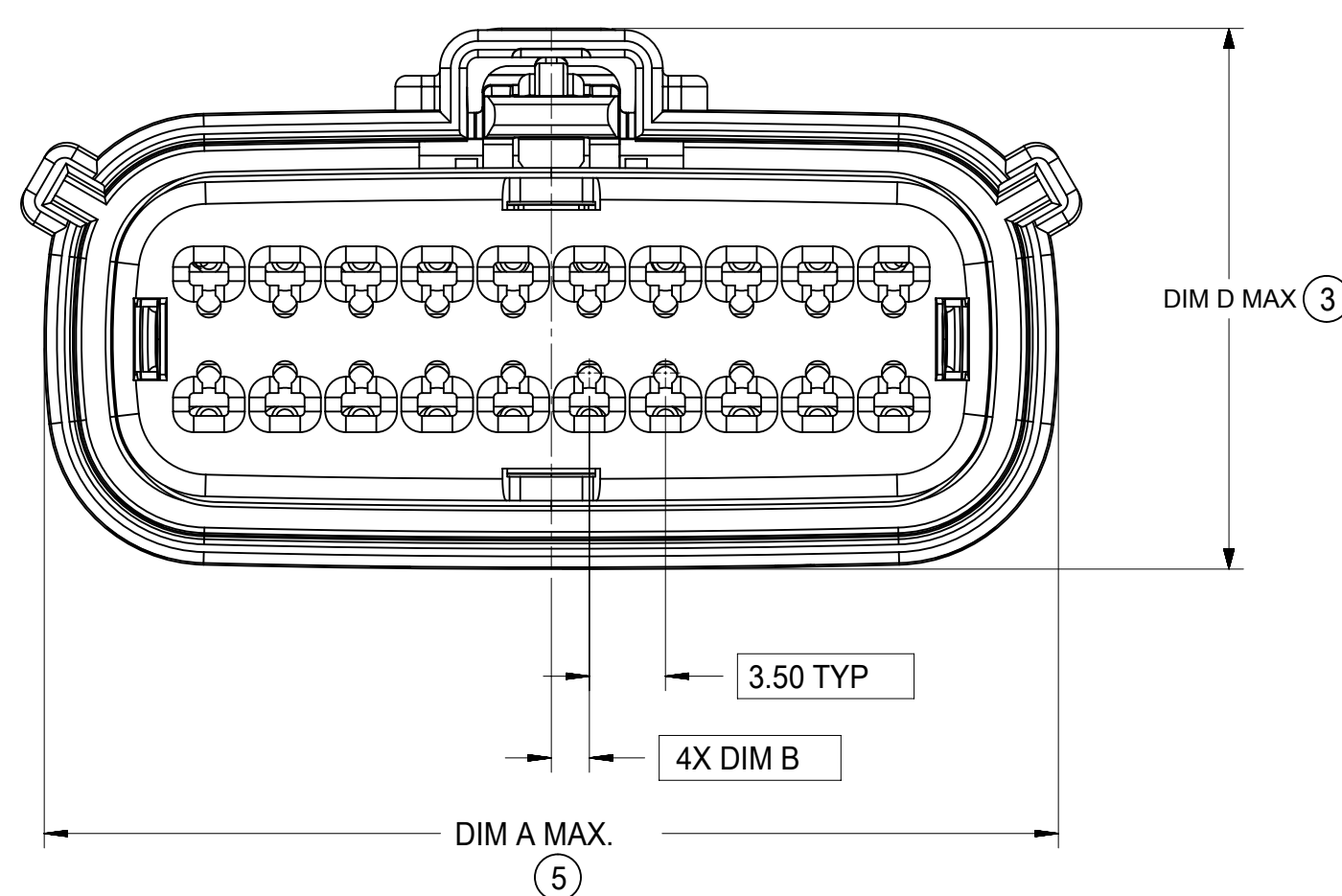
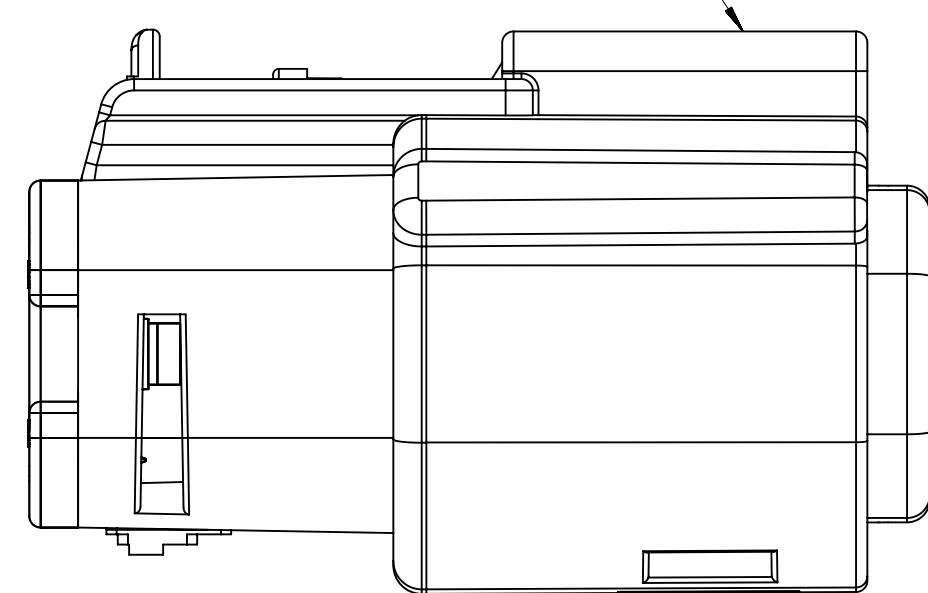
# CHARTED DIMENSIONS

| DESCRIPTION         | DIMENSIONS |      |       |       |       |       |           |
|---------------------|------------|------|-------|-------|-------|-------|-----------|
|                     | A          | B    | C     | D     | E     | F     | J         |
| 2X2 W/O CLIPSLOT    | 18.58      | 1.75 | 25.45 | 24.81 | 37.65 | N/A   | 2.75±0.50 |
| 2X2 W/ CLIPSLOT     | 18.58      | 1.75 | 27.65 | 24.81 | 37.65 | N/A   | 2.75±0.50 |
| 2X2 LENGTHENED      | 18.58      | 1.75 | 25.45 | 24.81 | 42.25 | N/A   | 2.75±0.50 |
| 2X3 W/ CLIPSLOT     | 22.25      | 3.5  | 30.50 | N/A   | 37.65 | 27.96 | 4.0±0.4   |
| 2X3 W/O CLIPSLOT    | 22.25      | 3.5  | 26.24 | 24.90 | 37.65 | N/A   | 4.0±0.4   |
| 2X4 W/ CLIPSLOT     | 25.75      | 1.75 | 31.50 | N/A   | 37.65 | 28.00 | 2.75±0.50 |
| 2X4 W/O CLIPSLOT    | 25.75      | 1.75 | 29.19 | 24.81 | 37.65 | N/A   | 2.75±0.50 |
| 2X6 W/ CLIPSLOT     | 32.75      | 1.75 | 35.58 | N/A   | 37.65 | 27.76 | 2.75±0.50 |
| 2X6 W/O CLIPSLOT    | 32.75      | 1.75 | 35.58 | 24.90 | 37.65 | N/A   | 2.75±0.50 |
| 2X6 W/O CLIPSLOT V0 | 32.75      | 1.75 | 35.58 | 25.0  | 37.65 | N/A   | 2.75±0.50 |
| 2X8 W/O CLIPSLOT    | 39.80      | 1.75 | 42.25 | 24.90 | 37.65 | N/A   | 4.0±0.4   |
| 2X8 W/ CLIPSLOT     | 39.80      | 1.75 | 42.25 | N/A   | 37.65 | 27.80 | 4.0±0.4   |
| 2X10 W/O CLIPSLOT   | 46.75      | 1.75 | 49.95 | 24.90 | 37.65 | N/A   | 2.75±0.50 |
| 2X10 W/ CLIPSLOT    | 46.75      | 1.75 | 49.95 | N/A   | 37.65 | 27.80 | 2.75±0.50 |

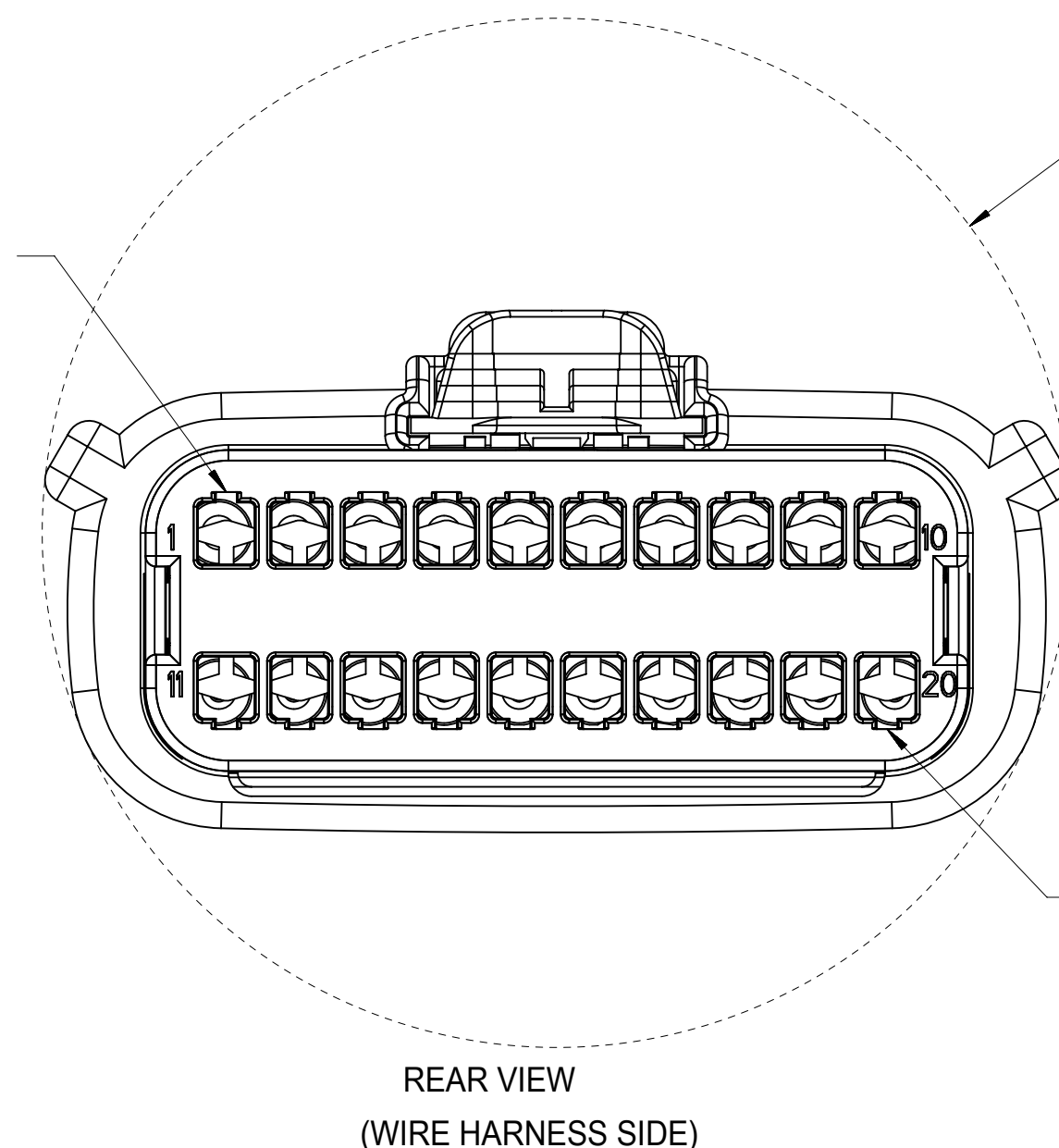


B APPLIES TO 2X2 - STD. - WITH CLIPSLOT ONLY

LASER MARKING ON THIS SURFACE  
SEE NOTE 3g.



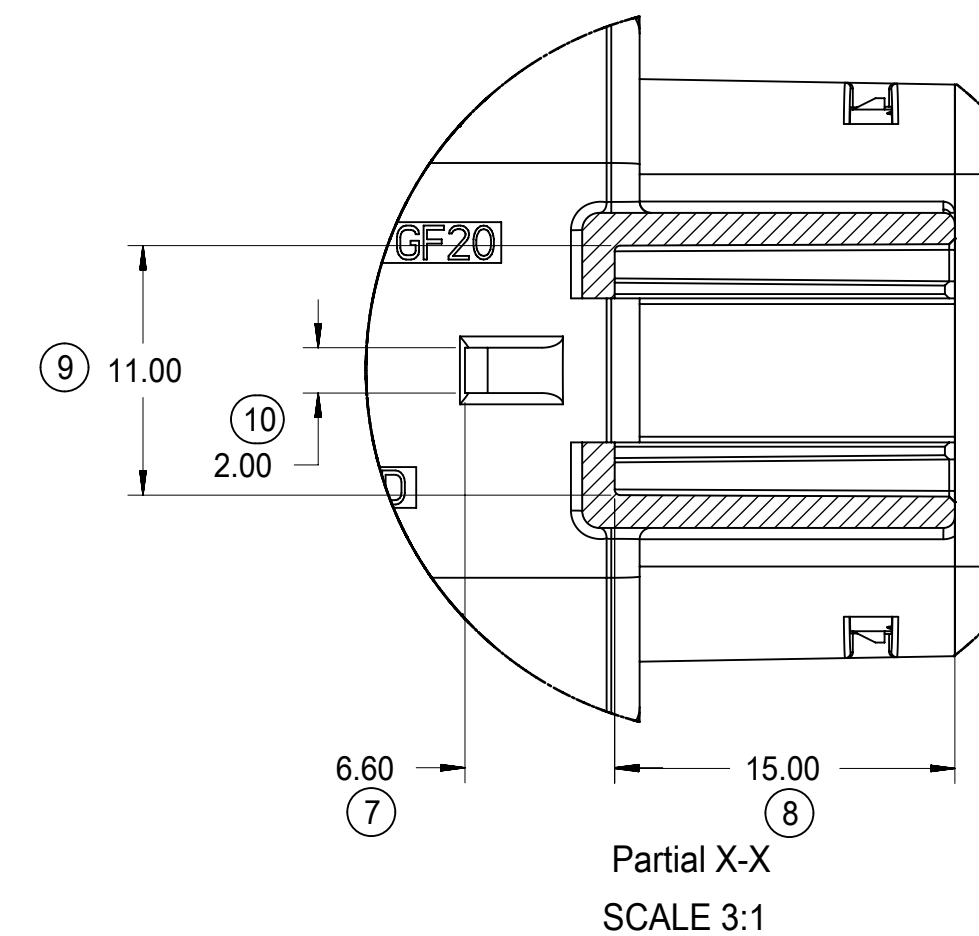
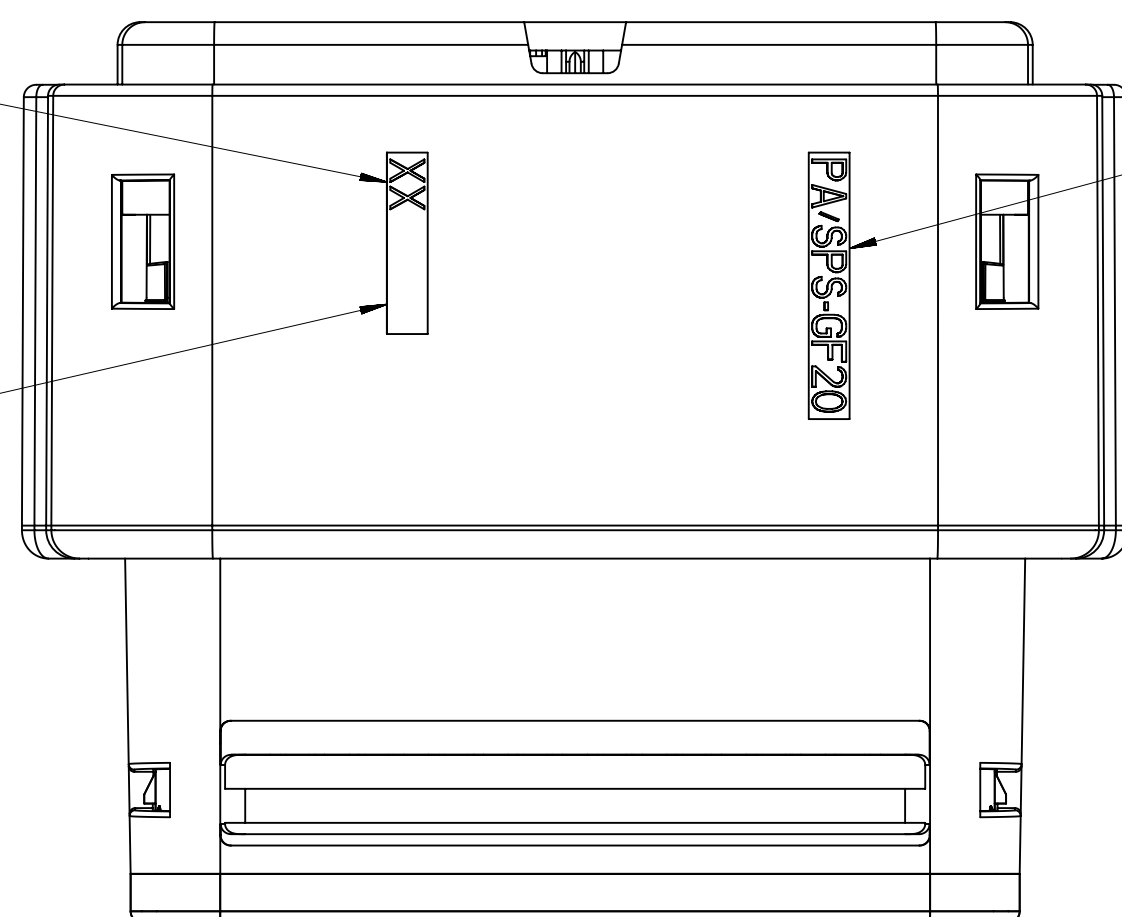
TERMINAL POSITION 1



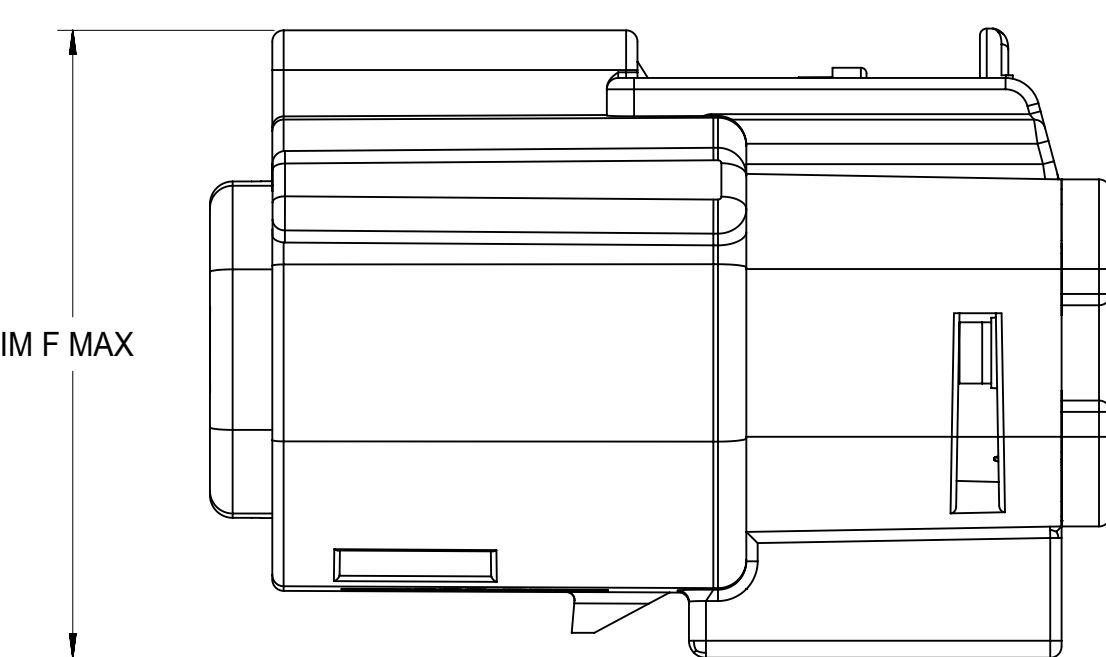
MOLD CAVITY I.D.  
THIS LOCATION

RECYCLE CODE  
THIS LOCATION

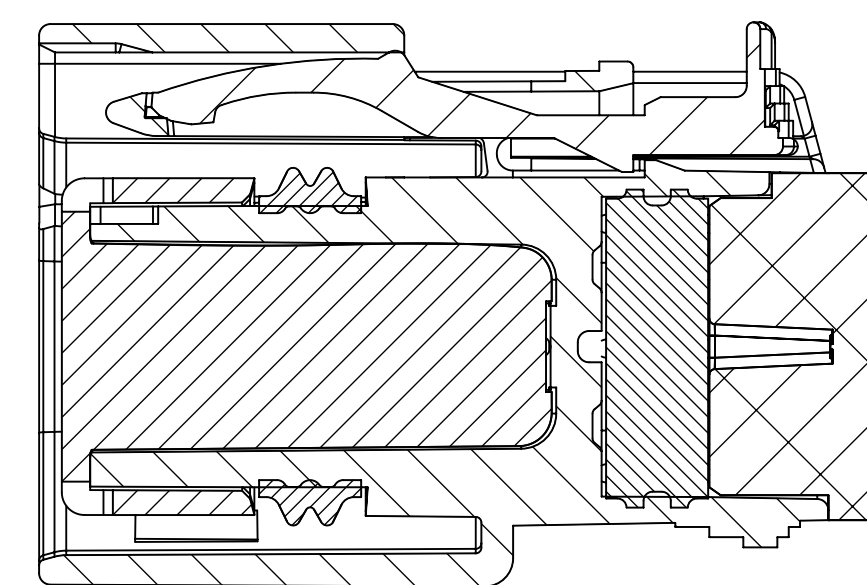
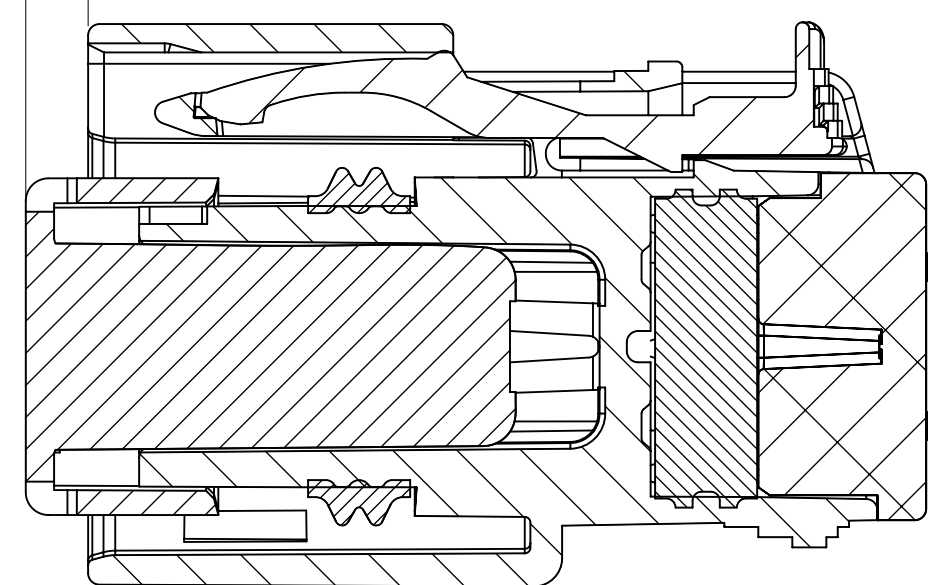
MANUFACTURING LOCATION  
CODE THIS LOCATION



④ DIM F MAX



DIM G ⑥



SECTION Y-Y

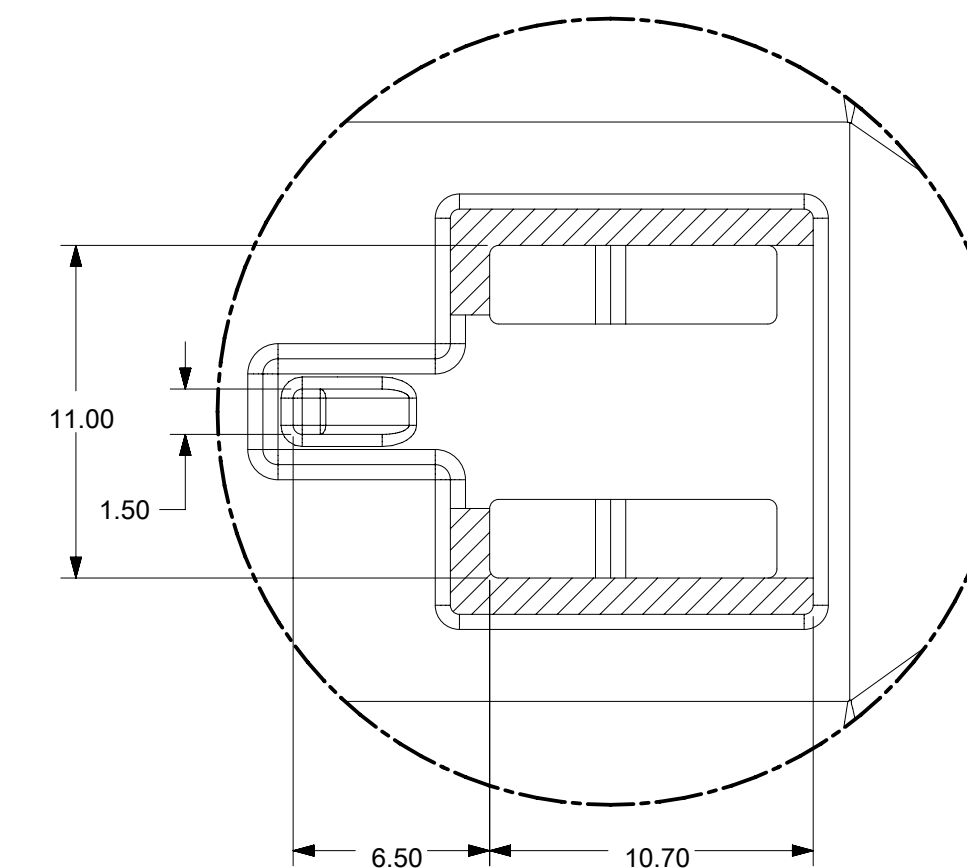
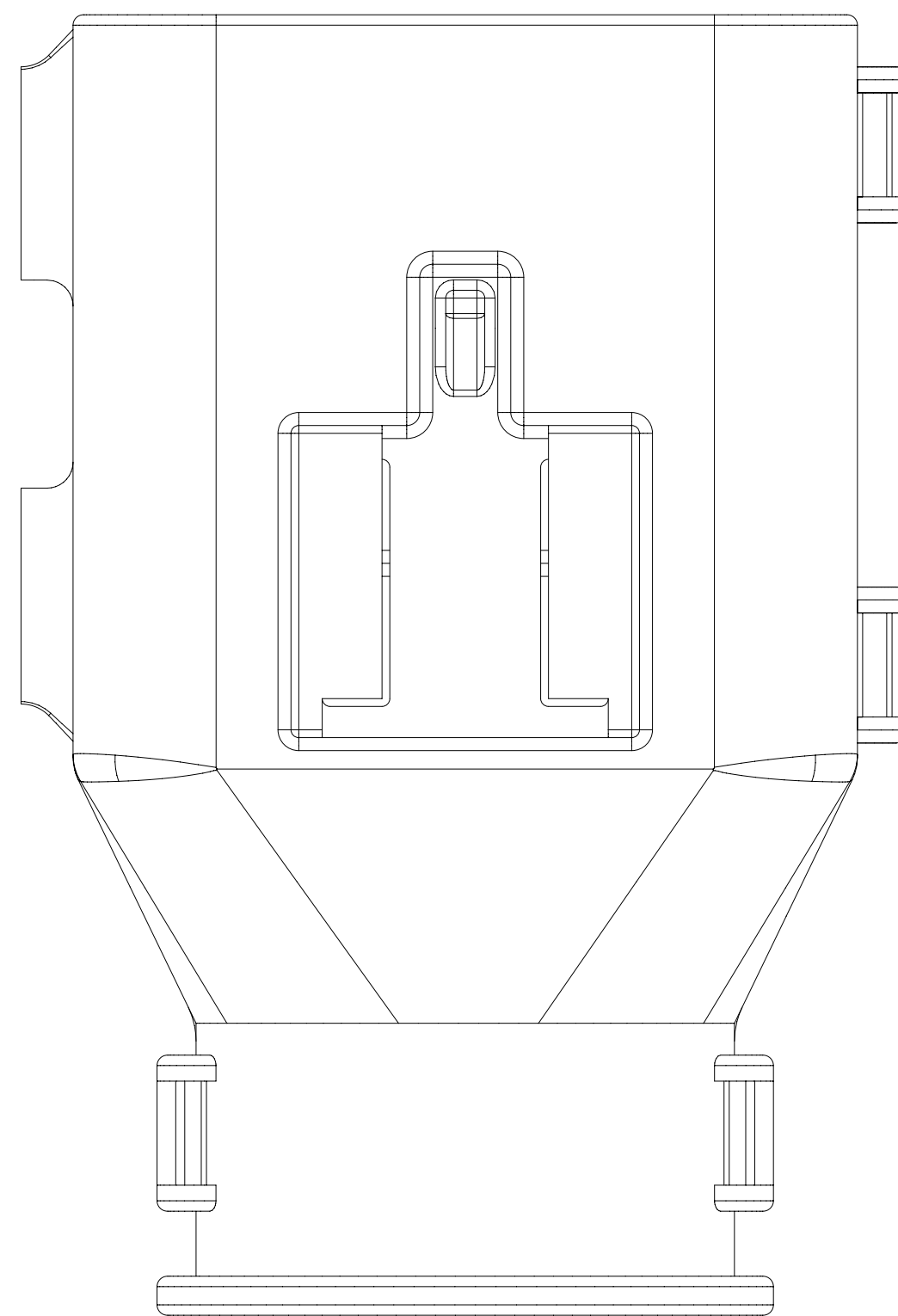
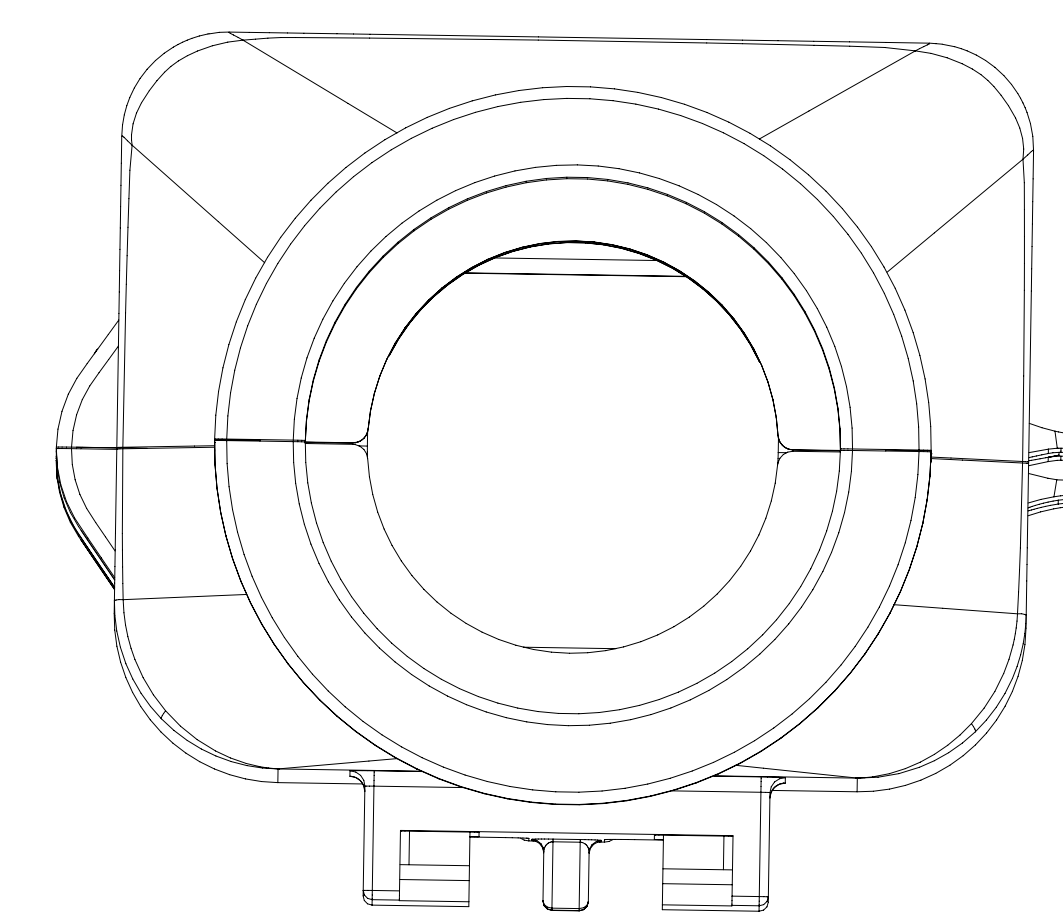
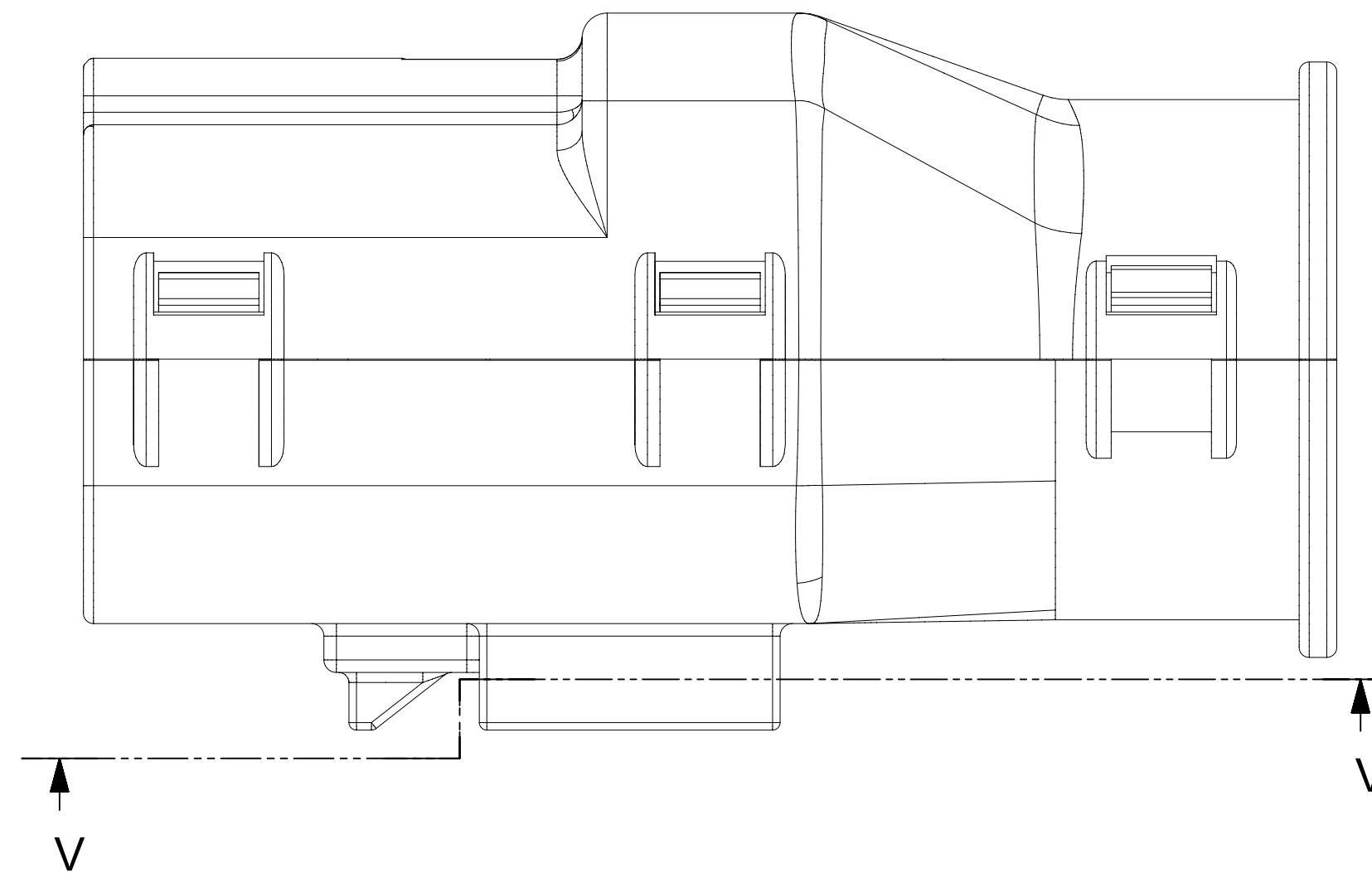
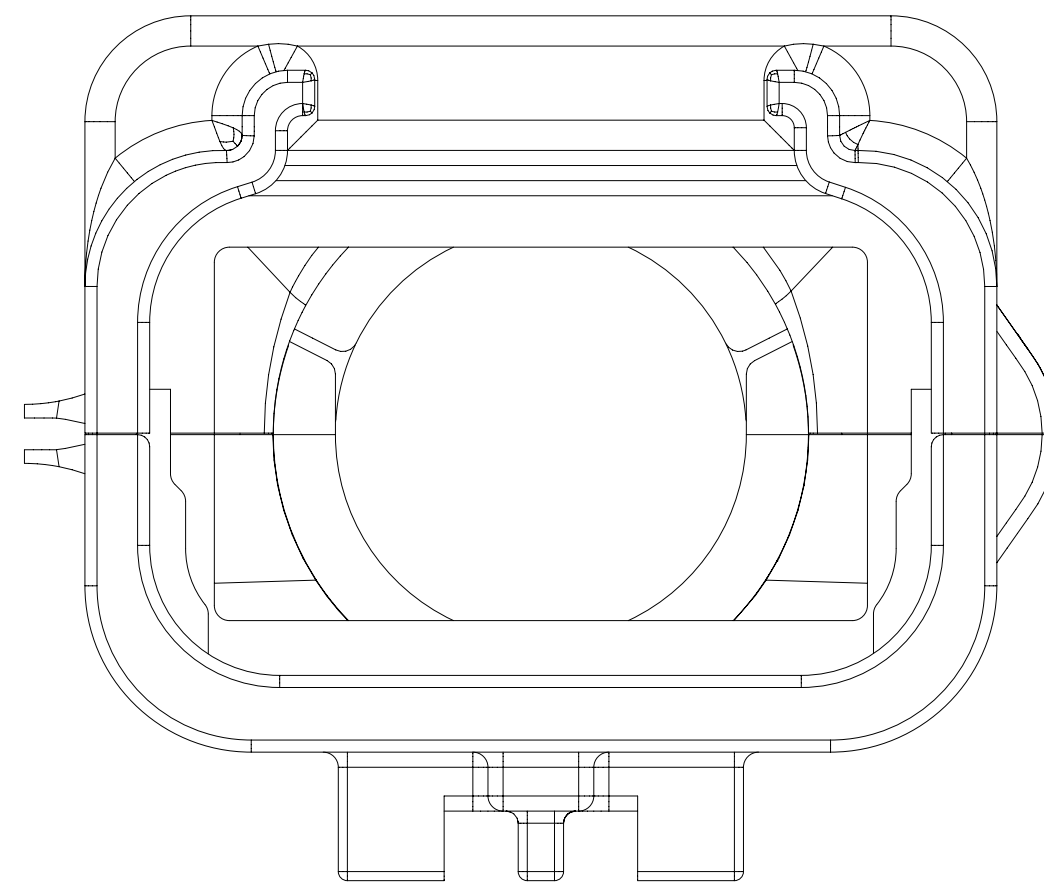
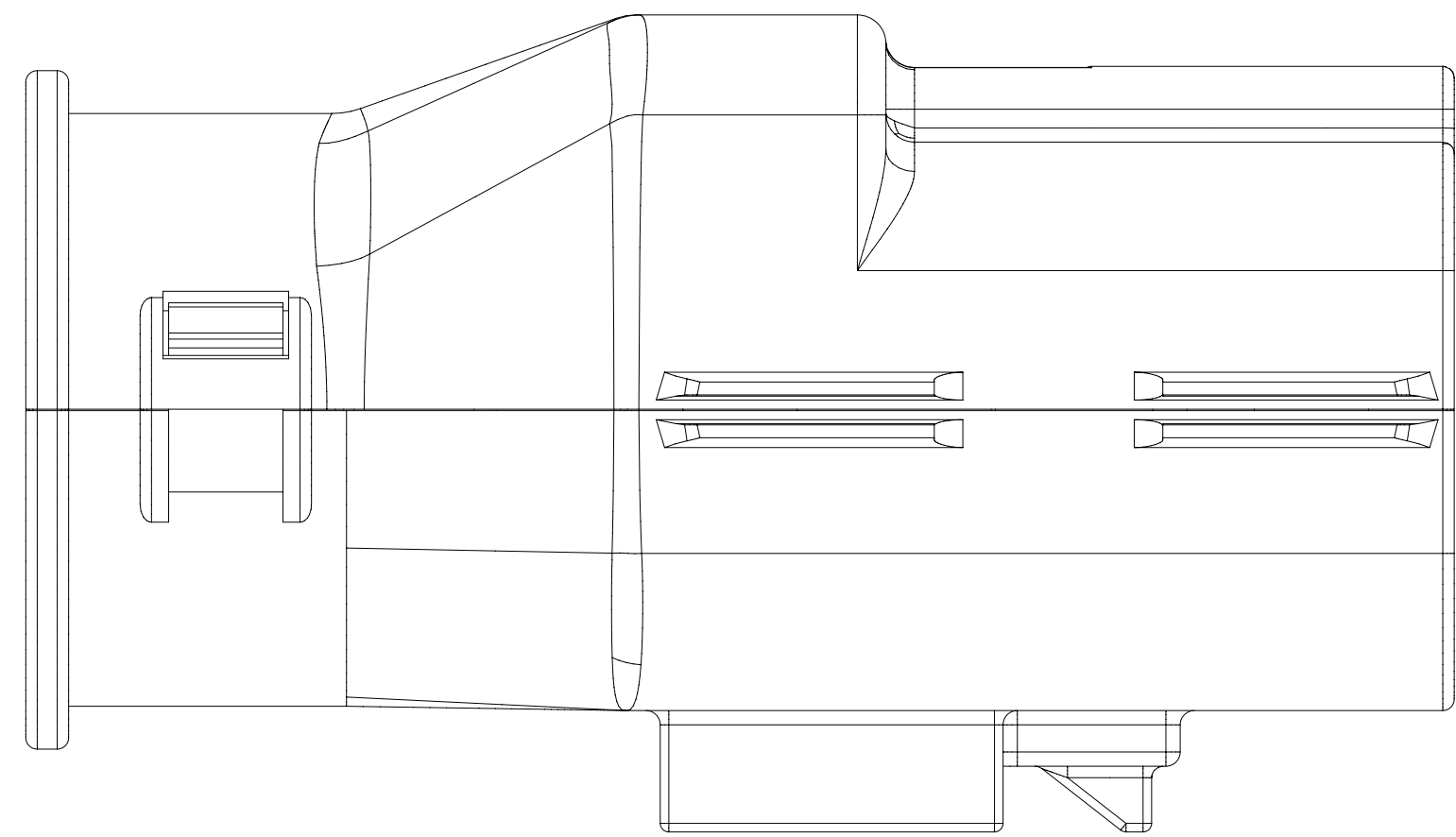
SECTION Z-Z

|  |  |   |   |  |
|--|--|---|---|--|
| <b>SYMBOLS</b><br>THIS DRAWING CONTAINS INFORMATION THAT IS PROPRIETARY TO MOLEX ELECTRONIC TECHNOLOGIES, LLC AND SHOULD NOT BE USED WITHOUT WRITTEN PERMISSION<br>DIMENSION UNITS: mm<br>SCALE: 1:1<br>GENERAL TOLERANCES (UNLESS SPECIFIED):<br>ANGULAR TOL: ± 1.0°<br>4 PLACES ±<br>3 PLACES ±<br>2 PLACES ± 0.1<br>1 PLACE ± 0.2<br>0 PLACES ±<br>DRAFT WHERE APPLICABLE MUST REMAIN WITHIN DIMENSIONS | CURRENT REV DESC:<br>EC NO: 171650<br>DRWN: DDEB 2018/01/19<br>CHK'D: MVANSLAMBROU 2018/02/16<br>APPR: MVANSLAMBROU 2018/02/16<br>INITIAL REVISION:<br>DRWN: APROFFITT 2014/05/14<br>APPR: VKOSHY 2014/06/27 |   | <br>MX150 RCPT<br>DUAL ROW SEALED ASSEMBLY MAT SEAL<br>PRODUCT CUSTOMER DRAWING |  |
|  | DOCUMENT NUMBER: SD-33472-0001<br>DOC TYPE: PSD<br>DOC PART: 001<br>REVISION: C2   | MATERIAL NUMBER: 33472<br>CUSTOMER: GENERAL MARKET<br>SHEET NUMBER: 5 OF 11 |   |  |





**SHEET DESCRIPTION**  
SCHLEMMER BACKSHELL



Partial V-V  
SCALE 4:1

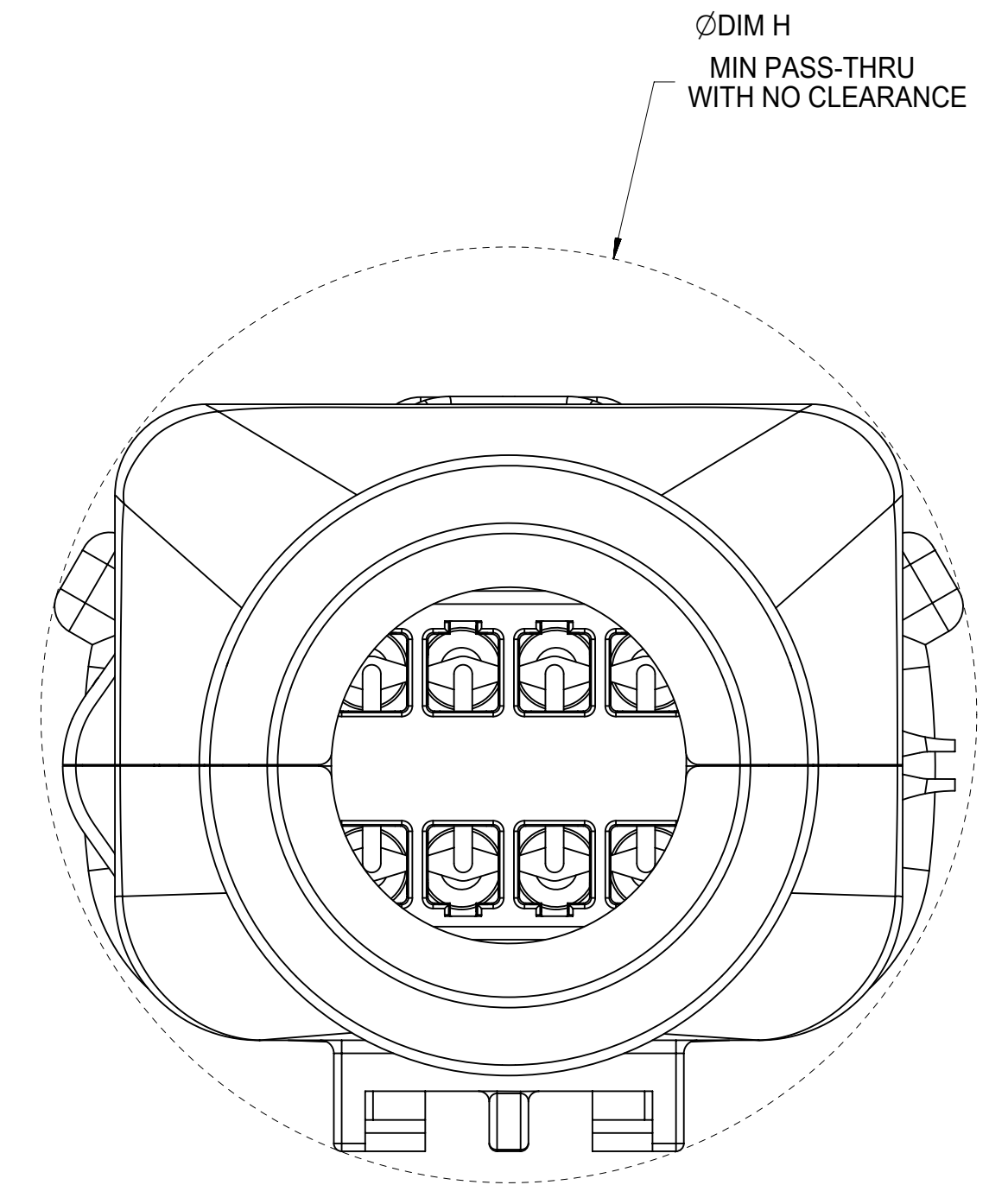
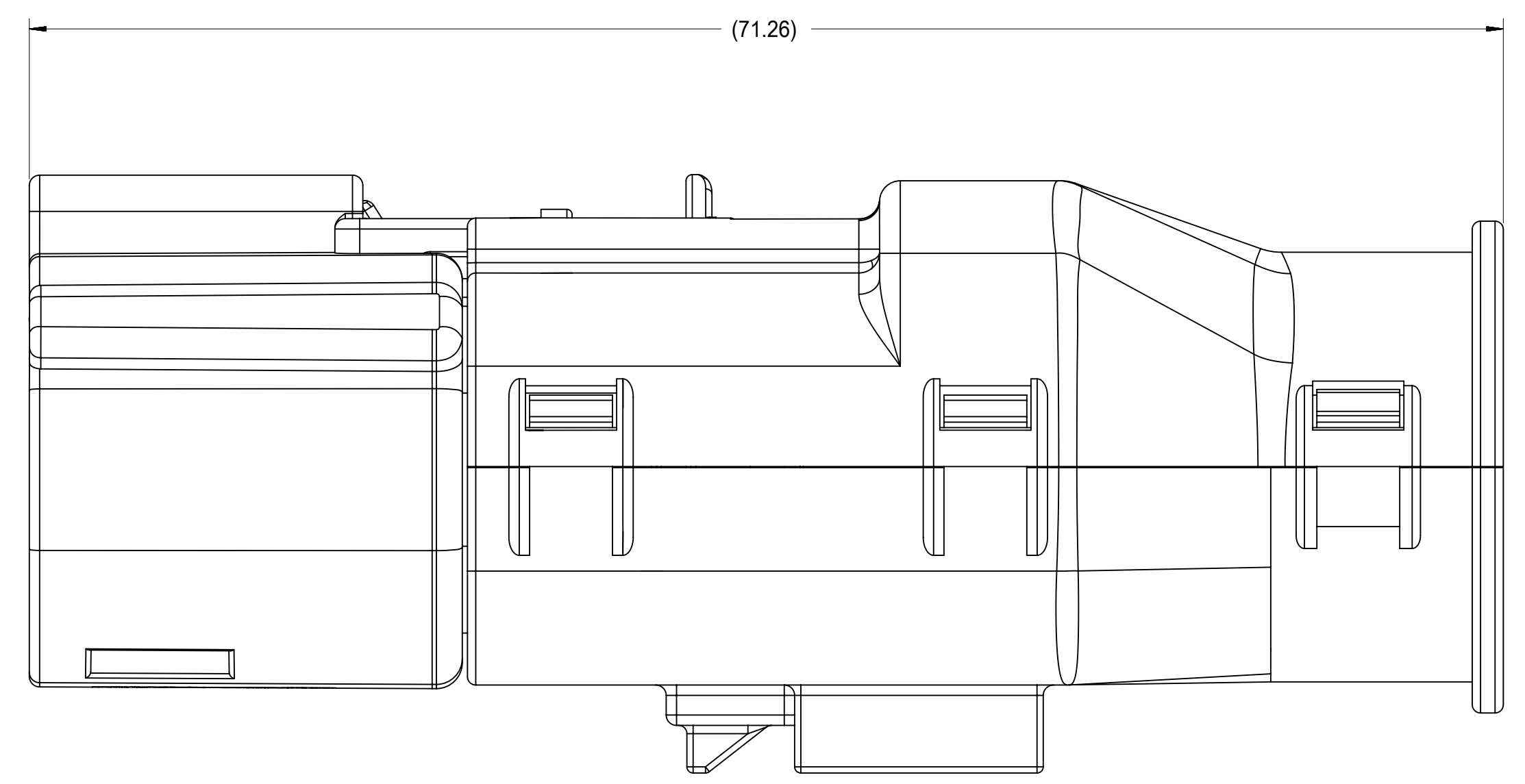
|  |  |  |   |  |                                |
|--|--|--|---|--|--------------------------------|
| <b>SYMBOLS</b><br>= 0<br>= 0<br>= 0<br>= 0<br>= 0<br>= 0<br>= 0<br>= 0<br>= 0<br>= 0 | THIS DRAWING CONTAINS INFORMATION THAT IS PROPRIETARY TO MOLEX ELECTRONIC TECHNOLOGIES, LLC AND SHOULD NOT BE USED WITHOUT WRITTEN PERMISSION<br>DIMENSION UNITS: <b>mm</b><br>SCALE: <b>4:1</b> | CURRENT REV DESC:<br>EC NO: 171650<br>DRWN: DDEB 2018/01/19<br>CHK'D: MVANSLAMBROU 2018/02/16<br>APPR: MVANSLAMBROU 2018/02/16 | <br>MX150 RCPT<br>DUAL ROW SEALED ASSEMBLY MAT SEAL |  |                                |
|  | GENERAL TOLERANCES (UNLESS SPECIFIED)<br>ANGULAR TOL ± 1.0°  | INITIAL REVISION:<br>DRWN: APROFFITT 2014/05/14<br>APPR: VKOSHY 2014/06/27   |   |  |                                |
|  | DRAFT WHERE APPLICABLE<br>MUST REMAIN WITHIN DIMENSIONS  | THIRD ANGLE PROJECTION<br>   | DRAWING: <b>A1-SIZE</b><br>SERIES: <b>33472</b>     | MATERIAL NUMBER<br>CUSTOMER: <b>GENERAL MARKET</b> | SHEET NUMBER<br><b>7 OF 11</b> |





| SHEET DESCRIPTION                  |  |
|------------------------------------|--|
| SCHLEMMER BACKSHELL CONFIGURATIONS |  |

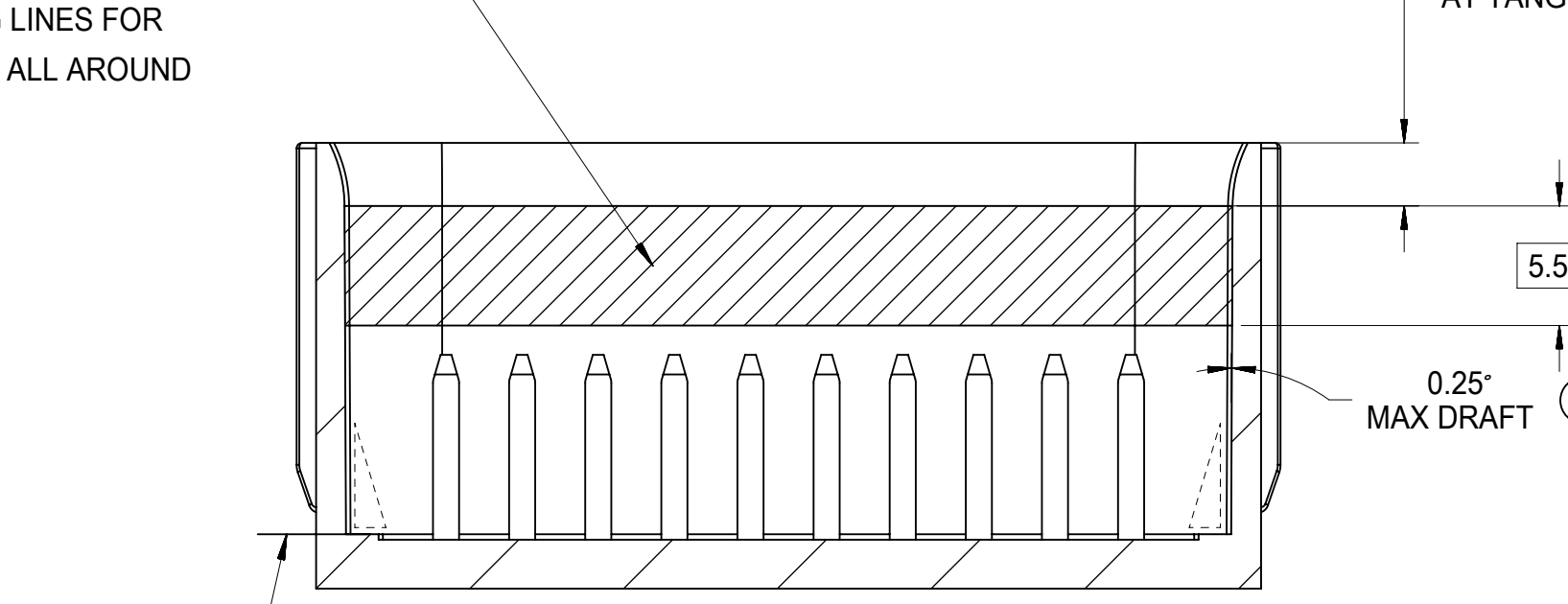
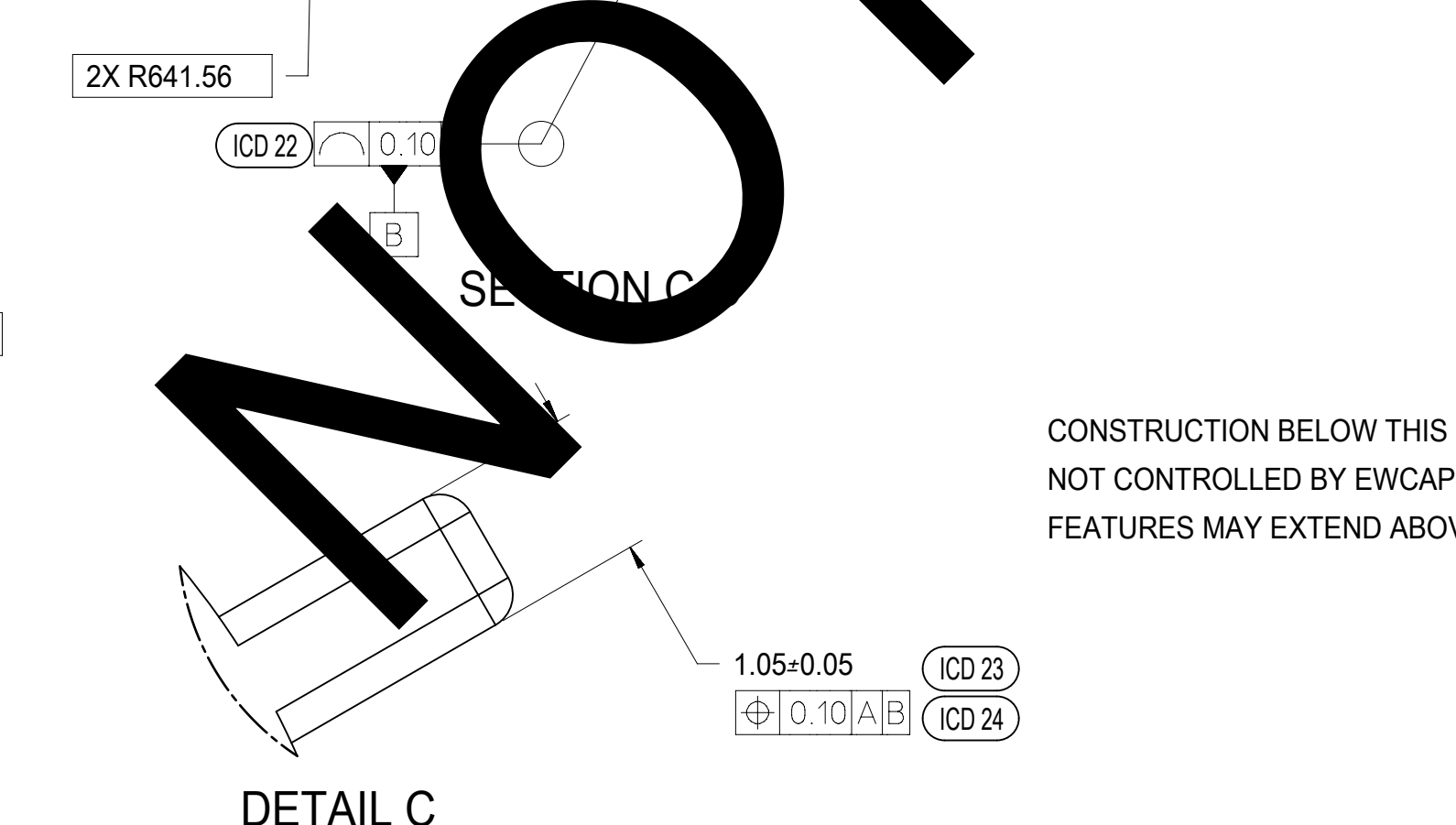
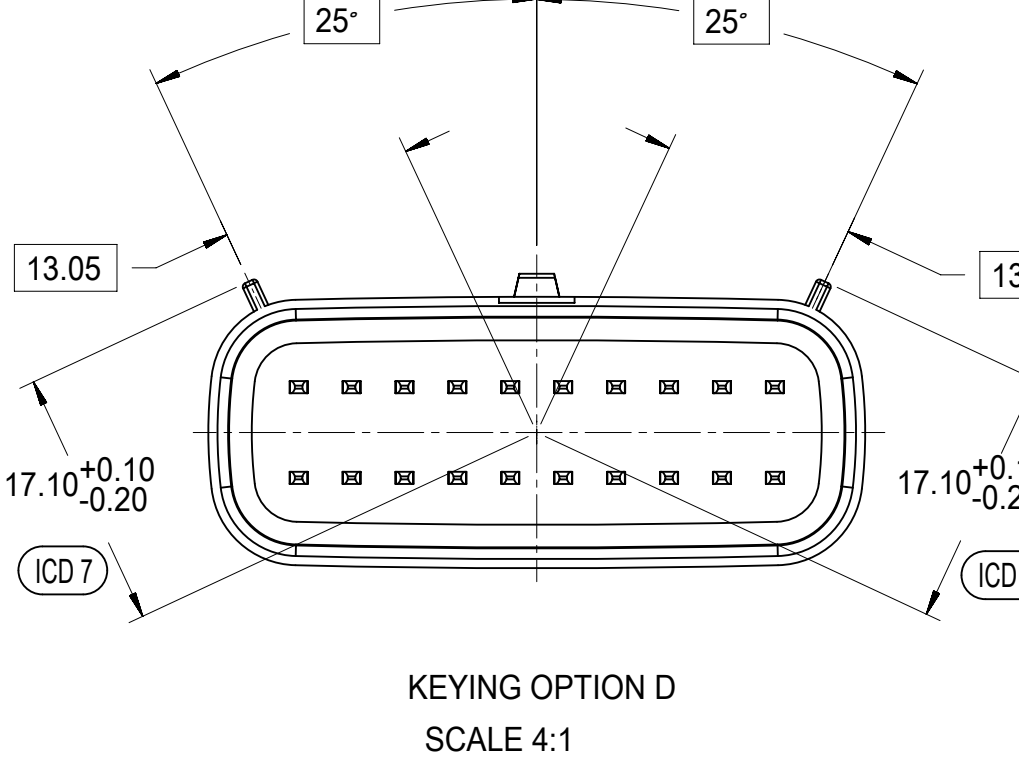
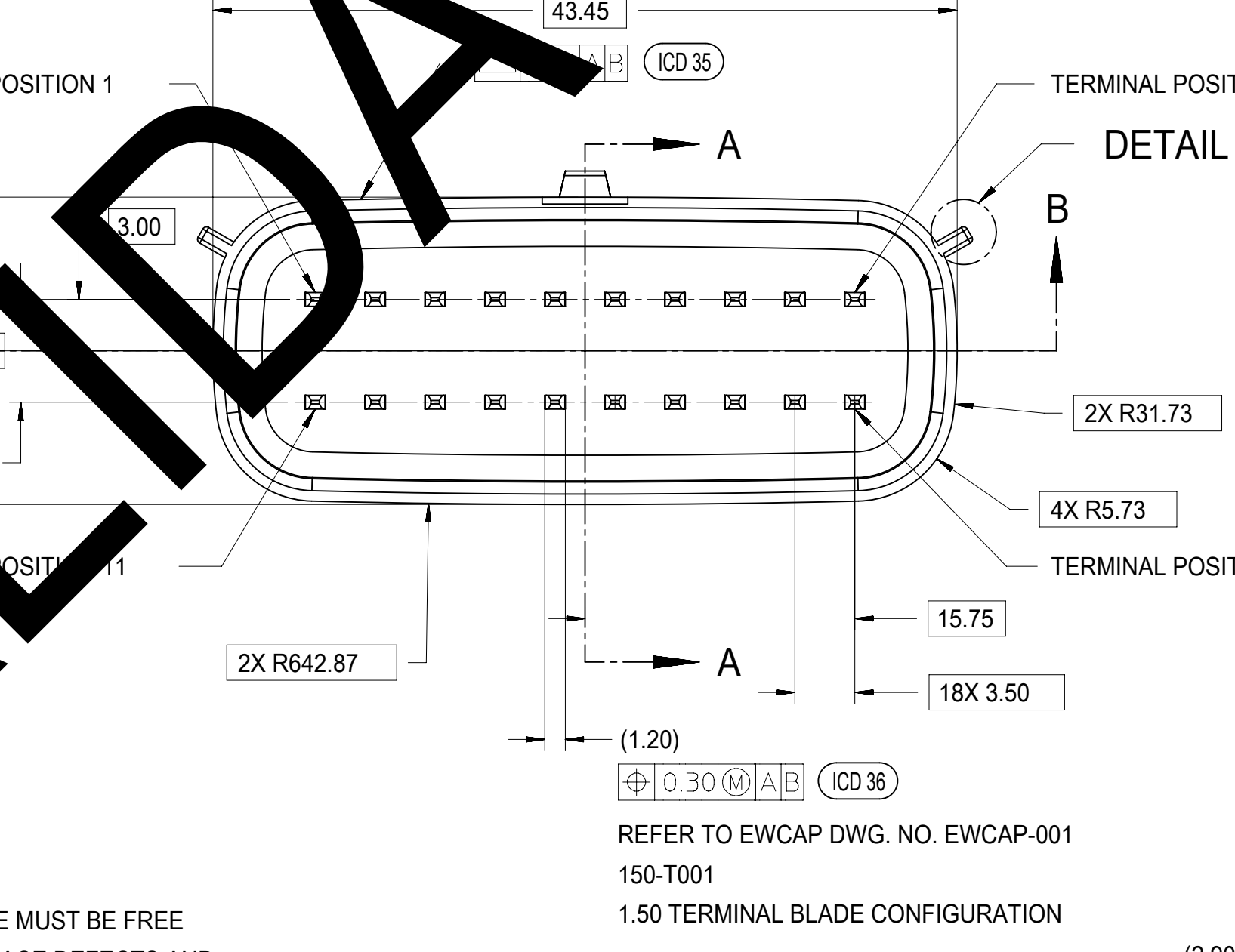
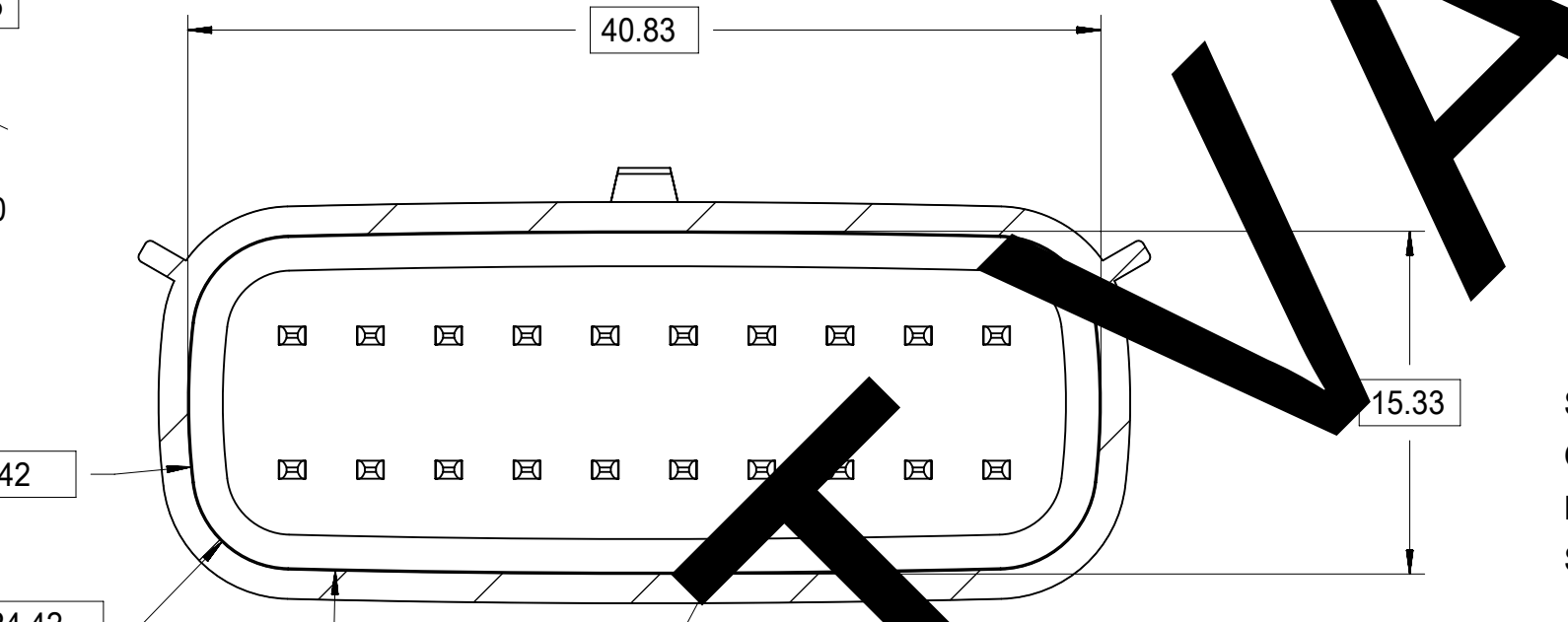
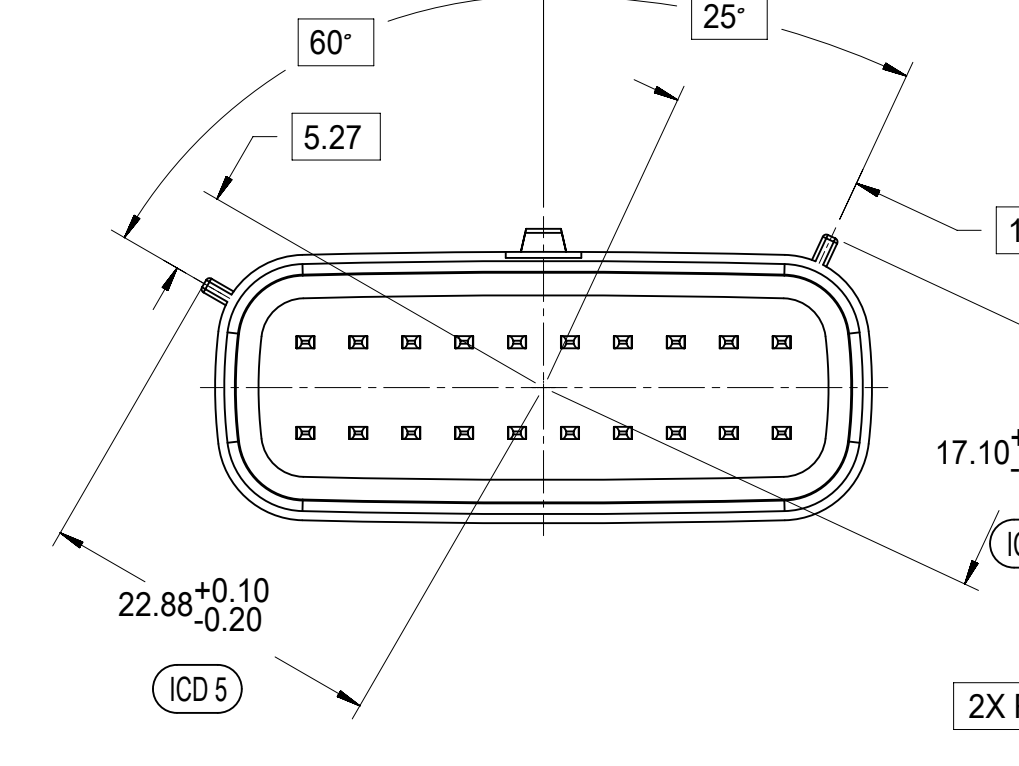
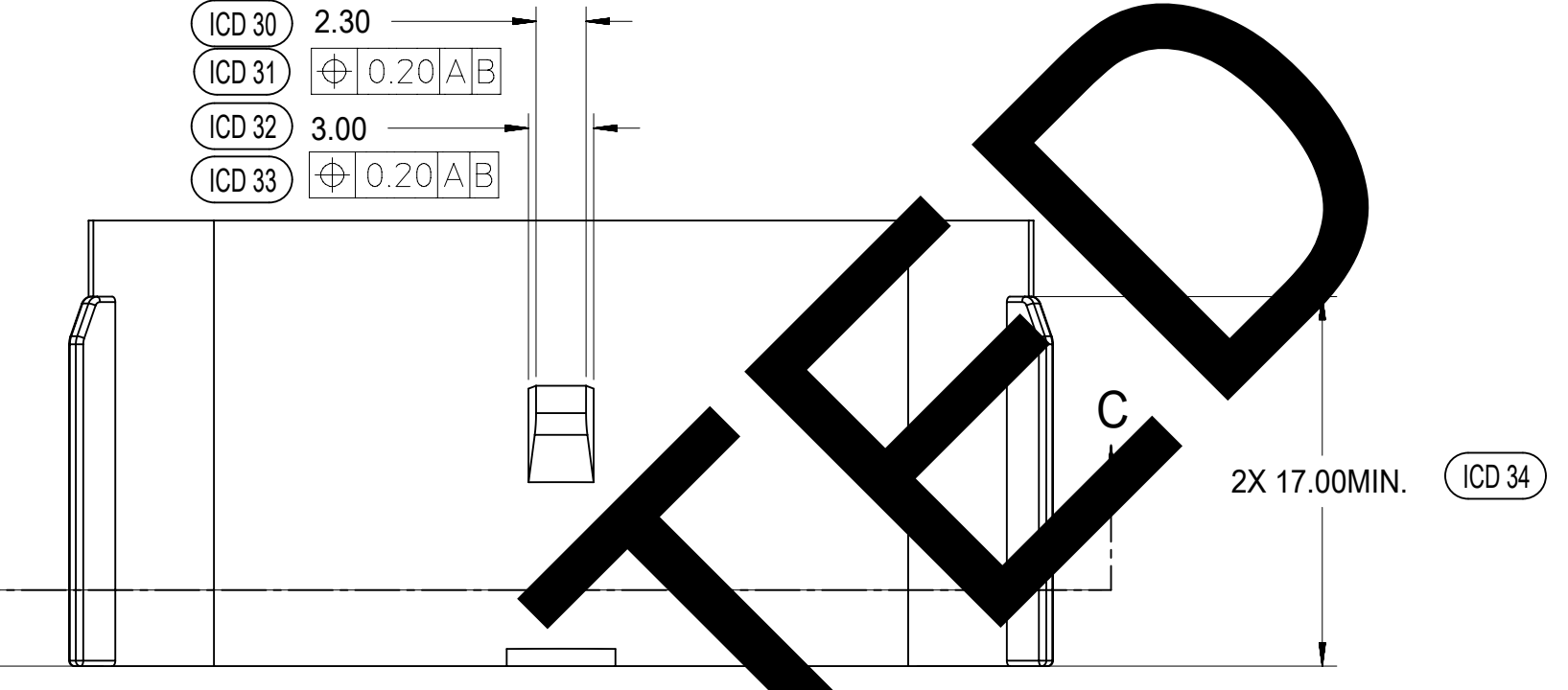
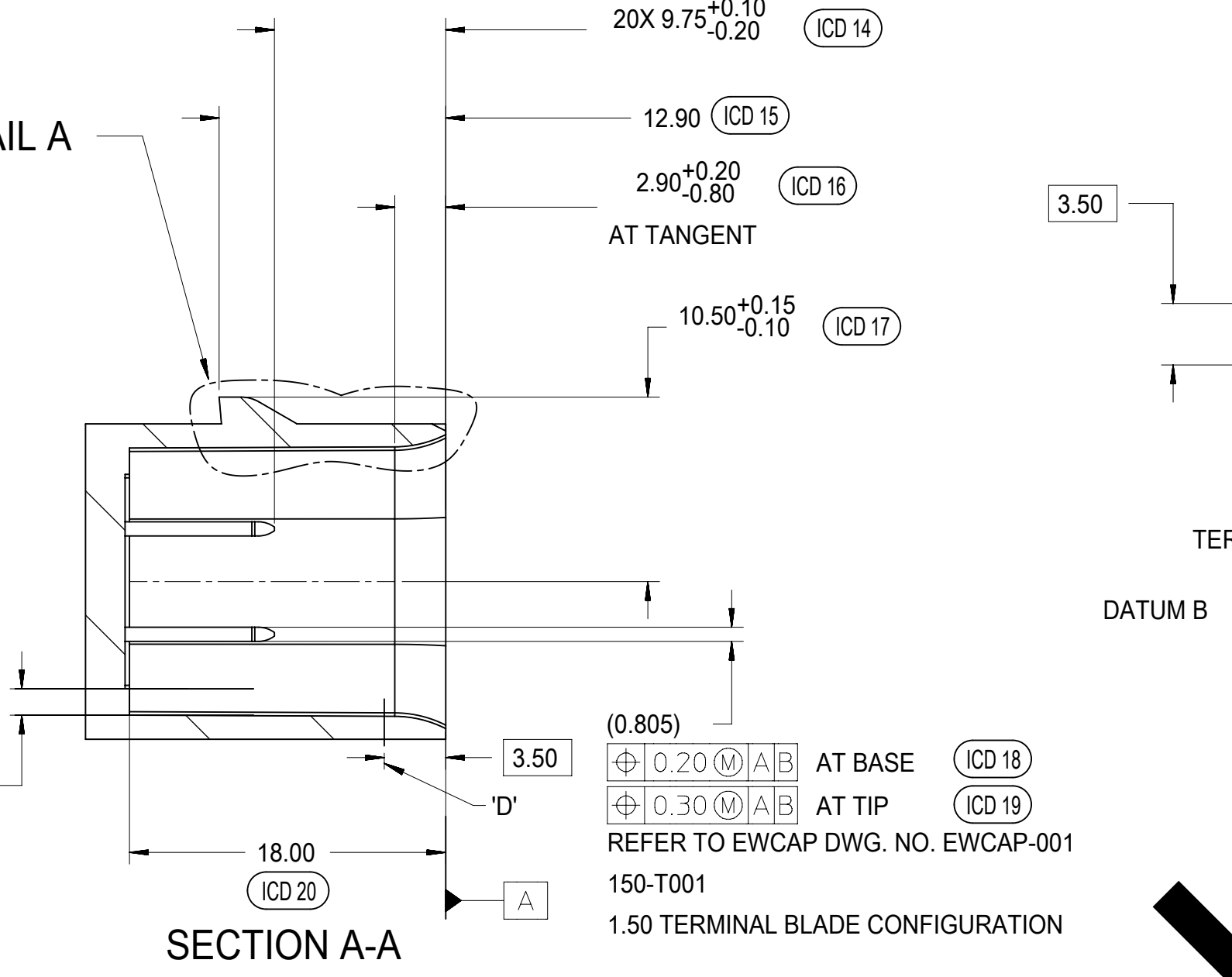
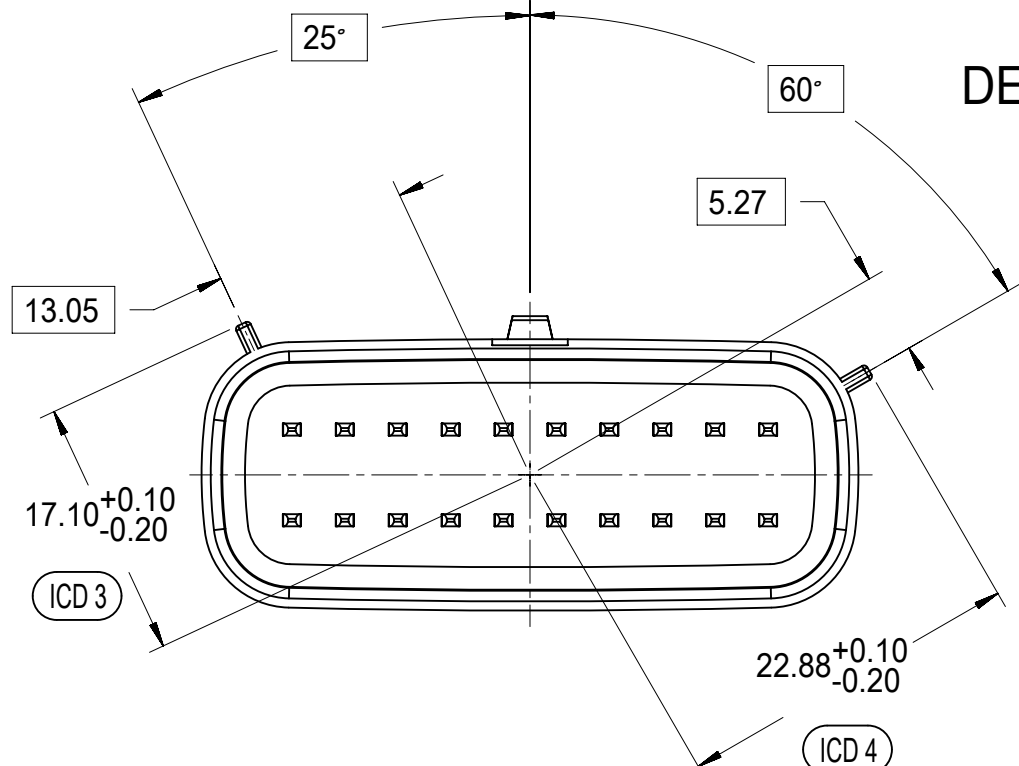
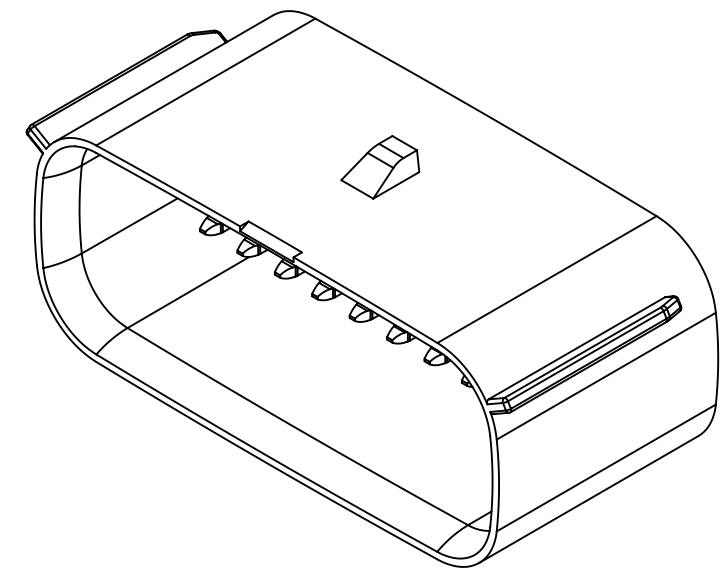
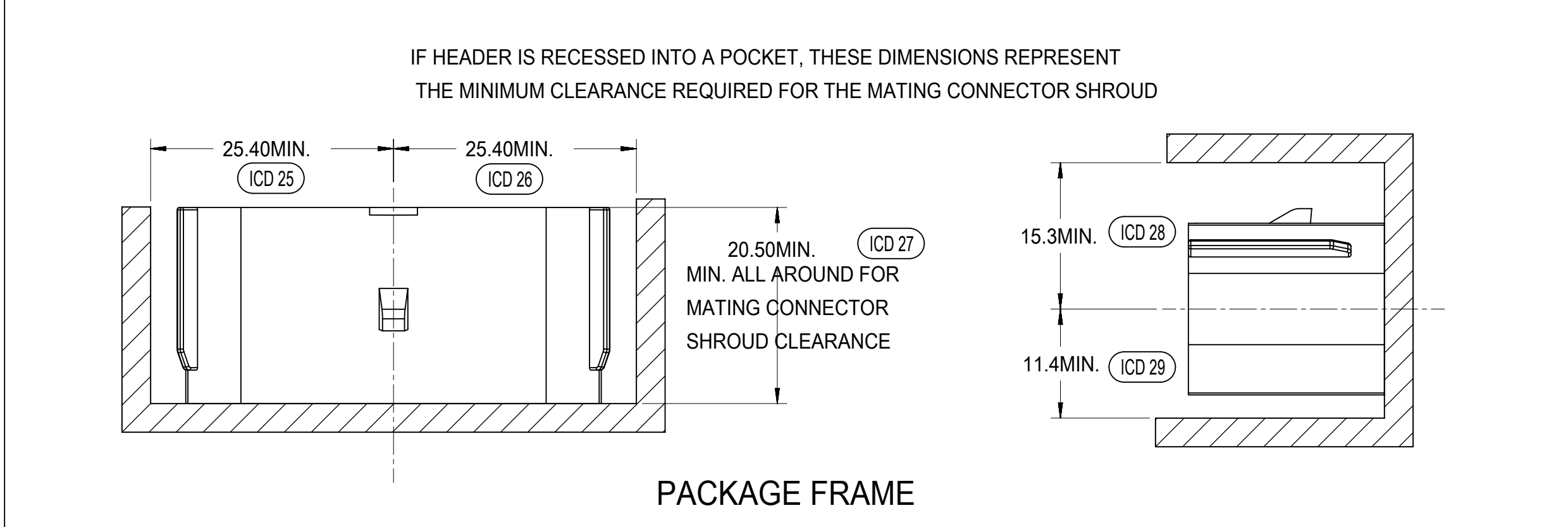
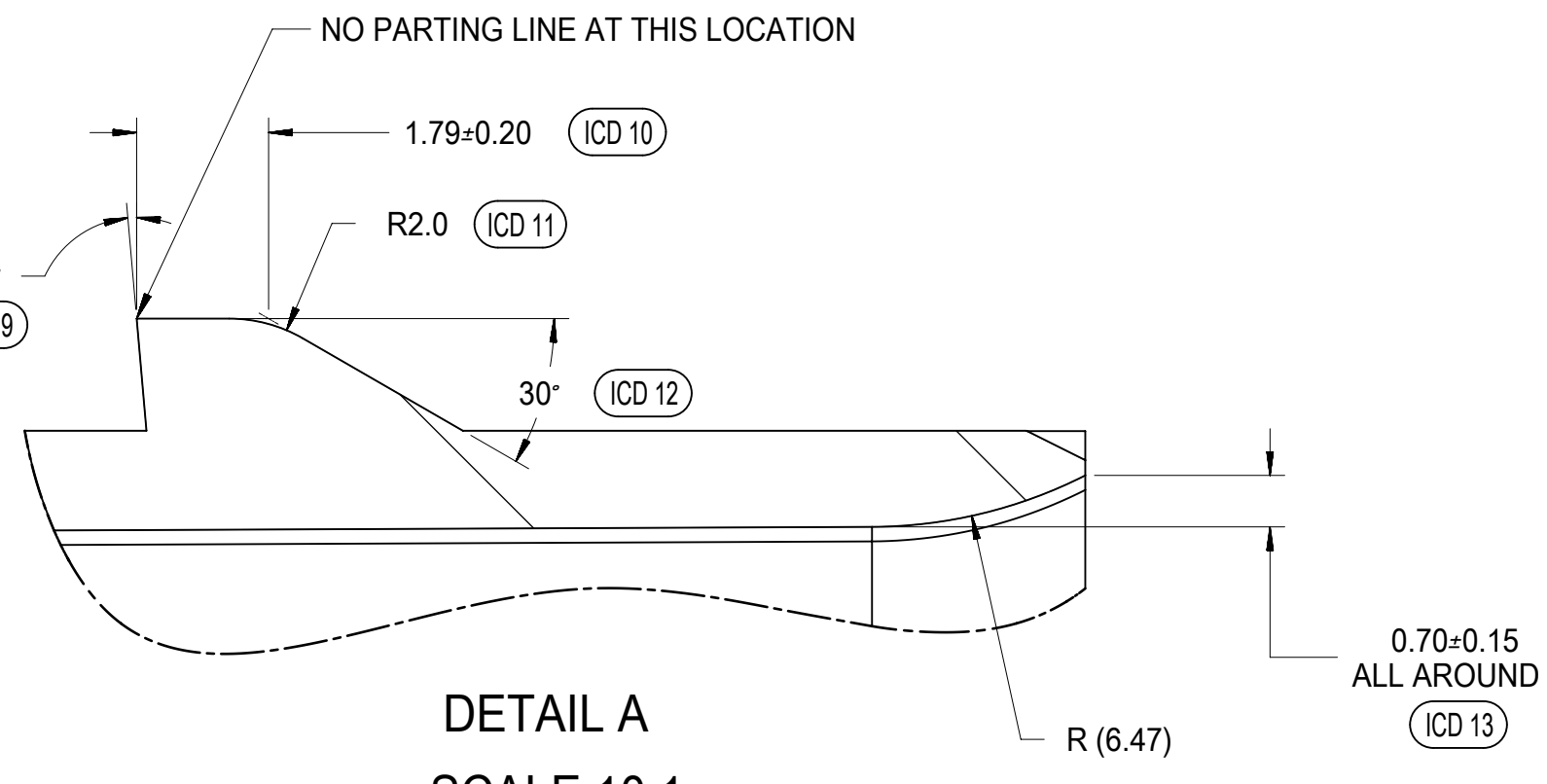
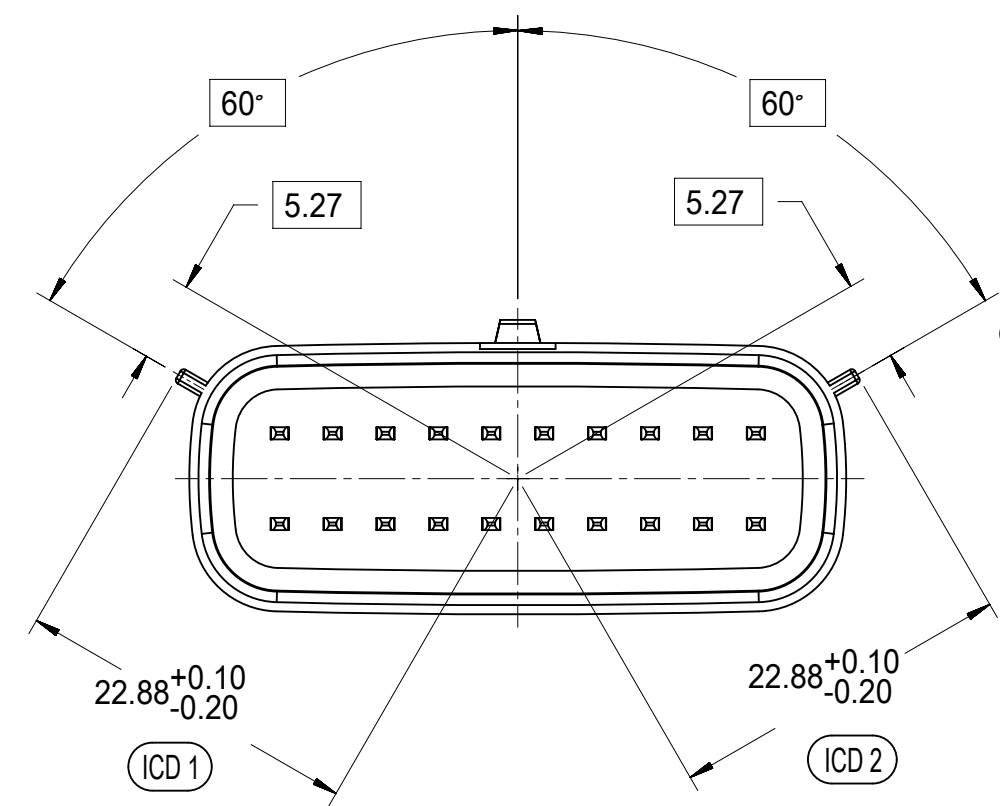
| CHARTED DIMENSIONS |            |
|--------------------|------------|
| DESCRIPTION        | DIMENSIONS |
|                    | H          |
| 2X3 W/ CLIPSLOT    | N/A        |
| 2X3 W/O CLIPSLOT   | 28.50      |
| 2X4 W/ CLIPSLOT    | N/A        |
| 2X4 W/O CLIPSLOT   | 30.75      |
| 2X6 W/ CLIPSLOT    | N/A        |
| 2X6 W/O CLIPSLOT   | 35.83      |



RECEPTACLE SEALED ASSEMBLY WITH RECEPTACLE BACKSHELL

|   |   |  |  |  |   |                 |                          |                            |  |  |  |
|---|---|--|--|--|---|-----------------|--------------------------|----------------------------|--|--|--|
| <b>QUALITY SYMBOLS</b><br>FA = 0<br>FE = 0<br>FE = 0<br>▼ = 0<br>C = 0<br>☒ = 0<br>■ = 0<br>∇ = 0 | THIS DRAWING CONTAINS INFORMATION THAT IS PROPRIETARY TO MOLEX ELECTRONIC TECHNOLOGIES, LLC AND SHOULD NOT BE USED WITHOUT WRITTEN PERMISSION |  |  |  |   |                 |                          |                            |  |  |  |
|   | EC NO: 171650<br>DRWN: DDEB<br>CHKD: MYANSLAMBROU<br>APPR: MYANSLAMBROU   | GENERAL TOLERANCES (UNLESS SPECIFIED)<br>mm<br>4:1   |  | DIMENSION UNITS<br>mm<br>SCALE<br>4:1      |   |                 |                          |                            |  |  |  |
|   |   | ANGULAR TOL ± 1.0 °<br>4 PLACES ±<br>3 PLACES ±<br>2 PLACES ± 0.1<br>1 PLACE ± 0.2<br>0 PLACES ± |  | DRWN BY<br>APROFFITT<br>DATE<br>2014/05/14 |   |                 |                          |                            |  |  |  |
|   | DRAFT WHERE APPLICABLE<br>MUST REMAIN WITHIN DIMENSIONS   |  | CHK'D BY<br>KBORUSZEWSKI<br>DATE<br>2014/06/16 |  | APPR BY<br>VKOSHY<br>DATE<br>2014/06/27 |                 | PRODUCT CUSTOMER DRAWING |                            |  |  |  |
| DRAWING SIZE<br>A1  |   | THIRD ANGLE PROJECTION   |  | SERIES<br>33472                            |   | MATERIAL NUMBER |                          | CUSTOMER<br>GENERAL MARKET |  |  |  |
| C2  |   | DOCUMENT NUMBER<br>SD-33472-0001   |  | DOC TYPE<br>PSD                            |   | DOC PART<br>001 |                          | SHEET NUMBER<br>9 OF 11    |  |  |  |





- MATING INTERFACE NOTES: VALID UNLESS OTHERWISE SPECIFIED
- GENERAL:
    - DESIGNED TO MATE WITH MOLEX CONNECTOR 33472-2XXX & 160008-0XXX & 160074-0XXX. A FULL SHROUD ON THE MATING CONNECTOR IS REQUIRED TO INSURE THAT THE CONNECTOR-HEADER POLARIZATION FEATURES (OPTIONS A THRU D) WILL FUNCTION. THE FULL SHROUD ALSO PREVENTS SCOOP DAMAGE TO THE HEADER PINS. REFER TO 'SAE/USCAR-12 CONNECTOR DESIGN GUIDE LINES' FOR ADDITIONAL INFORMATION.
    - PARTS MUST BE IN COMPLIANCE TO MOLEX CHEMICAL SUBSTANCES FOR PRODUCTS AND PACKAGING SPECIFICATION: ES-40000-5016
    - FLAMMABILITY REQUIREMENT: PER ISO3795 OR GM3191
      - BURN RATE 100mm/MIN MAXIMUM
      - MATERIAL MUST BE SELF EXTINGUISHING
  - MATERIALS:
    - MATERIAL: SPS/NYLON GF20, REGRIND 20% MAX BY WEIGHT
    - STANDARD COLORS FOR POLARIZATION (SEE KEYING OPTIONS TABLE). DEVIATION REQUIRES APPROVAL OF AUTHORIZED PERSON
    - FOR BLADE BASE MATERIAL, PLATING AND PROCESS LUBRICANT:
      - TIN: - BASE MATERIAL: COPPER ALLOY, CONDUCTIVITY >=60% IACS AT 20°C; TENSILE STRENGTH >= 410 N/mm<sup>2</sup> P - BARRIER MATERIAL: NICKEL DEPOSIT FROM NICKEL SULFAMATE PLATING SOLUTION W/O ANY ADDITIVES THICKNESS: 1.25 - 2.25 MICROMETERS - TOP LAYER: 100% ELECTRO-DEPOSITED TIN, MATTE FINISH THICKNESS: 2.5 - 4.0 MICROMETERS
      - SILVER: - BARRIER MATERIAL: ELECTRO-DEPOSITED DUCTILE SULPHAMATE NICKEL THICKNESS: 1.25 - 2.25 MICROMETERS - TOP LAYER: ELECTRO-DEPOSITED SEMI-BRIGHT PURE SILVER (0.5% MAX IMPURITIES) OVER NICKEL ANTI-TARNISH TREATMENT EVERBRIGHT WS THICKNESS: 1.9 - 3.3 MICROMETERS
    - BLADES MUST CONFORM TO ES-40000-5007, EXCEPT FOR SPECULAR REFLECTIVITY - SECTION 6.0
    - ANY PROCESS LUBRICANT REMAINING ON THE TERMINAL MUST NOT VARNISH OR DEGRADE IT'S ELECTRICAL PERFORMANCE UP TO A MAXIMUM CLASS AMBIENT TEMPERATURE PER SAE USCAR-2 FOR 1008 HOURS, PROCESS LUBRICANTS SHOULD BE APPROVED BY THE RESPONSIBLE ENGINEER.
    - INFORMATION FOR BLADE DESIGN WAS DEVELOPED FROM EWCAP DWG: EWCAP-001
  - GEOMETRY:
    - THIS IS A 100% CAD GENERATED PART. THE CAD MATHEMATICAL DATA IS THE MASTER FOR THIS PART. FOR DIMENSIONAL OR ANY INFORMATION NOT SHOWN ON THIS DRAWING, ANALYZE THE CAD MODEL.
    - GEOMETRIC DIMENSIONS AND TOLERANCES PER ASME Y14.5M - 1994
    - GENERAL TOLERANCES: SEE TITLE BLOCK
    - EDGES AND UNDIMENSIONED DETAILS PER ISO13715
  - MANUFACTURING:
    - DRAFT TO BE WITHIN TOLERANCE. PLUS DRAFT - INDICATES A DIMENSION REPRESENTS THE SMALLEST SIZE OF A FEATURE. DRAFT WILL ADD MATERIAL. MINUS DRAFT - INDICATES A DIMENSION REPRESENTS THE LARGEST SIZE OF A FEATURE. DRAFT WILL REMOVE MATERIAL.
    - ALLOWABLE FLASH MAX 0.20 HIGH BY MAX 0.13 THICK.
    - ALLOWABLE SPLIT/PARTING LINE MISMATCH 0.2 MAX.
    - VISUAL DEFECTS SHALL MEET COSMETIC STANDARD PS-45499-002 (Class B)
    - NO EXTERNAL MOLD RELEASE AGENT ALLOWED DURING MANUFACTURING
    - NO PARTING LINES, NO DRAFT, MISMATCHES OR EJECTOR MARKS PERMISSIBLE WITHIN SEALING SURFACE. SEALING SURFACE TOOLING TO BE PROCESSED TO SURFACE FINISH OF NITRA #700 PAPER MINIMUM.

NOT VALIDATED

| SYMBOLS  |       | THIS DRAWING CONTAINS INFORMATION THAT IS PROPRIETARY TO MOLEX ELECTRONIC TECHNOLOGIES, LLC AND SHOULD NOT BE USED WITHOUT WRITTEN PERMISSION |              | CURRENT REV DESC. |      |
|--|-------|---|--------------|-------------------|------|
| DIMENSION UNITS                                      | SCALE | EC NO:  | DRWN:        | DATE:             | REV: |
| mm   | 1:1   | 171650  | DDEB         | 2018/01/19        |      |
| GENERAL TOLERANCES (UNLESS SPECIFIED)                |       | CHK'D:  | MVANSLAMBROU | 2018/02/16        |      |
| ANGULAR TOL ± 1.0°                                   |       | APPR:   | MVANSLAMBROU | 2018/02/16        |      |
| 4 PLACES ±   |       | INITIAL REVISION:   |              |                   |      |
| 3 PLACES ±   |       | DRWN:   | APROFFITT    | 2014/05/14        |      |
| 2 PLACES ± 0.1                                       |       | APPR:   | VKOSHY       | 2014/06/27        |      |
| 1 PLACE ± 0.2  |       | THIRD ANGLE PROJECTION  |              |                   |      |
| 0 PLACES ±   |       | DRAWING   |              |                   |      |
| DRAFT WHERE APPLICABLE MUST REMAIN WITHIN DIMENSIONS |       | SERIES  |              |                   |      |
|  |       | A1-SIZE   |              |                   |      |
|  |       | 33472   |              |                   |      |
|  |       | MATERIAL NUMBER   |              |                   |      |
|  |       | CUSTOMER  |              |                   |      |
|  |       | SHEET NUMBER  |              |                   |      |

**molex**

MX150 RCPT  
DUAL ROW SEALED ASSEMBLY MAT SEAL

PRODUCT CUSTOMER DRAWING

DOCUMENT NUMBER: SD-33472-0001  
DOC TYPE: PSD  
DOC PART: 001  
REVISION: C2

| P/N             | OPTION | MATING CONNECTOR COLOR |
|-----------------|--------|------------------------|
| 150-S-020-2-D02 | D      | STONE GRAY             |
| 150-S-020-2-C02 | C      | DK GRAY                |
| 150-S-020-2-B02 | B      | LT GRAY                |
| 150-S-020-2-A02 | A      | BLACK                  |

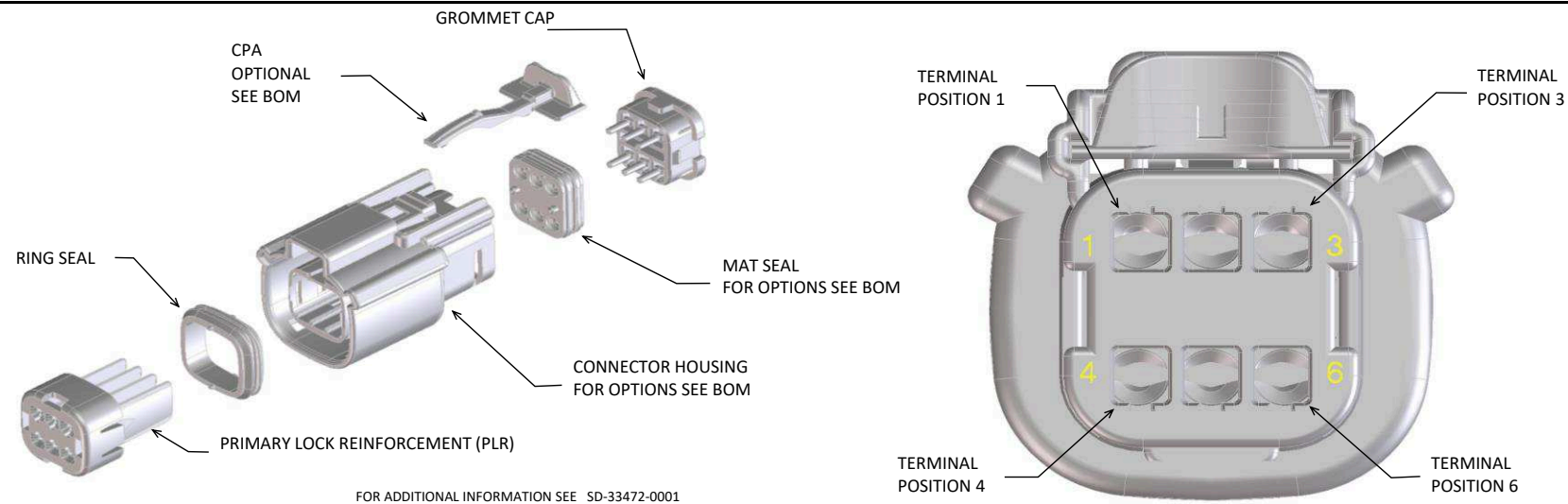
| DOCUMENT STATUS | P1 | RELEASE DATE | 2018/02/16 | 22:02:25 |
|-----------------|----|--------------|------------|----------|
|-----------------|----|--------------|------------|----------|







MX150 RECEPTACLE 2X3 SEALED ASSEMBLY MAT SEAL  
BOM AND PIN OUT SHEET



FOR ADDITIONAL INFORMATION SEE SD-33472-0001

| ABBREVIATION | DESCRIPTION                            | COLOR      | MATERIAL                       |
|--------------|--|------------|--------------------------------|
| A-BLK        | HOUSING, KEYING OPTION A               | BLACK      | SPS/NYLON GF20                 |
| B-LG         | HOUSING, KEYING OPTION B               | LIGHT GRAY | SPS/NYLON GF20                 |
| C-BR         | HOUSING, KEYING OPTION C               | BROWN      | SPS/NYLON GF20                 |
| D-GR         | HOUSING, KEYING OPTION D               | GREEN      | SPS/NYLON GF20                 |
| C-DG         | HOUSING, KEYING OPTION C               | DARK GRAY  | SPS/NYLON GF20                 |
| D-SG         | HOUSING, KEYING OPTION D               | STONE GRAY | SPS/NYLON GF20                 |
| A-YW         | HOUSING, KEYING OPTION A               | YELLOW     | SPS/NYLON GF20                 |
| A-BLK-CLIP   | HOUSING, KEYING OPTION A WITH CLIPSLOT | BLACK      | SPS/NYLON GF20                 |
| B-LG-CLIP    | HOUSING, KEYING OPTION B WITH CLIPSLOT | LIGHT GRAY | SPS/NYLON GF20                 |
| C-BR-CLIP    | HOUSING, KEYING OPTION C WITH CLIPSLOT | BROWN      | SPS/NYLON GF20                 |
| D-GR-CLIP    | HOUSING, KEYING OPTION D WITH CLIPSLOT | GREEN      | SPS/NYLON GF20                 |
| C-DG-CLIP    | HOUSING, KEYING OPTION C WITH CLIPSLOT | DARK GRAY  | SPS/NYLON GF20                 |
| D-SG-CLIP    | HOUSING, KEYING OPTION D WITH CLIPSLOT | STONE GRAY | SPS/NYLON GF20                 |
| A-SG-CLIP    | HOUSING, KEYING OPTION A WITH CLIPSLOT | YELLOW     | SPS/NYLON GF20                 |
| GC           | GROMMET CAP                            | BLACK      | SPS/NYLON GF20                 |
| PLR          | PLR                                    | NATURAL    | SPS/NYLON GF20                 |
| CPA          | CPA                                    | RED        | PBT GF30                       |
| M            | MAT SEAL                               | LIGHT BLUE | INHERENTLY LUBRICATED SILICONE |
| R            | RING SEAL                              | RUST RED   | INHERENTLY LUBRICATED SILICONE |

| ASSEMBLY DESCRIPTION                     | ASSEMBLY PART NUMBER | COMPONENT   |             |     |     |          |           | BLOCKED TERMINALS  |   |   |   |   |   | STATUS | COMMENTS             | OPTIONAL ATTACHMENTS SOLD SEPERATELY |                        |            |
|--|----------------------|---|-------------|-----|-----|----------|-----------|--|---|---|---|---|---|--------|----------------------|--------------------------------------|------------------------|------------|
|  |                      | THE PRESENCE OF AN ABBREVIATION INDICATES THE PRESENCE OF THAT COMPONENT. |             |     |     |          |           | CAVITY WITH A NUMBER INDICATES BLOCKED TERMINAL POSITION<br>CAVITY WITHOUT A NUMBER INDICATES OPEN TERMINAL POSITION |   |   |   |   |   |        |                      | BACKSHELL WITH RIBS                  | BACKSHELL WITHOUT RIBS |            |
|  |                      | HOUSING KEY/COLOR   | GROMMET CAP | PLR | CPA | MAT SEAL | RING SEAL | 1  | 2 | 3 | 4 | 5 | 6 |        |                      |                                      |                        |            |
| KEY A, BLACK, W/O CPA                    | 33472-0601           | A-BLK   | GC          | PLR |     | M        | R         |  |   |   |   |   |   |        | SALEABLE             |                                      | 34951-0610             | 34951-0620 |
| KEY B, LIGHT GRAY, W/O CPA               | 33472-0602           | B-LG  | GC          | PLR |     | M        | R         |  |   |   |   |   |   |        | SALEABLE             |                                      | 34951-0610             | 34951-0620 |
| KEY C, BROWN, W/O CPA                    | 33472-0603           | C-BR  | GC          | PLR |     | M        | R         |  |   |   |   |   |   |        | NOT RECOMMENDED      | SEE P/N 33472-0668                   | 34951-0610             | 34951-0620 |
| KEY D, GREEN, W/O CPA                    | 33472-0604           | D-GR  | GC          | PLR |     | M        | R         |  |   |   |   |   |   |        | NOT RECOMMENDED      | SEE P/N 33472-0669                   | 34951-0610             | 34951-0620 |
| VOID KEY                                 | 33472-0605           |   |             |     |     |          |           |  |   |   |   |   |   |        |                      |                                      |                        |            |
| KEY A, BLACK, W/CPA                      | 33472-0606           | A-BLK   | GC          | PLR | CPA | M        | R         |  |   |   |   |   |   |        | SALEABLE             |                                      | 34951-0610             | 34951-0620 |
| KEY B, LIGHT GRAY, W/CPA                 | 33472-0607           | B-LG  | GC          | PLR | CPA | M        | R         |  |   |   |   |   |   |        | SALEABLE             |                                      | 34951-0610             | 34951-0620 |
| KEY C, BROWN, W/CPA                      | 33472-0608           | C-BR  | GC          | PLR | CPA | M        | R         |  |   |   |   |   |   |        | NOT RECOMMENDED      | SEE P/N 33472-0670                   | 34951-0610             | 34951-0620 |
| KEY D, GREEN, W/CPA                      | 33472-0609           | D-GR  | GC          | PLR | CPA | M        | R         |  |   |   |   |   |   |        | NOT RECOMMENDED      | SEE P/N 33472-0671                   | 34951-0610             | 34951-0620 |
| VOID KEY                                 | 33472-0610           |   |             |     |     |          |           |  |   |   |   |   |   |        |                      |                                      |                        |            |
| KEY A, BLACK, W/O CPA                    | 33472-0611           | A-BLK   | GC          | PLR |     | M        | R         |  |   | 3 |   |   |   |        | SALEABLE             | SAME AS P/N 33472-0658               | 34951-0610             | 34951-0620 |
| KEY B, LIGHT GRAY, W/O CPA               | 33472-0612           | B-LG  | GC          | PLR |     | M        | R         |  |   | 3 |   |   |   |        | SALEABLE             |                                      | 34951-0610             | 34951-0620 |
| KEY C, BROWN, W/O CPA                    | 33472-0613           | C-BR  | GC          | PLR |     | M        | R         |  |   | 3 |   |   |   |        | NOT RECOMMENDED      |                                      | 34951-0610             | 34951-0620 |
| KEY D, GREEN, W/O CPA                    | 33472-0614           | D-GR  | GC          | PLR |     | M        | R         |  |   | 3 |   |   |   |        | NOT RECOMMENDED      |                                      | 34951-0610             | 34951-0620 |
| VOID KEY                                 | 33472-0615           |   |             |     |     |          |           |  |   |   |   |   |   |        |                      |                                      |                        |            |
| KEY A, BLACK, W/CPA                      | 33472-0616           | A-BLK   | GC          | PLR | CPA | M        | R         |  |   | 3 |   |   |   |        | SALEABLE             |                                      | 34951-0610             | 34951-0620 |
| KEY B, LIGHT GRAY, W/CPA                 | 33472-0617           | B-LG  | GC          | PLR | CPA | M        | R         |  |   | 3 |   |   |   |        | SALEABLE             |                                      | 34951-0610             | 34951-0620 |
| KEY C, BROWN, W/CPA                      | 33472-0618           | C-BR  | GC          | PLR | CPA | M        | R         |  |   | 3 |   |   |   |        | NOT RECOMMENDED      |                                      | 34951-0610             | 34951-0620 |
| KEY D, GREEN, W/CPA                      | 33472-0619           | D-GR  | GC          | PLR | CPA | M        | R         |  |   | 3 |   |   |   |        | NOT RECOMMENDED      |                                      | 34951-0610             | 34951-0620 |
| VOID KEY                                 | 33472-0620           |   |             |     |     |          |           |  |   |   |   |   |   |        |                      |                                      |                        |            |
| KEY A, BLACK, W/O CPA                    | 33472-0621           | A-BLK   | GC          | PLR |     | M        | R         |  |   | 3 |   | 4 |   |        | SALEABLE             |                                      | 34951-0610             | 34951-0620 |
| KEY B, LIGHT GRAY, W/O CPA               | 33472-0622           | B-LG  | GC          | PLR |     | M        | R         |  |   | 3 |   | 4 |   |        | SALEABLE             |                                      | 34951-0610             | 34951-0620 |
| KEY C, BROWN, W/O CPA                    | 33472-0623           | C-BR  | GC          | PLR |     | M        | R         |  |   | 3 |   | 4 |   |        | NOT RECOMMENDED      |                                      | 34951-0610             | 34951-0620 |
| KEY D, GREEN, W/O CPA                    | 33472-0624           | D-GR  | GC          | PLR |     | M        | R         |  |   | 3 |   | 4 |   |        | NOT RECOMMENDED      |                                      | 34951-0610             | 34951-0620 |
| VOID KEY                                 | 33472-0625           |   |             |     |     |          |           |  |   |   |   |   |   |        |                      |                                      |                        |            |
| KEY A, BLACK, W/CPA                      | 33472-0626           | A-BLK   | GC          | PLR | CPA | M        | R         |  |   | 3 |   | 4 |   |        | SALEABLE             |                                      | 34951-0610             | 34951-0620 |
| KEY B, LIGHT GRAY, W/CPA                 | 33472-0627           | B-LG  | GC          | PLR | CPA | M        | R         |  |   | 3 |   | 4 |   |        | SALEABLE             |                                      | 34951-0610             | 34951-0620 |
| KEY C, BROWN, W/CPA                      | 33472-0628           | C-BR  | GC          | PLR | CPA | M        | R         |  |   | 3 |   | 4 |   |        | NOT RECOMMENDED      |                                      | 34951-0610             | 34951-0620 |
| KEY D, GREEN, W/CPA                      | 33472-0629           | D-GR  | GC          | PLR | CPA | M        | R         |  |   | 3 |   | 4 |   |        | NOT RECOMMENDED      |                                      | 34951-0610             | 34951-0620 |
| VOID KEY                                 | 33472-0630           |   |             |     |     |          |           |  |   |   |   |   |   |        |                      |                                      |                        |            |
| KEY A, BLACK, W/O CPA, W/O MAT SEAL      | 33472-0631           | A-BLK   | GC          | PLR |     |          | R         |  |   |   |   |   |   |        | PLANNED OBSOLESCENCE | NOT VALIDATED                        | 34951-0610             | 34951-0620 |
| KEY B, LIGHT GRAY, W/O CPA, W/O MAT SEAL | 33472-0632           | B-LG  | GC          | PLR |     |          | R         |  |   |   |   |   |   |        | PLANNED OBSOLESCENCE | NOT VALIDATED                        | 34951-0610             | 34951-0620 |
| KEY C, BROWN, W/O CPA, W/O MAT SEAL      | 33472-0633           | C-BR  | GC          | PLR |     |          | R         |  |   |   |   |   |   |        | PLANNED OBSOLESCENCE | NOT VALIDATED                        | 34951-0610             | 34951-0620 |
| KEY D, GREEN, W/O CPA, W/O MAT SEAL      | 33472-0634           | D-GR  | GC          | PLR |     |          | R         |  |   |   |   |   |   |        | PLANNED OBSOLESCENCE | NOT VALIDATED                        | 34951-0610             | 34951-0620 |
| VOID KEY                                 | 33472-0635           |   |             |     |     |          |           |  |   |   |   |   |   |        |                      |                                      |                        |            |
| KEY A, BLACK, W/O CPA                    | 33472-0636           | A-BLK   | GC          | PLR |     | M        | R         | 1  | 2 | 3 | 4 | 5 | 6 |        | SALEABLE             |                                      | 34951-0610             | 34951-0620 |
| KEY B, LIGHT GRAY, W/O CPA               | 33472-0637           | B-LG  | GC          | PLR |     | M        | R         | 1  | 2 | 3 | 4 | 5 | 6 |        | SALEABLE             |                                      | 34951-0610             | 34951-0620 |
| KEY C, BROWN, W/O CPA                    | 33472-0638           | C-BR  | GC          | PLR |     | M        | R         | 1  | 2 | 3 | 4 | 5 | 6 |        | NOT RECOMMENDED      | SEE P/N 33472-0749                   | 34951-0610             | 34951-0620 |
| KEY D, GREEN, W/O CPA                    | 33472-0639           | D-GR  | GC          | PLR |     | M        | R         | 1  | 2 | 3 | 4 | 5 | 6 |        | NOT RECOMMENDED      | SEE P/N 33472-0750                   | 34951-0610             | 34951-0620 |
| VOID KEY                                 | 33472-0640           |   |             |     |     |          |           |  |   |   |   |   |   |        |                      |                                      |                        |            |
| KEY A, BLACK, W/O CPA                    | 33472-0641           | A-BLK   | GC          | PLR |     | M        | R         |  | 2 | 3 | 4 | 5 |   |        | SALEABLE             |                                      | 34951-0610             | 34951-0620 |
| KEY A, BLACK, W/O CPA                    | 33472-0642           | A-BLK   | GC          | PLR |     | M        | R         |  |   | 3 | 4 |   |   |        | SALEABLE             |                                      | 34951-0610             | 34951-0620 |
| KEY A, BLACK, W/CPA                      | 33472-0643           | A-BLK   | GC          | PLR | CPA | M        | R         | 1  |   | 3 | 4 |   |   |        | SALEABLE             |                                      | 34951-0610             | 34951-0620 |
| KEY B, LIGHT GRAY, W/CPA                 | 33472-0644           | B-LG  | GC          | PLR | CPA | M        | R         | 1  |   | 3 | 4 |   |   |        | SALEABLE             |                                      | 34951-0610             | 34951-0620 |
| KEY C, BROWN, W/CPA                      | 33472-0645           | C-BR  | GC          | PLR | CPA | M        | R         | 1  |   | 3 | 4 |   |   |        | NOT RECOMMENDED      |                                      | 34951-0610             | 34951-0620 |
| KEY D, GREEN, W/CPA                      | 33472-0646           | D-GR  | GC          | PLR | CPA | M        | R         | 1  |   | 3 | 4 |   |   |        | NOT RECOMMENDED      |                                      | 34951-0610             | 34951-0620 |
| VOID KEY                                 | 33472-0647           |   |             |     |     |          |           |  |   |   |   |   |   |        |                      |                                      |                        |            |
| KEY A, BLACK, W/O CPA                    | 33472-0648           | A-BLK   | GC          | PLR |     | M        | R         | 1  |   | 3 | 4 |   | 6 |        | SALEABLE             |                                      | 34951-0610             | 34951-0620 |
| KEY B, LIGHT GRAY, W/O CPA               | 33472-0649           | B-LG  | GC          | PLR |     | M        | R         | 1  |   | 3 | 4 |   | 6 |        | SALEABLE             |                                      | 34951-0610             | 34951-0620 |
| KEY C, BROWN, W/O CPA                    | 33472-0650           | C-BR  | GC          | PLR |     | M        | R         | 1  |   | 3 | 4 |   | 6 |        | NOT RECOMMENDED      |                                      | 34951-0610             | 34951-0620 |
| KEY D, GREEN, W/O CPA                    | 33472-0651           | D-GR  | GC          | PLR |     | M        | R         | 1  |   | 3 | 4 |   | 6 |        | NOT RECOMMENDED      |                                      | 34951-0610             | 34951-0620 |
| VOID KEY                                 | 33472-0652           |   |             |     |     |          |           |  |   |   |   |   |   |        |                      |                                      |                        |            |
| KEY A, BLACK, W/CPA                      | 33472-0653           | A-BLK   | GC          | PLR | CPA | M        | R         | 1  |   | 3 | 4 |   | 6 |        | SALEABLE             |                                      | 34951-0610             | 34951-0620 |
| KEY B, LIGHT GRAY, W/CPA                 | 33472-0654           | B-LG  | GC          | PLR | CPA | M        | R         | 1  |   | 3 | 4 |   | 6 |        | SALEABLE             |                                      | 34951-0610             | 34951-0620 |



**MX150 RECEPTACLE 2X3 SEALED ASSEMBLY MAT SEAL  
BOM AND PIN OUT SHEET**

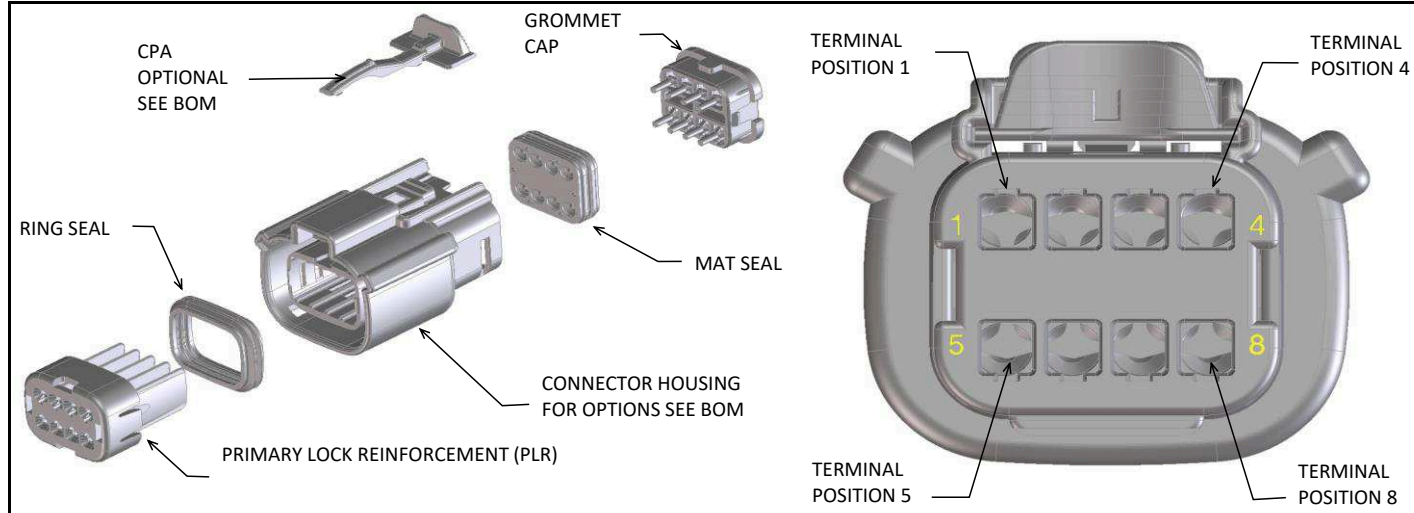
| ASSEMBLY DESCRIPTION                      | ASSEMBLY PART NUMBER | COMPONENT   |             |     |     |          |           | BLOCKED TERMINALS  |   |   |   |   |   | STATUS | COMMENTS                            | OPTIONAL ATTACHMENTS SOLD SEPERATELY |                        |            |            |
|---|----------------------|---|-------------|-----|-----|----------|-----------|--|---|---|---|---|---|--------|-------------------------------------|--------------------------------------|------------------------|------------|------------|
|   |                      | THE PRESENCE OF AN ABBREVIATION INDICATES THE PRESENCE OF THAT COMPONENT. |             |     |     |          |           | CAVITY WITH A NUMBER INDICATES BLOCKED TERMINAL POSITION<br>CAVITY WITHOUT A NUMBER INDICATES OPEN TERMINAL POSITION |   |   |   |   |   |        |                                     | BACKSHELL WITH RIBS                  | BACKSHELL WITHOUT RIBS |            |            |
|   |                      | HOUSING KEY/COLOR   | GROMMET CAP | PLR | CPA | MAT SEAL | RING SEAL | 1  | 2 | 3 | 4 | 5 | 6 |        |                                     |                                      |                        |            |            |
| KEY C, BROWN, W/CPA                       | 33472-0655           | C-BR  | GC          | PLR | CPA | M        | R         | 1  |   |   | 3 | 4 |   | 6      | NOT RECOMMENDED                     |                                      | 34951-0610             | 34951-0620 |            |
| KEY D, GREEN, W/CPA                       | 33472-0656           | D-GR  | GC          | PLR | CPA | M        | R         | 1  |   |   | 3 | 4 |   | 6      | NOT RECOMMENDED                     |                                      | 34951-0610             | 34951-0620 |            |
| VOID KEY                                  | 33472-0657           |   |             |     |     |          |           |  |   |   |   |   |   |        |                                     |                                      |                        |            |            |
| KEY A, BLACK, W/O CPA                     | 33472-0658           | A-BLK   | GC          | PLR |     | M        | R         |  |   |   | 3 |   |   |        | SALEABLE                            |                                      | 34951-0610             | 34951-0620 |            |
| KEY A, BLACK, W/O CPA                     | 33472-0659           | A-BLK   | GC          | PLR |     | M        | R         |  |   |   | 3 |   | 5 | 6      | SALEABLE                            |                                      | 34951-0610             | 34951-0620 |            |
| KEY A, BLACK, W/CPA                       | 33472-0660           | A-BLK   | GC          | PLR | CPA | M        | R         | 1  | 2 |   | 3 |   | 4 | 5      | 6                                   | SALEABLE                             |                        | 34951-0610 | 34951-0620 |
| KEY A, BLACK, W/O CPA                     | 33472-0661           | A-BLK   | GC          | PLR |     | M        | R         |  | 2 |   |   |   |   |        | SALEABLE                            |                                      | 34951-0610             | 34951-0620 |            |
| KEY A, BLACK, W/O CPA                     | 33472-0662           | A-BLK   | GC          | PLR |     | M        | R         |  | 2 |   |   |   |   | 5      | SALEABLE                            |                                      | 34951-0610             | 34951-0620 |            |
| KEY A, BLACK, W/O CPA                     | 33472-0663           | A-BLK   | GC          | PLR |     | M        | R         |  |   |   |   |   |   | 5      | 6                                   | SALEABLE                             |                        | 34951-0610 | 34951-0620 |
| KEY A, BLACK, W/O CPA                     | 33472-0664           | A-BLK   | GC          | PLR |     | M        | R         |  |   |   | 4 |   | 5 | 6      | SALEABLE                            |                                      | 34951-0610             | 34951-0620 |            |
| KEY A, BLACK, W/O CPA                     | 33472-0665           | A-BLK   | GC          | PLR |     | M        | R         | 1  |   |   |   |   |   |        | SALEABLE                            |                                      | 34951-0610             | 34951-0620 |            |
| KEY A, BLACK, W/O CPA                     | 33472-0666           | A-BLK   | GC          | PLR |     | M        | R         |  | 2 |   |   |   |   | 5      | 6                                   | SALEABLE                             |                        | 34951-0610 | 34951-0620 |
| KEY A, BLACK, W/O CPA                     | 33472-0667           | A-BLK   | GC          | PLR |     | M        | R         | 1  |   |   | 3 |   |   | 5      | 6                                   | SALEABLE                             |                        | 34951-0610 | 34951-0620 |
| KEY C, DARK GRAY, W/O CPA                 | 33472-0668           | C-DG  | GC          | PLR |     | M        | R         |  |   |   |   |   |   |        | SALEABLE                            |                                      | 34951-0610             | 34951-0620 |            |
| KEY D, STONE GRAY, W/O CPA                | 33472-0669           | D-SG  | GC          | PLR |     | M        | R         |  |   |   |   |   |   |        | SALEABLE                            |                                      | 34951-0610             | 34951-0620 |            |
| KEY C, DARK GRAY, W/CPA                   | 33472-0670           | C-DG  | GC          | PLR | CPA | M        | R         |  |   |   |   |   |   |        | SALEABLE                            |                                      | 34951-0610             | 34951-0620 |            |
| KEY D, STONE GRAY, W/CPA                  | 33472-0671           | D-SG  | GC          | PLR | CPA | M        | R         |  |   |   |   |   |   |        | SALEABLE                            |                                      | 34951-0610             | 34951-0620 |            |
| KEY B, LIGHT GRAY, W/O CPA                | 33472-0672           | B-LG  | GC          | PLR |     | M        | R         |  |   |   |   |   |   | 5      | SALEABLE                            |                                      | 34951-0610             | 34951-0620 |            |
| KEY A, BLACK, W/O CPA                     | 33472-0673           | A-BLK   | GC          | PLR |     | M        | R         |  |   |   |   |   |   | 6      | SALEABLE                            |                                      | 34951-0610             | 34951-0620 |            |
| KEY A, BLACK, W/CPA                       | 33472-0674           | A-BLK   | GC          | PLR | CPA | M        | R         |  |   |   |   |   |   | 5      | 6                                   | SALEABLE                             |                        | 34951-0610 | 34951-0620 |
| KEY A, BLACK, W/CPA                       | 33472-0675           | A-BLK   | GC          | PLR | CPA | M        | R         |  |   |   |   |   |   | 6      | SALEABLE                            |                                      | 34951-0610             | 34951-0620 |            |
| KEY B, LIGHT GRAY, W/CPA                  | 33472-0676           | B-LG  | GC          | PLR | CPA | M        | R         | 1  |   |   |   |   |   | 5      | SALEABLE                            |                                      | 34951-0610             | 34951-0620 |            |
| KEY B, LIGHT GRAY, W/O CPA                | 33472-0677           | B-LG  | GC          | PLR |     | M        | R         | 1  |   |   |   |   |   | 5      | SALEABLE                            |                                      | 34951-0610             | 34951-0620 |            |
| KEY B, LIGHT GRAY, W/O CPA                | 33472-0678           | B-LG  | GC          | PLR |     | M        | R         |  |   |   |   |   |   | 5      | 6                                   | SALEABLE                             |                        | 34951-0610 | 34951-0620 |
| KEY A, BLACK, W/CPA                       | 33472-0679           | A-BLK   | GC          | PLR | CPA | M        | R         | 1  | 2 |   | 3 |   |   |        | SALEABLE                            |                                      | 34951-0610             | 34951-0620 |            |
| KEY A, BLACK, W/O CPA                     | 33472-0680           | A-BLK   | GC          | PLR |     | M        | R         | 1  | 2 |   | 3 |   |   |        | SALEABLE                            |                                      | 34951-0610             | 34951-0620 |            |
| KEY A, BLACK, W/CPA                       | 33472-0681           | A-BLK   | GC          | PLR | CPA | M        | R         |  | 2 |   |   |   |   |        | SALEABLE                            |                                      | 34951-0610             | 34951-0620 |            |
| KEY A, YELLOW, W/CPA                      | 33472-0682           | A-YW  | GC          | PLR | CPA | M        | R         |  |   |   |   |   |   |        | SALEABLE                            |                                      | 34951-0610             | 34951-0620 |            |
| KEY A, BLACK, W/O CPA                     | 33472-0683           | A-BLK   | GC          | PLR |     | M        | R         |  |   |   | 3 |   | 4 | 5      | 6                                   | SALEABLE                             |                        | 34951-0610 | 34951-0620 |
| KEY A, BLACK, W/CPA                       | 33472-0684           | A-BLK   | GC          | PLR | CPA | M        | R         |  |   |   | 2 |   | 3 |        | SALEABLE                            |                                      | 34951-0610             | 34951-0620 |            |
| KEY B, LIGHT GRAY, W/CPA                  | 33472-0685           | B-LG  | GC          | PLR | CPA | M        | R         | 1  | 2 |   | 3 |   | 4 | 5      | 6                                   | SALEABLE                             |                        | 34951-0610 | 34951-0620 |
| KEY B, LIGHT GRAY, W/CPA                  | 33472-0686           | B-LG  | GC          | PLR | CPA | M        | R         |  | 2 |   | 3 |   |   |        | SALEABLE                            |                                      | 34951-0610             | 34951-0620 |            |
| KEY A, BLACK, W/O CPA                     | 33472-0687           | A-BLK   | GC          | PLR |     | M        | R         | 1  |   |   | 3 |   | 4 |        | SALEABLE                            |                                      | 34951-0610             | 34951-0620 |            |
| KEY A, BLACK, W/CPA                       | 33472-0688           | A-BLK   | GC          | PLR | CPA | M        | R         |  |   |   |   |   | 4 | 5      | 6                                   | SALEABLE                             |                        | 34951-0610 | 34951-0620 |
| KEY A, BLACK, W/CPA                       | 33472-0689           | A-BLK   | GC          | PLR | CPA | M        | R         |  |   |   |   |   | 4 |        | SALEABLE                            |                                      | 34951-0610             | 34951-0620 |            |
| KEY B, LIGHT GRAY, W/CPA                  | 33472-0690           | B-LG  | GC          | PLR | CPA | M        | R         |  |   |   |   |   | 4 |        | SALEABLE                            |                                      | 34951-0610             | 34951-0620 |            |
| KEY A, BLACK, W/CPA                       | 33472-0691           | A-BLK   | GC          | PLR | CPA | M        | R         | 1  |   |   | 3 |   |   | 5      | SALEABLE                            |                                      | 34951-0610             | 34951-0620 |            |
| KEY A, BLACK, W/CPA                       | 33472-0692           | A-BLK   | GC          | PLR | CPA | M        | R         |  | 2 |   |   |   | 4 |        | SALEABLE                            |                                      | 34951-0610             | 34951-0620 |            |
| KEY A, BLACK, WITH CLIPSLOT, W/O CPA      | 33472-0701           | A-BLK-CLIP  | GC          | PLR |     | M        | R         |  |   |   |   |   |   |        | SALEABLE                            |                                      | N/A                    | N/A        |            |
| KEY B, LIGHT GRAY, WITH CLIPSLOT, W/O CPA | 33472-0702           | B-LG-CLIP   | GC          | PLR |     | M        | R         |  |   |   |   |   |   |        | SALEABLE                            |                                      | N/A                    | N/A        |            |
| KEY C, BROWN, WITH CLIPSLOT, W/O CPA      | 33472-0703           | C-BR-CLIP   | GC          | PLR |     | M        | R         |  |   |   |   |   |   |        | NOT RECOMMENDED--SEE P/N 33472-0714 |                                      | N/A                    | N/A        |            |
| KEY D, GREEN, WITH CLIPSLOT, W/O CPA      | 33472-0704           | D-GR-CLIP   | GC          | PLR |     | M        | R         |  |   |   |   |   |   |        | NOT RECOMMENDED--SEE P/N 33472-0715 |                                      | N/A                    | N/A        |            |
| KEY A, BLACK, WITH CLIPSLOT, W/CPA        | 33472-0705           | A-BLK-CLIP  | GC          | PLR | CPA | M        | R         |  |   |   |   |   |   |        | SALEABLE                            |                                      | N/A                    | N/A        |            |
| KEY B, LIGHT GRAY, WITH CLIPSLOT, W/CPA   | 33472-0706           | B-LG-CLIP   | GC          | PLR | CPA | M        | R         |  |   |   |   |   |   |        | SALEABLE                            |                                      | N/A                    | N/A        |            |
| KEY C, BROWN, WITH CLIPSLOT, W/CPA        | 33472-0707           | C-BR-CLIP   | GC          | PLR | CPA | M        | R         |  |   |   |   |   |   |        | NOT RECOMMENDED--SEE P/N 33472-0716 |                                      | N/A                    | N/A        |            |
| KEY D, GREEN, WITH CLIPSLOT, W/CPA        | 33472-0708           | D-GR-CLIP   | GC          | PLR | CPA | M        | R         |  |   |   |   |   |   |        | NOT RECOMMENDED--SEE P/N 33472-0717 |                                      | N/A                    | N/A        |            |
| KEY A, BLACK, WITH CLIPSLOT, W/O CPA      | 33472-0709           | A-BLK-CLIP  | GC          | PLR |     | M        | R         |  |   |   | 3 |   |   |        | SALEABLE                            |                                      | N/A                    | N/A        |            |
| KEY A, BLACK, WITH CLIPSLOT, W/O CPA      | 33472-0710           | A-BLK-CLIP  | GC          | PLR |     | M        | R         |  | 2 |   | 3 |   | 4 | 5      | SALEABLE                            |                                      | N/A                    | N/A        |            |
| KEY A, BLACK, WITH CLIPSLOT, W/O CPA      | 33472-0711           | A-BLK-CLIP  | GC          | PLR |     | M        | R         |  |   |   |   |   |   | 5      | 6                                   | SALEABLE                             |                        | N/A        | N/A        |
| KEY A, BLACK, WITH CLIPSLOT, W/O CPA      | 33472-0712           | A-BLK-CLIP  | GC          | PLR |     | M        | R         |  |   |   | 3 |   | 4 |        | SALEABLE                            |                                      | N/A                    | N/A        |            |
| KEY B, LIGHT GRAY, WITH CLIPSLOT, W/O CPA | 33472-0713           | B-LG-CLIP   | GC          | PLR |     | M        | R         | 1  |   |   |   |   |   | 5      | SALEABLE                            |                                      | N/A                    | N/A        |            |
| KEY C, DARK GRAY, WITH CLIPSLOT, W/O CPA  | 33472-0714           | C-DG-CLIP   | GC          | PLR |     | M        | R         |  |   |   |   |   |   |        | SALEABLE                            |                                      | N/A                    | N/A        |            |
| KEY D, STONE GRAY, WITH CLIPSLOT, W/O CPA | 33472-0715           | D-SG-CLIP   | GC          | PLR |     | M        | R         |  |   |   |   |   |   |        | SALEABLE                            |                                      | N/A                    | N/A        |            |
| KEY C, DARK GRAY, WITH CLIPSLOT, W/CPA    | 33472-0716           | C-DG-CLIP   | GC          | PLR | CPA | M        | R         |  |   |   |   |   |   |        | SALEABLE                            |                                      | N/A                    | N/A        |            |
| KEY D, STONE GRAY, WITH CLIPSLOT, W/CPA   | 33472-0717           | D-SG-CLIP   | GC          | PLR | CPA | M        | R         |  |   |   |   |   |   |        | SALEABLE                            |                                      | N/A                    | N/A        |            |
| KEY A, BLACK, WITH CLIPSLOT, W/O CPA      | 33472-0718           | A-BLK-CLIP  | GC          | PLR |     | M        | R         |  |   |   | 3 |   |   |        | SALEABLE                            |                                      | N/A                    | N/A        |            |
| KEY B, LIGHT GRAY, WITH CLIPSLOT, W/CPA   | 33472-0719           | B-LG-CLIP   | GC          | PLR | CPA | M        | R         | 1  |   |   |   |   |   | 5      | SALEABLE                            |                                      | N/A                    | N/A        |            |
| KEY B, LIGHT GRAY, WITH CLIPSLOT, W/O CPA | 33472-0720           | B-LG-CLIP   | GC          | PLR |     | M        | R         |  |   |   |   |   |   | 5      | SALEABLE                            |                                      | N/A                    | N/A        |            |
| KEY C, DARK GRAY, WITH CLIPSLOT, W/O CPA  | 33472-0721           | C-DG-CLIP   | GC          | PLR |     | M        | R         |  |   |   | 3 |   |   |        | SALEABLE                            |                                      | N/A                    | N/A        |            |
| KEY A, BLACK, WITH CLIPSLOT, W/O CPA      | 33472-0722           | A-BLK-CLIP  | GC          | PLR |     | M        | R         |  |   |   |   |   | 4 | 5      | 6                                   | SALEABLE                             |                        | N/A        | N/A        |
| KEY A, BLACK, WITH CLIPSLOT, W/O CPA      | 33472-0723           | A-BLK-CLIP  | GC          | PLR |     | M        | R         |  |   | 2 | 3 |   |   | 5      | 6                                   | SALEABLE                             |                        | N/A        | N/A        |
| KEY A, BLACK, WITH CLIPSLOT, W/O CPA      | 33472-0724           | A-BLK-CLIP  | GC          | PLR |     | M        | R         |  |   | 2 |   |   |   |        | 6                                   | SALEABLE                             |                        | N/A        | N/A        |
| KEY A, BLACK, WITH CLIPSLOT, W/O CPA      | 33472-0725           | A-BLK-CLIP  | GC          | PLR |     | M        | R         |  |   |   | 3 |   |   | 5      | 6                                   | SALEABLE                             |                        | N/A        | N/A        |
| KEY A, BLACK, WITH CLIPSLOT, W/O CPA      | 33472-0726           | A-BLK-CLIP  | GC          | PLR |     | M        | R         |  |   |   |   |   |   |        | 6                                   | SALEABLE                             |                        | N/A        | N/A        |
| KEY A, BLACK, WITH CLIPSLOT, W/O CPA      | 33472-0727           | A-BLK-CLIP  | GC          | PLR |     | M        | R         |  |   |   |   |   |   |        | 6                                   | SALEABLE                             |                        | N/A        | N/A        |
| KEY A, BLACK, WITH CLIPSLOT, W/O CPA      | 33472-0728           | A-BLK-CLIP  | GC          | PLR |     | M        | R         | 1  |   | 2 | 3 |   | 4 | 5      | 6                                   | SALEABLE                             |                        | N/A        | N/A        |
| KEY A, BLACK, WITH CLIPSLOT, W/O CPA      | 33472-0729           | A-BLK-CLIP  | GC          | PLR |     | M        | R         | 1  |   | 2 | 3 |   | 4 | 5      | 6                                   | SALEABLE                             |                        | N/A        | N/A        |
| KEY A, BLACK, WITH CLIPSLOT, W/O CPA      | 33472-0730           | A-BLK-CLIP  | GC          | PLR |     | M        | R         |  |   |   |   |   | 4 |        | SALEABLE                            |                                      | N/A                    | N/A        |            |
| KEY A, BLACK, WITH CLIPSLOT, W/O CPA      | 33472-0731           | A-BLK-CLIP  | GC          | PLR |     | M        | R         |  |   |   |   |   | 4 |        | SALEABLE                            |                                      | N/A                    | N/A        |            |
| KEY B, LIGHT GRAY, WITH CLIPSLOT, W/O CPA | 33472-0732           | B-LG-CLIP   | GC          | PLR |     | M        | R         |  |   |   |   |   | 4 | 5      | 6                                   | SALEABLE                             |                        | N/A        | N/A        |
| KEY A, BLACK, W/CPA                       | 33472-0733           | A-BLK   | GC          | PLR | CPA | M        | R         |  | 2 |   |   |   |   | 5      | SALEABLE                            |                                      | 34951-0610             | 34951-0620 |            |
| KEY A, BLACK, WITH CLIPSLOT, W/O CPA      | 33472-0734           | A-BLK-CLIP  | GC          | PLR |     | M        | R         |  |   |   |   |   |   | 5      | SALEABLE                            |                                      | N/A                    | N/A        |            |
| KEY A, BLACK, W/O CPA                     | 33472-0735           | A-BLK   | GC          | PLR |     | M        | R         |  |   |   |   |   |   | 5      | SALEABLE                            |                                      | 34951-0610             | 34951-0620 |            |
| KEY B, LIGHT GRAY, W/O CPA                | 33472-0736           | B-LG  | GC          | PLR |     | M        | R         |  |   |   | 4 |   |   | 5      | 6                                   | SALEABLE                             |                        | 34951-0610 | 34951-0620 |
| KEY A, BLACK, W/CPA                       | 33472-0737           | A-BLK   | GC          | PLR | CPA | M        | R         | 1  |   |   |   |   |   |        | SALEABLE                            |                                      | 34951-0610             | 34951-0620 |            |
| KEY B, LIGHT GRAY, W/CPA                  | 33472-0738           | B-LG  | GC          | PLR | CPA | M        | R         | 1  |   |   |   |   |   |        | SALEABLE                            |                                      | 34951-0610             | 34951-0620 |            |
| KEY A, BLACK, WITH CLIPSLOT, W/CPA        | 33472-0739           | A-BLK-CLIP  | GC          | PLR | CPA | M        | R         | 1  | 2 |   |   |   |   | 5      | 6                                   | SALEABLE                             |                        | N/A        | N/A        |
| KEY A, BLACK, WITH CLIPSLOT, W/CPA        | 33472-0740           | A-BLK-CLIP  | GC          | PLR | CPA | M        | R         |  | 2 |   |   |   | 4 | 5      | SALEABLE                            |                                      | N/A                    | N/A        |            |
| KEY A, BLACK, W/O CPA                     | 33472-0741           | A-BLK   | GC          | PLR |     | M        | R         |  |   |   |   |   | 3 |        | 6                                   | SALEABLE                             |                        | 34951-0610 | 34951-0620 |
| KEY A, BLACK, W/O CPA                     | 33472-0742           | A-BLK   | GC          | PLR |     | M        | R         | 1  |   |   |   |   |   | 5      | 6                                   | SALEABLE                             |                        | 34951-0610 | 34951-0620 |
| KEY B, LIGHT GRAY, W/O CPA                | 33472-0743           | B-LG  | GC          | PLR |     | M        | R         | 1  |   |   |   |   |   | 5      | 6                                   | SALEABLE                             |                        | 34951-0610 | 34951-0620 |



**MX150 RECEPTACLE 2X3 SEALED ASSEMBLY MAT SEAL  
BOM AND PIN OUT SHEET**

| ASSEMBLY DESCRIPTION                 | ASSEMBLY PART NUMBER | COMPONENT   |             |     |     |          |           |   | BLOCKED TERMINALS  |   |   |   |   |   | STATUS   | COMMENTS | OPTIONAL ATTACHMENTS SOLD SEPERATELY |                        |
|--------------------------------------|----------------------|---|-------------|-----|-----|----------|-----------|---|--|---|---|---|---|---|----------|----------|--------------------------------------|------------------------|
|                                      |                      | THE PRESENCE OF AN ABBREVIATION INDICATES THE PRESENCE OF THAT COMPONENT. |             |     |     |          |           |   | CAVITY WITH A NUMBER INDICATES BLOCKED TERMINAL POSITION<br>CAVITY WITHOUT A NUMBER INDICATES OPEN TERMINAL POSITION |   |   |   |   |   |          |          | BACKSHELL WITH RIBS                  | BACKSHELL WITHOUT RIBS |
|                                      |                      | HOUSING KEY/COLOR   | GROMMET CAP | PLR | CPA | MAT SEAL | RING SEAL | 1 | 2  | 3 | 4 | 5 | 6 |   |          |          |                                      |                        |
| KEY A, BLACK, WITH CLIPSLOT, W/CPA   | 33472-0744           | A-BLK-CLIP  | GC          | PLR | CPA | M        | R         |   |  | 3 |   |   |   |   | SALEABLE |          | N/A                                  | N/A                    |
| KEY A, BLACK, WITH CLIPSLOT, W/O CPA | 33472-0745           | A-BLK-CLIP  | GC          | PLR |     | M        | R         | 1 |  |   |   | 4 |   |   | SALEABLE |          | N/A                                  | N/A                    |
| KEY B, LIGHT GRAY, W/CPA             | 33472-0746           | B-LG  | GC          | PLR | CPA | M        | R         |   |  |   |   | 4 | 5 | 6 | SALEABLE |          | 34951-0610                           | 34951-0620             |
| KEY A, BLACK, W/CPA                  | 33472-0747           | A-BLK   | GC          | PLR | CPA | M        | R         |   | 2  | 3 |   | 4 | 5 |   | SALEABLE |          | 34951-0610                           | 34951-0620             |
| KEY C, DARK GRAY, W/O CPA            | 33472-0748           | C-DG  | GC          | PLR |     | M        | R         |   |  |   |   |   |   | 6 | SALEABLE |          | 34951-0610                           | 34951-0620             |
| KEY C, DARK GRAY, W/O CPA            | 33472-0749           | C-DG  | GC          | PLR |     | M        | R         | 1 | 2  | 3 |   | 4 | 5 | 6 | SALEABLE |          | 34951-0610                           | 34951-0620             |
| KEY D, STONE GRAY, W/O CPA           | 33472-0750           | D-SG  | GC          | PLR |     | M        | R         | 1 | 2  | 3 |   | 4 | 5 | 6 | SALEABLE |          | 34951-0610                           | 34951-0620             |
| KEY A, BLACK, W/O CPA                | 33472-0751           | A-BLK   | GC          | PLR |     | M        | R         |   | 2  | 3 |   |   |   |   | SALEABLE |          | 34951-0610                           | 34951-0620             |
| KEY A, BLACK, WITH CLIPSLOT, W/CPA   | 33472-0752           | A-BLK-CLIP  | GC          | PLR | CPA | M        | R         | 1 |  |   |   |   | 5 | 6 | SALEABLE |          | N/A                                  | N/A                    |
| KEY A, BLACK, WITH CLIPSLOT, W/CPA   | 33472-0753           | A-BLK-CLIP  | GC          | PLR | CPA | M        | R         |   |  |   |   |   |   | 6 | SALEABLE |          | N/A                                  | N/A                    |
| KEY A, BLACK, W/CPA                  | 33472-0754           | A-BLK   | GC          | PLR | CPA | M        | R         |   |  |   |   |   | 5 |   | SALEABLE |          | 34951-0610                           | 34951-0620             |
| KEY A, BLACK, WITH CLIPSLOT, W/CPA   | 33472-0755           | A-BLK-CLIP  | GC          | PLR | CPA | M        | R         |   |  |   |   |   | 5 | 6 | SALEABLE |          | N/A                                  | N/A                    |
| KEY A, BLACK, W/CPA                  | 33472-0756           | A-BLK   | GC          | PLR | CPA | M        | R         | 1 | 2  | 3 |   | 4 |   |   | SALEABLE |          | 34951-0610                           | 34951-0620             |
| KEY B, LIGHT GRAY, W/O CPA           | 33472-0757           | B-LG  | GC          | PLR |     | M        | R         | 1 |  |   |   |   |   |   | SALEABLE |          | 34951-0610                           | 34951-0620             |
| KEY A, BLACK, WITH CLIPSLOT, W/O CPA | 33472-7001           | A-BLK-CLIP  | GC          | PLR |     | M        | R         |   |  | 3 |   | 4 |   | 6 | SALEABLE |          | N/A                                  | N/A                    |

MX150 RECEPTACLE 2X4 SEALED ASSEMBLY MAT SEAL  
BOM AND PIN OUT SHEET



| ABBREVIATION | DESCRIPTION                            | COLOR      | MATERIAL                       |
|--------------|--|------------|--------------------------------|
| A-BLK        | HOUSING, KEYING OPTION A               | BLACK      | SPS/NYLON GF20                 |
| B-LG         | HOUSING, KEYING OPTION B               | LIGHT GRAY | SPS/NYLON GF20                 |
| C-BR         | HOUSING, KEYING OPTION C               | BROWN      | SPS/NYLON GF20                 |
| D-GR         | HOUSING, KEYING OPTION D               | GREEN      | SPS/NYLON GF20                 |
| C-DG         | HOUSING, KEYING OPTION C               | DARK GRAY  | SPS/NYLON GF20                 |
| D-SG         | HOUSING, KEYING OPTION D               | STONE GRAY | SPS/NYLON GF20                 |
| D-BLK        | HOUSING, KEYING OPTION D               | BLACK      | SPS/NYLON GF20                 |
| A-YW         | HOUSING, KEYING OPTION A               | YELLOW     | SPS/NYLON GF20                 |
| A-BLK-CLIP   | HOUSING, KEYING OPTION A WITH CLIPSLOT | BLACK      | SPS/NYLON GF20                 |
| B-LG-CLIP    | HOUSING, KEYING OPTION B WITH CLIPSLOT | LIGHT GRAY | SPS/NYLON GF20                 |
| C-BR-CLIP    | HOUSING, KEYING OPTION C WITH CLIPSLOT | BROWN      | SPS/NYLON GF20                 |
| D-GR-CLIP    | HOUSING, KEYING OPTION D WITH CLIPSLOT | GREEN      | SPS/NYLON GF20                 |
| C-DG-CLIP    | HOUSING, KEYING OPTION C WITH CLIPSLOT | DARK GRAY  | SPS/NYLON GF20                 |
| D-SG-CLIP    | HOUSING, KEYING OPTION D WITH CLIPSLOT | STONE GRAY | SPS/NYLON GF20                 |
| D-BLK-CLIP   | HOUSING, KEYING OPTION D WITH CLIPSLOT | BLACK      | SPS/NYLON GF20                 |
| GCO          | GROMMET CAP (OPEN)                     | BLACK      | SPS/NYLON GF20                 |
| GCP          | GROMMET CAP (PLUGGED)                  | BLACK      | SPS/NYLON GF20                 |
| PLR          | PLR                                    | NATURAL    | SPS/NYLON GF20                 |
| CPA          | CPA                                    | RED        | PBT GF30                       |
| M            | MAT SEAL                               | LIGHT BLUE | INHERENTLY LUBRICATED SILICONE |
| RG           | RING SEAL                              | GREEN      | INHERENTLY LUBRICATED SILICONE |
| RR           | RING SEAL                              | RUST RED   | INHERENTLY LUBRICATED SILICONE |

FOR ADDITIONAL INFORMATION SEE SD-33472-0001

| ASSEMBLY DESCRIPTION       | ASSEMBLY PART NUMBER | COMPONENT   |             |     |     |          |           |   | BLOCKED TERMINALS  |   |   |   |   |   |   |   | STATUS            | COMMENTS           | OPTIONAL ATTACHMENTS SOLD SEPERATELY |                        |                       |                          |
|----------------------------|----------------------|---|-------------|-----|-----|----------|-----------|---|--|---|---|---|---|---|---|---|-------------------|--------------------|--------------------------------------|------------------------|-----------------------|--------------------------|
|                            |                      | THE PRESENCE OF AN ABBREVIATION INDICATES THE PRESENCE OF THAT COMPONENT. |             |     |     |          |           |   | CAVITY WITH A NUMBER INDICATES BLOCKED TERMINAL POSITION<br>CAVITY WITHOUT A NUMBER INDICATES OPEN TERMINAL POSITION |   |   |   |   |   |   |   |                   |                    | BACKSHELL WITH RIBS                  | BACKSHELL WITHOUT RIBS | 90° ADAPTOR WITH RIBS | 90° ADAPTOR WITHOUT RIBS |
|                            |                      | HOUSING KEY/COLOR   | GROMMET CAP | PLR | CPA | MAT SEAL | RING SEAL | 1 | 2  | 3 | 4 | 5 | 6 | 7 | 8 |   |                   |                    |                                      |                        |                       |                          |
| KEY A, BLACK, W/O CPA      | 33472-0801           | A-BLK   | GCO         | PLR |     | M        | RG        |   |  |   |   |   |   |   |   |   | PLANNED OBSOLESCE |                    | N/A                                  | N/A                    | N/A                   | N/A                      |
| KEY B, LIGHT GRAY, W/O CPA | 33472-0802           | B-LG  | GCO         | PLR |     | M        | RG        |   |  |   |   |   |   |   |   |   | PLANNED OBSOLESCE |                    | N/A                                  | N/A                    | N/A                   | N/A                      |
| KEY C, BROWN, W/O CPA      | 33472-0803           | C-BR  | GCO         | PLR |     | M        | RG        |   |  |   |   |   |   |   |   |   | PLANNED OBSOLESCE | SEE P/N 33472-0879 | N/A                                  | N/A                    | N/A                   | N/A                      |
| KEY D, GREEN, W/O CPA      | 33472-0804           | D-GR  | GCO         | PLR |     | M        | RG        |   |  |   |   |   |   |   |   |   | PLANNED OBSOLESCE | SEE P/N 33472-0880 | N/A                                  | N/A                    | N/A                   | N/A                      |
| KEY D, BLACK, W/O CPA      | 33472-0805           | D-BLK   | GCO         | PLR |     | M        | RG        |   |  |   |   |   |   |   |   |   | PLANNED OBSOLESCE |                    | N/A                                  | N/A                    | N/A                   | N/A                      |
| KEY A, BLACK, W/CPA        | 33472-0806           | A-BLK   | GCO         | PLR | CPA | M        | RG        |   |  |   |   |   |   |   |   |   | PLANNED OBSOLESCE |                    | N/A                                  | N/A                    | N/A                   | N/A                      |
| KEY B, LIGHT GRAY, W/CPA   | 33472-0807           | B-LG  | GCO         | PLR | CPA | M        | RG        |   |  |   |   |   |   |   |   |   | PLANNED OBSOLESCE |                    | N/A                                  | N/A                    | N/A                   | N/A                      |
| KEY C, BROWN, W/CPA        | 33472-0808           | C-BR  | GCO         | PLR | CPA | M        | RG        |   |  |   |   |   |   |   |   |   | PLANNED OBSOLESCE | SEE P/N 33472-0881 | N/A                                  | N/A                    | N/A                   | N/A                      |
| KEY D, GREEN, W/CPA        | 33472-0809           | D-GR  | GCO         | PLR | CPA | M        | RG        |   |  |   |   |   |   |   |   |   | PLANNED OBSOLESCE | SEE P/N 33472-0882 | N/A                                  | N/A                    | N/A                   | N/A                      |
| VOID KEY                   | 33472-0810           |   |             |     |     |          |           |   |  |   |   |   |   |   |   |   |                   |                    |                                      |                        |                       |                          |
| KEY A, BLACK, W/O CPA      | 33472-0811           | A-BLK   | GCP         | PLR |     | M        | RG        |   |  |   |   |   |   |   | 4 |   | PLANNED OBSOLESCE |                    | N/A                                  | N/A                    | N/A                   | N/A                      |
| KEY B, LIGHT GRAY, W/O CPA | 33472-0812           | B-LG  | GCP         | PLR |     | M        | RG        |   |  |   |   |   |   |   | 4 |   | PLANNED OBSOLESCE |                    | N/A                                  | N/A                    | N/A                   | N/A                      |
| KEY C, BROWN, W/O CPA      | 33472-0813           | C-BR  | GCP         | PLR |     | M        | RG        |   |  |   |   |   |   |   | 4 |   | PLANNED OBSOLESCE |                    | N/A                                  | N/A                    | N/A                   | N/A                      |
| KEY D, GREEN, W/O CPA      | 33472-0814           | D-GR  | GCP         | PLR |     | M        | RG        |   |  |   |   |   |   |   | 4 |   | PLANNED OBSOLESCE |                    | N/A                                  | N/A                    | N/A                   | N/A                      |
| VOID KEY                   | 33472-0815           |   |             |     |     |          |           |   |  |   |   |   |   |   |   |   |                   |                    |                                      |                        |                       |                          |
| KEY A, BLACK, W/CPA        | 33472-0816           | A-BLK   | GCP         | PLR | CPA | M        | RG        |   |  |   |   |   |   |   | 4 |   | PLANNED OBSOLESCE |                    | N/A                                  | N/A                    | N/A                   | N/A                      |
| KEY B, LIGHT GRAY, W/CPA   | 33472-0817           | B-LG  | GCP         | PLR | CPA | M        | RG        |   |  |   |   |   |   |   | 4 |   | PLANNED OBSOLESCE |                    | N/A                                  | N/A                    | N/A                   | N/A                      |
| KEY C, BROWN, W/CPA        | 33472-0818           | C-BR  | GCP         | PLR | CPA | M        | RG        |   |  |   |   |   |   |   | 4 |   | PLANNED OBSOLESCE |                    | N/A                                  | N/A                    | N/A                   | N/A                      |
| KEY D, GREEN, W/CPA        | 33472-0819           | D-GR  | GCP         | PLR | CPA | M        | RG        |   |  |   |   |   |   |   | 4 |   | PLANNED OBSOLESCE | SEE P/N 33472-1009 | N/A                                  | N/A                    | N/A                   | N/A                      |
| VOID KEY                   | 33472-0820           |   |             |     |     |          |           |   |  |   |   |   |   |   |   |   |                   |                    |                                      |                        |                       |                          |
| KEY A, BLACK, W/O CPA      | 33472-0821           | A-BLK   | GCP         | PLR |     | M        | RG        |   |  |   |   |   |   |   | 4 | 5 | PLANNED OBSOLESCE |                    | N/A                                  | N/A                    | N/A                   | N/A                      |
| KEY B, LIGHT GRAY, W/O CPA | 33472-0822           | B-LG  | GCP         | PLR |     | M        | RG        |   |  |   |   |   |   |   | 4 | 5 | PLANNED OBSOLESCE |                    | N/A                                  | N/A                    | N/A                   | N/A                      |
| KEY C, BROWN, W/O CPA      | 33472-0823           | C-BR  | GCP         | PLR |     | M        | RG        |   |  |   |   |   |   |   | 4 | 5 | PLANNED OBSOLESCE |                    | N/A                                  | N/A                    | N/A                   | N/A                      |
| KEY D, GREEN, W/O CPA      | 33472-0824           | D-GR  | GCP         | PLR |     | M        | RG        |   |  |   |   |   |   |   | 4 | 5 | PLANNED OBSOLESCE |                    | N/A                                  | N/A                    | N/A                   | N/A                      |
| VOID KEY                   | 33472-0825           |   |             |     |     |          |           |   |  |   |   |   |   |   |   |   |                   |                    |                                      |                        |                       |                          |
| KEY A, BLACK, W/CPA        | 33472-0826           | A-BLK   | GCP         | PLR | CPA | M        | RG        |   |  |   |   |   |   |   | 4 | 5 | PLANNED OBSOLESCE |                    | N/A                                  | N/A                    | N/A                   | N/A                      |
| KEY B, LIGHT GRAY, W/CPA   | 33472-0827           | B-LG  | GCP         | PLR | CPA | M        | RG        |   |  |   |   |   |   |   | 4 | 5 | PLANNED OBSOLESCE |                    | N/A                                  | N/A                    | N/A                   | N/A                      |
| KEY C, BROWN, W/CPA        | 33472-0828           | C-BR  | GCP         | PLR | CPA | M        | RG        |   |  |   |   |   |   |   | 4 | 5 | PLANNED OBSOLESCE |                    | N/A                                  | N/A                    | N/A                   | N/A                      |
| KEY D, GREEN, W/CPA        | 33472-0829           | D-GR  | GCP         | PLR | CPA | M        | RG        |   |  |   |   |   |   |   | 4 | 5 | PLANNED OBSOLESCE | SEE P/N 33472-1010 | N/A                                  | N/A                    | N/A                   | N/A                      |
| VOID KEY                   | 33472-0830           |   |             |     |     |          |           |   |  |   |   |   |   |   |   |   |                   |                    |                                      |                        |                       |                          |
| KEY A, BLACK, W/O CPA      | 33472-0831           | A-BLK   | GCP         | PLR |     | M        | RG        | 1 |  |   |   |   |   |   | 4 | 5 | PLANNED OBSOLESCE |                    | N/A                                  | N/A                    | N/A                   | N/A                      |
| KEY B, LIGHT GRAY, W/O CPA | 33472-0832           | B-LG  | GCP         | PLR |     | M        | RG        | 1 |  |   |   |   |   |   | 4 | 5 | PLANNED OBSOLESCE |                    | N/A                                  | N/A                    | N/A                   | N/A                      |
| KEY C, BROWN, W/O CPA      | 33472-0833           | C-BR  | GCP         | PLR |     | M        | RG        | 1 |  |   |   |   |   |   | 4 | 5 | PLANNED OBSOLESCE |                    | N/A                                  | N/A                    | N/A                   | N/A                      |
| KEY D, GREEN, W/O CPA      | 33472-0834           | D-GR  | GCP         | PLR |     | M        | RG        | 1 |  |   |   |   |   |   | 4 | 5 | PLANNED OBSOLESCE |                    | N/A                                  | N/A                    | N/A                   | N/A                      |
| VOID KEY                   | 33472-0835           |   |             |     |     |          |           |   |  |   |   |   |   |   |   |   |                   |                    |                                      |                        |                       |                          |
| KEY A, BLACK, W/CPA        | 33472-0836           | A-BLK   | GCP         | PLR | CPA | M        | RG        | 1 |  |   |   |   |   |   | 4 | 5 | PLANNED OBSOLESCE |                    | N/A                                  | N/A                    | N/A                   | N/A                      |
| KEY B, LIGHT GRAY, W/CPA   | 33472-0837           | B-LG  | GCP         | PLR | CPA | M        | RG        | 1 |  |   |   |   |   |   | 4 | 5 | PLANNED OBSOLESCE |                    | N/A                                  | N/A                    | N/A                   | N/A                      |
| KEY C, BROWN, W/CPA        | 33472-0838           | C-BR  | GCP         | PLR | CPA | M        | RG        | 1 |  |   |   |   |   |   | 4 | 5 | PLANNED OBSOLESCE |                    | N/A                                  | N/A                    | N/A                   | N/A                      |
| KEY D, GREEN, W/CPA        | 33472-0839           | D-GR  | GCP         | PLR | CPA | M        | RG        | 1 |  |   |   |   |   |   | 4 | 5 | PLANNED OBSOLESCE |                    | N/A                                  | N/A                    | N/A                   | N/A                      |
| VOID KEY                   | 33472-0840           |   |             |     |     |          |           |   |  |   |   |   |   |   |   |   |                   |                    |                                      |                        |                       |                          |
| KEY A, BLACK, W/O CPA      | 33472-0841           | A-BLK   | GCP         | PLR |     | M        | RG        | 1 |  |   |   |   |   |   | 4 | 5 | PLANNED OBSOLESCE |                    | N/A                                  | N/A                    | N/A                   | N/A                      |
| KEY B, LIGHT GRAY, W/O CPA | 33472-0842           | B-LG  | GCP         | PLR |     | M        | RG        | 1 |  |   |   |   |   |   | 4 | 5 | PLANNED OBSOLESCE |                    | N/A                                  | N/A                    | N/A                   | N/A                      |
| KEY C, BROWN, W/O CPA      | 33472-0843           | C-BR  | GCP         | PLR |     | M        | RG        | 1 |  |   |   |   |   |   | 4 | 5 | PLANNED OBSOLESCE |                    | N/A                                  | N/A                    | N/A                   | N/A                      |
| KEY D, GREEN, W/O CPA      | 33472-0844           | D-GR  | GCP         | PLR |     | M        | RG        | 1 |  |   |   |   |   |   | 4 | 5 | PLANNED OBSOLESCE |                    | N/A                                  | N/A                    | N/A                   | N/A                      |
| VOID KEY                   | 33472-0845           |   |             |     |     |          |           |   |  |   |   |   |   |   |   |   |                   |                    |                                      |                        |                       |                          |
| KEY A, BLACK, W/CPA        | 33472-0846           | A-BLK   | GCP         | PLR | CPA | M        | RG        | 1 |  |   |   |   |   |   | 4 | 5 | PLANNED OBSOLESCE |                    | N/A                                  | N/A                    | N/A                   | N/A                      |
| KEY B, LIGHT GRAY, W/CPA   | 33472-0847           | B-LG  | GCP         | PLR | CPA | M        | RG        | 1 |  |   |   |   |   |   | 4 | 5 | PLANNED OBSOLESCE |                    | N/A                                  | N/A                    | N/A                   | N/A                      |
| KEY C, BROWN, W/CPA        | 33472-0848           | C-BR  | GCP         | PLR | CPA | M        | RG        | 1 |  |   |   |   |   |   | 4 | 5 | PLANNED OBSOLESCE |                    | N/A                                  | N/A                    | N/A                   | N/A                      |
| KEY D, GREEN, W/CPA        | 33472-0849           | D-GR  | GCP         | PLR | CPA | M        | RG        | 1 |  |   |   |   |   |   | 4 | 5 | PLANNED OBSOLESCE |                    | N/A                                  | N/A                    | N/A                   | N/A                      |
| VOID KEY                   | 33472-0850           |   |             |     |     |          |           |   |  |   |   |   |   |   |   |   |                   |                    |                                      |                        |                       |                          |

MX150 RECEPTACLE 2X4 SEALED ASSEMBLY MAT SEAL  
BOM AND PIN OUT SHEET

| ASSEMBLY DESCRIPTION       | ASSEMBLY PART NUMBER | COMPONENT   |             |     |     |          |           | BLOCKED TERMINALS  |   |   |   |   |   |   |   | STATUS               | COMMENTS             | OPTIONAL ATTACHMENTS SOLD SEPERATELY |                        |                       |                          |     |
|----------------------------|----------------------|---|-------------|-----|-----|----------|-----------|--|---|---|---|---|---|---|---|----------------------|----------------------|--------------------------------------|------------------------|-----------------------|--------------------------|-----|
|                            |                      | THE PRESENCE OF AN ABBREVIATION INDICATES THE PRESENCE OF THAT COMPONENT. |             |     |     |          |           | CAVITY WITH A NUMBER INDICATES BLOCKED TERMINAL POSITION<br>CAVITY WITHOUT A NUMBER INDICATES OPEN TERMINAL POSITION |   |   |   |   |   |   |   |                      |                      | BACKSHELL WITH RIBS                  | BACKSHELL WITHOUT RIBS | 90° ADAPTOR WITH RIBS | 90° ADAPTOR WITHOUT RIBS |     |
|                            |                      | HOUSING KEY/COLOR   | GROMMET CAP | PLR | CPA | MAT SEAL | RING SEAL | 1  | 2 | 3 | 4 | 5 | 6 | 7 | 8 |                      |                      |                                      |                        |                       |                          |     |
| KEY A, BLACK, W/O CPA      | 33472-0851           | A-BLK   | GCP         | PLR |     | M        | RG        | 1  | 2 | 3 | 4 | 5 | 6 | 7 | 8 | PLANNED OBSOLESCENCE |                      | N/A                                  | N/A                    | N/A                   | N/A                      |     |
| KEY B, LIGHT GRAY, W/O CPA | 33472-0852           | B-LG  | GCP         | PLR |     | M        | RG        | 1  | 2 | 3 | 4 | 5 | 6 | 7 | 8 | PLANNED OBSOLESCENCE |                      | N/A                                  | N/A                    | N/A                   | N/A                      |     |
| KEY C, BROWN, W/O CPA      | 33472-0853           | C-BR  | GCP         | PLR |     | M        | RG        | 1  | 2 | 3 | 4 | 5 | 6 | 7 | 8 | PLANNED OBSOLESCENCE |                      | N/A                                  | N/A                    | N/A                   | N/A                      |     |
| KEY D, GREEN, W/O CPA      | 33472-0854           | D-GR  | GCP         | PLR |     | M        | RG        | 1  | 2 | 3 | 4 | 5 | 6 | 7 | 8 | PLANNED OBSOLESCENCE |                      | N/A                                  | N/A                    | N/A                   | N/A                      |     |
| KEY D, BLACK, W/O CPA      | 33472-0855           | D-BLK   | GCP         | PLR |     | M        | RG        | 1  | 2 | 3 | 4 | 5 | 6 | 7 | 8 | PLANNED OBSOLESCENCE |                      | N/A                                  | N/A                    | N/A                   | N/A                      |     |
| KEY A, BLACK, W/CPA        | 33472-0856           | A-BLK   | GCP         | PLR | CPA | M        | RG        |  | 2 |   |   |   | 6 | 7 |   | PLANNED OBSOLESCENCE |                      | N/A                                  | N/A                    | N/A                   | N/A                      |     |
| KEY A, BLACK, W/CPA        | 33472-0857           | A-BLK   | GCP         | PLR | CPA | M        | RG        | 1  | 2 |   |   |   | 5 | 6 | 7 | PLANNED OBSOLESCENCE |                      | N/A                                  | N/A                    | N/A                   | N/A                      |     |
| KEY A, BLACK, W/CPA        | 33472-0858           | A-BLK   | GCP         | PLR | CPA | M        | RG        | 1  | 2 | 3 |   |   | 5 | 6 | 7 | PLANNED OBSOLESCENCE |                      | N/A                                  | N/A                    | N/A                   | N/A                      |     |
| KEY A, BLACK, W/O CPA      | 33472-0859           | A-BLK   | GCP         | PLR |     | M        | RG        | 1  | 2 | 3 |   |   |   | 6 | 7 | 8                    | PLANNED OBSOLESCENCE |                                      | N/A                    | N/A                   | N/A                      | N/A |
| KEY D, BLACK, W/O CPA      | 33472-0860           | D-BLK   | GCP         | PLR |     | M        | RG        |  |   |   | 4 |   |   |   |   | PLANNED OBSOLESCENCE |                      | N/A                                  | N/A                    | N/A                   | N/A                      |     |
| KEY A, BLACK, W/O CPA      | 33472-0861           | A-BLK   | GCP         | PLR |     | M        | RG        |  |   |   |   |   |   |   | 8 | PLANNED OBSOLESCENCE |                      | N/A                                  | N/A                    | N/A                   | N/A                      |     |
| KEY A, BLACK, W/O CPA      | 33472-0862           | A-BLK   | GCP         | PLR |     | M        | RG        | 1  |   |   |   |   |   |   |   | PLANNED OBSOLESCENCE |                      | N/A                                  | N/A                    | N/A                   | N/A                      |     |
| KEY A, BLACK, W/O CPA      | 33472-0863           | A-BLK   | GCP         | PLR |     | M        | RG        |  | 2 |   |   |   | 5 |   |   | 8                    | PLANNED OBSOLESCENCE |                                      | N/A                    | N/A                   | N/A                      | N/A |
| KEY A, BLACK, W/O CPA      | 33472-0864           | A-BLK   | GCP         | PLR |     | M        | RG        | 1  |   | 3 |   |   | 5 |   |   | PLANNED OBSOLESCENCE |                      | N/A                                  | N/A                    | N/A                   | N/A                      |     |
| KEY A, BLACK, W/O CPA      | 33472-0865           | A-BLK   | GCP         | PLR |     | M        | RG        | 1  |   |   |   |   | 6 |   |   | PLANNED OBSOLESCENCE |                      | N/A                                  | N/A                    | N/A                   | N/A                      |     |
| KEY A, BLACK, W/O CPA      | 33472-0866           | A-BLK   | GCP         | PLR |     | M        | RG        |  | 2 |   |   |   | 5 | 6 |   | 8                    | PLANNED OBSOLESCENCE |                                      | N/A                    | N/A                   | N/A                      | N/A |
| KEY A, BLACK, W/O CPA      | 33472-0867           | A-BLK   | GCP         | PLR |     | M        | RG        | 1  |   | 3 |   |   | 5 | 6 |   | PLANNED OBSOLESCENCE |                      | N/A                                  | N/A                    | N/A                   | N/A                      |     |
| KEY A, BLACK, W/O CPA      | 33472-0868           | A-BLK   | GCP         | PLR |     | M        | RG        |  |   |   |   |   | 5 | 6 | 8 | PLANNED OBSOLESCENCE |                      | N/A                                  | N/A                    | N/A                   | N/A                      |     |
| KEY A, BLACK, W/O CPA      | 33472-0869           | A-BLK   | GCP         | PLR |     | M        | RG        |  |   |   |   |   | 6 |   |   | PLANNED OBSOLESCENCE |                      | N/A                                  | N/A                    | N/A                   | N/A                      |     |
| KEY A, BLACK, W/O CPA      | 33472-0870           | A-BLK   | GCP         | PLR |     | M        | RG        | 1  |   | 3 |   |   | 5 | 6 | 7 | 8                    | PLANNED OBSOLESCENCE |                                      | N/A                    | N/A                   | N/A                      | N/A |
| KEY A, BLACK, W/O CPA      | 33472-0871           | A-BLK   | GCP         | PLR |     | M        | RG        |  | 2 | 3 | 4 | 5 | 6 | 7 | 8 | PLANNED OBSOLESCENCE |                      | N/A                                  | N/A                    | N/A                   | N/A                      |     |
| KEY A, BLACK, W/O CPA      | 33472-0872           | A-BLK   | GCP         | PLR |     | M        | RG        |  |   |   |   |   |   | 7 | 8 | PLANNED OBSOLESCENCE |                      | N/A                                  | N/A                    | N/A                   | N/A                      |     |
| KEY A, BLACK, W/O CPA      | 33472-0873           | A-BLK   | GCP         | PLR |     | M        | RG        |  | 2 | 3 |   |   |   | 6 | 7 | 8                    | PLANNED OBSOLESCENCE |                                      | N/A                    | N/A                   | N/A                      | N/A |
| KEY A, BLACK, W/O CPA      | 33472-0874           | A-BLK   | GCP         | PLR |     | M        | RG        |  | 2 | 3 |   |   |   |   |   | PLANNED OBSOLESCENCE |                      | N/A                                  | N/A                    | N/A                   | N/A                      |     |
| KEY A, BLACK, W/O CPA      | 33472-0875           | A-BLK   | GCP         | PLR |     | M        | RG        | 1  |   |   | 4 |   |   |   |   | PLANNED OBSOLESCENCE |                      | N/A                                  | N/A                    | N/A                   | N/A                      |     |
| KEY A, BLACK, W/O CPA      | 33472-0876           | A-BLK   | GCP         | PLR |     | M        | RG        |  | 2 | 3 |   |   | 5 | 6 | 7 | 8                    | PLANNED OBSOLESCENCE |                                      | N/A                    | N/A                   | N/A                      | N/A |
| KEY A, BLACK, W/CPA        | 33472-0877           | A-BLK   | GCP         | PLR | CPA | M        | RG        |  |   |   |   |   |   |   | 8 | PLANNED OBSOLESCENCE |                      | N/A                                  | N/A                    | N/A                   | N/A                      |     |
| KEY A, BLACK, W/O CPA      | 33472-0878           | A-BLK   | GCP         | PLR |     | M        | RG        |  |   | 3 |   |   | 5 | 6 |   | PLANNED OBSOLESCENCE |                      | N/A                                  | N/A                    | N/A                   | N/A                      |     |
| KEY C, DARK GRAY, W/O CPA  | 33472-0879           | C-DG  | GCO         | PLR |     | M        | RG        |  |   |   |   |   |   |   |   | PLANNED OBSOLESCENCE |                      | N/A                                  | N/A                    | N/A                   | N/A                      |     |
| KEY D, STONE GRAY, W/O CPA | 33472-0880           | D-SG  | GCO         | PLR |     | M        | RG        |  |   |   |   |   |   |   |   | PLANNED OBSOLESCENCE |                      | N/A                                  | N/A                    | N/A                   | N/A                      |     |
| KEY C, DARK GRAY, W/CPA    | 33472-0881           | C-DG  | GCO         | PLR | CPA | M        | RG        |  |   |   |   |   |   |   |   | PLANNED OBSOLESCENCE |                      | N/A                                  | N/A                    | N/A                   | N/A                      |     |
| KEY D, STONE GRAY, W/CPA   | 33472-0882           | D-SG  | GCO         | PLR | CPA | M        | RG        |  |   |   |   |   |   |   |   | PLANNED OBSOLESCENCE |                      | N/A                                  | N/A                    | N/A                   | N/A                      |     |
| KEY A, BLACK, W/O CPA      | 33472-0883           | A-BLK   | GCP         | PLR |     | M        | RG        |  | 2 | 3 | 4 | 5 |   |   | 7 | 8                    | PLANNED OBSOLESCENCE |                                      | N/A                    | N/A                   | N/A                      | N/A |
| KEY A, BLACK, W/O CPA      | 33472-0884           | A-BLK   | GCP         | PLR |     | M        | RG        |  |   | 3 |   |   | 6 | 7 |   | PLANNED OBSOLESCENCE |                      | N/A                                  | N/A                    | N/A                   | N/A                      |     |
| KEY A, BLACK, W/O CPA      | 33472-0885           | A-BLK   | GCP         | PLR |     | M        | RG        |  | 2 | 3 | 4 | 5 | 6 |   | 8 | PLANNED OBSOLESCENCE |                      | N/A                                  | N/A                    | N/A                   | N/A                      |     |
| KEY A, BLACK, W/O CPA      | 33472-0886           | A-BLK   | GCP         | PLR |     | M        | RG        |  |   | 3 |   |   | 6 |   | 8 | PLANNED OBSOLESCENCE |                      | N/A                                  | N/A                    | N/A                   | N/A                      |     |
| KEY B, LIGHT GRAY, W/CPA   | 33472-0887           | B-LG  | GCP         | PLR | CPA | M        | RG        |  |   |   |   |   |   |   | 8 | PLANNED OBSOLESCENCE |                      | N/A                                  | N/A                    | N/A                   | N/A                      |     |
| KEY B, LIGHT GRAY, W/O CPA | 33472-0888           | B-LG  | GCP         | PLR |     | M        | RG        | 1  |   |   |   |   | 6 |   |   | PLANNED OBSOLESCENCE |                      | N/A                                  | N/A                    | N/A                   | N/A                      |     |
| KEY A, BLACK, W/O CPA      | 33472-0889           | A-BLK   | GCP         | PLR |     | M        | RG        | 1  |   |   |   |   | 5 |   |   | PLANNED OBSOLESCENCE |                      | N/A                                  | N/A                    | N/A                   | N/A                      |     |
| KEY A, YELLOW, W/CPA       | 33472-0890           | A-YW  | GCP         | PLR | CPA | M        | RG        |  | 2 | 3 |   |   |   |   |   | PLANNED OBSOLESCENCE |                      | N/A                                  | N/A                    | N/A                   | N/A                      |     |
| KEY A, YELLOW, W/CPA       | 33472-0891           | A-YW  | GCO         | PLR | CPA | M        | RG        |  |   |   |   |   |   |   |   | PLANNED OBSOLESCENCE |                      | N/A                                  | N/A                    | N/A                   | N/A                      |     |
| KEY A, YELLOW, W/O CPA     | 33472-0892           | A-YW  | GCO         | PLR |     | M        | RG        |  |   |   |   |   |   |   |   | PLANNED OBSOLESCENCE |                      | N/A                                  | N/A                    | N/A                   | N/A                      |     |
| KEY A, BLACK, W/CPA        | 33472-0893           | A-BLK   | GCP         | PLR | CPA | M        | RG        |  |   |   |   |   | 6 |   |   | PLANNED OBSOLESCENCE |                      | N/A                                  | N/A                    | N/A                   | N/A                      |     |
| KEY A, BLACK, W/CPA        | 33472-0894           | A-BLK   | GCP         | PLR | CPA | M        | RG        | 1  | 2 | 3 |   |   | 6 | 7 | 8 | PLANNED OBSOLESCENCE |                      | N/A                                  | N/A                    | N/A                   | N/A                      |     |
| KEY A, BLACK, W/O CPA      | 33472-0895           | A-BLK   | GCP         | PLR |     | M        | RG        | 1  | 2 |   |   |   |   |   |   | PLANNED OBSOLESCENCE |                      | N/A                                  | N/A                    | N/A                   | N/A                      |     |
| KEY A, BLACK, W/O CPA      | 33472-1001           | A-BLK   | GCP         | PLR |     | M        | RG        | 1  | 2 | 3 | 4 |   |   |   |   | PLANNED OBSOLESCENCE |                      | N/A                                  | N/A                    | N/A                   | N/A                      |     |
| KEY B, LIGHT GRAY, W/O CPA | 33472-1002           | B-LG  | GCP         | PLR |     | M        | RG        |  |   |   |   |   | 6 |   |   | PLANNED OBSOLESCENCE |                      | N/A                                  | N/A                    | N/A                   | N/A                      |     |
| KEY A, BLACK, W/O CPA      | 33472-1003           | A-BLK   | GCP         | PLR |     | M        | RG        | 1  |   |   | 4 |   |   |   |   | PLANNED OBSOLESCENCE |                      | N/A                                  | N/A                    | N/A                   | N/A                      |     |
| KEY A, BLACK, W/O CPA      | 33472-1004           | A-BLK   | GCP         | PLR |     | M        | RG        |  | 2 | 3 |   |   | 5 | 6 | 7 | 8                    | PLANNED OBSOLESCENCE |                                      | N/A                    | N/A                   | N/A                      | N/A |
| KEY A, BLACK, W/CPA        | 33472-1005           | A-BLK   | GCP         | PLR | CPA | M        | RG        |  |   |   |   |   |   |   | 8 | PLANNED OBSOLESCENCE |                      | N/A                                  | N/A                    | N/A                   | N/A                      |     |
| KEY A, BLACK, W/O CPA      | 33472-1006           | A-BLK   | GCP         | PLR |     | M        | RG        | 1  | 2 | 3 | 4 | 5 | 6 |   |   | PLANNED OBSOLESCENCE |                      | N/A                                  | N/A                    | N/A                   | N/A                      |     |
| KEY A, BLACK, W/CPA        | 33472-1007           | A-BLK   | GCP         | PLR | CPA | M        | RG        |  |   |   |   |   | 6 | 7 |   | PLANNED OBSOLESCENCE |                      | N/A                                  | N/A                    | N/A                   | N/A                      |     |
| KEY A, BLACK, W/CPA        | 33472-1008           | A-BLK   | GCP         | PLR | CPA | M        | RG        |  |   |   |   |   |   | 7 |   | PLANNED OBSOLESCENCE |                      | N/A                                  | N/A                    | N/A                   | N/A                      |     |
| KEY D, STONE GRAY, W/CPA   | 33472-1009           | D-SG  | GCP         | PLR | CPA | M        | RG        |  |   |   | 4 |   |   |   |   | PLANNED OBSOLESCENCE |                      | N/A                                  | N/A                    | N/A                   | N/A                      |     |
| KEY D, STONE GRAY, W/CPA   | 33472-1010           | D-SG  | GCP         | PLR | CPA | M        | RG        |  |   |   | 4 | 5 |   |   |   | PLANNED OBSOLESCENCE |                      | N/A                                  | N/A                    | N/A                   | N/A                      |     |
| KEY D, STONE GRAY, W/CPA   | 33472-1011           | D-SG  | GCP         | PLR | CPA | M        | RG        |  |   |   | 4 | 5 | 6 |   |   | PLANNED OBSOLESCENCE |                      | N/A                                  | N/A                    | N/A                   | N/A                      |     |
| KEY A, BLACK, W/O CPA      | 33472-1012           | A-BLK   | GCP         | PLR |     | M        | RG        |  |   |   |   |   |   | 7 | 8 | PLANNED OBSOLESCENCE |                      | N/A                                  | N/A                    | N/A                   | N/A                      |     |
| KEY A, BLACK, W/CPA        | 33472-1013           | A-BLK   | GCP         | PLR | CPA | M        | RG        |  |   | 3 | 4 | 5 | 6 | 7 | 8 | PLANNED OBSOLESCENCE |                      | N/A                                  | N/A                    | N/A                   | N/A                      |     |
| KEY A, BLACK, W/O CPA      | 33472-1014           | A-BLK   | GCP         | PLR |     | M        | RG        |  |   | 3 | 4 | 5 | 6 | 7 | 8 | PLANNED OBSOLESCENCE |                      | N/A                                  | N/A                    | N/A                   | N/A                      |     |
| KEY A, BLACK, W/CPA        | 33472-1015           | A-BLK   | GCP         | PLR | CPA | M        | RG        |  |   |   | 4 |   |   | 7 | 8 | PLANNED OBSOLESCENCE |                      | N/A                                  | N/A                    | N/A                   | N/A                      |     |
| KEY A, BLACK, W/O CPA      | 33472-1016           | A-BLK   | GCP         | PLR |     | M        | RG        |  |   |   |   |   | 6 | 7 | 8 | PLANNED OBSOLESCENCE |                      | N/A                                  | N/A                    | N/A                   | N/A                      |     |
| KEY A, BLACK, W/O CPA      | 33472-1017           | A-BLK   | GCP         | PLR |     | M        | RG        | 1  |   |   | 3 | 4 |   |   |   | PLANNED OBSOLESCENCE |                      | N/A                                  | N/A                    | N/A                   | N/A                      |     |
| KEY A, BLACK, W/CPA        | 33472-1018           | A-BLK   | GCP         | PLR | CPA | M        | RG        |  |   |   |   |   | 5 | 6 | 7 | 8                    | PLANNED OBSOLESCENCE |                                      | N/A                    | N/A                   | N/A                      | N/A |
| KEY A, BLACK, W/CPA        | 33472-1019           | A-BLK   | GCP         | PLR | CPA | M        | RG        |  |   |   |   |   |   | 7 | 8 | PLANNED OBSOLESCENCE |                      | N/A                                  | N/A                    | N/A                   | N/A                      |     |
| KEY A, BLACK, W/CPA        | 33472-1020           | A-BLK   | GCP         | PLR | CPA | M        | RG        |  | 2 | 3 | 4 |   | 6 | 7 | 8 | PLANNED OBSOLESCENCE |                      | N/A                                  | N/A                    | N/A                   | N/A                      |     |
| KEY A, BLACK, W/CPA        | 33472-1021           | A-BLK   | GCP         | PLR | CPA | M        | RG        | 1  | 2 | 3 | 4 | 5 | 6 | 7 | 8 | PLANNED OBSOLESCENCE |                      | N/A                                  | N/A                    | N/A                   | N/A                      |     |
| KEY A, BLACK, W/CPA        | 33472-1022           | A-BLK   | GCP         | PLR | CPA | M        | RG        | 1  |   |   |   |   | 5 |   |   | PLANNED OBSOLESCENCE |                      | N/A                                  | N/A                    | N/A                   | N/A                      |     |
| KEY A, BLACK, W/O CPA      | 33472-1023           | A-BLK   | GCP         | PLR |     | M        | RG        |  |   |   |   |   | 5 | 6 | 7 | 8                    | PLANNED OBSOLESCENCE |                                      | N/A                    | N/A                   | N/A                      | N/A |
| KEY A, BLACK, W/O CPA      | 33472-1024           | A-BLK   | GCP         | PLR |     | M        | RG        |  |   |   | 3 | 4 |   |   |   | PLANNED OBSOLESCENCE |                      | N/A                                  | N/A                    | N/A                   | N/A                      |     |
| KEY D, STONE GRAY, W/O CPA | 33472-1025           | D-SG  | GCP         | PLR |     | M        | RG        |  |   |   | 4 | 5 | 6 |   |   | PLANNED OBSOLESCENCE |                      | N/A                                  | N/A                    | N/A                   | N/A                      |     |
| KEY D, STONE GRAY, W/O CPA | 33472-1026           | D-SG  | GCP         | PLR |     | M        | RG        |  |   |   | 4 |   |   |   |   | PLANNED OBSOLESCENCE |                      | N/A                                  | N/A                    | N/A                   | N/A                      |     |
| KEY B, LIGHT GRAY, W/O CPA | 33472-1027           | B-LG  | GCP         | PLR |     | M        | RG        |  |   |   |   |   |   |   | 7 | 8                    | PLANNED OBSOLESCENCE |                                      | N/A                    | N/A                   | N/A                      | N/A |
| KEY A, BLACK, W/O CPA      | 33472-1028           | A-BLK   | GCP         | PLR |     | M        | RG        | 1  | 2 | 3 | 4 |   |   |   |   | PLANNED OBSOLESCENCE |                      | N/A                                  | N/A                    | N/A                   | N/A                      |     |
| KEY A, BLACK, W/O CPA      | 33472-1029           | A-BLK   | GCP         | PLR |     | M        | RG        |  |   |   | 3 | 4 |   |   |   | PLANNED OBSOLESCENCE |                      | N/A                                  | N/A                    | N/A                   | N/A                      |     |
| KEY A, BLACK, W/O CPA      | 33472-1030           | A-BLK   | GCP         | PLR |     | M        | RG        | 1  | 2 | 3 | 4 | 5 |   |   | 7 | PLANNED OBSOLESCENCE |                      | N/A                                  | N/A                    | N/A                   | N/A                      |     |
| KEY A, BLACK, W/O CPA      | 33472-1031           | A-BLK   | GCP         | PLR |     | M        | RG        |  |   |   |   |   | 5 |   |   | PLANNED OBSOLESCENCE |                      | N/A                                  | N/A                    | N/A                   | N/A                      |     |
| KEY A, BLACK, W/O CPA      | 33472-1032           | A-BLK   | GCP         | PLR |     | M        | RG        |  | 2 |   |   |   | 5 |   |   | PLANNED OBSOLESCENCE |                      | N/A                                  | N/A                    | N/A                   | N/A                      |     |
| KEY B, LIGHT GRAY, W/O CPA | 33472-1033           | B-LG  | GCP         | PLR |     | M        | RG        | 1  |   |   | 3 |   |   |   | 8 | PLANNED OBSOLESCENCE |                      | N/A                                  | N/A                    | N/A                   | N/A                      |     |
| KEY B, LIGHT GRAY, W/O CPA | 33472-1034           | B-LG  | GCP         | PLR |     | M        | RG        |  |   |   |   |   |   |   | 8 | PLANNED OBSOLESCENCE |                      | N/A                                  | N/A                    | N/A                   | N/A                      |     |
| KEY B, LIGHT GRAY, W/O CPA | 33472-1035           | B-LG  | GCP         | PLR |     | M        | RG        | 1  |   |   |   |   |   |   |   | PLANNED OBSOLESCENCE |                      | N/A                                  | N/A                    |                       |                          |     |



MX150 RECEPTACLE 2X4 SEALED ASSEMBLY MAT SEAL  
BOM AND PIN OUT SHEET

| ASSEMBLY DESCRIPTION                      | ASSEMBLY PART NUMBER | COMPONENT   |             |     |     |          |           |   | BLOCKED TERMINALS  |   |   |   |   |   |   |   | STATUS               | COMMENTS           | OPTIONAL ATTACHMENTS SOLD SEPERATELY |                        |                       |                          |
|---|----------------------|---|-------------|-----|-----|----------|-----------|---|--|---|---|---|---|---|---|---|----------------------|--------------------|--------------------------------------|------------------------|-----------------------|--------------------------|
|   |                      | THE PRESENCE OF AN ABBREVIATION INDICATES THE PRESENCE OF THAT COMPONENT. |             |     |     |          |           |   | CAVITY WITH A NUMBER INDICATES BLOCKED TERMINAL POSITION<br>CAVITY WITHOUT A NUMBER INDICATES OPEN TERMINAL POSITION |   |   |   |   |   |   |   |                      |                    | BACKSHELL WITH RIBS                  | BACKSHELL WITHOUT RIBS | 90° ADAPTOR WITH RIBS | 90° ADAPTOR WITHOUT RIBS |
|   |                      | HOUSING KEY/COLOR   | GROMMET CAP | PLR | CPA | MAT SEAL | RING SEAL | 1 | 2  | 3 | 4 | 5 | 6 | 7 | 8 |   |                      |                    |                                      |                        |                       |                          |
| KEY A, BLACK, W/O CPA                     | 33472-1037           | A-BLK   | GCP         | PLR |     | M        | RG        |   |  |   |   |   |   | 6 |   | 8 | PLANNED OBSOLESCENCE |                    | N/A                                  | N/A                    | N/A                   | N/A                      |
| KEY A, BLACK, W/O CPA                     | 33472-1038           | A-BLK   | GCP         | PLR |     | M        | RG        | 1 |  |   |   | 4 | 5 | 6 | 7 | 8 | PLANNED OBSOLESCENCE |                    | N/A                                  | N/A                    | N/A                   | N/A                      |
| KEY A, BLACK, W/O CPA                     | 33472-1039           | A-BLK   | GCP         | PLR |     | M        | RG        |   | 2  |   |   |   |   |   |   | 7 | PLANNED OBSOLESCENCE |                    | N/A                                  | N/A                    | N/A                   | N/A                      |
| KEY B, LIGHT GRAY, W/O CPA                | 33472-1040           | B-LG  | GCP         | PLR |     | M        | RG        |   |  |   |   |   | 5 |   |   | 7 | PLANNED OBSOLESCENCE |                    | N/A                                  | N/A                    | N/A                   | N/A                      |
| KEY A, BLACK, W/O CPA                     | 33472-1041           | A-BLK   | GCP         | PLR |     | M        | RG        |   |  |   |   | 4 | 5 | 6 | 7 | 8 | PLANNED OBSOLESCENCE |                    | N/A                                  | N/A                    | N/A                   | N/A                      |
| KEY A, BLACK, W/O CPA                     | 33472-1042           | A-BLK   | GCP         | PLR |     | M        | RG        |   |  |   |   |   | 5 |   |   | 8 | PLANNED OBSOLESCENCE |                    | N/A                                  | N/A                    | N/A                   | N/A                      |
| KEY A, BLACK, W/O CPA                     | 33472-1043           | A-BLK   | GCP         | PLR |     | M        | RG        |   | 2  |   |   | 4 | 5 | 6 |   |   | PLANNED OBSOLESCENCE |                    | N/A                                  | N/A                    | N/A                   | N/A                      |
| KEY A, BLACK, W/O CPA                     | 33472-1044           | A-BLK   | GCP         | PLR |     | M        | RG        | 1 | 2  | 3 |   | 4 |   | 6 | 7 |   | PLANNED OBSOLESCENCE |                    | N/A                                  | N/A                    | N/A                   | N/A                      |
| KEY A, BLACK, W/O CPA                     | 33472-1045           | A-BLK   | GCP         | PLR |     | M        | RG        |   |  |   |   | 4 |   | 6 |   |   | PLANNED OBSOLESCENCE |                    | N/A                                  | N/A                    | N/A                   | N/A                      |
| KEY A, BLACK, W/CPA                       | 33472-1046           | A-BLK   | GCP         | PLR | CPA | M        | RG        | 1 |  |   |   |   |   |   |   | 7 | PLANNED OBSOLESCENCE |                    | N/A                                  | N/A                    | N/A                   | N/A                      |
| KEY B, LIGHT GRAY, W/O CPA                | 33472-1047           | B-LG  | GCP         | PLR |     | M        | RG        |   |  |   |   |   | 5 |   |   |   | PLANNED OBSOLESCENCE |                    | N/A                                  | N/A                    | N/A                   | N/A                      |
| KEY A, BLACK, W/O CPA                     | 33472-1048           | A-BLK   | GCP         | PLR |     | M        | RG        | 1 | 2  |   |   |   |   | 5 | 6 |   | PLANNED OBSOLESCENCE |                    | N/A                                  | N/A                    | N/A                   | N/A                      |
| KEY A, BLACK, W/O CPA                     | 33472-1049           | A-BLK   | GCP         | PLR |     | M        | RG        | 1 | 2  |   |   |   |   |   |   | 8 | PLANNED OBSOLESCENCE |                    | N/A                                  | N/A                    | N/A                   | N/A                      |
| KEY A, BLACK, W/O CPA                     | 33472-1050           | A-BLK   | GCP         | PLR |     | M        | RG        |   |  |   |   | 4 | 5 | 6 |   |   | PLANNED OBSOLESCENCE |                    | N/A                                  | N/A                    | N/A                   | N/A                      |
| KEY A, BLACK, W/O CPA                     | 33472-1051           | A-BLK   | GCP         | PLR |     | M        | RG        | 1 | 2  | 3 |   |   |   | 6 |   |   | PLANNED OBSOLESCENCE |                    | N/A                                  | N/A                    | N/A                   | N/A                      |
| KEY A, BLACK, W/O CPA                     | 33472-1052           | A-BLK   | GCP         | PLR |     | M        | RG        |   |  |   |   | 4 | 5 |   |   | 8 | PLANNED OBSOLESCENCE |                    | N/A                                  | N/A                    | N/A                   | N/A                      |
| KEY A, BLACK, W/O CPA                     | 33472-1053           | A-BLK   | GCP         | PLR |     | M        | RG        |   |  | 3 | 4 |   |   |   | 7 | 8 | PLANNED OBSOLESCENCE |                    | N/A                                  | N/A                    | N/A                   | N/A                      |
| KEY A, BLACK, W/O CPA                     | 33472-1054           | A-BLK   | GCP         | PLR |     | M        | RG        | 1 |  | 3 | 4 |   |   |   | 7 | 8 | PLANNED OBSOLESCENCE |                    | N/A                                  | N/A                    | N/A                   | N/A                      |
| KEY A, BLACK, W/O CPA                     | 33472-1055           | A-BLK   | GCP         | PLR |     | M        | RG        |   |  |   |   | 4 |   |   |   | 8 | PLANNED OBSOLESCENCE |                    | N/A                                  | N/A                    | N/A                   | N/A                      |
| KEY A, BLACK, W/O CPA                     | 33472-1056           | A-BLK   | GCP         | PLR |     | M        | RG        |   |  |   |   | 4 | 5 |   |   | 8 | PLANNED OBSOLESCENCE |                    | N/A                                  | N/A                    | N/A                   | N/A                      |
| KEY D, STONE GRAY, W/O CPA                | 33472-1057           | D-SG  | GCP         | PLR |     | M        | RG        | 1 | 2  | 3 | 4 | 5 | 6 | 7 | 8 |   | PLANNED OBSOLESCENCE |                    | N/A                                  | N/A                    | N/A                   | N/A                      |
| KEY A, BLACK, W/CPA                       | 33472-1058           | A-BLK   | GCP         | PLR | CPA | M        | RG        |   | 2  |   |   |   |   | 5 |   | 8 | PLANNED OBSOLESCENCE |                    | N/A                                  | N/A                    | N/A                   | N/A                      |
| KEY B, LIGHT GRAY, W/O CPA                | 33472-1059           | B-LG  | GCP         | PLR |     | M        | RG        |   | 2  |   |   |   |   |   |   | 7 | PLANNED OBSOLESCENCE |                    | N/A                                  | N/A                    | N/A                   | N/A                      |
| KEY B, LIGHT GRAY, W/O CPA                | 33472-1060           | B-LG  | GCP         | PLR |     | M        | RG        |   | 2  |   |   |   |   |   |   |   | PLANNED OBSOLESCENCE |                    | N/A                                  | N/A                    | N/A                   | N/A                      |
| KEY A, BLACK, W/O CPA                     | 33472-1061           | A-BLK   | GCP         | PLR |     | M        | RG        |   | 2  | 3 | 4 |   |   | 6 | 7 | 8 | PLANNED OBSOLESCENCE |                    | N/A                                  | N/A                    | N/A                   | N/A                      |
| KEY A, BLACK, W/O CPA                     | 33472-1062           | A-BLK   | GCP         | PLR |     | M        | RG        |   | 2  | 3 |   |   |   | 6 | 7 |   | PLANNED OBSOLESCENCE |                    | N/A                                  | N/A                    | N/A                   | N/A                      |
| KEY A, BLACK, WITH CLIPSLOT, W/O CPA      | 33472-0901           | A-BLK-CLIP  | GCO         | PLR |     | M        | RG        |   |  |   |   |   |   |   |   |   | PLANNED OBSOLESCENCE |                    | 34951-0811                           | 34951-0821             | 34951-0831            | 34951-0841               |
| KEY B, LIGHT GRAY, WITH CLIPSLOT, W/O CPA | 33472-0902           | B-LG-CLIP   | GCO         | PLR |     | M        | RG        |   |  |   |   |   |   |   |   |   | PLANNED OBSOLESCENCE |                    | 34951-0811                           | 34951-0821             | 34951-0831            | 34951-0841               |
| KEY C, BROWN, WITH CLIPSLOT, W/O CPA      | 33472-0903           | C-BR-CLIP   | GCO         | PLR |     | M        | RG        |   |  |   |   |   |   |   |   |   | PLANNED OBSOLESCENCE | SEE P/N 33472-0922 | 34951-0811                           | 34951-0821             | 34951-0831            | 34951-0841               |
| KEY D, GREEN, WITH CLIPSLOT, W/O CPA      | 33472-0904           | D-GR-CLIP   | GCO         | PLR |     | M        | RG        |   |  |   |   |   |   |   |   |   | PLANNED OBSOLESCENCE | SEE P/N 33472-0923 | 34951-0811                           | 34951-0821             | 34951-0831            | 34951-0841               |
| KEY D, BLACK, WITH CLIPSLOT, W/O CPA      | 33472-0905           | D-BLK-CLIP  | GCO         | PLR |     | M        | RG        |   |  |   |   |   |   |   |   |   | PLANNED OBSOLESCENCE |                    | 34951-0811                           | 34951-0821             | 34951-0831            | 34951-0841               |
| KEY A, BLACK, WITH CLIPSLOT, W/CPA        | 33472-0906           | A-BLK-CLIP  | GCO         | PLR | CPA | M        | RG        |   |  |   |   |   |   |   |   |   | PLANNED OBSOLESCENCE |                    | 34951-0811                           | 34951-0821             | 34951-0831            | 34951-0841               |
| KEY B, LIGHT GRAY, WITH CLIPSLOT, W/CPA   | 33472-0907           | B-LG-CLIP   | GCO         | PLR | CPA | M        | RG        |   |  |   |   |   |   |   |   |   | PLANNED OBSOLESCENCE |                    | 34951-0811                           | 34951-0821             | 34951-0831            | 34951-0841               |
| KEY C, BROWN, WITH CLIPSLOT, W/CPA        | 33472-0908           | C-BR-CLIP   | GCO         | PLR | CPA | M        | RG        |   |  |   |   |   |   |   |   |   | PLANNED OBSOLESCENCE | SEE P/N 33472-0924 | 34951-0811                           | 34951-0821             | 34951-0831            | 34951-0841               |
| KEY D, GREEN, WITH CLIPSLOT, W/CPA        | 33472-0909           | D-GR-CLIP   | GCO         | PLR | CPA | M        | RG        |   |  |   |   |   |   |   |   |   | PLANNED OBSOLESCENCE | SEE P/N 33472-0925 | 34951-0811                           | 34951-0821             | 34951-0831            | 34951-0841               |
| KEY A, BLACK, WITH CLIPSLOT, W/O CPA      | 33472-0910           | A-BLK-CLIP  | GCP         | PLR |     | M        | RG        |   |  |   |   | 4 |   |   |   |   | PLANNED OBSOLESCENCE |                    | 34951-0811                           | 34951-0821             | 34951-0831            | 34951-0841               |
| KEY A, BLACK, WITH CLIPSLOT, W/O CPA      | 33472-0920           | A-BLK-CLIP  | GCP         | PLR |     | M        | RG        |   |  |   |   | 4 |   |   |   | 8 | PLANNED OBSOLESCENCE |                    | 34951-0811                           | 34951-0821             | 34951-0831            | 34951-0841               |
| KEY A, BLACK, WITH CLIPSLOT, W/O CPA      | 33472-0921           | A-BLK-CLIP  | GCP         | PLR |     | M        | RG        |   |  |   |   |   |   |   |   | 8 | PLANNED OBSOLESCENCE |                    | 34951-0811                           | 34951-0821             | 34951-0831            | 34951-0841               |
| KEY C, DARK GRAY, WITH CLIPSLOT, W/O CPA  | 33472-0922           | C-DG-CLIP   | GCO         | PLR |     | M        | RG        |   |  |   |   |   |   |   |   |   | PLANNED OBSOLESCENCE |                    | 34951-0811                           | 34951-0821             | 34951-0831            | 34951-0841               |
| KEY D, STONE GRAY, WITH CLIPSLOT, W/O CPA | 33472-0923           | D-SG-CLIP   | GCO         | PLR |     | M        | RG        |   |  |   |   |   |   |   |   |   | PLANNED OBSOLESCENCE |                    | 34951-0811                           | 34951-0821             | 34951-0831            | 34951-0841               |
| KEY C, DARK GRAY, WITH CLIPSLOT, W/CPA    | 33472-0924           | C-DG-CLIP   | GCO         | PLR | CPA | M        | RG        |   |  |   |   |   |   |   |   |   | PLANNED OBSOLESCENCE |                    | 34951-0811                           | 34951-0821             | 34951-0831            | 34951-0841               |
| KEY D, STONE GRAY, WITH CLIPSLOT, W/CPA   | 33472-0925           | D-SG-CLIP   | GCO         | PLR | CPA | M        | RG        |   |  |   |   |   |   |   |   |   | PLANNED OBSOLESCENCE |                    | 34951-0811                           | 34951-0821             | 34951-0831            | 34951-0841               |
| KEY B, LIGHT GRAY, WITH CLIPSLOT, W/O CPA | 33472-0926           | B-LG-CLIP   | GCP         | PLR |     | M        | RG        |   |  |   |   | 4 |   |   |   |   | PLANNED OBSOLESCENCE |                    | 34951-0811                           | 34951-0821             | 34951-0831            | 34951-0841               |
| KEY A, BLACK, WITH CLIPSLOT, W/CPA        | 33472-0927           | A-BLK-CLIP  | GCP         | PLR | CPA | M        | RG        |   |  |   |   | 4 |   |   |   |   | PLANNED OBSOLESCENCE |                    | 34951-0811                           | 34951-0821             | 34951-0831            | 34951-0841               |
| KEY B, LIGHT GRAY, WITH CLIPSLOT, W/CPA   | 33472-0928           | B-LG-CLIP   | GCP         | PLR | CPA | M        | RG        |   |  |   |   | 4 |   |   |   |   | PLANNED OBSOLESCENCE |                    | 34951-0811                           | 34951-0821             | 34951-0831            | 34951-0841               |
| KEY A, BLACK, WITH CLIPSLOT, W/O CPA      | 33472-0929           | A-BLK-CLIP  | GCP         | PLR |     | M        | RG        |   |  |   |   | 4 | 5 |   | 7 | 8 | PLANNED OBSOLESCENCE |                    | 34951-0811                           | 34951-0821             | 34951-0831            | 34951-0841               |
| KEY A, BLACK, WITH CLIPSLOT, W/O CPA      | 33472-0930           | A-BLK-CLIP  | GCP         | PLR |     | M        | RG        |   |  | 2 | 3 | 4 | 5 |   | 7 | 8 | PLANNED OBSOLESCENCE |                    | 34951-0811                           | 34951-0821             | 34951-0831            | 34951-0841               |
| KEY A, BLACK, WITH CLIPSLOT, W/O CPA      | 33472-0931           | A-BLK-CLIP  | GCP         | PLR |     | M        | RG        | 1 | 2  | 3 |   |   |   | 6 |   |   | PLANNED OBSOLESCENCE |                    | 34951-0811                           | 34951-0821             | 34951-0831            | 34951-0841               |
| KEY A, BLACK, WITH CLIPSLOT, W/O CPA      | 33472-0932           | A-BLK-CLIP  | GCP         | PLR |     | M        | RG        | 1 |  |   |   |   |   | 6 |   |   | PLANNED OBSOLESCENCE |                    | 34951-0811                           | 34951-0821             | 34951-0831            | 34951-0841               |
| KEY A, BLACK, WITH CLIPSLOT, W/CPA        | 33472-0933           | A-BLK-CLIP  | GCP         | PLR | CPA | M        | RG        |   |  |   |   |   |   |   |   | 8 | PLANNED OBSOLESCENCE |                    | 34951-0811                           | 34951-0821             | 34951-0831            | 34951-0841               |
| KEY B, LIGHT GRAY, WITH CLIPSLOT, W/CPA   | 33472-0934           | B-LG-CLIP   | GCP         | PLR | CPA | M        | RG        |   |  |   |   |   |   |   |   | 8 | PLANNED OBSOLESCENCE |                    | 34951-0811                           | 34951-0821             | 34951-0831            | 34951-0841               |
| KEY A, BLACK, WITH CLIPSLOT, W/CPA        | 33472-0935           | A-BLK-CLIP  | GCP         | PLR | CPA | M        | RG        |   |  | 2 | 3 | 4 |   | 6 | 7 | 8 | PLANNED OBSOLESCENCE |                    | 34951-0811                           | 34951-0821             | 34951-0831            | 34951-0841               |
| KEY A, BLACK, WITH CLIPSLOT, W/O CPA      | 33472-0936           | A-BLK-CLIP  | GCP         | PLR |     | M        | RG        |   |  |   |   |   |   | 6 | 7 | 8 | PLANNED OBSOLESCENCE |                    | 34951-0811                           | 34951-0821             | 34951-0831            | 34951-0841               |
| KEY A, BLACK, WITH CLIPSLOT, W/O CPA      | 33472-0937           | A-BLK-CLIP  | GCP         | PLR |     | M        | RG        |   |  |   |   |   | 5 |   |   | 8 | PLANNED OBSOLESCENCE |                    | 34951-0811                           | 34951-0821             | 34951-0831            | 34951-0841               |
| KEY A, BLACK, WITH CLIPSLOT, W/O CPA      | 33472-0938           | A-BLK-CLIP  | GCP         | PLR |     | M        | RG        |   |  |   |   |   | 5 |   |   |   | PLANNED OBSOLESCENCE |                    | 34951-0811                           | 34951-0821             | 34951-0831            | 34951-0841               |
| KEY A, BLACK, WITH CLIPSLOT, W/O CPA      | 33472-0939           | A-BLK-CLIP  | GCP         | PLR |     | M        | RG        |   |  |   |   | 4 | 5 | 6 | 7 | 8 | PLANNED OBSOLESCENCE |                    | 34951-0811                           | 34951-0821             | 34951-0831            | 34951-0841               |
| KEY A, BLACK, WITH CLIPSLOT, W/O CPA      | 33472-0940           | A-BLK-CLIP  | GCP         | PLR |     | M        | RG        | 1 | 2  |   |   |   |   | 5 | 6 |   | PLANNED OBSOLESCENCE |                    | 34951-0811                           | 34951-0821             | 34951-0831            | 34951-0841               |
| KEY A, BLACK, WITH CLIPSLOT, W/O CPA      | 33472-0941           | A-BLK-CLIP  | GCP         | PLR |     | M        | RG        | 1 | 2  | 3 | 4 | 5 | 6 |   |   |   | PLANNED OBSOLESCENCE |                    | 34951-0811                           | 34951-0821             | 34951-0831            | 34951-0841               |
| KEY A, BLACK, WITH CLIPSLOT, W/O CPA      | 33472-0944           | A-BLK-CLIP  | GCP         | PLR |     | M        | RG        |   |  |   |   | 4 | 5 |   |   | 7 | PLANNED OBSOLESCENCE |                    | 34951-0811                           | 34951-0821             | 34951-0831            | 34951-0841               |
| KEY A, BLACK, WITH CLIPSLOT, W/O CPA      | 33472-0945           | A-BLK-CLIP  | GCP         | PLR |     | M        | RG        |   |  |   |   |   |   |   |   | 7 | PLANNED OBSOLESCENCE |                    | 34951-0811                           | 34951-0821             | 34951-0831            | 34951-0841               |
| KEY A, BLACK, WITH CLIPSLOT, W/O CPA      | 33472-0946           | A-BLK-CLIP  | GCP         | PLR |     | M        | RG        |   |  |   | 3 |   |   |   |   | 7 | PLANNED OBSOLESCENCE |                    | 34951-0811                           | 34951-0821             | 34951-0831            | 34951-0841               |
| KEY A, BLACK, WITH CLIPSLOT, W/O CPA      | 33472-0947           | A-BLK-CLIP  | GCP         | PLR |     | M        | RG        | 1 |  |   | 3 | 4 | 5 | 6 | 7 | 8 | PLANNED OBSOLESCENCE |                    | 34951-0811                           | 34951-0821             | 34951-0831            | 34951-0841               |
| KEY A, BLACK, W/O CPA                     | 33472-4801           | A-BLK   | GCO         | PLR |     | M        | RR        |   |  |   |   |   |   |   |   |   | SALEABLE             |                    | N/A                                  | N/A                    | N/A                   | N/A                      |
| KEY B, LIGHT GRAY, W/O CPA                | 33472-4802           | B-LG  | GCO         | PLR |     | M        | RR        |   |  |   |   |   |   |   |   |   | SALEABLE             |                    | N/A                                  | N/A                    | N/A                   | N/A                      |
| KEY C, BROWN, W/O CPA                     | 33472-4803           | C-BR  | GCO         | PLR |     | M        | RR        |   |  |   |   |   |   |   |   |   | NOT RECOMMENDED      | SEE P/N 33472-4879 | N/A                                  | N/A                    | N/A                   | N/A                      |
| KEY D, GREEN, W/O CPA                     | 33472-4804           | D-GR  | GCO         | PLR |     | M        | RR        |   |  |   |   |   |   |   |   |   | NOT RECOMMENDED      | SEE P/N 33472-4880 | N/A                                  | N/A                    | N/A                   | N/A                      |
| KEY D, BLACK, W/O CPA                     | 33472-4805           | D-BLK   | GCO         | PLR |     | M        | RR        |   |  |   |   |   |   |   |   |   | SALEABLE             |                    | N/A                                  | N/A                    | N/A                   | N/A                      |
| KEY A, BLACK, W/CPA                       | 33472-4806           | A-BLK   | GCO         | PLR | CPA | M        | RR        |   |  |   |   |   |   |   |   |   | SALEABLE             |                    | N/A                                  | N/A                    | N/A                   | N/A                      |
| KEY B, LIGHT GRAY, W/CPA                  | 33472-4807           |   |             |     |     |          |           |   |  |   |   |   |   |   |   |   |                      |                    |                                      |                        |                       |                          |



MX150 RECEPTACLE 2X4 SEALED ASSEMBLY MAT SEAL  
BOM AND PIN OUT SHEET

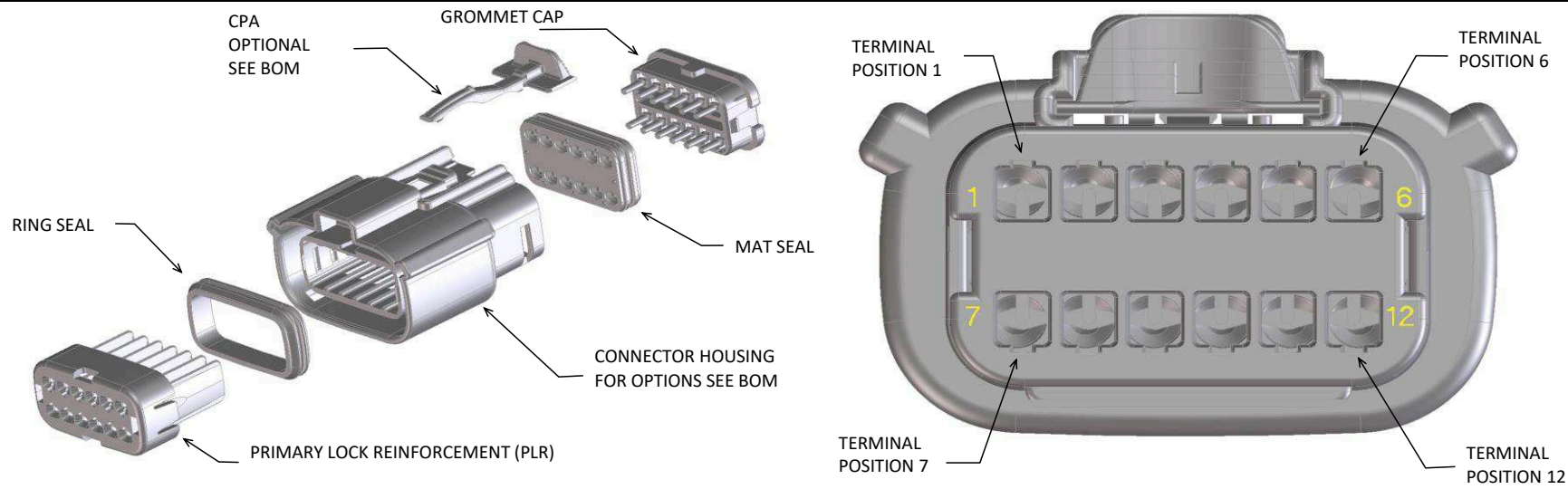
| ASSEMBLY DESCRIPTION                      | ASSEMBLY PART NUMBER | COMPONENT   |             |     |     |          |           | BLOCKED TERMINALS  |   |   |   |   |   |   |   | STATUS   | COMMENTS        | OPTIONAL ATTACHMENTS SOLD SEPERATELY |                        |                       |                          |            |
|---|----------------------|---|-------------|-----|-----|----------|-----------|--|---|---|---|---|---|---|---|----------|-----------------|--------------------------------------|------------------------|-----------------------|--------------------------|------------|
|   |                      | THE PRESENCE OF AN ABBREVIATION INDICATES THE PRESENCE OF THAT COMPONENT. |             |     |     |          |           | CAVITY WITH A NUMBER INDICATES BLOCKED TERMINAL POSITION<br>CAVITY WITHOUT A NUMBER INDICATES OPEN TERMINAL POSITION |   |   |   |   |   |   |   |          |                 | BACKSHELL WITH RIBS                  | BACKSHELL WITHOUT RIBS | 90° ADAPTOR WITH RIBS | 90° ADAPTOR WITHOUT RIBS |            |
|   |                      | HOUSING KEY/COLOR   | GROMMET CAP | PLR | CPA | MAT SEAL | RING SEAL | 1  | 2 | 3 | 4 | 5 | 6 | 7 | 8 |          |                 |                                      |                        |                       |                          |            |
| KEY A, BLACK, W/CPA                       | 33472-5005           | A-BLK   | GCP         | PLR | CPA | M        | RR        |  |   |   |   |   |   |   | 8 | SALEABLE |                 | N/A                                  | N/A                    | N/A                   | N/A                      |            |
| KEY A, BLACK, W/O CPA                     | 33472-5006           | A-BLK   | GCP         | PLR | CPA | M        | RR        | 1  | 2 | 3 | 4 | 5 | 6 |   |   | SALEABLE |                 | N/A                                  | N/A                    | N/A                   | N/A                      |            |
| KEY A, BLACK, W/CPA                       | 33472-5007           | A-BLK   | GCP         | PLR | CPA | M        | RR        |  |   |   |   |   | 6 | 7 |   | SALEABLE |                 | N/A                                  | N/A                    | N/A                   | N/A                      |            |
| KEY A, BLACK, W/CPA                       | 33472-5008           | A-BLK   | GCP         | PLR | CPA | M        | RR        |  |   |   |   |   |   | 7 |   | SALEABLE |                 | N/A                                  | N/A                    | N/A                   | N/A                      |            |
| KEY D, STONE GRAY, W/CPA                  | 33472-5009           | D-SG  | GCP         | PLR | CPA | M        | RR        |  |   |   | 4 |   |   |   |   | SALEABLE |                 | N/A                                  | N/A                    | N/A                   | N/A                      |            |
| KEY D, STONE GRAY, W/CPA                  | 33472-5010           | D-SG  | GCP         | PLR | CPA | M        | RR        |  |   |   | 4 | 5 |   |   |   | SALEABLE |                 | N/A                                  | N/A                    | N/A                   | N/A                      |            |
| KEY D, STONE GRAY, W/CPA                  | 33472-5011           | D-SG  | GCP         | PLR | CPA | M        | RR        |  |   |   | 4 | 5 | 6 |   |   | SALEABLE |                 | N/A                                  | N/A                    | N/A                   | N/A                      |            |
| KEY A, BLACK, W/O CPA                     | 33472-5012           | A-BLK   | GCP         | PLR | CPA | M        | RR        |  |   |   | 4 |   |   | 7 | 8 | SALEABLE |                 | N/A                                  | N/A                    | N/A                   | N/A                      |            |
| KEY A, BLACK, W/CPA                       | 33472-5013           | A-BLK   | GCP         | PLR | CPA | M        | RR        |  |   |   | 3 | 4 | 5 | 6 | 7 | 8        | SALEABLE        |                                      | N/A                    | N/A                   | N/A                      | N/A        |
| KEY A, BLACK, W/O CPA                     | 33472-5014           | A-BLK   | GCP         | PLR | CPA | M        | RR        |  |   |   | 3 | 4 | 5 | 6 | 7 | 8        | SALEABLE        |                                      | N/A                    | N/A                   | N/A                      | N/A        |
| KEY A, BLACK, W/CPA                       | 33472-5015           | A-BLK   | GCP         | PLR | CPA | M        | RR        |  |   |   | 4 |   |   |   | 7 | 8        | SALEABLE        |                                      | N/A                    | N/A                   | N/A                      | N/A        |
| KEY A, BLACK, W/O CPA                     | 33472-5016           | A-BLK   | GCP         | PLR | CPA | M        | RR        |  |   |   |   |   |   | 6 | 7 | 8        | SALEABLE        |                                      | N/A                    | N/A                   | N/A                      | N/A        |
| KEY A, BLACK, W/O CPA                     | 33472-5017           | A-BLK   | GCP         | PLR | CPA | M        | RR        | 1  |   |   | 3 | 4 |   |   |   | SALEABLE |                 | N/A                                  | N/A                    | N/A                   | N/A                      |            |
| KEY A, BLACK, W/CPA                       | 33472-5018           | A-BLK   | GCP         | PLR | CPA | M        | RR        |  |   |   |   |   | 5 | 6 | 7 | 8        | SALEABLE        |                                      | N/A                    | N/A                   | N/A                      | N/A        |
| KEY A, BLACK, W/CPA                       | 33472-5019           | A-BLK   | GCP         | PLR | CPA | M        | RR        |  |   |   |   |   |   |   | 7 | 8        | SALEABLE        |                                      | N/A                    | N/A                   | N/A                      | N/A        |
| KEY A, BLACK, W/CPA                       | 33472-5020           | A-BLK   | GCP         | PLR | CPA | M        | RR        |  |   |   |   |   |   |   | 7 | 8        | SALEABLE        |                                      | N/A                    | N/A                   | N/A                      | N/A        |
| KEY A, BLACK, W/CPA                       | 33472-5021           | A-BLK   | GCP         | PLR | CPA | M        | RR        | 1  | 2 | 3 | 4 | 5 | 6 | 7 | 8 | SALEABLE |                 | N/A                                  | N/A                    | N/A                   | N/A                      |            |
| KEY A, BLACK, W/CPA                       | 33472-5022           | A-BLK   | GCP         | PLR | CPA | M        | RR        | 1  |   |   |   |   | 5 |   |   | SALEABLE |                 | N/A                                  | N/A                    | N/A                   | N/A                      |            |
| KEY A, BLACK, W/O CPA                     | 33472-5023           | A-BLK   | GCP         | PLR | CPA | M        | RR        |  |   |   |   |   |   | 6 | 7 | 8        | SALEABLE        |                                      | N/A                    | N/A                   | N/A                      | N/A        |
| KEY A, BLACK, W/O CPA                     | 33472-5024           | A-BLK   | GCP         | PLR | CPA | M        | RR        |  |   |   | 3 | 4 |   |   |   | SALEABLE |                 | N/A                                  | N/A                    | N/A                   | N/A                      |            |
| KEY D, STONE GRAY, W/O CPA                | 33472-5025           | D-SG  | GCP         | PLR | CPA | M        | RR        |  |   |   |   | 4 | 5 | 6 |   | SALEABLE |                 | N/A                                  | N/A                    | N/A                   | N/A                      |            |
| KEY D, STONE GRAY, W/O CPA                | 33472-5026           | D-SG  | GCP         | PLR | CPA | M        | RR        |  |   |   |   | 4 |   |   |   | SALEABLE |                 | N/A                                  | N/A                    | N/A                   | N/A                      |            |
| KEY B, LIGHT GRAY, W/O CPA                | 33472-5027           | B-LG  | GCP         | PLR | CPA | M        | RR        |  |   |   |   |   |   |   | 7 | 8        | SALEABLE        |                                      | N/A                    | N/A                   | N/A                      | N/A        |
| KEY A, BLACK, W/O CPA                     | 33472-5028           | A-BLK   | GCP         | PLR | CPA | M        | RR        | 1  | 2 | 3 | 4 |   |   |   | 7 | 8        | SALEABLE        |                                      | N/A                    | N/A                   | N/A                      | N/A        |
| KEY A, BLACK, W/O CPA                     | 33472-5029           | A-BLK   | GCP         | PLR | CPA | M        | RR        |  |   |   | 3 | 4 |   |   |   | 8        | SALEABLE        |                                      | N/A                    | N/A                   | N/A                      | N/A        |
| KEY A, BLACK, W/O CPA                     | 33472-5030           | A-BLK   | GCP         | PLR | CPA | M        | RR        | 1  | 2 | 3 | 4 | 5 |   |   | 7 |          | SALEABLE        |                                      | N/A                    | N/A                   | N/A                      | N/A        |
| KEY A, BLACK, W/O CPA                     | 33472-5031           | A-BLK   | GCP         | PLR | CPA | M        | RR        |  |   |   |   |   | 5 |   |   |          | SALEABLE        |                                      | N/A                    | N/A                   | N/A                      | N/A        |
| KEY A, BLACK, W/O CPA                     | 33472-5032           | A-BLK   | GCP         | PLR | CPA | M        | RR        |  | 2 |   |   |   |   |   |   |          | SALEABLE        |                                      | N/A                    | N/A                   | N/A                      | N/A        |
| KEY B, LIGHT GRAY, W/O CPA                | 33472-5033           | B-LG  | GCP         | PLR | CPA | M        | RR        | 1  |   |   | 3 |   |   |   |   | 8        | SALEABLE        |                                      | N/A                    | N/A                   | N/A                      | N/A        |
| KEY B, LIGHT GRAY, W/O CPA                | 33472-5034           | B-LG  | GCP         | PLR | CPA | M        | RR        |  |   |   | 3 |   |   |   |   | 8        | SALEABLE        |                                      | N/A                    | N/A                   | N/A                      | N/A        |
| KEY B, LIGHT GRAY, W/O CPA                | 33472-5035           | B-LG  | GCP         | PLR | CPA | M        | RR        | 1  |   |   |   |   |   |   |   |          | SALEABLE        |                                      | N/A                    | N/A                   | N/A                      | N/A        |
| KEY A, BLACK, W/O CPA                     | 33472-5036           | A-BLK   | GCP         | PLR | CPA | M        | RR        | 1  |   |   |   |   |   |   |   | 8        | SALEABLE        |                                      | N/A                    | N/A                   | N/A                      | N/A        |
| KEY A, BLACK, W/O CPA                     | 33472-5037           | A-BLK   | GCP         | PLR | CPA | M        | RR        |  |   |   |   |   |   |   |   | 8        | SALEABLE        |                                      | N/A                    | N/A                   | N/A                      | N/A        |
| KEY A, BLACK, W/O CPA                     | 33472-5038           | A-BLK   | GCP         | PLR | CPA | M        | RR        | 1  |   |   | 4 | 5 | 6 | 7 | 8 |          | SALEABLE        |                                      | N/A                    | N/A                   | N/A                      | N/A        |
| KEY A, BLACK, W/O CPA                     | 33472-5039           | A-BLK   | GCP         | PLR | CPA | M        | RR        |  | 2 |   |   |   |   |   | 7 |          | SALEABLE        |                                      | N/A                    | N/A                   | N/A                      | N/A        |
| KEY B, LIGHT GRAY, W/O CPA                | 33472-5040           | B-LG  | GCP         | PLR | CPA | M        | RR        |  |   |   |   | 5 |   |   |   |          | SALEABLE        |                                      | N/A                    | N/A                   | N/A                      | N/A        |
| KEY A, BLACK, W/O CPA                     | 33472-5041           | A-BLK   | GCP         | PLR | CPA | M        | RR        |  |   |   | 4 | 5 | 6 | 7 | 8 |          | SALEABLE        |                                      | N/A                    | N/A                   | N/A                      | N/A        |
| KEY A, BLACK, W/O CPA                     | 33472-5042           | A-BLK   | GCP         | PLR | CPA | M        | RR        |  |   |   |   | 5 |   |   |   | 8        | SALEABLE        |                                      | N/A                    | N/A                   | N/A                      | N/A        |
| KEY A, BLACK, W/O CPA                     | 33472-5043           | A-BLK   | GCP         | PLR | CPA | M        | RR        |  | 2 |   | 4 | 5 | 6 |   |   |          | SALEABLE        |                                      | N/A                    | N/A                   | N/A                      | N/A        |
| KEY A, BLACK, W/O CPA                     | 33472-5044           | A-BLK   | GCP         | PLR | CPA | M        | RR        | 1  | 2 | 3 | 4 |   | 6 | 7 |   |          | SALEABLE        |                                      | N/A                    | N/A                   | N/A                      | N/A        |
| KEY A, BLACK, W/O CPA                     | 33472-5045           | A-BLK   | GCP         | PLR | CPA | M        | RR        |  |   |   | 4 |   | 6 |   |   |          | SALEABLE        |                                      | N/A                    | N/A                   | N/A                      | N/A        |
| KEY A, BLACK, W/CPA                       | 33472-5046           | A-BLK   | GCP         | PLR | CPA | M        | RR        | 1  |   |   |   |   |   |   | 7 |          | SALEABLE        |                                      | N/A                    | N/A                   | N/A                      | N/A        |
| KEY B, LIGHT GRAY, W/O CPA                | 33472-5047           | B-LG  | GCP         | PLR | CPA | M        | RR        |  |   |   |   |   | 5 |   |   |          | SALEABLE        |                                      | N/A                    | N/A                   | N/A                      | N/A        |
| KEY A, BLACK, W/O CPA                     | 33472-5048           | A-BLK   | GCP         | PLR | CPA | M        | RR        | 1  | 2 |   |   |   | 5 | 6 |   | 8        | SALEABLE        |                                      | N/A                    | N/A                   | N/A                      | N/A        |
| KEY A, BLACK, W/O CPA                     | 33472-5049           | A-BLK   | GCP         | PLR | CPA | M        | RR        | 1  | 2 |   |   |   |   |   |   | 8        | SALEABLE        |                                      | N/A                    | N/A                   | N/A                      | N/A        |
| KEY A, BLACK, W/O CPA                     | 33472-5050           | A-BLK   | GCP         | PLR | CPA | M        | RR        |  |   |   | 4 | 5 | 6 |   |   |          | SALEABLE        |                                      | N/A                    | N/A                   | N/A                      | N/A        |
| KEY A, BLACK, W/O CPA                     | 33472-5051           | A-BLK   | GCP         | PLR | CPA | M        | RR        | 1  | 2 | 3 |   |   | 6 |   |   |          | SALEABLE        |                                      | N/A                    | N/A                   | N/A                      | N/A        |
| KEY A, BLACK, W/O CPA                     | 33472-5052           | A-BLK   | GCP         | PLR | CPA | M        | RR        |  |   |   | 4 | 5 |   | 7 | 8 |          | SALEABLE        |                                      | N/A                    | N/A                   | N/A                      | N/A        |
| KEY A, BLACK, W/O CPA                     | 33472-5053           | A-BLK   | GCP         | PLR | CPA | M        | RR        |  |   |   | 3 | 4 |   |   | 7 | 8        | SALEABLE        |                                      | N/A                    | N/A                   | N/A                      | N/A        |
| KEY A, BLACK, W/O CPA                     | 33472-5054           | A-BLK   | GCP         | PLR | CPA | M        | RR        | 1  |   |   | 3 | 4 |   |   | 7 | 8        | SALEABLE        |                                      | N/A                    | N/A                   | N/A                      | N/A        |
| KEY A, BLACK, W/O CPA                     | 33472-5055           | A-BLK   | GCP         | PLR | CPA | M        | RR        |  |   |   | 4 |   |   |   |   | 8        | SALEABLE        |                                      | N/A                    | N/A                   | N/A                      | N/A        |
| KEY A, BLACK, W/O CPA                     | 33472-5056           | A-BLK   | GCP         | PLR | CPA | M        | RR        |  |   |   | 4 | 5 |   |   |   | 8        | SALEABLE        |                                      | N/A                    | N/A                   | N/A                      | N/A        |
| KEY D, STONE GRAY, W/O CPA                | 33472-5057           | D-SG  | GCP         | PLR | CPA | M        | RR        | 1  | 2 | 3 | 4 | 5 | 6 | 7 | 8 |          | SALEABLE        |                                      | N/A                    | N/A                   | N/A                      | N/A        |
| KEY A, BLACK, W/CPA                       | 33472-5058           | A-BLK   | GCP         | PLR | CPA | M        | RR        |  |   | 2 |   |   | 5 |   |   | 8        | SALEABLE        |                                      | N/A                    | N/A                   | N/A                      | N/A        |
| KEY B, LIGHT GRAY, W/O CPA                | 33472-5059           | B-LG  | GCP         | PLR | CPA | M        | RR        |  |   | 2 |   |   |   |   | 7 |          | SALEABLE        |                                      | N/A                    | N/A                   | N/A                      | N/A        |
| KEY B, LIGHT GRAY, W/O CPA                | 33472-5060           | B-LG  | GCP         | PLR | CPA | M        | RR        |  |   | 2 |   |   |   |   |   |          | SALEABLE        |                                      | N/A                    | N/A                   | N/A                      | N/A        |
| KEY A, BLACK, W/O CPA                     | 33472-5061           | A-BLK   | GCP         | PLR | CPA | M        | RR        |  |   | 2 | 3 | 4 |   | 6 | 7 | 8        | SALEABLE        |                                      | N/A                    | N/A                   | N/A                      | N/A        |
| KEY A, BLACK, W/O CPA                     | 33472-5062           | A-BLK   | GCP         | PLR | CPA | M        | RR        |  |   | 2 | 3 |   |   | 6 | 7 |          | SALEABLE        |                                      | N/A                    | N/A                   | N/A                      | N/A        |
| KEY A, BLACK, WITH CLIPSLOT, W/O CPA      | 33472-4901           | A-BLK-CLIP  | GCO         | PLR | CPA | M        | RR        |  |   |   |   |   |   |   |   |          | SALEABLE        | 34951-0811                           | 34951-0821             | 34951-0831            | 34951-0841               |            |
| KEY B, LIGHT GRAY, WITH CLIPSLOT, W/O CPA | 33472-4902           | B-LG-CLIP   | GCO         | PLR | CPA | M        | RR        |  |   |   |   |   |   |   |   |          | SALEABLE        | 34951-0811                           | 34951-0821             | 34951-0831            | 34951-0841               |            |
| KEY C, BROWN, WITH CLIPSLOT, W/O CPA      | 33472-4903           | C-BR-CLIP   | GCO         | PLR | CPA | M        | RR        |  |   |   |   |   |   |   |   |          | NOT RECOMMENDED | SEE P/N 33472-4922                   | 34951-0811             | 34951-0821            | 34951-0831               | 34951-0841 |
| KEY D, GREEN, WITH CLIPSLOT, W/O CPA      | 33472-4904           | D-GR-CLIP   | GCO         | PLR | CPA | M        | RR        |  |   |   |   |   |   |   |   |          | NOT RECOMMENDED | SEE P/N 33472-4923                   | 34951-0811             | 34951-0821            | 34951-0831               | 34951-0841 |
| KEY D, BLACK, WITH CLIPSLOT, W/O CPA      | 33472-4905           | D-BLK-CLIP  | GCO         | PLR | CPA | M        | RR        |  |   |   |   |   |   |   |   |          | SALEABLE        | 34951-0811                           | 34951-0821             | 34951-0831            | 34951-0841               |            |
| KEY A, BLACK, WITH CLIPSLOT, W/CPA        | 33472-4906           | A-BLK-CLIP  | GCO         | PLR | CPA | M        | RR        |  |   |   |   |   |   |   |   |          | SALEABLE        | 34951-0811                           | 34951-0821             | 34951-0831            | 34951-0841               |            |
| KEY B, LIGHT GRAY, WITH CLIPSLOT, W/CPA   | 33472-4907           | B-LG-CLIP   | GCO         | PLR | CPA | M        | RR        |  |   |   |   |   |   |   |   |          | SALEABLE        | 34951-0811                           | 34951-0821             | 34951-0831            | 34951-0841               |            |
| KEY C, BROWN, WITH CLIPSLOT, W/CPA        | 33472-4908           | C-BR-CLIP   | GCO         | PLR | CPA | M        | RR        |  |   |   |   |   |   |   |   |          | NOT RECOMMENDED | SEE P/N 33472-4924                   | 34951-0811             | 34951-0821            | 34951-0831               | 34951-0841 |
| KEY D, GREEN, WITH CLIPSLOT, W/CPA        | 33472-4909           | D-GR-CLIP   | GCO         | PLR | CPA | M        | RR        |  |   |   |   |   |   |   |   |          | NOT RECOMMENDED | SEE P/N 33472-4925                   | 34951-0811             | 34951-0821            | 34951-0831               | 34951-0841 |
| KEY A, BLACK, WITH CLIPSLOT, W/O CPA      | 33472-4910           | A-BLK-CLIP  | GCP         | PLR | CPA | M        | RR        |  |   |   | 4 |   |   |   |   |          | SALEABLE        | 34951-0811                           | 34951-0821             | 34951-0831            | 34951-0841               |            |
| KEY A, BLACK, WITH CLIPSLOT, W/O CPA      | 33472-4920           | A-BLK-CLIP  | GCP         | PLR | CPA | M        | RR        |  |   |   | 4 |   |   |   |   | 8        | SALEABLE        | 34951-0811                           | 34951-0821             | 34951-0831            | 34951-0841               |            |
| KEY A, BLACK, WITH CLIPSLOT, W/O CPA      | 33472-4921           | A-BLK-CLIP  | GCP         | PLR | CPA | M        | RR        |  |   |   |   |   |   |   |   | 8        | SALEABLE        | 34951-0811                           | 34951-0821             | 34951-0831            | 34951-0841               |            |
| KEY C, DARK GRAY, WITH CLIPSLOT, W/O CPA  | 33472-4922           | C-DG-CLIP   | GCO         | PLR | CPA | M        | RR        |  |   |   |   |   |   |   |   |          | SALEABLE        | 34951-0811                           | 34951-0821             | 34951-0831            | 34951-0841               |            |
| KEY D, STONE GRAY, WITH CLIPSLOT, W/O CPA | 33472-4923           | D-SG-CLIP   | GCO         | PLR | CPA | M        | RR        |  |   |   |   |   |   |   |   |          | SALEABLE        | 34951-0811                           | 34951-0821             | 34951-0831            | 34951-0841               |            |
| KEY C, DARK GRAY, WITH CLIPSLOT, W/CPA    | 33472-4924           | C-DG-CLIP   | GCO         | PLR | CPA | M        | RR        |  |   |   |   |   |   |   |   |          | SALEABLE        | 34951-0811                           | 34951-0821             | 34951-0831            | 34951-0841               |            |
| KEY D, STONE GRAY, WITH CLIPSLOT, W/CPA   | 33472-4925           | D-SG-CLIP   | GCO         | PLR | CPA | M        | RR        |  |   |   |   |   |   |   |   |          | SALEABLE        | 34951-0811                           | 34951-0821             | 34951-0831            | 34951-0841               |            |
| KEY B, LIGHT GRAY, WITH CLIPSLOT, W/O CPA | 33472-4926           | B-LG-CLIP   | GCP         | PLR | CPA | M        | RR        |  |   |   | 4 |   |   |   |   | 8        | SALEABLE        | 34951-0811                           | 34951-0821             | 34951-0831            | 34951-0841               |            |



**MX150 RECEPTACLE 2X4 SEALED ASSEMBLY MAT SEAL  
BOM AND PIN OUT SHEET**

| ASSEMBLY DESCRIPTION                    | ASSEMBLY PART NUMBER | COMPONENT   |             |     |     |          |           |   | BLOCKED TERMINALS  |   |   |   |   |   |          |   | STATUS     | COMMENTS   | OPTIONAL ATTACHMENTS SOLD SEPERATELY |                        |                       |                          |            |
|---|----------------------|---|-------------|-----|-----|----------|-----------|---|--|---|---|---|---|---|----------|---|------------|------------|--------------------------------------|------------------------|-----------------------|--------------------------|------------|
|   |                      | THE PRESENCE OF AN ABBREVIATION INDICATES THE PRESENCE OF THAT COMPONENT. |             |     |     |          |           |   | CAVITY WITH A NUMBER INDICATES BLOCKED TERMINAL POSITION<br>CAVITY WITHOUT A NUMBER INDICATES OPEN TERMINAL POSITION |   |   |   |   |   |          |   |            |            | BACKSHELL WITH RIBS                  | BACKSHELL WITHOUT RIBS | 90° ADAPTOR WITH RIBS | 90° ADAPTOR WITHOUT RIBS |            |
|   |                      | HOUSING KEY/COLOR   | GROMMET CAP | PLR | CPA | MAT SEAL | RING SEAL | 1 | 2  | 3 | 4 | 5 | 6 | 7 | 8        |   |            |            |                                      |                        |                       |                          |            |
| KEY A, BLACK, WITH CLIPSLOT, W/CPA      | 33472-4933           | A-BLK-CLIP  | GCP         | PLR | CPA | M        | RR        |   |  |   |   |   |   | 8 | SALEABLE |   | 34951-0811 | 34951-0821 | 34951-0831                           | 34951-0841             |                       |                          |            |
| KEY B, LIGHT GRAY, WITH CLIPSLOT, W/CPA | 33472-4934           | B-LG-CLIP   | GCP         | PLR | CPA | M        | RR        |   |  |   |   |   |   | 8 | SALEABLE |   | 34951-0811 | 34951-0821 | 34951-0831                           | 34951-0841             |                       |                          |            |
| KEY A, BLACK, WITH CLIPSLOT, W/CPA      | 33472-4935           | A-BLK-CLIP  | GCP         | PLR | CPA | M        | RR        |   | 2  | 3 | 4 |   |   | 6 | 7        | 8 | SALEABLE   |            | 34951-0811                           | 34951-0821             | 34951-0831            | 34951-0841               |            |
| KEY A, BLACK, WITH CLIPSLOT, W/O CPA    | 33472-4936           | A-BLK-CLIP  | GCP         | PLR |     | M        | RR        |   |  |   |   |   |   | 6 | 7        | 8 | SALEABLE   |            | 34951-0811                           | 34951-0821             | 34951-0831            | 34951-0841               |            |
| KEY A, BLACK, WITH CLIPSLOT, W/O CPA    | 33472-4937           | A-BLK-CLIP  | GCP         | PLR |     | M        | RR        |   |  |   |   |   |   | 5 |          |   | 8          | SALEABLE   |                                      | 34951-0811             | 34951-0821            | 34951-0831               | 34951-0841 |
| KEY A, BLACK, WITH CLIPSLOT, W/O CPA    | 33472-4938           | A-BLK-CLIP  | GCP         | PLR |     | M        | RR        |   |  |   |   |   |   | 5 |          |   |            | SALEABLE   |                                      | 34951-0811             | 34951-0821            | 34951-0831               | 34951-0841 |
| KEY A, BLACK, WITH CLIPSLOT, W/O CPA    | 33472-4939           | A-BLK-CLIP  | GCP         | PLR |     | M        | RR        |   |  |   | 4 | 5 | 6 | 7 | 8        |   |            | SALEABLE   |                                      | 34951-0811             | 34951-0821            | 34951-0831               | 34951-0841 |
| KEY A, BLACK, WITH CLIPSLOT, W/O CPA    | 33472-4940           | A-BLK-CLIP  | GCP         | PLR |     | M        | RR        | 1 | 2  |   |   |   |   | 5 | 6        |   |            | SALEABLE   |                                      | 34951-0811             | 34951-0821            | 34951-0831               | 34951-0841 |
| KEY A, BLACK, WITH CLIPSLOT, W/O CPA    | 33472-4941           | A-BLK-CLIP  | GCP         | PLR |     | M        | RR        | 1 | 2  | 3 | 4 | 5 | 6 |   |          |   |            | SALEABLE   |                                      | 34951-0811             | 34951-0821            | 34951-0831               | 34951-0841 |
| KEY A, BLACK, WITH CLIPSLOT, W/O CPA    | 33472-4942           | A-BLK-CLIP  | GCP         | PLR |     | M        | RR        |   |  |   | 4 | 5 | 6 |   |          |   |            | SALEABLE   |                                      | 34951-0811             | 34951-0821            | 34951-0831               | 34951-0841 |
| KEY A, BLACK, WITH CLIPSLOT, W/O CPA    | 33472-4943           | A-BLK-CLIP  | GCP         | PLR |     | M        | RR        |   | 2  | 3 |   |   |   | 6 | 7        |   |            | SALEABLE   |                                      | 34951-0811             | 34951-0821            | 34951-0831               | 34951-0841 |
| KEY A, BLACK, WITH CLIPSLOT, W/O CPA    | 33472-4944           | A-BLK-CLIP  | GCP         | PLR |     | M        | RR        |   |  |   | 4 | 5 |   |   | 7        |   |            | SALEABLE   |                                      | 34951-0811             | 34951-0821            | 34951-0831               | 34951-0841 |
| KEY A, BLACK, WITH CLIPSLOT, W/O CPA    | 33472-4945           | A-BLK-CLIP  | GCP         | PLR |     | M        | RR        |   |  |   |   |   |   |   | 7        |   |            | SALEABLE   |                                      | 34951-0811             | 34951-0821            | 34951-0831               | 34951-0841 |
| KEY A, BLACK, WITH CLIPSLOT, W/O CPA    | 33472-4946           | A-BLK-CLIP  | GCP         | PLR |     | M        | RR        |   |  | 3 |   |   |   |   | 7        |   |            | SALEABLE   |                                      | 34951-0811             | 34951-0821            | 34951-0831               | 34951-0841 |
| KEY A, BLACK, WITH CLIPSLOT, W/O CPA    | 33472-4947           | A-BLK-CLIP  | GCP         | PLR |     | M        | RR        | 1 |  | 3 | 4 | 5 | 6 | 7 | 8        |   |            | SALEABLE   |                                      | 34951-0811             | 34951-0821            | 34951-0831               | 34951-0841 |
| KEY A, BLACK, WITH CLIPSLOT, W/CPA      | 33472-5063           | A-BLK-CLIP  | GCP         | PLR | CPA | M        | RR        |   |  |   |   | 5 | 6 | 7 | 8        |   |            | SALEABLE   |                                      | 34951-0811             | 34951-0821            | 34951-0831               | 34951-0841 |
| KEY A, BLACK, WITH CLIPSLOT, W/O CPA    | 33472-5064           | A-BLK-CLIP  | GCP         | PLR |     | M        | RR        |   |  |   |   | 5 | 6 | 7 | 8        |   |            | SALEABLE   |                                      | 34951-0811             | 34951-0821            | 34951-0831               | 34951-0841 |
| KEY B, LIGHT GRAY, W/O CPA              | 33472-5065           | B-LG  | GCP         | PLR |     | M        | RR        | 1 |  |   | 4 |   |   |   | 7        | 8 |            | SALEABLE   |                                      | N/A                    | N/A                   | N/A                      | N/A        |
| KEY A, BLACK, W/O CPA                   | 33472-5066           | A-BLK   | GCP         | PLR |     | M        | RR        |   |  | 3 |   |   |   |   |          |   |            | SALEABLE   |                                      | N/A                    | N/A                   | N/A                      | N/A        |
| KEY A, BLACK, WITH CLIPSLOT, W/O CPA    | 33472-5067           | A-BLK-CLIP  | GCP         | PLR |     | M        | RR        | 1 |  |   |   |   |   |   | 7        | 8 |            | SALEABLE   |                                      | 34951-0811             | 34951-0821            | 34951-0831               | 34951-0841 |

MX150 RECEPTACLE 2X6 SEALED ASSEMBLY MAT SEAL  
BOM AND PIN OUT SHEET



FOR ADDITIONAL INFORMATION SEE SD-33472-0001

| ABBREVIATION | DESCRIPTION                            | COLOR      | MATERIAL                       |
|--------------|--|------------|--------------------------------|
| A-BLK        | HOUSING, KEYING OPTION A               | BLACK      | SPS/NYLON GF20                 |
| B-LG         | HOUSING, KEYING OPTION B               | LIGHT GRAY | SPS/NYLON GF20                 |
| C-BR         | HOUSING, KEYING OPTION C               | BROWN      | SPS/NYLON GF20                 |
| D-GR         | HOUSING, KEYING OPTION D               | GREEN      | SPS/NYLON GF20                 |
| C-DG         | HOUSING, KEYING OPTION C               | DARK GRAY  | SPS/NYLON GF20                 |
| D-SG         | HOUSING, KEYING OPTION D               | STONE GRAY | SPS/NYLON GF20                 |
| A-YW         | HOUSING, KEYING OPTION A               | YELLOW     | SPS/NYLON GF20                 |
| A-BLK-CLIP   | HOUSING, KEYING OPTION A WITH CLIPSLOT | BLACK      | SPS/NYLON GF20                 |
| B-LG-CLIP    | HOUSING, KEYING OPTION B WITH CLIPSLOT | LIGHT GRAY | SPS/NYLON GF20                 |
| C-BR-CLIP    | HOUSING, KEYING OPTION C WITH CLIPSLOT | BROWN      | SPS/NYLON GF20                 |
| D-GR-CLIP    | HOUSING, KEYING OPTION D WITH CLIPSLOT | GREEN      | SPS/NYLON GF20                 |
| C-DG-CLIP    | HOUSING, KEYING OPTION C WITH CLIPSLOT | DARK GRAY  | SPS/NYLON GF20                 |
| D-SG-CLIP    | HOUSING, KEYING OPTION D WITH CLIPSLOT | STONE GRAY | SPS/NYLON GF20                 |
| GC           | GROMMET CAP                            | BLACK      | SPS/NYLON GF20                 |
| PLR          | PLR                                    | NATURAL    | SPS/NYLON GF20                 |
| CPA          | CPA                                    | RED        | PBT GF30                       |
| M            | MAT SEAL                               | LIGHT BLUE | INHERENTLY LUBRICATED SILICONE |
| R            | RING SEAL                              | GREEN      | INHERENTLY LUBRICATED SILICONE |

| ASSEMBLY DESCRIPTION       | ASSEMBLY PART NUMBER | COMPONENT   |             |     |     |          |           |   | BLOCKED TERMINALS  |   |   |   |   |   |   |   |    |    |    |  | STATUS | COMMENTS | OPTIONAL ATTACHMENTS SOLD SEPERATELY |                        |                    |            |            |            |
|----------------------------|----------------------|---|-------------|-----|-----|----------|-----------|---|--|---|---|---|---|---|---|---|----|----|----|--|--------|----------|--------------------------------------|------------------------|--------------------|------------|------------|------------|
|                            |                      | THE PRESENCE OF AN ABBREVIATION INDICATES THE PRESENCE OF THAT COMPONENT. |             |     |     |          |           |   | CAVITY WITH A NUMBER INDICATES BLOCKED TERMINAL POSITION<br>CAVITY WITHOUT A NUMBER INDICATES OPEN TERMINAL POSITION |   |   |   |   |   |   |   |    |    |    |  |        |          | BACKSHELL WITH RIBS                  | BACKSHELL WITHOUT RIBS |                    |            |            |            |
|                            |                      | HOUSING KEY/COLOR   | GROMMET CAP | PLR | CPA | MAT SEAL | RING SEAL | 1 | 2  | 3 | 4 | 5 | 6 | 7 | 8 | 9 | 10 | 11 | 12 |  |        |          |                                      |                        |                    |            |            |            |
| KEY A, BLACK, W/O CPA      | 33472-1201           | A-BLK   | GC          | PLR |     | M        | R         |   |  |   |   |   |   |   |   |   |    |    |    |  |        |          |                                      | SALEABLE               |                    | 34951-1210 | 34951-1220 |            |
| KEY B, LIGHT GRAY, W/O CPA | 33472-1202           | B-LG  | GC          | PLR |     | M        | R         |   |  |   |   |   |   |   |   |   |    |    |    |  |        |          |                                      |                        | SALEABLE           |            | 34951-1210 | 34951-1220 |
| KEY C, BROWN, W/O CPA      | 33472-1203           | C-BR  | GC          | PLR |     | M        | R         |   |  |   |   |   |   |   |   |   |    |    |    |  |        |          |                                      | NOT RECOMMENDED        | SEE P/N 33472-1253 | 34951-1210 | 34951-1220 |            |
| KEY D, GREEN, W/O CPA      | 33472-1204           | D-GR  | GC          | PLR |     | M        | R         |   |  |   |   |   |   |   |   |   |    |    |    |  |        |          |                                      | NOT RECOMMENDED        | SEE P/N 33472-1254 | 34951-1210 | 34951-1220 |            |
| VOID KEY                   | 33472-1205           |   |             |     |     |          |           |   |  |   |   |   |   |   |   |   |    |    |    |  |        |          |                                      |                        |                    |            |            |            |
| KEY A, BLACK, W/CPA        | 33472-1206           | A-BLK   | GC          | PLR | CPA | M        | R         |   |  |   |   |   |   |   |   |   |    |    |    |  |        |          |                                      |                        | SALEABLE           |            | 34951-1210 | 34951-1220 |
| KEY B, LIGHT GRAY, W/CPA   | 33472-1207           | B-LG  | GC          | PLR | CPA | M        | R         |   |  |   |   |   |   |   |   |   |    |    |    |  |        |          |                                      |                        | SALEABLE           |            | 34951-1210 | 34951-1220 |
| KEY C, BROWN, W/CPA        | 33472-1208           | C-BR  | GC          | PLR | CPA | M        | R         |   |  |   |   |   |   |   |   |   |    |    |    |  |        |          |                                      | NOT RECOMMENDED        | SEE P/N 33472-1259 | 34951-1210 | 34951-1220 |            |
| KEY D, GREEN, W/CPA        | 33472-1209           | D-GR  | GC          | PLR | CPA | M        | R         |   |  |   |   |   |   |   |   |   |    |    |    |  |        |          |                                      | NOT RECOMMENDED        | SEE P/N 33472-1260 | 34951-1210 | 34951-1220 |            |
| VOID KEY                   | 33472-1210           |   |             |     |     |          |           |   |  |   |   |   |   |   |   |   |    |    |    |  |        |          |                                      |                        |                    |            |            |            |
| KEY A, BLACK, W/O CPA      | 33472-1211           | A-BLK   | GC          | PLR |     | M        | R         |   |  |   |   |   |   |   |   |   |    |    |    |  |        |          |                                      |                        | SALEABLE           |            | 34951-1210 | 34951-1220 |
| KEY B, LIGHT GRAY, W/O CPA | 33472-1212           | B-LG  | GC          | PLR |     | M        | R         |   |  |   |   |   |   |   |   |   |    |    |    |  |        |          |                                      |                        | SALEABLE           |            | 34951-1210 | 34951-1220 |
| KEY C, BROWN, W/O CPA      | 33472-1213           | C-BR  | GC          | PLR |     | M        | R         |   |  |   |   |   |   |   |   |   |    |    |    |  |        |          |                                      | NOT RECOMMENDED        |                    | 34951-1210 | 34951-1220 |            |
| KEY D, GREEN, W/O CPA      | 33472-1214           | D-GR  | GC          | PLR |     | M        | R         |   |  |   |   |   |   |   |   |   |    |    |    |  |        |          |                                      | NOT RECOMMENDED        |                    | 34951-1210 | 34951-1220 |            |
| VOID KEY                   | 33472-1215           |   |             |     |     |          |           |   |  |   |   |   |   |   |   |   |    |    |    |  |        |          |                                      |                        |                    |            |            |            |
| KEY A, BLACK, W/CPA        | 33472-1216           | A-BLK   | GC          | PLR | CPA | M        | R         |   |  |   |   |   |   |   |   |   |    |    |    |  |        |          |                                      |                        | SALEABLE           |            | 34951-1210 | 34951-1220 |
| KEY B, LIGHT GRAY, W/CPA   | 33472-1217           | B-LG  | GC          | PLR | CPA | M        | R         |   |  |   |   |   |   |   |   |   |    |    |    |  |        |          |                                      |                        | SALEABLE           |            | 34951-1210 | 34951-1220 |
| KEY C, BROWN, W/CPA        | 33472-1218           | C-BR  | GC          | PLR | CPA | M        | R         |   |  |   |   |   |   |   |   |   |    |    |    |  |        |          |                                      | NOT RECOMMENDED        |                    | 34951-1210 | 34951-1220 |            |
| KEY D, GREEN, W/CPA        | 33472-1219           | D-GR  | GC          | PLR | CPA | M        | R         |   |  |   |   |   |   |   |   |   |    |    |    |  |        |          |                                      | NOT RECOMMENDED        |                    | 34951-1210 | 34951-1220 |            |
| VOID KEY                   | 33472-1220           |   |             |     |     |          |           |   |  |   |   |   |   |   |   |   |    |    |    |  |        |          |                                      |                        |                    |            |            |            |
| KEY A, BLACK, W/O CPA      | 33472-1221           | A-BLK   | GC          | PLR |     | M        | R         |   |  |   |   |   |   |   |   |   |    |    |    |  |        |          |                                      |                        | SALEABLE           |            | 34951-1210 | 34951-1220 |
| KEY B, LIGHT GRAY, W/O CPA | 33472-1222           | B-LG  | GC          | PLR |     | M        | R         |   |  |   |   |   |   |   |   |   |    |    |    |  |        |          |                                      |                        | SALEABLE           |            | 34951-1210 | 34951-1220 |
| KEY C, BROWN, W/O CPA      | 33472-1223           | C-BR  | GC          | PLR |     | M        | R         |   |  |   |   |   |   |   |   |   |    |    |    |  |        |          |                                      | NOT RECOMMENDED        |                    | 34951-1210 | 34951-1220 |            |
| KEY D, GREEN, W/O CPA      | 33472-1224           | D-GR  | GC          | PLR |     | M        | R         |   |  |   |   |   |   |   |   |   |    |    |    |  |        |          |                                      | NOT RECOMMENDED        |                    | 34951-1210 | 34951-1220 |            |
| VOID KEY                   | 33472-1225           |   |             |     |     |          |           |   |  |   |   |   |   |   |   |   |    |    |    |  |        |          |                                      |                        |                    |            |            |            |
| KEY A, BLACK, W/CPA        | 33472-1226           | A-BLK   | GC          | PLR | CPA | M        | R         |   |  |   |   |   |   |   |   |   |    |    |    |  |        |          |                                      |                        | SALEABLE           |            | 34951-1210 | 34951-1220 |
| KEY B, LIGHT GRAY, W/CPA   | 33472-1227           | B-LG  | GC          | PLR | CPA | M        | R         |   |  |   |   |   |   |   |   |   |    |    |    |  |        |          |                                      |                        | SALEABLE           |            | 34951-1210 | 34951-1220 |
| KEY C, BROWN, W/CPA        | 33472-1228           | C-BR  | GC          | PLR | CPA | M        | R         |   |  |   |   |   |   |   |   |   |    |    |    |  |        |          |                                      | NOT RECOMMENDED        |                    | 34951-1210 | 34951-1220 |            |
| KEY D, GREEN, W/CPA        | 33472-1229           | D-GR  | GC          | PLR | CPA | M        | R         |   |  |   |   |   |   |   |   |   |    |    |    |  |        |          |                                      | NOT RECOMMENDED        |                    | 34951-1210 | 34951-1220 |            |
| VOID KEY                   | 33472-1230           |   |             |     |     |          |           |   |  |   |   |   |   |   |   |   |    |    |    |  |        |          |                                      |                        |                    |            |            |            |
| KEY A, BLACK, W/O CPA      | 33472-1231           | A-BLK   | GC          | PLR |     | M        | R         | 1 |  |   |   |   |   |   |   |   |    |    |    |  |        |          |                                      |                        | SALEABLE           |            | 34951-1210 | 34951-1220 |
| KEY B, LIGHT GRAY, W/O CPA | 33472-1232           | B-LG  | GC          | PLR |     | M        | R         | 1 |  |   |   |   |   |   |   |   |    |    |    |  |        |          |                                      |                        | SALEABLE           |            | 34951-1210 | 34951-1220 |
| KEY C, BROWN, W/O CPA      | 33472-1233           | C-BR  | GC          | PLR |     | M        | R         | 1 |  |   |   |   |   |   |   |   |    |    |    |  |        |          |                                      | NOT RECOMMENDED        |                    | 34951-1210 | 34951-1220 |            |
| KEY D, GREEN, W/O CPA      | 33472-1234           | D-GR  | GC          | PLR |     | M        | R         | 1 |  |   |   |   |   |   |   |   |    |    |    |  |        |          |                                      | NOT RECOMMENDED        |                    | 34951-1210 | 34951-1220 |            |
| VOID KEY                   | 33472-1235           |   |             |     |     |          |           |   |  |   |   |   |   |   |   |   |    |    |    |  |        |          |                                      |                        |                    |            |            |            |
| KEY A, BLACK, W/CPA        | 33472-1236           | A-BLK   | GC          | PLR | CPA | M        | R         | 1 |  |   |   |   |   |   |   |   |    |    |    |  |        |          |                                      |                        | SALEABLE           |            | 34951-1210 | 34951-1220 |
| KEY B, LIGHT GRAY, W/CPA   | 33472-1237           | B-LG  | GC          | PLR | CPA | M        | R         | 1 |  |   |   |   |   |   |   |   |    |    |    |  |        |          |                                      |                        | SALEABLE           |            | 34951-1210 | 34951-1220 |
| KEY C, BROWN, W/CPA        | 33472-1238           | C-BR  | GC          | PLR | CPA | M        | R         | 1 |  |   |   |   |   |   |   |   |    |    |    |  |        |          |                                      | NOT RECOMMENDED        |                    | 34951-1210 | 34951-1220 |            |
| KEY D, GREEN, W/CPA        | 33472-1239           | D-GR  | GC          | PLR | CPA | M        | R         | 1 |  |   |   |   |   |   |   |   |    |    |    |  |        |          |                                      | NOT RECOMMENDED        |                    | 34951-1210 | 34951-1220 |            |
| VOID KEY                   | 33472-1240           |   |             |     |     |          |           |   |  |   |   |   |   |   |   |   |    |    |    |  |        |          |                                      |                        |                    |            |            |            |
| KEY A, BLACK, W/O CPA      | 33472-1241           | A-BLK   | GC          | PLR |     | M        | R         | 1 |  |   |   |   |   |   |   |   |    |    |    |  |        |          |                                      |                        | SALEABLE           |            | 34951-1210 | 34951-1220 |
| KEY B, LIGHT GRAY, W/O CPA | 33472-1242           | B-LG  | GC          | PLR |     | M        | R         | 1 |  |   |   |   |   |   |   |   |    |    |    |  |        |          |                                      |                        | SALEABLE           |            | 34951-1210 | 34951-1220 |
| KEY C, BROWN, W/O CPA      | 33472-1243           | C-BR  | GC          | PLR |     | M        | R         | 1 |  |   |   |   |   |   |   |   |    |    |    |  |        |          |                                      | NOT RECOMMENDED        |                    | 34951-1210 | 34951-1220 |            |
| KEY D, GREEN, W/O CPA      | 33472-1244           | D-GR  | GC          | PLR |     | M        | R         | 1 |  |   |   |   |   |   |   |   |    |    |    |  |        |          |                                      | NOT RECOMMENDED        |                    | 34951-1210 | 34951-1220 |            |
| VOID KEY                   | 33472-1245           |   |             |     |     |          |           |   |  |   |   |   |   |   |   |   |    |    |    |  |        |          |                                      |                        |                    |            |            |            |
| KEY A, BLACK, W/CPA        | 33472-1246           | A-BLK   | GC          | PLR | CPA | M        | R         | 1 |  |   |   |   |   |   |   |   |    |    |    |  |        |          |                                      |                        | SALEABLE           |            | 34951-1210 | 34951-1220 |
| KEY B, LIGHT GRAY, W/CPA   | 33472-1247           | B-LG  | GC          | PLR | CPA | M        | R         | 1 |  |   |   |   |   |   |   |   |    |    |    |  |        |          |                                      |                        | SALEABLE           |            | 34951-1210 | 34951-1220 |
| KEY C, BROWN, W/CPA        | 33472-1248           | C-BR  | GC          | PLR | CPA | M        | R         | 1 |  |   |   |   |   |   |   |   |    |    |    |  |        |          |                                      | NOT RECOMMENDED        |                    | 34951-1210 | 34951-1220 |            |
| KEY D, GREEN, W/CPA        | 33472-1249           | D-GR  | GC          | PLR | CPA | M        | R         | 1 |  |   |   |   |   |   |   |   |    |    |    |  |        |          |                                      | NOT RECOMMENDED        |                    | 34951-1210 | 34951-1220 |            |
| VOID KEY                   | 33472-1250           |   |             |     |     |          |           |   |  |   |   |   |   |   |   |   |    |    |    |  |        |          |                                      |                        |                    |            |            |            |
| KEY A, BLACK, W/O CPA      | 33472-1251           | A-BLK   | GC          | PLR |     | M        | R         |   |  |   |   |   |   |   |   |   |    |    |    |  |        |          |                                      |                        | SALEABLE           |            | 34951-1210 | 34951-1220 |
| KEY A, BLACK, W/CPA        | 33472-1252           | A-BLK   | GC          | PLR | CPA | M        | R         |   |  |   |   |   |   |   |   |   |    |    |    |  |        |          |                                      |                        | SALEABLE           |            | 34951-1210 | 34951-1220 |
| KEY C, DARK GRAY, W/O CPA  | 33472-1253           | C-DG  | GC          | PLR |     | M        | R         |   |  |   |   |   |   |   |   |   |    |    |    |  |        |          |                                      |                        | SALEABLE           |            | 34951-1210 | 34951-1220 |
| KEY D, STONE GRAY, W/O CPA | 33472-1254           | D-SG  | GC          | PLR |     | M        | R         |   |  |   |   |   |   |   |   |   |    |    |    |  |        |          |                                      |                        | SALEABLE           |            | 34951-1210 | 34951-1220 |



MX150 RECEPTACLE 2X6 SEALED ASSEMBLY MAT SEAL  
BOM AND PIN OUT SHEET

| ASSEMBLY DESCRIPTION                      | ASSEMBLY PART NUMBER | COMPONENT   |             |     |     |          |           |   | BLOCKED TERMINALS  |   |   |   |   |   |   |   |    |    |    |                 | STATUS             | COMMENTS   | OPTIONAL ATTACHMENTS SOLD SEPERATELY |                        |            |
|---|----------------------|---|-------------|-----|-----|----------|-----------|---|--|---|---|---|---|---|---|---|----|----|----|-----------------|--------------------|------------|--------------------------------------|------------------------|------------|
|   |                      | THE PRESENCE OF AN ABBREVIATION INDICATES THE PRESENCE OF THAT COMPONENT. |             |     |     |          |           |   | CAVITY WITH A NUMBER INDICATES BLOCKED TERMINAL POSITION<br>CAVITY WITHOUT A NUMBER INDICATES OPEN TERMINAL POSITION |   |   |   |   |   |   |   |    |    |    |                 |                    |            | BACKSHELL WITH RIBS                  | BACKSHELL WITHOUT RIBS |            |
|   |                      | HOUSING KEY/COLOR   | GROMMET CAP | PLR | CPA | MAT SEAL | RING SEAL | 1 | 2  | 3 | 4 | 5 | 6 | 7 | 8 | 9 | 10 | 11 | 12 |                 |                    |            |                                      |                        |            |
| KEY A, BLACK, W/CPA                       | 33472-1255           | A-BLK   | GC          | PLR | CPA | M        | R         |   |  |   |   |   |   |   |   |   |    | 11 |    | SALEABLE        |                    | 34951-1210 | 34951-1220                           |                        |            |
| KEY A, BLACK, W/CPA                       | 33472-1256           | A-BLK   | GC          | PLR | CPA | M        | R         |   |  |   |   |   |   |   |   |   |    | 11 | 12 | SALEABLE        |                    | 34951-1210 | 34951-1220                           |                        |            |
| KEY A, BLACK, W/O CPA                     | 33472-1257           | A-BLK   | GC          | PLR |     | M        | R         |   |  |   |   |   |   |   |   |   |    | 10 | 12 | SALEABLE        |                    | 34951-1210 | 34951-1220                           |                        |            |
| KEY A, BLACK, W/O CPA                     | 33472-1258           | A-BLK   | GC          | PLR |     | M        | R         | 1 | 2  | 3 | 4 | 5 | 6 | 7 | 8 | 9 | 10 | 11 | 12 | SALEABLE        |                    | 34951-1210 | 34951-1220                           |                        |            |
| KEY C, DARK GRAY, W/CPA                   | 33472-1259           | C-DG  | GC          | PLR | CPA | M        | R         |   |  |   |   |   |   |   |   |   |    |    |    | SALEABLE        |                    | 34951-1210 | 34951-1220                           |                        |            |
| KEY D, STONE GRAY, W/CPA                  | 33472-1260           | D-SG  | GC          | PLR | CPA | M        | R         |   |  |   |   |   |   |   |   |   |    |    |    | SALEABLE        |                    | 34951-1210 | 34951-1220                           |                        |            |
| KEY A, BLACK, W/O CPA                     | 33472-1261           | A-BLK   | GC          | PLR |     | M        | R         |   |  |   |   |   |   |   |   |   |    | 9  | 10 | SALEABLE        |                    | 34951-1210 | 34951-1220                           |                        |            |
| KEY A, BLACK, W/CPA                       | 33472-1262           | A-BLK   | GC          | PLR | CPA | M        | R         |   |  |   |   |   |   |   | 8 | 9 | 10 | 11 | 12 | SALEABLE        |                    | 34951-1210 | 34951-1220                           |                        |            |
| KEY B, LIGHT GRAY, W/CPA                  | 33472-1263           | B-LG  | GC          | PLR | CPA | M        | R         |   |  |   |   |   |   |   |   |   |    |    |    | SALEABLE        |                    | 34951-1210 | 34951-1220                           |                        |            |
| KEY C, DARK GRAY, W/CPA                   | 33472-1264           | C-DG  | GC          | PLR | CPA | M        | R         |   |  |   |   |   |   |   |   |   |    | 11 | 12 | SALEABLE        |                    | 34951-1210 | 34951-1220                           |                        |            |
| KEY D, STONE GRAY, W/CPA                  | 33472-1265           | D-SG  | GC          | PLR | CPA | M        | R         |   |  |   |   |   |   |   |   |   |    |    |    | SALEABLE        |                    | 34951-1210 | 34951-1220                           |                        |            |
| KEY A, BLACK, W/CPA                       | 33472-1266           | A-BLK   | GC          | PLR | CPA | M        | R         |   |  |   |   |   |   |   |   |   |    | 11 | 12 | SALEABLE        |                    | 34951-1210 | 34951-1220                           |                        |            |
| KEY D, STONE GRAY, W/CPA                  | 33472-1267           | D-SG  | GC          | PLR | CPA | M        | R         | 1 |  |   |   |   |   | 6 | 7 |   |    |    |    | SALEABLE        |                    | 34951-1210 | 34951-1220                           |                        |            |
| KEY A, BLACK, W/CPA                       | 33472-1268           | A-BLK   | GC          | PLR | CPA | M        | R         | 1 |  |   |   |   |   |   | 7 |   |    |    |    | SALEABLE        |                    | 34951-1210 | 34951-1220                           |                        |            |
| KEY A, BLACK, W/CPA                       | 33472-1269           | A-BLK   | GC          | PLR | CPA | M        | R         | 1 | 2  |   |   | 4 |   | 6 | 7 | 8 |    | 10 | 11 | 12              | SALEABLE           |            | 34951-1210                           | 34951-1220             |            |
| KEY A, BLACK, W/CPA                       | 33472-1270           | A-BLK   | GC          | PLR | CPA | M        | R         |   |  |   |   |   |   |   | 7 |   |    |    |    | SALEABLE        |                    | 34951-1210 | 34951-1220                           |                        |            |
| KEY A, BLACK, W/CPA                       | 33472-1271           | A-BLK   | GC          | PLR | CPA | M        | R         |   |  |   |   | 4 |   | 6 |   |   |    | 10 | 11 | 12              | SALEABLE           |            | 34951-1210                           | 34951-1220             |            |
| KEY A, BLACK, W/CPA                       | 33472-1272           | A-BLK   | GC          | PLR | CPA | M        | R         |   |  |   |   |   |   | 6 |   |   |    | 9  | 10 | 11              | 12                 | SALEABLE   |                                      | 34951-1210             | 34951-1220 |
| KEY A, BLACK, W/O CPA                     | 33472-1273           | A-BLK   | GC          | PLR |     | M        | R         |   |  |   |   |   |   | 6 |   |   |    | 9  | 10 | 11              | 12                 | SALEABLE   |                                      | 34951-1210             | 34951-1220 |
| KEY A, BLACK, W/CPA                       | 33472-1274           | A-BLK   | GC          | PLR | CPA | M        | R         |   |  |   |   |   |   | 6 |   |   |    |    | 11 | 12              | SALEABLE           |            | 34951-1210                           | 34951-1220             |            |
| KEY A, BLACK, W/O CPA                     | 33472-1275           | A-BLK   | GC          | PLR |     | M        | R         | 1 | 2  | 3 | 4 | 5 | 6 |   | 8 |   |    |    |    | SALEABLE        |                    | 34951-1210 | 34951-1220                           |                        |            |
| KEY A, BLACK, W/O CPA                     | 33472-1276           | A-BLK   | GC          | PLR |     | M        | R         | 1 |  |   |   |   |   | 6 |   |   |    |    |    | SALEABLE        |                    | 34951-1210 | 34951-1220                           |                        |            |
| KEY A, BLACK, W/O CPA                     | 33472-1277           | A-BLK   | GC          | PLR |     | M        | R         | 1 |  |   |   |   |   |   | 7 |   |    |    |    | SALEABLE        |                    | 34951-1210 | 34951-1220                           |                        |            |
| KEY B, LIGHT GRAY, W/CPA                  | 33472-1278           | B-LG  | GC          | PLR | CPA | M        | R         |   |  |   |   |   |   |   |   |   |    | 10 | 11 | SALEABLE        |                    | 34951-1210 | 34951-1220                           |                        |            |
| KEY A, BLACK, W/O CPA                     | 33472-1279           | A-BLK   | GC          | PLR |     | M        | R         |   |  |   |   |   |   |   | 7 |   |    |    | 11 | SALEABLE        |                    | 34951-1210 | 34951-1220                           |                        |            |
| KEY A, BLACK, W/O CPA                     | 33472-1280           | A-BLK   | GC          | PLR |     | M        | R         |   | 2  |   |   |   |   |   | 7 |   |    |    |    | SALEABLE        |                    | 34951-1210 | 34951-1220                           |                        |            |
| KEY A, BLACK, W/O CPA                     | 33472-1281           | A-BLK   | GC          | PLR |     | M        | R         | 1 |  |   |   | 4 |   |   |   |   |    |    |    | SALEABLE        |                    | 34951-1210 | 34951-1220                           |                        |            |
| KEY A, BLACK, W/CPA                       | 33472-1282           | A-BLK   | GC          | PLR | CPA | M        | R         | 1 | 2  |   |   |   |   | 6 | 7 | 8 |    |    |    | SALEABLE        |                    | 34951-1210 | 34951-1220                           |                        |            |
| KEY A, BLACK, W/CPA                       | 33472-1283           | A-BLK   | GC          | PLR | CPA | M        | R         | 1 |  |   |   |   |   |   | 7 |   |    |    |    | SALEABLE        |                    | 34951-1210 | 34951-1220                           |                        |            |
| KEY A, BLACK, W/CPA                       | 33472-1284           | A-BLK   | GC          | PLR | CPA | M        | R         | 1 | 2  | 3 | 4 | 5 | 6 |   | 8 |   |    |    |    | SALEABLE        |                    | 34951-1210 | 34951-1220                           |                        |            |
| KEY A, BLACK, W/CPA                       | 33472-1285           | A-BLK   | GC          | PLR | CPA | M        | R         | 1 |  |   |   |   |   | 6 |   |   |    |    |    | SALEABLE        |                    | 34951-1210 | 34951-1220                           |                        |            |
| KEY C, DARK GRAY, W/CPA                   | 33472-1286           | C-DG  | GC          | PLR | CPA | M        | R         | 1 |  |   |   |   |   | 6 | 7 |   |    |    |    | SALEABLE        |                    | 34951-1210 | 34951-1220                           |                        |            |
| KEY A, BLACK, W/CPA                       | 33472-1287           | A-BLK   | GC          | PLR | CPA | M        | R         |   |  |   |   |   |   |   |   |   |    | 10 | 11 | 12              | SALEABLE           |            | 34951-1210                           | 34951-1220             |            |
| KEY C, DARK GRAY, W/CPA                   | 33472-1288           | C-DG  | GC          | PLR | CPA | M        | R         |   |  |   |   |   |   |   |   |   |    |    |    | SALEABLE        |                    | 34951-1210 | 34951-1220                           |                        |            |
| KEY C, DARK GRAY, W/CPA                   | 33472-1289           | C-DG  | GC          | PLR | CPA | M        | R         |   |  |   |   |   |   |   |   |   |    | 9  | 10 | 11              | 12                 | SALEABLE   |                                      | 34951-1210             | 34951-1220 |
| KEY A, BLACK, W/CPA                       | 33472-1290           | A-BLK   | GC          | PLR | CPA | M        | R         |   |  |   |   |   |   |   |   |   |    |    |    | SALEABLE        |                    | 34951-1210 | 34951-1220                           |                        |            |
| KEY A, BLACK, W/CPA                       | 33472-1291           | A-BLK   | GC          | PLR | CPA | M        | R         | 1 |  |   |   |   |   | 5 | 6 | 7 | 8  |    |    | SALEABLE        |                    | 34951-1210 | 34951-1220                           |                        |            |
| KEY A, YELLOW, W/CPA                      | 33472-1292           | A-YW  | GC          | PLR | CPA | M        | R         |   |  |   |   |   |   |   |   |   |    |    |    | SALEABLE        |                    | 34951-1210 | 34951-1220                           |                        |            |
| KEY A, BLACK, W/CPA                       | 33472-1293           | A-BLK   | GC          | PLR | CPA | M        | R         | 1 |  |   |   |   |   |   |   |   |    |    |    | SALEABLE        |                    | 34951-1210 | 34951-1220                           |                        |            |
| KEY A, BLACK, W/CPA                       | 33472-1294           | A-BLK   | GC          | PLR | CPA | M        | R         |   |  |   |   | 4 |   |   |   |   |    |    |    | SALEABLE        |                    | 34951-1210 | 34951-1220                           |                        |            |
| KEY D, STONE GRAY, W/CPA                  | 33472-1295           | D-SG  | GC          | PLR | CPA | M        | R         |   |  |   |   |   |   |   |   |   |    | 8  |    | SALEABLE        |                    | 34951-1210 | 34951-1220                           |                        |            |
| KEY A, BLACK, W/CPA                       | 33472-1296           | A-BLK   | GC          | PLR | CPA | M        | R         |   |  |   |   |   |   |   |   |   |    | 9  | 10 | 11              | 12                 | SALEABLE   |                                      | 34951-1210             | 34951-1220 |
| KEY A, BLACK, W/CPA                       | 33472-1297           | A-BLK   | GC          | PLR | CPA | M        | R         | 1 | 2  | 3 | 4 | 5 | 6 |   | 8 | 9 | 10 | 11 | 12 | SALEABLE        |                    | 34951-1210 | 34951-1220                           |                        |            |
| KEY A, BLACK, WITH CLIPSLOT, W/O CPA      | 33472-1301           | A-BLK-CLIP  | GC          | PLR |     | M        | R         |   |  |   |   |   |   |   |   |   |    |    |    | SALEABLE        |                    | N/A        | N/A                                  |                        |            |
| KEY B, LIGHT GRAY, WITH CLIPSLOT, W/O CPA | 33472-1302           | B-LG-CLIP   | GC          | PLR |     | M        | R         |   |  |   |   |   |   |   |   |   |    |    |    | SALEABLE        |                    | N/A        | N/A                                  |                        |            |
| KEY C, BROWN, WITH CLIPSLOT, W/O CPA      | 33472-1303           | C-BR-CLIP   | GC          | PLR |     | M        | R         |   |  |   |   |   |   |   |   |   |    |    |    | NOT RECOMMENDED | SEE P/N 33472-1407 | N/A        | N/A                                  |                        |            |
| KEY D, GREEN, WITH CLIPSLOT, W/O CPA      | 33472-1304           | D-GR-CLIP   | GC          | PLR |     | M        | R         |   |  |   |   |   |   |   |   |   |    |    |    | NOT RECOMMENDED | SEE P/N 33472-1408 | N/A        | N/A                                  |                        |            |
| VOID KEY                                  | 33472-1305           |   |             |     |     |          |           |   |  |   |   |   |   |   |   |   |    |    |    |                 |                    |            |                                      |                        |            |
| KEY A, BLACK, WITH CLIPSLOT, W/CPA        | 33472-1306           | A-BLK-CLIP  | GC          | PLR | CPA | M        | R         |   |  |   |   |   |   |   |   |   |    |    |    | SALEABLE        |                    | N/A        | N/A                                  |                        |            |
| KEY B, LIGHT GRAY, WITH CLIPSLOT, W/CPA   | 33472-1307           | B-LG-CLIP   | GC          | PLR | CPA | M        | R         |   |  |   |   |   |   |   |   |   |    |    |    | SALEABLE        |                    | N/A        | N/A                                  |                        |            |
| KEY C, BROWN, WITH CLIPSLOT, W/CPA        | 33472-1308           | C-BR-CLIP   | GC          | PLR | CPA | M        | R         |   |  |   |   |   |   |   |   |   |    |    |    | NOT RECOMMENDED | SEE P/N 33472-1409 | N/A        | N/A                                  |                        |            |
| KEY D, GREEN, WITH CLIPSLOT, W/CPA        | 33472-1309           | D-GR-CLIP   | GC          | PLR | CPA | M        | R         |   |  |   |   |   |   |   |   |   |    |    |    | NOT RECOMMENDED | SEE P/N 33472-1410 | N/A        | N/A                                  |                        |            |
| VOID KEY                                  | 33472-1310           |   |             |     |     |          |           |   |  |   |   |   |   |   |   |   |    |    |    |                 |                    |            |                                      |                        |            |
| KEY A, BLACK, WITH CLIPSLOT, W/O CPA      | 33472-1311           | A-BLK-CLIP  | GC          | PLR |     | M        | R         | 1 | 2  | 3 | 4 | 5 | 6 | 7 | 8 | 9 | 10 | 11 | 12 | SALEABLE        |                    | N/A        | N/A                                  |                        |            |
| KEY B, LIGHT GRAY, WITH CLIPSLOT, W/O CPA | 33472-1312           | B-LG-CLIP   | GC          | PLR |     | M        | R         | 1 | 2  | 3 | 4 | 5 | 6 | 7 | 8 | 9 | 10 | 11 | 12 | SALEABLE        |                    | N/A        | N/A                                  |                        |            |
| KEY C, BROWN, WITH CLIPSLOT, W/O CPA      | 33472-1313           | C-BR-CLIP   | GC          | PLR |     | M        | R         | 1 | 2  | 3 | 4 | 5 | 6 | 7 | 8 | 9 | 10 | 11 | 12 | NOT RECOMMENDED | SEE P/N 33472-1411 | N/A        | N/A                                  |                        |            |
| KEY D, GREEN, WITH CLIPSLOT, W/O CPA      | 33472-1314           | D-GR-CLIP   | GC          | PLR |     | M        | R         | 1 | 2  | 3 | 4 | 5 | 6 | 7 | 8 | 9 | 10 | 11 | 12 | NOT RECOMMENDED | SEE P/N 33472-1412 | N/A        | N/A                                  |                        |            |
| VOID KEY                                  | 33472-1315           |   |             |     |     |          |           |   |  |   |   |   |   |   |   |   |    |    |    |                 |                    |            |                                      |                        |            |
| KEY A, BLACK, WITH CLIPSLOT, W/CPA        | 33472-1316           | A-BLK-CLIP  | GC          | PLR | CPA | M        | R         | 1 | 2  | 3 | 4 | 5 | 6 | 7 | 8 | 9 | 10 | 11 | 12 | SALEABLE        |                    | N/A        | N/A                                  |                        |            |
| KEY B, LIGHT GRAY, WITH CLIPSLOT, W/CPA   | 33472-1317           | B-LG-CLIP   | GC          | PLR | CPA | M        | R         | 1 | 2  | 3 | 4 | 5 | 6 | 7 | 8 | 9 | 10 | 11 | 12 | SALEABLE        |                    | N/A        | N/A                                  |                        |            |
| KEY C, BROWN, WITH CLIPSLOT, W/CPA        | 33472-1318           | C-BR-CLIP   | GC          | PLR | CPA | M        | R         | 1 | 2  | 3 | 4 | 5 | 6 | 7 | 8 | 9 | 10 | 11 | 12 | NOT RECOMMENDED | SEE P/N 33472-1413 | N/A        | N/A                                  |                        |            |
| KEY D, GREEN, WITH CLIPSLOT, W/CPA        | 33472-1319           | D-GR-CLIP   | GC          | PLR | CPA | M        | R         | 1 | 2  | 3 | 4 | 5 | 6 | 7 | 8 | 9 | 10 | 11 | 12 | NOT RECOMMENDED | SEE P/N 33472-1414 | N/A        | N/A                                  |                        |            |
| VOID KEY                                  | 33472-1320           |   |             |     |     |          |           |   |  |   |   |   |   |   |   |   |    |    |    |                 |                    |            |                                      |                        |            |
| KEY A, BLACK, WITH CLIPSLOT, W/O CPA      | 33472-1321           | A-BLK-CLIP  | GC          | PLR |     | M        | R         |   |  |   |   |   |   |   |   |   |    |    | 11 | SALEABLE        |                    | N/A        | N/A                                  |                        |            |
| KEY A, BLACK, WITH CLIPSLOT, W/O CPA      | 33472-1322           | A-BLK-CLIP  | GC          | PLR |     | M        | R         |   |  |   |   |   |   |   |   |   |    |    |    | SALEABLE        |                    | N/A        | N/A                                  |                        |            |
| KEY A, BLACK, WITH CLIPSLOT, W/O CPA      | 33472-1323           | A-BLK-CLIP  | GC          | PLR |     | M        | R         |   |  |   |   |   |   |   |   |   |    |    |    | SALEABLE        |                    | N/A        | N/A                                  |                        |            |
| KEY A, BLACK, WITH CLIPSLOT, W/O CPA      | 33472-1324           | A-BLK-CLIP  | GC          | PLR |     | M        | R         |   |  |   |   |   |   |   |   |   |    |    |    | SALEABLE        |                    | N/A        | N/A                                  |                        |            |
| KEY A, BLACK, WITH CLIPSLOT, W/O CPA      | 33472-1325           | A-BLK-CLIP  | GC          | PLR |     | M        | R         | 1 |  |   |   |   |   | 5 | 6 | 7 | 8  |    |    | SALEABLE        |                    | N/A        | N/A                                  |                        |            |
| KEY B, LIGHT GRAY, WITH CLIPSLOT, W/O CPA | 33472-1326           | B-LG-CLIP   | GC          | PLR |     | M        | R         | 1 |  |   |   |   |   | 5 | 6 | 7 | 8  | 9  | 10 | SALEABLE        |                    | N/A        | N/A                                  |                        |            |
| KEY A, BLACK, WITH CLIPSLOT, W/O CPA      | 33472-1327           | A-BLK-CLIP  | GC          | PLR |     | M        | R         |   |  |   |   |   |   |   |   |   |    |    |    | SALEABLE        |                    | N/A        | N/A                                  |                        |            |
| KEY B, LIGHT GRAY, WITH CLIPSLOT, W/O CPA | 33472-1328           | B-LG-CLIP   | GC          | PLR |     | M        | R         |   |  |   |   |   |   |   |   |   |    |    | 9  | 10              | SALEABLE           |            | N/A                                  | N/A                    |            |
| KEY A, BLACK, WITH CLIPSLOT, W/O CPA      | 33472-1329           | A-BLK-CLIP  | GC          | PLR |     | M        | R         |   |  |   |   |   |   |   |   |   |    |    |    | SALEABLE        |                    | N/A        | N/A                                  |                        |            |
| KEY A, BLACK, WITH CLIPSLOT, W/O CPA      | 33472-1330           | A-BLK-CLIP  | GC          | PLR |     |          |           |   |  |   |   |   |   |   |   |   |    |    |    |                 |                    |            |                                      |                        |            |

MX150 RECEPTACLE 2X6 SEALED ASSEMBLY MAT SEAL  
BOM AND PIN OUT SHEET

| ASSEMBLY DESCRIPTION                      | ASSEMBLY PART NUMBER | COMPONENT   |             |     |     |          |           | BLOCKED TERMINALS  |   |   |   |   |   |   |   |    |    |    |    | STATUS   | COMMENTS | OPTIONAL ATTACHMENTS SOLD SEPARATELY |                        |
|---|----------------------|---|-------------|-----|-----|----------|-----------|--|---|---|---|---|---|---|---|----|----|----|----|----------|----------|--------------------------------------|------------------------|
|   |                      | THE PRESENCE OF AN ABBREVIATION INDICATES THE PRESENCE OF THAT COMPONENT. |             |     |     |          |           | CAVITY WITH A NUMBER INDICATES BLOCKED TERMINAL POSITION<br>CAVITY WITHOUT A NUMBER INDICATES OPEN TERMINAL POSITION |   |   |   |   |   |   |   |    |    |    |    |          |          | BACKSHELL WITH RIBS                  | BACKSHELL WITHOUT RIBS |
|   |                      | HOUSING KEY/COLOR   | GROMMET CAP | PLR | CPA | MAT SEAL | RING SEAL | 1  | 2 | 3 | 4 | 5 | 6 | 7 | 8 | 9  | 10 | 11 | 12 |          |          |                                      |                        |
| KEY A, BLACK, WITH CLIPSLOT, W/O CPA      | 33472-1339           | A-BLK-CLIP  | GC          | PLR |     | M        | R         |  |   |   | 4 | 5 | 6 | 7 | 8 | 9  |    |    |    | SALEABLE |          | N/A                                  | N/A                    |
| KEY A, BLACK, WITH CLIPSLOT, W/O CPA      | 33472-1340           | A-BLK-CLIP  | GC          | PLR |     | M        | R         |  |   |   |   |   | 6 | 7 | 8 |    |    |    |    | SALEABLE |          | N/A                                  | N/A                    |
| KEY A, BLACK, WITH CLIPSLOT, W/O CPA      | 33472-1341           | A-BLK-CLIP  | GC          | PLR |     | M        | R         |  | 2 |   | 4 | 5 |   |   | 8 |    |    | 10 | 11 | SALEABLE |          | N/A                                  | N/A                    |
| KEY A, BLACK, WITH CLIPSLOT, W/O CPA      | 33472-1342           | A-BLK-CLIP  | GC          | PLR |     | M        | R         |  |   |   | 4 |   |   |   |   | 9  | 10 |    |    | SALEABLE |          | N/A                                  | N/A                    |
| KEY A, BLACK, WITH CLIPSLOT, W/O CPA      | 33472-1343           | A-BLK-CLIP  | GC          | PLR |     | M        | R         | 1  |   |   |   |   | 6 | 7 |   |    |    |    |    | SALEABLE |          | N/A                                  | N/A                    |
| KEY A, BLACK, WITH CLIPSLOT, W/O CPA      | 33472-1344           | A-BLK-CLIP  | GC          | PLR |     | M        | R         |  |   |   |   |   |   |   |   |    |    | 11 |    | SALEABLE |          | N/A                                  | N/A                    |
| KEY A, BLACK, WITH CLIPSLOT, W/O CPA      | 33472-1345           | A-BLK-CLIP  | GC          | PLR |     | M        | R         |  |   |   |   |   | 7 |   |   |    |    |    |    | SALEABLE |          | N/A                                  | N/A                    |
| KEY A, BLACK, WITH CLIPSLOT, W/O CPA      | 33472-1346           | A-BLK-CLIP  | GC          | PLR |     | M        | R         |  | 2 | 3 | 4 | 5 |   |   |   |    | 10 | 11 | 12 | SALEABLE |          | N/A                                  | N/A                    |
| KEY A, BLACK, WITH CLIPSLOT, W/O CPA      | 33472-1347           | A-BLK-CLIP  | GC          | PLR |     | M        | R         | 1  |   |   |   |   | 6 | 7 |   | 9  |    |    |    | SALEABLE |          | N/A                                  | N/A                    |
| KEY A, BLACK, WITH CLIPSLOT, W/O CPA      | 33472-1348           | A-BLK-CLIP  | GC          | PLR |     | M        | R         |  | 2 | 3 | 4 | 5 | 6 | 7 | 8 |    | 10 | 11 | 12 | SALEABLE |          | N/A                                  | N/A                    |
| KEY A, BLACK, WITH CLIPSLOT, W/CPA        | 33472-1349           | A-BLK-CLIP  | GC          | PLR | CPA | M        | R         |  |   | 3 |   | 5 |   |   |   |    |    | 11 |    | SALEABLE |          | N/A                                  | N/A                    |
| KEY A, BLACK, WITH CLIPSLOT, W/O CPA      | 33472-1350           | A-BLK-CLIP  | GC          | PLR |     | M        | R         |  | 2 | 3 |   |   |   |   |   |    |    | 11 |    | SALEABLE |          | N/A                                  | N/A                    |
| KEY A, BLACK, WITH CLIPSLOT, W/O CPA      | 33472-1351           | A-BLK-CLIP  | GC          | PLR |     | M        | R         | 1  | 2 | 3 | 4 | 5 |   |   |   | 9  | 10 | 11 | 12 | SALEABLE |          | N/A                                  | N/A                    |
| KEY A, BLACK, WITH CLIPSLOT, W/O CPA      | 33472-1352           | A-BLK-CLIP  | GC          | PLR |     | M        | R         |  |   |   |   |   |   |   |   |    |    | 11 | 12 | SALEABLE |          | N/A                                  | N/A                    |
| KEY A, BLACK, WITH CLIPSLOT, W/O CPA      | 33472-1353           | A-BLK-CLIP  | GC          | PLR |     | M        | R         |  | 2 | 3 |   |   |   |   |   | 9  | 10 | 11 |    | SALEABLE |          | N/A                                  | N/A                    |
| KEY A, BLACK, WITH CLIPSLOT, W/O CPA      | 33472-1354           | A-BLK-CLIP  | GC          | PLR |     | M        | R         | 1  | 2 | 3 | 4 | 5 |   |   | 8 | 9  | 10 | 11 | 12 | SALEABLE |          | N/A                                  | N/A                    |
| KEY A, BLACK, WITH CLIPSLOT, W/O CPA      | 33472-1355           | A-BLK-CLIP  | GC          | PLR |     | M        | R         | 1  | 2 | 3 | 4 | 5 |   |   |   |    |    |    | 12 | SALEABLE |          | N/A                                  | N/A                    |
| KEY A, BLACK, WITH CLIPSLOT, W/O CPA      | 33472-1356           | A-BLK-CLIP  | GC          | PLR |     | M        | R         |  |   | 3 | 4 | 5 |   |   |   |    |    |    |    | SALEABLE |          | N/A                                  | N/A                    |
| KEY A, BLACK, WITH CLIPSLOT, W/O CPA      | 33472-1357           | A-BLK-CLIP  | GC          | PLR |     | M        | R         |  |   | 3 | 4 | 5 | 6 | 7 | 8 | 9  | 10 | 11 |    | SALEABLE |          | N/A                                  | N/A                    |
| KEY A, BLACK, WITH CLIPSLOT, W/O CPA      | 33472-1358           | A-BLK-CLIP  | GC          | PLR |     | M        | R         |  | 2 | 3 |   |   |   |   | 8 | 9  | 10 | 11 | 12 | SALEABLE |          | N/A                                  | N/A                    |
| KEY A, BLACK, WITH CLIPSLOT, W/CPA        | 33472-1359           | A-BLK-CLIP  | GC          | PLR | CPA | M        | R         |  |   |   |   | 5 |   |   | 8 | 9  |    | 11 |    | SALEABLE |          | N/A                                  | N/A                    |
| KEY A, BLACK, WITH CLIPSLOT, W/O CPA      | 33472-1360           | A-BLK-CLIP  | GC          | PLR |     | M        | R         |  | 2 | 3 |   |   |   |   |   |    |    |    |    | SALEABLE |          | N/A                                  | N/A                    |
| KEY A, BLACK, WITH CLIPSLOT, W/O CPA      | 33472-1361           | A-BLK-CLIP  | GC          | PLR |     | M        | R         | 1  | 2 | 3 |   |   |   |   |   |    |    | 11 | 12 | SALEABLE |          | N/A                                  | N/A                    |
| KEY A, BLACK, WITH CLIPSLOT, W/O CPA      | 33472-1362           | A-BLK-CLIP  | GC          | PLR |     | M        | R         | 1  | 2 | 3 | 4 |   | 6 |   | 8 |    | 10 | 11 | 12 | SALEABLE |          | N/A                                  | N/A                    |
| KEY A, BLACK, WITH CLIPSLOT, W/O CPA      | 33472-1363           | A-BLK-CLIP  | GC          | PLR |     | M        | R         |  | 2 |   | 4 |   | 6 |   | 8 |    | 10 | 11 | 12 | SALEABLE |          | N/A                                  | N/A                    |
| KEY A, BLACK, WITH CLIPSLOT, W/O CPA      | 33472-1364           | A-BLK-CLIP  | GC          | PLR |     | M        | R         |  |   |   |   |   |   |   |   |    |    | 11 | 12 | SALEABLE |          | N/A                                  | N/A                    |
| KEY A, BLACK, WITH CLIPSLOT, W/O CPA      | 33472-1365           | A-BLK-CLIP  | GC          | PLR |     | M        | R         | 1  | 2 | 3 | 4 | 5 | 6 |   |   | 9  |    |    |    | SALEABLE |          | N/A                                  | N/A                    |
| KEY A, BLACK, WITH CLIPSLOT, W/O CPA      | 33472-1366           | A-BLK-CLIP  | GC          | PLR |     | M        | R         |  |   |   |   |   | 6 |   |   | 9  |    |    |    | SALEABLE |          | N/A                                  | N/A                    |
| KEY A, BLACK, WITH CLIPSLOT, W/O CPA      | 33472-1367           | A-BLK-CLIP  | GC          | PLR |     | M        | R         |  | 2 |   |   |   |   | 7 | 8 | 9  |    |    |    | SALEABLE |          | N/A                                  | N/A                    |
| KEY A, BLACK, WITH CLIPSLOT, W/O CPA      | 33472-1368           | A-BLK-CLIP  | GC          | PLR |     | M        | R         |  |   | 3 | 4 | 5 | 6 | 7 |   |    |    |    |    | SALEABLE |          | N/A                                  | N/A                    |
| KEY A, BLACK, WITH CLIPSLOT, W/O CPA      | 33472-1369           | A-BLK-CLIP  | GC          | PLR |     | M        | R         | 1  | 2 | 3 | 4 | 5 | 6 | 7 |   |    |    |    | 12 | SALEABLE |          | N/A                                  | N/A                    |
| KEY A, BLACK, WITH CLIPSLOT, W/O CPA      | 33472-1370           | A-BLK-CLIP  | GC          | PLR |     | M        | R         | 1  | 2 | 3 | 4 | 5 |   | 7 | 8 | 9  | 10 | 11 |    | SALEABLE |          | N/A                                  | N/A                    |
| KEY A, BLACK, WITH CLIPSLOT, W/O CPA      | 33472-1371           | A-BLK-CLIP  | GC          | PLR |     | M        | R         |  | 2 |   | 4 |   | 6 |   |   | 10 | 11 |    |    | SALEABLE |          | N/A                                  | N/A                    |
| KEY A, BLACK, WITH CLIPSLOT, W/O CPA      | 33472-1372           | A-BLK-CLIP  | GC          | PLR |     | M        | R         |  |   |   |   |   |   |   | 8 |    |    |    |    | SALEABLE |          | N/A                                  | N/A                    |
| KEY A, BLACK, WITH CLIPSLOT, W/O CPA      | 33472-1373           | A-BLK-CLIP  | GC          | PLR |     | M        | R         | 1  |   | 3 | 4 | 5 | 6 | 7 | 8 |    | 10 | 11 | 12 | SALEABLE |          | N/A                                  | N/A                    |
| KEY A, BLACK, WITH CLIPSLOT, W/O CPA      | 33472-1374           | A-BLK-CLIP  | GC          | PLR |     | M        | R         |  |   |   |   |   | 6 |   |   | 9  | 10 | 11 | 12 | SALEABLE |          | N/A                                  | N/A                    |
| KEY A, BLACK, WITH CLIPSLOT, W/O CPA      | 33472-1375           | A-BLK-CLIP  | GC          | PLR |     | M        | R         |  |   |   |   |   |   |   |   |    |    |    | 12 | SALEABLE |          | N/A                                  | N/A                    |
| KEY A, BLACK, WITH CLIPSLOT, W/O CPA      | 33472-1376           | A-BLK-CLIP  | GC          | PLR |     | M        | R         |  |   |   |   |   | 6 |   |   |    |    |    | 12 | SALEABLE |          | N/A                                  | N/A                    |
| KEY A, BLACK, WITH CLIPSLOT, W/O CPA      | 33472-1377           | A-BLK-CLIP  | GC          | PLR |     | M        | R         | 1  | 2 |   |   | 5 | 6 | 7 | 8 |    |    | 11 | 12 | SALEABLE |          | N/A                                  | N/A                    |
| KEY A, BLACK, WITH CLIPSLOT, W/O CPA      | 33472-1378           | A-BLK-CLIP  | GC          | PLR |     | M        | R         |  |   |   |   |   |   |   |   | 9  |    |    |    | SALEABLE |          | N/A                                  | N/A                    |
| KEY A, BLACK, WITH CLIPSLOT, W/O CPA      | 33472-1379           | A-BLK-CLIP  | GC          | PLR |     | M        | R         |  |   | 3 | 4 |   |   |   |   | 9  | 10 | 11 | 12 | SALEABLE |          | N/A                                  | N/A                    |
| KEY A, BLACK, WITH CLIPSLOT, W/O CPA      | 33472-1380           | A-BLK-CLIP  | GC          | PLR |     | M        | R         | 1  | 2 | 3 | 4 | 5 | 6 | 7 | 8 | 9  |    |    |    | SALEABLE |          | N/A                                  | N/A                    |
| KEY A, BLACK, WITH CLIPSLOT, W/O CPA      | 33472-1381           | A-BLK-CLIP  | GC          | PLR |     | M        | R         | 1  | 2 |   |   | 5 | 6 | 7 | 8 |    |    |    |    | SALEABLE |          | N/A                                  | N/A                    |
| KEY A, BLACK, WITH CLIPSLOT, W/O CPA      | 33472-1382           | A-BLK-CLIP  | GC          | PLR |     | M        | R         |  |   |   | 4 |   |   |   | 8 |    | 10 |    |    | SALEABLE |          | N/A                                  | N/A                    |
| KEY A, BLACK, WITH CLIPSLOT, W/O CPA      | 33472-1383           | A-BLK-CLIP  | GC          | PLR |     | M        | R         | 1  | 2 | 3 | 4 | 5 | 6 |   |   | 9  | 10 | 11 | 12 | SALEABLE |          | N/A                                  | N/A                    |
| KEY A, BLACK, WITH CLIPSLOT, W/O CPA      | 33472-1384           | A-BLK-CLIP  | GC          | PLR |     | M        | R         | 1  |   |   | 4 |   |   |   |   |    |    | 11 |    | SALEABLE |          | N/A                                  | N/A                    |
| KEY A, BLACK, WITH CLIPSLOT, W/O CPA      | 33472-1385           | A-BLK-CLIP  | GC          | PLR |     | M        | R         |  |   |   |   |   |   |   |   | 9  | 10 | 11 | 12 | SALEABLE |          | N/A                                  | N/A                    |
| KEY A, BLACK, WITH CLIPSLOT, W/O CPA      | 33472-1386           | A-BLK-CLIP  | GC          | PLR |     | M        | R         | 1  | 2 | 3 | 4 | 5 | 6 | 7 | 8 |    |    |    | 12 | SALEABLE |          | N/A                                  | N/A                    |
| KEY A, BLACK, WITH CLIPSLOT, W/O CPA      | 33472-1387           | A-BLK-CLIP  | GC          | PLR |     | M        | R         | 1  | 2 |   |   |   | 6 | 7 | 8 |    |    |    |    | SALEABLE |          | N/A                                  | N/A                    |
| KEY A, BLACK, WITH CLIPSLOT, W/O CPA      | 33472-1388           | A-BLK-CLIP  | GC          | PLR |     | M        | R         | 1  | 2 |   |   |   |   | 7 | 8 |    |    |    |    | SALEABLE |          | N/A                                  | N/A                    |
| KEY A, BLACK, WITH CLIPSLOT, W/O CPA      | 33472-1389           | A-BLK-CLIP  | GC          | PLR |     | M        | R         | 1  |   |   |   |   | 6 | 7 | 8 |    |    |    | 12 | SALEABLE |          | N/A                                  | N/A                    |
| KEY A, BLACK, WITH CLIPSLOT, W/O CPA      | 33472-1390           | A-BLK-CLIP  | GC          | PLR |     | M        | R         |  |   |   |   |   |   | 7 | 8 |    |    |    |    | SALEABLE |          | N/A                                  | N/A                    |
| KEY A, BLACK, WITH CLIPSLOT, W/O CPA      | 33472-1391           | A-BLK-CLIP  | GC          | PLR |     | M        | R         |  | 2 |   | 4 |   |   | 7 | 8 | 9  | 10 |    |    | SALEABLE |          | N/A                                  | N/A                    |
| KEY A, BLACK, WITH CLIPSLOT, W/O CPA      | 33472-1392           | A-BLK-CLIP  | GC          | PLR |     | M        | R         |  |   | 3 |   | 5 | 6 | 7 | 8 | 9  | 10 | 11 | 12 | SALEABLE |          | N/A                                  | N/A                    |
| KEY A, BLACK, WITH CLIPSLOT, W/O CPA      | 33472-1393           | A-BLK-CLIP  | GC          | PLR |     | M        | R         |  |   | 3 |   |   |   | 7 |   | 9  | 10 | 11 | 12 | SALEABLE |          | N/A                                  | N/A                    |
| KEY A, BLACK, WITH CLIPSLOT, W/O CPA      | 33472-1394           | A-BLK-CLIP  | GC          | PLR |     | M        | R         |  |   |   |   |   |   |   |   | 10 | 11 | 12 |    | SALEABLE |          | N/A                                  | N/A                    |
| KEY A, BLACK, WITH CLIPSLOT, W/O CPA      | 33472-1395           | A-BLK-CLIP  | GC          | PLR |     | M        | R         | 1  | 2 | 3 | 4 |   | 6 | 7 | 8 | 9  | 10 |    | 12 | SALEABLE |          | N/A                                  | N/A                    |
| KEY A, BLACK, WITH CLIPSLOT, W/O CPA      | 33472-1396           | A-BLK-CLIP  | GC          | PLR |     | M        | R         | 1  | 2 | 3 | 4 |   |   | 7 | 8 | 9  | 10 |    |    | SALEABLE |          | N/A                                  | N/A                    |
| KEY A, BLACK, WITH CLIPSLOT, W/O CPA      | 33472-1397           | A-BLK-CLIP  | GC          | PLR |     | M        | R         |  |   |   |   |   | 6 |   | 8 | 9  | 10 | 11 | 12 | SALEABLE |          | N/A                                  | N/A                    |
| KEY B, LIGHT GRAY, WITH CLIPSLOT, W/O CPA | 33472-1398           | B-LG-CLIP   | GC          | PLR |     | M        | R         |  |   |   |   |   |   |   |   |    | 10 | 11 | 12 | SALEABLE |          | N/A                                  | N/A                    |
| KEY B, LIGHT GRAY, WITH CLIPSLOT, W/O CPA | 33472-1399           | B-LG-CLIP   | GC          | PLR |     | M        | R         |  |   |   |   |   | 6 | 7 |   |    | 10 | 11 | 12 | SALEABLE |          | N/A                                  | N/A                    |
| KEY B, LIGHT GRAY, WITH CLIPSLOT, W/O CPA | 33472-1400           | B-LG-CLIP   | GC          | PLR |     | M        | R         | 1  | 2 | 3 | 4 | 5 | 6 | 7 |   |    |    |    |    | SALEABLE |          | N/A                                  | N/A                    |
| KEY B, LIGHT GRAY, WITH CLIPSLOT, W/O CPA | 33472-1401           | B-LG-CLIP   | GC          | PLR |     | M        | R         | 1  | 2 | 3 | 4 | 5 | 6 |   |   | 9  | 10 | 11 | 12 | SALEABLE |          | N/A                                  | N/A                    |
| KEY B, LIGHT GRAY, WITH CLIPSLOT, W/O CPA | 33472-1402           | B-LG-CLIP   | GC          | PLR |     | M        | R         |  |   |   |   |   |   |   |   |    | 11 | 12 |    | SALEABLE |          | N/A                                  | N/A                    |
| KEY B, LIGHT GRAY, WITH CLIPSLOT, W/O CPA | 33472-1403           | B-LG-CLIP   | GC          | PLR |     | M        | R         |  |   |   |   | 5 | 6 |   |   | 9  | 10 | 11 | 12 | SALEABLE |          | N/A                                  | N/A                    |
| KEY B, LIGHT GRAY, WITH CLIPSLOT, W/O CPA | 33472-1404           | B-LG-CLIP   | GC          | PLR |     | M        | R         |  |   |   |   | 5 | 6 |   |   | 9  | 10 |    |    | SALEABLE |          | N/A                                  | N/A                    |
| KEY A, BLACK, WITH CLIPSLOT, W/O CPA      | 33472-1405           | A-BLK-CLIP  | GC          | PLR |     | M        | R         |  |   |   |   |   |   | 8 | 9 | 10 | 11 | 12 |    | SALEABLE |          | N/A                                  | N/A                    |
| KEY A, BLACK, WITH CLIPSLOT, W/O CPA      | 33472-1406           | A-BLK-CLIP  | GC          | PLR |     | M        | R         |  |   |   |   |   |   | 8 | 9 |    | 11 |    |    | SALEABLE |          | N/A                                  | N/A                    |
| KEY C, DARK GRAY, WITH CLIPSLOT, W/O CPA  | 33472-1407           | C-DG-CLIP   | GC          | PLR |     | M        | R         |  |   |   |   |   |   |   |   |    |    |    |    | SALEABLE |          | N/A                                  | N/A                    |
| KEY D, STONE GRAY, WITH CLIPSLOT, W/O CPA | 33472-1408           | D-SG-CLIP   | GC          | PLR |     | M        | R         |  |   |   |   |   |   |   |   |    |    |    |    | SALEABLE |          | N/A                                  | N/A                    |
| KEY C, DARK GRAY, WITH CLIPSLOT, W/CPA    | 33472-1409           | C-DG-CLIP   | GC          | PLR | CPA | M        | R         |  |   |   |   |   |   |   |   |    |    |    |    | SALEABLE |          | N/A                                  | N/A                    |
| KEY D, STONE GRAY, WITH CLIPSLOT, W/CPA   | 33472-1410           | D-SG-CLIP   | GC          | PLR | CPA | M        | R         |  |   |   |   |   |   |   |   |    |    |    |    | SALEABLE |          | N/A                                  | N/A                    |
| KEY C, DARK GRAY, WITH CLIPSLOT, W/O CPA  | 33472-1411           | C-DG-CLIP   | GC          | PLR |     | M        | R         | 1  | 2 | 3 | 4 | 5 | 6 | 7 | 8 | 9  | 10 | 11 | 12 | SALEABLE |          | N/A                                  | N/A                    |
| KEY D, STONE GRAY, WITH CLIPSLOT, W/O CPA | 33472-1412           | D-SG-CLIP   | GC          | PLR |     | M        | R         | 1  | 2 | 3 | 4 | 5 | 6 | 7 | 8 | 9  | 10 | 11 | 12 | SALEABLE |          | N/A                                  | N/A                    |
| KEY C, DARK GRAY, WITH CLIPSLOT, W/CPA    | 33472-1413           | C-DG-CLIP   | GC          | PLR | CPA | M        | R         | 1  |   |   |   |   |   |   |   |    |    |    |    |          |          |                                      |                        |

MX150 RECEPTACLE 2X6 SEALED ASSEMBLY MAT SEAL  
BOM AND PIN OUT SHEET

| ASSEMBLY DESCRIPTION                      | ASSEMBLY PART NUMBER | COMPONENT   |             |     |     |          |           | BLOCKED TERMINALS  |   |   |   |   |   |   |   |   |    |    |    | STATUS          | COMMENTS           | OPTIONAL ATTACHMENTS SOLD SEPERATELY |                        |            |            |
|---|----------------------|---|-------------|-----|-----|----------|-----------|--|---|---|---|---|---|---|---|---|----|----|----|-----------------|--------------------|--------------------------------------|------------------------|------------|------------|
|   |                      | THE PRESENCE OF AN ABBREVIATION INDICATES THE PRESENCE OF THAT COMPONENT. |             |     |     |          |           | CAVITY WITH A NUMBER INDICATES BLOCKED TERMINAL POSITION<br>CAVITY WITHOUT A NUMBER INDICATES OPEN TERMINAL POSITION |   |   |   |   |   |   |   |   |    |    |    |                 |                    | BACKSHELL WITH RIBS                  | BACKSHELL WITHOUT RIBS |            |            |
|   |                      | HOUSING KEY/COLOR   | GROMMET CAP | PLR | CPA | MAT SEAL | RING SEAL | 1  | 2 | 3 | 4 | 5 | 6 | 7 | 8 | 9 | 10 | 11 | 12 |                 |                    |                                      |                        |            |            |
| KEY A, BLACK, WITH CLIPSLOT, W/O CPA      | 33472-1420           | A-BLK-CLIP  | GC          | PLR |     | M        | R         |  |   | 3 | 4 | 5 | 6 | 7 | 8 | 9 | 10 | 11 | 12 | SALEABLE        |                    | N/A                                  | N/A                    |            |            |
| KEY A, BLACK, WITH CLIPSLOT, W/O CPA      | 33472-1421           | A-BLK-CLIP  | GC          | PLR |     | M        | R         |  |   |   |   |   |   |   |   |   |    |    |    | SALEABLE        |                    | N/A                                  | N/A                    |            |            |
| KEY A, BLACK, WITH CLIPSLOT, W/O CPA      | 33472-1422           | A-BLK-CLIP  | GC          | PLR |     | M        | R         |  |   | 3 | 4 | 5 | 6 | 7 | 8 |   |    |    |    | SALEABLE        |                    | N/A                                  | N/A                    |            |            |
| KEY A, BLACK, WITH CLIPSLOT, W/O CPA      | 33472-1423           | A-BLK-CLIP  | GC          | PLR |     | M        | R         |  |   | 3 | 4 | 5 | 6 | 7 | 8 | 9 |    |    |    | SALEABLE        |                    | N/A                                  | N/A                    |            |            |
| KEY A, BLACK, WITH CLIPSLOT, W/O CPA      | 33472-1424           | A-BLK-CLIP  | GC          | PLR |     | M        | R         |  |   | 3 | 4 | 5 | 6 | 7 | 8 |   | 10 | 11 | 12 | SALEABLE        |                    | N/A                                  | N/A                    |            |            |
| KEY A, BLACK, WITH CLIPSLOT, W/O CPA      | 33472-1425           | A-BLK-CLIP  | GC          | PLR |     | M        | R         |  |   |   | 4 |   |   |   |   |   | 10 |    |    | SALEABLE        |                    | N/A                                  | N/A                    |            |            |
| KEY A, BLACK, WITH CLIPSLOT, W/O CPA      | 33472-1426           | A-BLK-CLIP  | GC          | PLR |     | M        | R         |  |   | 1 |   |   |   |   | 8 |   | 10 | 11 |    | SALEABLE        |                    | N/A                                  | N/A                    |            |            |
| KEY C, BROWN, WITH CLIPSLOT, W/O CPA      | 33472-1427           | C-BR-CLIP   | GC          | PLR |     | M        | R         |  |   | 1 | 2 |   | 5 | 6 |   |   |    |    |    | NOT RECOMMENDED | SEE P/N 33472-1433 | N/A                                  | N/A                    |            |            |
| KEY C, BROWN, WITH CLIPSLOT, W/O CPA      | 33472-1428           | C-BR-CLIP   | GC          | PLR |     | M        | R         |  |   |   | 3 | 4 |   |   |   |   |    |    |    | NOT RECOMMENDED | SEE P/N 33472-1434 | N/A                                  | N/A                    |            |            |
| KEY C, BROWN, WITH CLIPSLOT, W/O CPA      | 33472-1429           | C-BR-CLIP   | GC          | PLR |     | M        | R         |  |   | 1 | 2 | 3 | 4 |   |   |   |    |    |    | NOT RECOMMENDED | SEE P/N 33472-1435 | N/A                                  | N/A                    |            |            |
| KEY C, BROWN, WITH CLIPSLOT, W/O CPA      | 33472-1430           | C-BR-CLIP   | GC          | PLR |     | M        | R         |  |   | 1 | 2 | 3 | 4 | 5 | 6 |   |    |    |    | NOT RECOMMENDED | SEE P/N 33472-1436 | N/A                                  | N/A                    |            |            |
| KEY A, BLACK, WITH CLIPSLOT, W/CPA        | 33472-1431           | A-BLK-CLIP  | GC          | PLR | CPA | M        | R         |  |   |   |   |   |   | 7 | 8 |   |    |    |    | SALEABLE        |                    | N/A                                  | N/A                    |            |            |
| KEY A, BLACK, WITH CLIPSLOT, W/O CPA      | 33472-1432           | A-BLK-CLIP  | GC          | PLR |     | M        | R         |  |   |   | 3 | 4 | 5 | 6 |   | 9 | 10 | 11 |    | SALEABLE        |                    | N/A                                  | N/A                    |            |            |
| KEY C, DARK GRAY, WITH CLIPSLOT, W/O CPA  | 33472-1433           | C-DG-CLIP   | GC          | PLR |     | M        | R         |  |   | 1 | 2 |   |   | 5 | 6 |   |    |    |    | SALEABLE        |                    | N/A                                  | N/A                    |            |            |
| KEY C, DARK GRAY, WITH CLIPSLOT, W/O CPA  | 33472-1434           | C-DG-CLIP   | GC          | PLR |     | M        | R         |  |   |   | 3 | 4 |   |   |   |   |    |    |    | SALEABLE        |                    | N/A                                  | N/A                    |            |            |
| KEY C, DARK GRAY, WITH CLIPSLOT, W/O CPA  | 33472-1435           | C-DG-CLIP   | GC          | PLR |     | M        | R         |  |   | 1 | 2 | 3 | 4 |   |   |   |    |    |    | SALEABLE        |                    | N/A                                  | N/A                    |            |            |
| KEY C, DARK GRAY, WITH CLIPSLOT, W/O CPA  | 33472-1436           | C-DG-CLIP   | GC          | PLR |     | M        | R         |  |   | 1 | 2 | 3 | 4 | 5 | 6 |   |    |    |    | SALEABLE        |                    | N/A                                  | N/A                    |            |            |
| KEY A, BLACK, WITH CLIPSLOT, W/O CPA      | 33472-1437           | A-BLK-CLIP  | GC          | PLR |     | M        | R         |  |   |   |   |   |   |   | 8 | 9 | 10 |    | 12 | SALEABLE        |                    | N/A                                  | N/A                    |            |            |
| KEY A, BLACK, WITH CLIPSLOT, W/O CPA      | 33472-1438           | A-BLK-CLIP  | GC          | PLR |     | M        | R         |  |   | 1 | 2 |   | 4 |   | 7 | 8 |    | 10 | 12 | SALEABLE        |                    | N/A                                  | N/A                    |            |            |
| KEY A, BLACK, WITH CLIPSLOT, W/O CPA      | 33472-1439           | A-BLK-CLIP  | GC          | PLR |     | M        | R         |  |   |   | 2 | 3 |   | 5 |   |   |    | 11 |    | SALEABLE        |                    | N/A                                  | N/A                    |            |            |
| KEY A, BLACK, WITH CLIPSLOT, W/O CPA      | 33472-1440           | A-BLK-CLIP  | GC          | PLR |     | M        | R         |  |   | 1 | 2 | 3 |   |   |   | 9 |    | 11 |    | SALEABLE        |                    | N/A                                  | N/A                    |            |            |
| KEY A, BLACK, WITH CLIPSLOT, W/O CPA      | 33472-1441           | A-BLK-CLIP  | GC          | PLR |     | M        | R         |  |   | 1 | 2 | 3 |   | 5 |   |   |    |    |    | SALEABLE        |                    | N/A                                  | N/A                    |            |            |
| KEY A, BLACK, WITH CLIPSLOT, W/O CPA      | 33472-1442           | A-BLK-CLIP  | GC          | PLR |     | M        | R         |  |   | 1 | 2 | 3 | 4 | 5 |   | 7 | 8  |    |    | SALEABLE        |                    | N/A                                  | N/A                    |            |            |
| KEY A, BLACK, WITH CLIPSLOT, W/O CPA      | 33472-1443           | A-BLK-CLIP  | GC          | PLR |     | M        | R         |  |   |   |   |   | 5 |   | 8 |   |    |    |    | SALEABLE        |                    | N/A                                  | N/A                    |            |            |
| KEY A, BLACK, WITH CLIPSLOT, W/O CPA      | 33472-1444           | A-BLK-CLIP  | GC          | PLR |     | M        | R         |  |   |   | 2 |   | 5 |   | 9 |   |    |    |    | SALEABLE        |                    | N/A                                  | N/A                    |            |            |
| KEY A, BLACK, WITH CLIPSLOT, W/O CPA      | 33472-1445           | A-BLK-CLIP  | GC          | PLR |     | M        | R         |  |   |   | 2 |   | 5 |   | 7 |   | 9  |    | 12 | SALEABLE        |                    | N/A                                  | N/A                    |            |            |
| KEY A, BLACK, WITH CLIPSLOT, W/O CPA      | 33472-1446           | A-BLK-CLIP  | GC          | PLR |     | M        | R         |  |   |   | 2 |   |   |   |   | 9 |    |    |    | SALEABLE        |                    | N/A                                  | N/A                    |            |            |
| KEY A, BLACK, WITH CLIPSLOT, W/O CPA      | 33472-1447           | A-BLK-CLIP  | GC          | PLR |     | M        | R         |  |   | 1 | 2 | 3 | 4 |   | 6 |   |    | 11 | 12 | SALEABLE        |                    | N/A                                  | N/A                    |            |            |
| KEY B, LIGHT GRAY, WITH CLIPSLOT, W/O CPA | 33472-1448           | B-LG-CLIP   | GC          | PLR |     | M        | R         |  |   | 1 | 2 | 3 | 4 | 5 |   |   | 8  | 9  | 10 | 11              | 12                 | SALEABLE                             |                        | N/A        | N/A        |
| KEY B, LIGHT GRAY, WITH CLIPSLOT, W/O CPA | 33472-1449           | B-LG-CLIP   | GC          | PLR |     | M        | R         |  |   |   |   |   | 5 |   |   | 8 |    |    |    | SALEABLE        |                    | N/A                                  | N/A                    |            |            |
| KEY B, LIGHT GRAY, WITH CLIPSLOT, W/O CPA | 33472-1450           | B-LG-CLIP   | GC          | PLR |     | M        | R         |  |   |   |   |   | 5 |   |   | 8 | 9  | 10 | 11 | 12              | SALEABLE           |                                      | N/A                    | N/A        |            |
| KEY B, LIGHT GRAY, WITH CLIPSLOT, W/O CPA | 33472-1451           | B-LG-CLIP   | GC          | PLR |     | M        | R         |  |   |   |   |   | 5 |   |   | 8 |    |    | 11 | 12              | SALEABLE           |                                      | N/A                    | N/A        |            |
| KEY A, BLACK, WITH CLIPSLOT, W/CPA        | 33472-1452           | A-BLK-CLIP  | GC          | PLR | CPA | M        | R         |  |   |   |   |   |   |   |   |   |    | 11 | 12 | SALEABLE        |                    | N/A                                  | N/A                    |            |            |
| KEY A, BLACK, WITH CLIPSLOT, W/O CPA      | 33472-1453           | A-BLK-CLIP  | GC          | PLR |     | M        | R         |  |   |   | 2 |   |   |   | 8 |   |    |    |    | SALEABLE        |                    | N/A                                  | N/A                    |            |            |
| KEY A, BLACK, WITH CLIPSLOT, W/O CPA      | 33472-1454           | A-BLK-CLIP  | GC          | PLR |     | M        | R         |  |   |   | 2 |   |   | 4 |   |   | 8  |    |    | SALEABLE        |                    | N/A                                  | N/A                    |            |            |
| KEY A, BLACK, WITH CLIPSLOT, W/O CPA      | 33472-1455           | A-BLK-CLIP  | GC          | PLR |     | M        | R         |  |   | 1 | 2 | 3 | 4 | 5 | 6 |   | 8  | 9  | 10 | 11              | 12                 | SALEABLE                             |                        | N/A        | N/A        |
| KEY A, BLACK, WITH CLIPSLOT, W/O CPA      | 33472-1456           | A-BLK-CLIP  | GC          | PLR |     | M        | R         |  |   |   | 2 |   |   |   |   |   |    |    |    | SALEABLE        |                    | N/A                                  | N/A                    |            |            |
| KEY A, BLACK, WITH CLIPSLOT, W/O CPA      | 33472-1457           | A-BLK-CLIP  | GC          | PLR |     | M        | R         |  |   | 1 | 2 | 3 | 4 | 5 | 6 |   | 8  | 9  | 10 | 11              | 12                 | SALEABLE                             |                        | N/A        | N/A        |
| KEY A, BLACK, WITH CLIPSLOT, W/O CPA      | 33472-1458           | A-BLK-CLIP  | GC          | PLR |     | M        | R         |  |   |   |   | 3 |   | 5 | 6 |   | 8  | 9  | 10 | 11              | 12                 | SALEABLE                             |                        | N/A        | N/A        |
| KEY A, BLACK, WITH CLIPSLOT, W/O CPA      | 33472-1459           | A-BLK-CLIP  | GC          | PLR |     | M        | R         |  |   |   |   | 4 | 5 | 6 | 7 | 8 | 9  | 10 | 11 | 12              | SALEABLE           |                                      | N/A                    | N/A        |            |
| KEY A, BLACK, WITH CLIPSLOT, W/O CPA      | 33472-1460           | A-BLK-CLIP  | GC          | PLR |     | M        | R         |  |   |   |   | 4 | 5 | 6 | 7 | 8 | 9  | 10 | 11 | 12              | SALEABLE           |                                      | N/A                    | N/A        |            |
| KEY A, BLACK, WITH CLIPSLOT, W/O CPA      | 33472-1461           | A-BLK-CLIP  | GC          | PLR |     | M        | R         |  |   | 1 | 2 | 3 | 4 | 5 | 6 |   | 8  | 9  | 10 | 11              | 12                 | SALEABLE                             |                        | N/A        | N/A        |
| KEY A, BLACK, W/O CPA                     | 33472-1462           | A-BLK   | GC          | PLR |     | M        | R         |  |   |   |   | 4 |   |   |   | 9 | 10 | 11 | 12 | SALEABLE        |                    | 34951-1210                           | 34951-1220             |            |            |
| KEY A, BLACK, W/O CPA                     | 33472-1463           | A-BLK   | GC          | PLR |     | M        | R         |  |   |   |   |   |   |   |   |   |    |    |    | SALEABLE        |                    | 34951-1210                           | 34951-1220             |            |            |
| KEY A, BLACK, W/O CPA                     | 33472-1464           | A-BLK   | GC          | PLR |     | M        | R         |  |   | 1 | 2 | 3 | 4 | 5 | 6 | 7 | 8  | 9  | 10 |                 | SALEABLE           |                                      | 34951-1210             | 34951-1220 |            |
| KEY A, BLACK, W/CPA                       | 33472-1465           | A-BLK   | GC          | PLR | CPA | M        | R         |  |   |   |   |   | 5 |   |   | 9 |    |    | 11 | 12              | SALEABLE           |                                      | 34951-1210             | 34951-1220 |            |
| KEY A, BLACK, W/CPA                       | 33472-1466           | A-BLK   | GC          | PLR | CPA | M        | R         |  |   | 1 | 2 | 3 |   |   |   |   |    |    |    | SALEABLE        |                    | 34951-1210                           | 34951-1220             |            |            |
| KEY A, BLACK, W/CPA                       | 33472-1467           | A-BLK   | GC          | PLR | CPA | M        | R         |  |   | 1 | 2 |   |   |   | 6 | 7 |    |    | 11 | 12              | SALEABLE           |                                      | 34951-1210             | 34951-1220 |            |
| KEY A, BLACK, W/CPA                       | 33472-1468           | A-BLK   | GC          | PLR | CPA | M        | R         |  |   |   |   |   |   | 6 | 7 | 8 | 9  | 10 | 11 | 12              | SALEABLE           |                                      | 34951-1210             | 34951-1220 |            |
| KEY A, BLACK, WITH CLIPSLOT, W/O CPA      | 33472-1469           | A-BLK-CLIP  | GC          | PLR |     | M        | R         |  |   |   |   |   | 5 | 6 | 7 | 8 | 9  | 10 |    | SALEABLE        |                    | N/A                                  | N/A                    |            |            |
| KEY A, BLACK, WITH CLIPSLOT, W/O CPA      | 33472-1470           | A-BLK-CLIP  | GC          | PLR |     | M        | R         |  |   | 1 | 2 |   | 4 | 5 | 6 | 7 |    |    |    | SALEABLE        |                    | N/A                                  | N/A                    |            |            |
| KEY B, LIGHT GRAY, W/CPA                  | 33472-1471           | B-LG  | GC          | PLR | CPA | M        | R         |  |   |   |   |   | 5 |   |   |   |    |    |    | SALEABLE        |                    | 34951-1210                           | 34951-1220             |            |            |
| KEY A, BLACK, WITH CLIPSLOT, W/O CPA      | 33472-1472           | A-BLK-CLIP  | GC          | PLR |     | M        | R         |  |   |   |   |   |   | 7 | 8 |   |    |    | 11 | SALEABLE        |                    | N/A                                  | N/A                    |            |            |
| KEY A, BLACK, WITH CLIPSLOT, W/O CPA      | 33472-1473           | A-BLK-CLIP  | GC          | PLR |     | M        | R         |  |   | 1 | 2 | 3 | 4 | 5 | 6 | 7 | 8  | 9  | 10 | 11              | SALEABLE           |                                      | N/A                    | N/A        |            |
| KEY A, BLACK, WITH CLIPSLOT, W/O CPA      | 33472-1474           | A-BLK-CLIP  | GC          | PLR |     | M        | R         |  |   |   |   |   | 5 | 6 | 7 | 8 | 9  | 10 |    | SALEABLE        |                    | N/A                                  | N/A                    |            |            |
| KEY A, BLACK, W/CPA                       | 33472-1475           | A-BLK   | GC          | PLR | CPA | M        | R         |  |   |   | 2 | 3 | 4 | 5 |   | 9 |    |    |    | SALEABLE        |                    | 34951-1210                           | 34951-1220             |            |            |
| KEY A, BLACK, W/CPA                       | 33472-1476           | A-BLK   | GC          | PLR | CPA | M        | R         |  |   |   | 2 | 3 | 4 |   |   | 9 | 10 | 11 |    | SALEABLE        |                    | 34951-1210                           | 34951-1220             |            |            |
| KEY A, BLACK, WITH CLIPSLOT, W/O CPA      | 33472-1477           | A-BLK-CLIP  | GC          | PLR |     | M        | R         |  |   |   |   |   |   | 5 |   |   |    |    |    | SALEABLE        |                    | N/A                                  | N/A                    |            |            |
| KEY A, BLACK, WITH CLIPSLOT, W/O CPA      | 33472-1478           | A-BLK-CLIP  | GC          | PLR |     | M        | R         |  |   |   |   | 3 | 4 |   | 6 |   |    |    |    | SALEABLE        |                    | N/A                                  | N/A                    |            |            |
| KEY A, BLACK, WITH CLIPSLOT, W/O CPA      | 33472-1479           | A-BLK-CLIP  | GC          | PLR |     | M        | R         |  |   |   |   |   |   |   | 6 |   |    |    |    | SALEABLE        |                    | N/A                                  | N/A                    |            |            |
| KEY A, BLACK, WITH CLIPSLOT, W/O CPA      | 33472-1480           | A-BLK-CLIP  | GC          | PLR |     | M        | R         |  |   | 1 | 2 |   | 4 | 5 | 6 | 7 | 8  | 9  | 10 | 11              | 12                 | SALEABLE                             |                        | N/A        | N/A        |
| KEY A, BLACK, WITH CLIPSLOT, W/O CPA      | 33472-1481           | A-BLK-CLIP  | GC          | PLR |     | M        | R         |  |   |   |   |   |   | 5 |   | 8 | 9  |    |    | SALEABLE        |                    | N/A                                  | N/A                    |            |            |
| KEY A, BLACK, WITH CLIPSLOT, W/O CPA      | 33472-1482           | A-BLK-CLIP  | GC          | PLR |     | M        | R         |  |   |   |   |   |   | 5 |   | 7 | 8  | 9  |    | SALEABLE        |                    | N/A                                  | N/A                    |            |            |
| KEY A, BLACK, W/CPA                       | 33472-1483           | A-BLK   | GC          | PLR | CPA | M        | R         |  |   |   |   | 4 |   |   |   |   |    |    |    | SALEABLE        |                    | 34951-1210                           | 34951-1220             |            |            |
| KEY A, BLACK, W/O CPA                     | 33472-1484           | A-BLK   | GC          | PLR |     | M        | R         |  |   |   |   |   |   |   | 7 | 8 | 9  | 10 | 11 | 12              | SALEABLE           |                                      | 34951-1210             | 34951-1220 |            |
| KEY A, BLACK, W/O CPA                     | 33472-1485           | A-BLK   | GC          | PLR |     | M        | R         |  |   |   |   |   | 4 | 5 |   | 9 | 10 | 11 | 12 | SALEABLE        |                    | 34951-1210                           | 34951-1220             |            |            |
| KEY A, BLACK, W/CPA                       | 33472-1486           | A-BLK   | GC          | PLR | CPA | M        | R         |  |   | 1 |   | 3 |   | 5 |   | 8 |    |    |    | SALEABLE        |                    | 34951-1210                           | 34951-1220             |            |            |
| KEY A, BLACK, W/CPA                       | 33472-1487           | A-BLK   | GC          | PLR | CPA | M        | R         |  |   |   | 2 |   | 4 |   | 6 | 7 | 8  | 9  | 10 | 11              | 12                 | SALEABLE                             |                        | 34951-1210 | 34951-1220 |
| KEY A, BLACK, WITH CLIPSLOT, W/O CPA      | 33472-1488           | A-BLK-CLIP  | GC          | PLR |     | M        | R         |  |   |   |   |   |   |   | 6 | 7 | 8  | 9  | 10 | 11              | 12                 | SALEABLE                             |                        | N/A        | N/A        |
| KEY A, BLACK, WITH CLIPSLOT, W/O CPA      | 33472-1489           | A-BLK-CLIP  | GC          | PLR |     | M        | R         |  |   |   |   | 3 |   |   |   | 7 | 8  | 9  |    | SALEABLE        |                    | N/A                                  | N/A                    |            |            |
| KEY A, BLACK, WITH CLIPSLOT, W/O CPA      | 33472-1490           | A-BLK-CLIP  | GC          | PLR |     | M        | R         |  |   |   |   | 3 |   |   | 6 |   | 9  | 10 | 11 | 12              | SALEABLE           |                                      | N/A                    | N/A        |            |
| KEY A, BLACK, WITH CLIPSLOT, W/O CPA      | 33472-1491           | A-BLK-CLIP  | GC          | PLR |     | M        | R         |  |   |   |   |   |   |   | 6 | 7 | 8  |    | 10 | 11              | 12                 | SALEABLE                             |                        | N/A        | N/A        |
| KEY A, BLACK, WITH CLIPSLOT, W/O CPA      | 33472-1492           | A-BLK-CLIP  | GC          | PLR |     | M        | R         | </   |   |   |   |   |   |   |   |   |    |    |    |                 |                    |                                      |                        |            |            |

MX150 RECEPTACLE 2X6 SEALED ASSEMBLY MAT SEAL  
BOM AND PIN OUT SHEET

| ASSEMBLY DESCRIPTION                      | ASSEMBLY PART NUMBER | COMPONENT   |             |     |     |          |           | BLOCKED TERMINALS  |   |   |   |   |   |   |   |   |    |    |    | STATUS | COMMENTS | OPTIONAL ATTACHMENTS SOLD SEPERATELY |                        |            |            |
|---|----------------------|---|-------------|-----|-----|----------|-----------|--|---|---|---|---|---|---|---|---|----|----|----|--------|----------|--------------------------------------|------------------------|------------|------------|
|   |                      | THE PRESENCE OF AN ABBREVIATION INDICATES THE PRESENCE OF THAT COMPONENT. |             |     |     |          |           | CAVITY WITH A NUMBER INDICATES BLOCKED TERMINAL POSITION<br>CAVITY WITHOUT A NUMBER INDICATES OPEN TERMINAL POSITION |   |   |   |   |   |   |   |   |    |    |    |        |          | BACKSHELL WITH RIBS                  | BACKSHELL WITHOUT RIBS |            |            |
|   |                      | HOUSING KEY/COLOR   | GROMMET CAP | PLR | CPA | MAT SEAL | RING SEAL | 1  | 2 | 3 | 4 | 5 | 6 | 7 | 8 | 9 | 10 | 11 | 12 |        |          |                                      |                        |            |            |
| KEY A, BLACK, WITH CLIPSLOT, W/O CPA      | 33472-1503           | A-BLK-CLIP  | GC          | PLR |     | M        | R         |  |   |   |   | 4 | 5 |   |   | 8 |    | 10 |    |        | SALEABLE |                                      | N/A                    | N/A        |            |
| KEY A, BLACK, WITH CLIPSLOT, W/O CPA      | 33472-1504           | A-BLK-CLIP  | GC          | PLR |     | M        | R         | 1  | 2 |   |   | 3 | 4 |   |   | 6 |    | 10 |    | 11     | 12       | SALEABLE                             |                        | N/A        | N/A        |
| KEY A, BLACK, WITH CLIPSLOT, W/O CPA      | 33472-1505           | A-BLK-CLIP  | GC          | PLR |     | M        | R         |  |   |   |   | 3 | 4 |   |   |   |    |    |    | 11     | 12       | SALEABLE                             |                        | N/A        | N/A        |
| KEY B, LIGHT GRAY, WITH CLIPSLOT, W/O CPA | 33472-1506           | B-LG-CLIP   | GC          | PLR |     | M        | R         | 1  |   |   |   |   |   |   | 7 |   |    |    |    | 11     |          | SALEABLE                             |                        | N/A        | N/A        |
| KEY B, LIGHT GRAY, WITH CLIPSLOT, W/O CPA | 33472-1507           | B-LG-CLIP   | GC          | PLR |     | M        | R         |  |   |   |   |   |   | 7 |   |   |    |    |    | 11     |          | SALEABLE                             |                        | N/A        | N/A        |
| KEY A, BLACK, WITH CLIPSLOT, W/O CPA      | 33472-1508           | A-BLK-CLIP  | GC          | PLR |     | M        | R         | 1  |   |   |   |   |   |   | 6 | 7 | 8  | 9  |    |        |          | SALEABLE                             |                        | N/A        | N/A        |
| KEY A, BLACK, WITH CLIPSLOT, W/O CPA      | 33472-1509           | A-BLK-CLIP  | GC          | PLR |     | M        | R         |  |   |   |   | 4 |   |   | 6 |   | 8  |    |    |        |          | SALEABLE                             |                        | N/A        | N/A        |
| KEY A, BLACK, WITH CLIPSLOT, W/O CPA      | 33472-1510           | A-BLK-CLIP  | GC          | PLR |     | M        | R         |  | 2 |   |   | 4 |   |   |   | 8 | 9  | 10 |    |        |          | SALEABLE                             |                        | N/A        | N/A        |
| KEY A, BLACK, WITH CLIPSLOT, W/O CPA      | 33472-1511           | A-BLK-CLIP  | GC          | PLR |     | M        | R         |  |   |   |   |   |   |   |   | 9 | 10 |    |    |        |          | SALEABLE                             |                        | N/A        | N/A        |
| KEY A, BLACK, WITH CLIPSLOT, W/O CPA      | 33472-1512           | A-BLK-CLIP  | GC          | PLR |     | M        | R         |  |   | 2 |   | 3 | 4 |   |   | 8 | 9  |    |    | 11     |          | SALEABLE                             |                        | N/A        | N/A        |
| KEY A, BLACK, WITH CLIPSLOT, W/O CPA      | 33472-1513           | A-BLK-CLIP  | GC          | PLR |     | M        | R         |  |   |   |   |   |   | 5 |   |   |    | 10 | 11 |        |          | SALEABLE                             |                        | N/A        | N/A        |
| KEY A, BLACK, WITH CLIPSLOT, W/O CPA      | 33472-1514           | A-BLK-CLIP  | GC          | PLR |     | M        | R         |  |   |   |   | 4 | 5 |   | 7 |   |    |    | 11 | 12     |          | SALEABLE                             |                        | N/A        | N/A        |
| KEY A, BLACK, WITH CLIPSLOT, W/O CPA      | 33472-1515           | A-BLK-CLIP  | GC          | PLR |     | M        | R         | 1  | 2 |   |   | 3 | 4 |   |   | 7 | 8  | 9  | 10 | 11     |          | SALEABLE                             |                        | N/A        | N/A        |
| KEY A, BLACK, WITH CLIPSLOT, W/O CPA      | 33472-1516           | A-BLK-CLIP  | GC          | PLR |     | M        | R         |  |   |   |   | 4 |   |   | 6 |   | 8  |    | 10 | 11     |          | SALEABLE                             |                        | N/A        | N/A        |
| KEY A, BLACK, WITH CLIPSLOT, W/O CPA      | 33472-1517           | A-BLK-CLIP  | GC          | PLR |     | M        | R         | 1  | 2 | 3 |   | 4 | 5 | 6 |   | 8 | 9  |    |    |        |          | SALEABLE                             |                        | N/A        | N/A        |
| KEY A, BLACK, WITH CLIPSLOT, W/O CPA      | 33472-1518           | A-BLK-CLIP  | GC          | PLR |     | M        | R         |  | 2 |   |   | 4 |   |   | 6 |   | 8  |    |    |        |          | SALEABLE                             |                        | N/A        | N/A        |
| KEY A, BLACK, WITH CLIPSLOT, W/O CPA      | 33472-1519           | A-BLK-CLIP  | GC          | PLR |     | M        | R         | 1  |   |   |   | 3 | 4 |   |   |   |    |    | 11 | 12     |          | SALEABLE                             |                        | N/A        | N/A        |
| KEY A, BLACK, WITH CLIPSLOT, W/O CPA      | 33472-1520           | A-BLK-CLIP  | GC          | PLR |     | M        | R         | 1  |   |   |   | 3 | 4 |   |   |   |    |    | 11 |        |          | SALEABLE                             |                        | N/A        | N/A        |
| KEY A, BLACK, WITH CLIPSLOT, W/O CPA      | 33472-1521           | A-BLK-CLIP  | GC          | PLR |     | M        | R         |  |   | 2 |   |   |   |   |   | 8 | 9  | 10 | 11 | 12     |          | SALEABLE                             |                        | N/A        | N/A        |
| KEY A, BLACK, WITH CLIPSLOT, W/O CPA      | 33472-1522           | A-BLK-CLIP  | GC          | PLR |     | M        | R         |  |   |   |   |   |   |   | 7 | 8 | 9  | 10 |    |        |          | SALEABLE                             |                        | N/A        | N/A        |
| KEY A, BLACK, WITH CLIPSLOT, W/O CPA      | 33472-1523           | A-BLK-CLIP  | GC          | PLR |     | M        | R         |  |   |   |   |   |   |   | 7 | 8 | 9  | 10 |    | 12     |          | SALEABLE                             |                        | N/A        | N/A        |
| KEY A, BLACK, W/O CPA                     | 33472-1524           | A-BLK   | GC          | PLR |     | M        | R         |  | 2 | 3 |   |   | 5 | 6 | 7 |   | 9  | 10 | 11 | 12     |          | SALEABLE                             | 34951-1210             | 34951-1220 |            |
| KEY A, BLACK, W/O CPA                     | 33472-1525           | A-BLK   | GC          | PLR |     | M        | R         | 1  | 2 | 3 |   | 4 |   |   | 8 | 9 |    |    |    |        |          | SALEABLE                             | 34951-1210             | 34951-1220 |            |
| KEY A, BLACK, W/O CPA                     | 33472-1526           | A-BLK   | GC          | PLR |     | M        | R         |  |   | 2 | 3 |   |   |   |   | 9 |    |    |    |        |          | SALEABLE                             | 34951-1210             | 34951-1220 |            |
| KEY A, BLACK, W/O CPA                     | 33472-1527           | A-BLK   | GC          | PLR |     | M        | R         |  |   |   |   |   |   |   | 8 |   | 10 | 11 |    |        |          | SALEABLE                             | 34951-1210             | 34951-1220 |            |
| KEY A, BLACK, WITH CLIPSLOT, W/O CPA      | 33472-1528           | A-BLK-CLIP  | GC          | PLR |     | M        | R         | 1  |   |   | 3 |   | 5 |   |   |   |    | 11 |    |        |          | SALEABLE                             | N/A                    | N/A        |            |
| KEY A, BLACK, W/O CPA                     | 33472-1529           | A-BLK   | GC          | PLR |     | M        | R         | 1  |   |   | 3 |   | 5 |   |   |   |    | 10 | 11 |        |          | SALEABLE                             | 34951-1210             | 34951-1220 |            |
| KEY A, BLACK, WITH CLIPSLOT, W/O CPA      | 33472-1530           | A-BLK-CLIP  | GC          | PLR |     | M        | R         |  | 2 |   |   |   |   |   | 7 | 8 |    |    |    |        |          | SALEABLE                             | N/A                    | N/A        |            |
| KEY A, BLACK, WITH CLIPSLOT, W/O CPA      | 33472-1531           | A-BLK-CLIP  | GC          | PLR |     | M        | R         | 1  |   |   |   | 4 |   |   |   | 7 |    |    | 11 |        |          | SALEABLE                             | N/A                    | N/A        |            |
| KEY A, BLACK, WITH CLIPSLOT, W/O CPA      | 33472-1532           | A-BLK-CLIP  | GC          | PLR |     | M        | R         |  |   | 2 | 3 |   | 4 | 5 | 6 | 7 |    | 9  | 10 | 11     | 12       | SALEABLE                             | N/A                    | N/A        |            |
| KEY A, BLACK, WITH CLIPSLOT, W/O CPA      | 33472-1533           | A-BLK-CLIP  | GC          | PLR |     | M        | R         | 1  | 2 | 3 |   | 4 |   |   |   | 8 | 9  |    |    |        |          | SALEABLE                             | N/A                    | N/A        |            |
| KEY A, BLACK, WITH CLIPSLOT, W/O CPA      | 33472-1534           | A-BLK-CLIP  | GC          | PLR |     | M        | R         |  |   | 2 | 3 |   |   |   |   | 9 |    |    |    |        |          | SALEABLE                             | N/A                    | N/A        |            |
| KEY A, BLACK, WITH CLIPSLOT, W/O CPA      | 33472-1535           | A-BLK-CLIP  | GC          | PLR |     | M        | R         |  |   |   |   |   |   |   |   | 8 |    | 10 | 11 |        |          | SALEABLE                             | N/A                    | N/A        |            |
| KEY A, BLACK, WITH CLIPSLOT, W/O CPA      | 33472-1536           | A-BLK-CLIP  | GC          | PLR |     | M        | R         | 1  |   |   | 3 |   |   | 5 |   |   | 8  |    | 10 | 11     |          | SALEABLE                             | N/A                    | N/A        |            |
| KEY A, BLACK, W/O CPA                     | 33472-1537           | A-BLK   | GC          | PLR |     | M        | R         | 1  |   |   |   |   |   |   | 6 | 7 | 8  | 9  | 10 |        |          | SALEABLE                             | 34951-1210             | 34951-1220 |            |
| KEY A, BLACK, WITH CLIPSLOT, W/O CPA      | 33472-1538           | A-BLK-CLIP  | GC          | PLR |     | M        | R         |  |   |   |   |   |   |   | 7 |   | 9  | 10 |    |        |          | SALEABLE                             | N/A                    | N/A        |            |
| KEY B, LIGHT GRAY, W/O CPA                | 33472-1539           | B-LG  | GC          | PLR |     | M        | R         |  |   |   |   |   |   |   | 7 | 8 | 9  |    |    | 12     |          | SALEABLE                             | 34951-1210             | 34951-1220 |            |
| KEY A, BLACK, WITH CLIPSLOT, W/O CPA      | 33472-1540           | A-BLK-CLIP  | GC          | PLR |     | M        | R         | 1  |   |   |   |   |   |   | 6 | 7 | 8  | 9  | 10 |        |          | SALEABLE                             | N/A                    | N/A        |            |
| KEY A, BLACK, WITH CLIPSLOT, W/O CPA      | 33472-1541           | A-BLK-CLIP  | GC          | PLR |     | M        | R         | 1  |   |   |   | 4 |   |   | 6 | 7 | 8  | 9  | 10 | 11     |          | SALEABLE                             | N/A                    | N/A        |            |
| KEY A, BLACK, WITH CLIPSLOT, W/O CPA      | 33472-1542           | A-BLK-CLIP  | GC          | PLR |     | M        | R         | 1  | 2 | 3 |   |   | 5 | 6 | 7 | 8 | 9  | 10 |    | 12     |          | SALEABLE                             | N/A                    | N/A        |            |
| KEY A, BLACK, WITH CLIPSLOT, W/O CPA      | 33472-1543           | A-BLK-CLIP  | GC          | PLR |     | M        | R         |  |   | 2 |   | 4 |   |   | 6 | 7 | 8  | 9  | 10 | 11     | 12       | SALEABLE                             | N/A                    | N/A        |            |
| KEY A, BLACK, WITH CLIPSLOT, W/O CPA      | 33472-1544           | A-BLK-CLIP  | GC          | PLR |     | M        | R         |  |   |   | 3 | 4 |   |   |   |   | 9  | 10 | 11 | 12     |          | SALEABLE                             | N/A                    | N/A        |            |
| KEY A, BLACK, WITH CLIPSLOT, W/O CPA      | 33472-1545           | A-BLK-CLIP  | GC          | PLR |     | M        | R         |  |   |   | 3 | 4 |   |   |   |   |    |    | 11 | 12     |          | SALEABLE                             | N/A                    | N/A        |            |
| KEY A, BLACK, WITH CLIPSLOT, W/O CPA      | 33472-1546           | A-BLK-CLIP  | GC          | PLR |     | M        | R         | 1  | 2 |   |   |   |   | 5 | 6 | 7 | 8  | 9  | 10 |        |          | SALEABLE                             | N/A                    | N/A        |            |
| KEY A, BLACK, WITH CLIPSLOT, W/O CPA      | 33472-1547           | A-BLK-CLIP  | GC          | PLR |     | M        | R         |  |   |   |   |   |   |   |   |   | 9  | 10 |    |        |          | SALEABLE                             | N/A                    | N/A        |            |
| KEY A, BLACK, W/CPA                       | 33472-1548           | A-BLK   | GC          | PLR | CPA | M        | R         |  |   |   |   |   |   | 5 |   |   |    |    |    |        |          | SALEABLE                             | 34951-1210             | 34951-1220 |            |
| KEY A, BLACK, W/CPA                       | 33472-1549           | A-BLK   | GC          | PLR | CPA | M        | R         |  |   |   |   |   |   |   | 6 |   |    |    |    |        |          | SALEABLE                             | 34951-1210             | 34951-1220 |            |
| KEY A, BLACK, WITH CLIPSLOT, W/O CPA      | 33472-1550           | A-BLK-CLIP  | GC          | PLR |     | M        | R         |  |   |   |   |   |   |   |   |   |    | 10 | 11 | 12     |          | SALEABLE                             | N/A                    | N/A        |            |
| KEY A, BLACK, WITH CLIPSLOT, W/O CPA      | 33472-1551           | A-BLK-CLIP  | GC          | PLR |     | M        | R         |  |   |   |   |   |   |   |   |   | 9  |    |    |        |          | SALEABLE                             | N/A                    | N/A        |            |
| KEY A, BLACK, WITH CLIPSLOT, W/O CPA      | 33472-1552           | A-BLK-CLIP  | GC          | PLR |     | M        | R         |  |   | 2 |   |   |   |   |   | 8 | 9  | 10 | 11 | 12     |          | SALEABLE                             | N/A                    | N/A        |            |
| KEY A, BLACK, WITH CLIPSLOT, W/O CPA      | 33472-1553           | A-BLK-CLIP  | GC          | PLR |     | M        | R         |  |   | 2 |   |   |   |   |   | 8 | 9  |    |    |        |          | SALEABLE                             | N/A                    | N/A        |            |
| KEY A, BLACK, W/O CPA                     | 33472-1554           | A-BLK   | GC          | PLR |     | M        | R         |  |   |   |   |   |   |   |   | 7 | 8  | 9  | 10 | 11     | 12       | SALEABLE                             | SEE P/N 33472-1484     | 34951-1210 | 34951-1220 |
| KEY A, BLACK, W/CPA                       | 33472-1555           | A-BLK   | GC          | PLR | CPA | M        | R         |  |   |   |   |   |   |   | 7 | 8 | 9  | 10 | 11 | 12     |          | SALEABLE                             | 34951-1210             | 34951-1220 |            |
| KEY A, BLACK, WITH CLIPSLOT, W/O CPA      | 33472-1556           | A-BLK-CLIP  | GC          | PLR |     | M        | R         |  |   |   |   |   | 5 |   |   |   |    | 10 | 11 |        |          | SALEABLE                             | N/A                    | N/A        |            |
| KEY A, BLACK, WITH CLIPSLOT, W/O CPA      | 33472-1557           | A-BLK-CLIP  | GC          | PLR |     | M        | R         | 1  |   |   |   | 4 | 5 |   |   | 8 |    | 10 |    | 12     |          | SALEABLE                             | N/A                    | N/A        |            |
| KEY A, BLACK, WITH CLIPSLOT, W/O CPA      | 33472-1558           | A-BLK-CLIP  | GC          | PLR |     | M        | R         | 1  | 2 | 3 |   | 4 |   |   |   |   | 9  | 10 | 11 | 12     |          | SALEABLE                             | N/A                    | N/A        |            |
| KEY A, BLACK, WITH CLIPSLOT, W/CPA        | 33472-1559           | A-BLK-CLIP  | GC          | PLR | CPA | M        | R         | 1  | 2 | 3 |   | 4 | 5 | 6 | 7 | 8 |    |    |    |        |          | SALEABLE                             | N/A                    | N/A        |            |
| KEY A, BLACK, WITH CLIPSLOT, W/O CPA      | 33472-1560           | A-BLK-CLIP  | GC          | PLR |     | M        | R         |  |   | 2 |   |   |   |   |   |   |    | 10 | 11 | 12     |          | SALEABLE                             | N/A                    | N/A        |            |
| KEY A, BLACK, WITH CLIPSLOT, W/O CPA      | 33472-1561           | A-BLK-CLIP  | GC          | PLR |     | M        | R         |  |   |   |   |   |   |   |   |   |    | 10 |    |        |          | SALEABLE                             | N/A                    | N/A        |            |
| KEY A, BLACK, W/O CPA                     | 33472-1562           | A-BLK   | GC          | PLR |     | M        | R         | 1  |   |   |   |   |   | 5 | 6 | 7 | 8  |    |    |        | 12       | SALEABLE                             | 34951-1210             | 34951-1220 |            |
| KEY A, BLACK, W/O CPA                     | 33472-1563           | A-BLK   | GC          | PLR |     | M        | R         | 1  | 2 | 3 |   |   |   | 5 | 6 | 7 | 8  |    | 10 | 11     | 12       | SALEABLE                             | 34951-1210             | 34951-1220 |            |
| KEY A, BLACK, WITH CLIPSLOT, W/O CPA      | 33472-1564           | A-BLK-CLIP  | GC          | PLR |     | M        | R         |  |   |   |   |   |   |   |   | 7 | 8  | 9  |    |        |          | SALEABLE                             | N/A                    | N/A        |            |
| KEY B, LIGHT GRAY, WITH CLIPSLOT, W/O CPA | 33472-1565           | B-LG-CLIP   | GC          | PLR |     | M        | R         |  |   |   |   |   |   | 5 |   |   | 8  | 9  | 10 |        |          | SALEABLE                             | N/A                    | N/A        |            |
| KEY B, LIGHT GRAY, WITH CLIPSLOT, W/O CPA | 33472-1566           | B-LG-CLIP   | GC          | PLR |     | M        | R         |  |   |   |   |   |   |   |   |   | 8  |    |    |        |          | SALEABLE                             | N/A                    | N/A        |            |
| KEY A, BLACK, WITH CLIPSLOT, W/O CPA      | 33472-1567           | A-BLK-CLIP  | GC          | PLR |     | M        | R         |  |   |   |   | 4 | 5 |   |   | 7 | 8  | 9  | 10 | 11     | 12       | SALEABLE                             | N/A                    | N/A        |            |
| KEY A, BLACK, W/CPA                       | 33472-1568           | A-BLK   | GC          | PLR | CPA | M        | R         |  |   |   |   |   |   |   |   |   | 8  |    |    |        |          | SALEABLE                             | 34951-1210             | 34951-1220 |            |
| KEY A, BLACK, W/CPA                       | 33472-1569           | A-BLK   | GC          | PLR | CPA | M        | R         | 1  | 2 | 3 |   | 4 |   |   | 6 |   | 8  | 9  | 10 | 11     | 12       | SALEABLE                             | 34951-1210             | 34951-1220 |            |
| KEY A, BLACK, W/CPA                       | 33472-1570           | A-BLK   | GC          | PLR | CPA | M        | R         | 1  | 2 | 3 |   |   |   |   | 6 |   | 8  |    |    | 11     | 12       | SALEABLE                             | 34951-1210             | 34951-1220 |            |
| KEY A, BLACK, WITH CLIPSLOT, W/O CPA      | 33472-1571           | A-BLK-CLIP  | GC          | PLR |     | M        | R         |  |   |   |   | 4 | 5 |   |   | 7 | 8  |    | 10 | 11     | 12       | SALEABLE                             | N/A                    | N/A        |            |
| KEY A, BLACK, W/O CPA                     | 33472-1572           | A-BLK   | GC          | PLR |     | M        | R         |  |   | 2 |   | 3 |   | 5 | 6 | 7 | 8  |    | 10 | 11     | 12       | SALEABLE                             | 34951-1210             | 34951-1220 |            |
| KEY A, BLACK, W/O CPA                     | 33472-1573           | A-BLK   | GC          | PLR |     | M        | R         | 1  |   |   |   | 4 |   |   |   |   | 9  | 10 | 11 | 12     |          | SALEABLE                             | 34951-1210             | 34951-1220 |            |
| KEY A, BLACK, W/O CPA                     |                      |   |             |     |     |          |           |  |   |   |   |   |   |   |   |   |    |    |    |        |          |                                      |                        |            |            |

MX150 RECEPTACLE 2X6 SEALED ASSEMBLY MAT SEAL  
BOM AND PIN OUT SHEET

| ASSEMBLY DESCRIPTION                      | ASSEMBLY PART NUMBER | COMPONENT   |             |     |     |          |           | BLOCKED TERMINALS  |   |   |   |   |   |   |   |   |    |    |    | STATUS | COMMENTS | OPTIONAL ATTACHMENTS SOLD SEPERATELY |                        |            |            |            |
|---|----------------------|---|-------------|-----|-----|----------|-----------|--|---|---|---|---|---|---|---|---|----|----|----|--------|----------|--------------------------------------|------------------------|------------|------------|------------|
|   |                      | THE PRESENCE OF AN ABBREVIATION INDICATES THE PRESENCE OF THAT COMPONENT. |             |     |     |          |           | CAVITY WITH A NUMBER INDICATES BLOCKED TERMINAL POSITION<br>CAVITY WITHOUT A NUMBER INDICATES OPEN TERMINAL POSITION |   |   |   |   |   |   |   |   |    |    |    |        |          | BACKSHELL WITH RIBS                  | BACKSHELL WITHOUT RIBS |            |            |            |
|   |                      | HOUSING KEY/COLOR   | GROMMET CAP | PLR | CPA | MAT SEAL | RING SEAL | 1  | 2 | 3 | 4 | 5 | 6 | 7 | 8 | 9 | 10 | 11 | 12 |        |          |                                      |                        |            |            |            |
| KEY A, BLACK, WITH CLIPSLOT, W/O CPA      | 33472-1584           | A-BLK-CLIP  | GC          | PLR |     | M        | R         | 1  | 2 |   |   |   |   | 5 |   | 7 | 8  | 9  | 10 | 11     | 12       | SALEABLE                             |                        | N/A        | N/A        |            |
| KEY A, BLACK, WITH CLIPSLOT, W/O CPA      | 33472-1585           | A-BLK-CLIP  | GC          | PLR |     | M        | R         |  |   |   |   |   |   | 5 |   | 7 | 8  | 9  |    | 11     | 12       | SALEABLE                             |                        | N/A        | N/A        |            |
| KEY A, BLACK, WITH CLIPSLOT, W/O CPA      | 33472-1586           | A-BLK-CLIP  | GC          | PLR |     | M        | R         | 1  | 2 |   |   |   |   | 5 |   |   |    |    | 10 |        | 12       | SALEABLE                             |                        | N/A        | N/A        |            |
| KEY C, DARK GRAY, WITH CLIPSLOT, W/O CPA  | 33472-1587           | C-DG-CLIP   | GC          | PLR |     | M        | R         | 1  | 2 |   |   |   |   | 5 | 6 | 7 |    |    |    |        |          | SALEABLE                             |                        | N/A        | N/A        |            |
| KEY C, DARK GRAY, WITH CLIPSLOT, W/O CPA  | 33472-1588           | C-DG-CLIP   | GC          | PLR |     | M        | R         | 1  | 2 | 3 | 4 | 5 | 6 | 7 |   |   |    |    |    |        |          | SALEABLE                             |                        | N/A        | N/A        |            |
| KEY A, BLACK, WITH CLIPSLOT, W/O CPA      | 33472-1589           | A-BLK-CLIP  | GC          | PLR |     | M        | R         | 1  | 2 | 3 |   |   |   |   |   | 7 | 8  | 9  | 10 |        |          | SALEABLE                             |                        | N/A        | N/A        |            |
| KEY A, BLACK, WITH CLIPSLOT, W/O CPA      | 33472-1590           | A-BLK-CLIP  | GC          | PLR |     | M        | R         | 1  | 2 | 3 | 4 | 5 | 6 | 7 | 8 |   |    |    | 11 | 12     |          | SALEABLE                             |                        | N/A        | N/A        |            |
| KEY A, BLACK, WITH CLIPSLOT, W/O CPA      | 33472-1591           | A-BLK-CLIP  | GC          | PLR |     | M        | R         |  |   |   | 4 | 5 | 6 | 7 |   |   |    |    | 11 | 12     |          | SALEABLE                             |                        | N/A        | N/A        |            |
| KEY A, BLACK, WITH CLIPSLOT, W/O CPA      | 33472-1592           | A-BLK-CLIP  | GC          | PLR |     | M        | R         |  |   |   |   |   |   | 5 | 6 |   |    | 9  | 10 | 11     |          | SALEABLE                             |                        | N/A        | N/A        |            |
| KEY A, BLACK, WITH CLIPSLOT, W/O CPA      | 33472-1593           | A-BLK-CLIP  | GC          | PLR |     | M        | R         |  |   |   |   |   |   | 5 | 6 |   |    |    |    |        |          | SALEABLE                             |                        | N/A        | N/A        |            |
| KEY B, LIGHT GRAY, W/CPA                  | 33472-1594           | B-LG  | GC          | PLR | CPA | M        | R         | 1  |   |   |   |   |   |   | 6 |   |    |    | 10 |        | 12       | SALEABLE                             |                        | N/A        | N/A        |            |
| KEY A, BLACK, WITH CLIPSLOT, W/O CPA      | 33472-1595           | A-BLK-CLIP  | GC          | PLR |     | M        | R         |  |   |   |   |   |   |   |   | 7 |    | 9  |    |        | 12       | SALEABLE                             |                        | N/A        | N/A        |            |
| KEY A, BLACK, WITH CLIPSLOT, W/O CPA      | 33472-1596           | A-BLK-CLIP  | GC          | PLR |     | M        | R         |  |   |   |   |   |   | 5 |   |   |    | 9  | 10 | 11     |          | SALEABLE                             |                        | N/A        | N/A        |            |
| KEY A, BLACK, WITH CLIPSLOT, W/O CPA      | 33472-1597           | A-BLK-CLIP  | GC          | PLR |     | M        | R         |  |   |   |   |   |   | 5 |   | 7 |    | 9  | 10 | 11     | 12       | SALEABLE                             |                        | N/A        | N/A        |            |
| KEY A, BLACK, WITH CLIPSLOT, W/O CPA      | 33472-1598           | A-BLK-CLIP  | GC          | PLR |     | M        | R         | 1  | 2 | 3 | 4 | 5 | 6 | 7 | 8 | 9 |    |    |    |        | 12       | SALEABLE                             |                        | N/A        | N/A        |            |
| KEY A, BLACK, WITH CLIPSLOT, W/O CPA      | 33472-1599           | A-BLK-CLIP  | GC          | PLR |     | M        | R         | 1  | 2 | 3 | 4 | 5 | 6 | 7 | 8 | 9 | 10 | 11 |    |        |          | SALEABLE                             |                        | N/A        | N/A        |            |
| KEY A, BLACK, WITH CLIPSLOT, W/O CPA      | 33472-6001           | A-BLK-CLIP  | GC          | PLR |     | M        | R         | 1  | 2 | 3 |   |   |   |   |   | 7 | 8  |    |    |        |          | SALEABLE                             |                        | N/A        | N/A        |            |
| KEY A, BLACK, WITH CLIPSLOT, W/O CPA      | 33472-6002           | A-BLK-CLIP  | GC          | PLR |     | M        | R         |  |   |   |   |   |   |   | 7 | 8 | 9  | 10 | 11 | 12     |          | SALEABLE                             |                        | N/A        | N/A        |            |
| KEY A, BLACK, WITH CLIPSLOT, W/O CPA      | 33472-6003           | A-BLK-CLIP  | GC          | PLR |     | M        | R         |  |   |   | 4 | 5 |   |   |   | 9 | 10 | 11 | 12 |        |          | SALEABLE                             |                        | N/A        | N/A        |            |
| KEY A, BLACK, WITH CLIPSLOT, W/O CPA      | 33472-6004           | A-BLK-CLIP  | GC          | PLR |     | M        | R         |  | 2 |   |   |   |   | 5 |   |   | 8  | 9  | 10 | 11     |          | SALEABLE                             |                        | N/A        | N/A        |            |
| KEY A, BLACK, WITH CLIPSLOT, W/O CPA      | 33472-6005           | A-BLK-CLIP  | GC          | PLR |     | M        | R         | 1  | 2 | 3 | 4 | 5 | 6 | 7 | 8 | 9 | 10 |    |    |        |          | SALEABLE                             |                        | N/A        | N/A        |            |
| KEY B, LIGHT GRAY, WITH CLIPSLOT, W/O CPA | 33472-6006           | B-LG-CLIP   | GC          | PLR |     | M        | R         |  |   |   |   |   |   |   | 7 | 8 | 9  |    |    |        | 12       | SALEABLE                             |                        | N/A        | N/A        |            |
| KEY A, BLACK, WITH CLIPSLOT, W/O CPA      | 33472-6007           | A-BLK-CLIP  | GC          | PLR |     | M        | R         |  |   |   |   |   |   |   |   | 7 |    |    |    | 11     | 12       | SALEABLE                             |                        | N/A        | N/A        |            |
| KEY A, BLACK, WITH CLIPSLOT, W/O CPA      | 33472-6008           | A-BLK-CLIP  | GC          | PLR |     | M        | R         | 1  |   | 3 | 4 | 5 | 6 | 7 | 8 | 9 | 10 | 11 |    |        |          | SALEABLE                             |                        | N/A        | N/A        |            |
| KEY A, BLACK, WITH CLIPSLOT, W/O CPA      | 33472-6009           | A-BLK-CLIP  | GC          | PLR |     | M        | R         | 1  |   | 3 |   |   |   | 5 | 6 | 7 | 8  | 9  | 10 |        |          | SALEABLE                             |                        | N/A        | N/A        |            |
| KEY A, BLACK, WITH CLIPSLOT, W/O CPA      | 33472-6010           | A-BLK-CLIP  | GC          | PLR |     | M        | R         | 1  | 2 | 3 | 4 |   |   |   |   |   |    |    |    | 11     | 12       | SALEABLE                             |                        | N/A        | N/A        |            |
| KEY B, LIGHT GRAY, WITH CLIPSLOT, W/O CPA | 33472-6011           | B-LG-CLIP   | GC          | PLR |     | M        | R         | 1  |   |   |   |   |   |   |   |   |    |    |    |        | 11       | SALEABLE                             |                        | N/A        | N/A        |            |
| KEY B, LIGHT GRAY, WITH CLIPSLOT, W/O CPA | 33472-6012           | B-LG-CLIP   | GC          | PLR |     | M        | R         |  |   |   |   |   |   |   |   |   |    |    |    |        | 11       | SALEABLE                             |                        | N/A        | N/A        |            |
| KEY A, BLACK, W/CPA                       | 33472-6013           | A-BLK   | GC          | PLR | CPA | M        | R         |  |   |   |   |   |   |   | 6 |   | 8  | 9  | 10 | 11     | 12       | SALEABLE                             |                        | 34951-1210 | 34951-1220 |            |
| KEY B, LIGHT GRAY, W/CPA                  | 33472-6014           | B-LG  | GC          | PLR | CPA | M        | R         |  |   |   |   |   |   |   | 6 |   | 8  | 9  | 10 | 11     | 12       | SALEABLE                             |                        | 34951-1210 | 34951-1220 |            |
| KEY A, BLACK, WITH CLIPSLOT, W/O CPA      | 33472-6015           | A-BLK-CLIP  | GC          | PLR |     | M        | R         | 1  | 2 | 3 | 4 |   |   |   |   | 8 | 9  | 10 | 11 | 12     |          | SALEABLE                             |                        | N/A        | N/A        |            |
| KEY A, BLACK, WITH CLIPSLOT, W/CPA        | 33472-6016           | A-BLK-CLIP  | GC          | PLR | CPA | M        | R         |  |   | 2 | 3 |   |   |   |   | 7 |    | 9  | 10 | 11     | 12       | SALEABLE                             |                        | N/A        | N/A        |            |
| KEY A, BLACK, WITH CLIPSLOT, W/CPA        | 33472-6017           | A-BLK-CLIP  | GC          | PLR | CPA | M        | R         |  |   | 2 | 3 |   |   |   |   |   |    |    |    |        |          | SALEABLE                             |                        | N/A        | N/A        |            |
| KEY A, BLACK, WITH CLIPSLOT, W/CPA        | 33472-6018           | A-BLK-CLIP  | GC          | PLR | CPA | M        | R         |  |   | 2 |   |   |   |   |   | 7 |    | 9  | 10 | 11     | 12       | SALEABLE                             |                        | N/A        | N/A        |            |
| KEY A, BLACK, WITH CLIPSLOT, W/CPA        | 33472-6019           | A-BLK-CLIP  | GC          | PLR | CPA | M        | R         |  |   | 2 |   |   |   |   |   |   |    |    |    |        |          | SALEABLE                             |                        | N/A        | N/A        |            |
| KEY A, BLACK, W/CPA                       | 33472-6020           | A-BLK   | GC          | PLR | CPA | M        | R         |  |   |   | 4 | 5 | 6 | 7 | 8 | 9 | 10 | 11 |    |        |          | SALEABLE                             |                        | 34951-1210 | 34951-1220 |            |
| KEY A, BLACK, W/O CPA                     | 33472-6021           | A-BLK   | GC          | PLR |     | M        | R         |  |   |   |   |   |   |   | 7 | 8 | 9  | 10 | 11 |        |          | SALEABLE                             |                        | 34951-1210 | 34951-1220 |            |
| KEY A, BLACK, W/O CPA                     | 33472-6022           | A-BLK   | GC          | PLR |     | M        | R         |  |   |   |   |   |   |   | 7 | 8 |    |    |    |        |          | SALEABLE                             |                        | 34951-1210 | 34951-1220 |            |
| KEY A, BLACK, W/O CPA                     | 33472-6023           | A-BLK   | GC          | PLR |     | M        | R         |  |   | 2 |   |   |   |   |   |   | 9  | 10 |    |        |          | SALEABLE                             |                        | 34951-1210 | 34951-1220 |            |
| KEY A, BLACK, W/O CPA                     | 33472-6024           | A-BLK   | GC          | PLR |     | M        | R         |  |   | 2 |   | 4 |   |   |   |   |    |    |    |        |          | SALEABLE                             |                        | 34951-1210 | 34951-1220 |            |
| KEY A, BLACK, W/O CPA                     | 33472-6025           | A-BLK   | GC          | PLR |     | M        | R         |  |   | 2 | 3 |   |   |   |   |   |    |    |    | 11     |          | SALEABLE                             |                        | 34951-1210 | 34951-1220 |            |
| KEY A, BLACK, W/O CPA                     | 33472-6026           | A-BLK   | GC          | PLR |     | M        | R         |  |   | 2 | 3 |   |   | 5 | 6 | 7 | 8  |    |    | 11     |          | SALEABLE                             |                        | 34951-1210 | 34951-1220 |            |
| KEY A, BLACK, W/O CPA                     | 33472-6027           | A-BLK   | GC          | PLR |     | M        | R         | 1  |   |   |   |   |   | 5 | 6 | 7 | 8  |    |    |        |          | SALEABLE                             |                        | 34951-1210 | 34951-1220 |            |
| KEY A, BLACK, W/O CPA                     | 33472-6028           | A-BLK   | GC          | PLR |     | M        | R         |  |   | 2 | 3 |   |   |   | 6 | 7 | 8  |    |    | 10     | 11       | SALEABLE                             |                        | 34951-1210 | 34951-1220 |            |
| KEY A, BLACK, W/O CPA                     | 33472-6029           | A-BLK   | GC          | PLR |     | M        | R         |  |   |   |   |   |   |   |   |   |    |    |    |        | 11       | SALEABLE                             |                        | 34951-1210 | 34951-1220 |            |
| KEY A, BLACK, W/O CPA                     | 33472-6030           | A-BLK   | GC          | PLR |     | M        | R         |  |   | 2 | 3 | 4 |   |   |   | 7 | 8  |    |    |        |          | SALEABLE                             |                        | 34951-1210 | 34951-1220 |            |
| KEY A, BLACK, W/O CPA                     | 33472-6031           | A-BLK   | GC          | PLR |     | M        | R         | 1  |   |   | 3 | 4 | 5 | 6 | 7 | 8 |    |    |    |        |          | SALEABLE                             |                        | 34951-1210 | 34951-1220 |            |
| KEY A, BLACK, W/O CPA                     | 33472-6032           | A-BLK   | GC          | PLR |     | M        | R         |  |   |   | 4 | 5 | 6 | 7 | 8 | 9 |    |    |    |        |          | SALEABLE                             |                        | 34951-1210 | 34951-1220 |            |
| KEY A, BLACK, W/O CPA                     | 33472-6033           | A-BLK   | GC          | PLR |     | M        | R         |  |   |   |   |   |   |   | 6 | 7 | 8  |    |    |        |          | SALEABLE                             |                        | 34951-1210 | 34951-1220 |            |
| KEY A, BLACK, W/O CPA                     | 33472-6034           | A-BLK   | GC          | PLR |     | M        | R         |  |   | 2 |   |   |   |   |   |   | 8  |    |    | 10     | 11       | SALEABLE                             |                        | 34951-1210 | 34951-1220 |            |
| KEY A, BLACK, W/O CPA                     | 33472-6035           | A-BLK   | GC          | PLR |     | M        | R         |  |   |   | 3 | 4 |   |   |   |   |    | 9  | 10 |        |          | SALEABLE                             |                        | 34951-1210 | 34951-1220 |            |
| KEY A, BLACK, W/O CPA                     | 33472-6036           | A-BLK   | GC          | PLR |     | M        | R         |  |   |   |   |   |   |   |   |   |    |    |    |        |          | SALEABLE                             |                        | 34951-1210 | 34951-1220 |            |
| KEY A, BLACK, W/O CPA                     | 33472-6037           | A-BLK   | GC          | PLR |     | M        | R         |  |   | 2 | 3 | 4 | 5 |   |   |   |    |    |    | 10     | 11       | 12                                   | SALEABLE               |            | 34951-1210 | 34951-1220 |
| KEY A, BLACK, W/O CPA                     | 33472-6038           | A-BLK   | GC          | PLR |     | M        | R         | 1  |   |   |   |   |   |   | 6 | 7 |    | 9  |    |        |          | SALEABLE                             |                        | 34951-1210 | 34951-1220 |            |
| KEY A, BLACK, W/O CPA                     | 33472-6039           | A-BLK   | GC          | PLR |     | M        | R         |  |   | 2 | 3 | 4 | 5 | 6 | 7 | 8 |    |    |    |        |          | SALEABLE                             |                        | 34951-1210 | 34951-1220 |            |
| KEY A, BLACK, W/O CPA                     | 33472-6040           | A-BLK   | GC          | PLR |     | M        | R         |  |   | 2 | 3 |   |   |   |   |   |    |    |    |        | 11       | SALEABLE                             |                        | 34951-1210 | 34951-1220 |            |
| KEY A, BLACK, W/O CPA                     | 33472-6041           | A-BLK   | GC          | PLR |     | M        | R         | 1  | 2 | 3 | 4 | 5 |   |   |   |   |    | 9  | 10 | 11     | 12       | SALEABLE                             |                        | 34951-1210 | 34951-1220 |            |
| KEY A, BLACK, W/O CPA                     | 33472-6042           | A-BLK   | GC          | PLR |     | M        | R         |  |   | 2 | 3 |   |   |   |   |   |    | 9  | 10 | 11     |          | SALEABLE                             |                        | 34951-1210 | 34951-1220 |            |
| KEY A, BLACK, W/O CPA                     | 33472-6043           | A-BLK   | GC          | PLR |     | M        | R         | 1  | 2 | 3 | 4 | 5 |   |   |   |   | 8  | 9  | 10 | 11     | 12       | SALEABLE                             |                        | 34951-1210 | 34951-1220 |            |
| KEY A, BLACK, W/O CPA                     | 33472-6044           | A-BLK   | GC          | PLR |     | M        | R         | 1  | 2 | 3 | 4 | 5 |   |   |   |   |    |    |    |        | 12       | SALEABLE                             |                        | 34951-1210 | 34951-1220 |            |
| KEY A, BLACK, W/O CPA                     | 33472-6045           | A-BLK   | GC          | PLR |     | M        | R         |  |   |   | 3 | 4 | 5 |   |   |   |    |    |    |        |          | SALEABLE                             |                        | 34951-1210 | 34951-1220 |            |
| KEY A, BLACK, W/O CPA                     | 33472-6046           | A-BLK   | GC          | PLR |     | M        | R         |  |   |   | 3 | 4 | 5 | 6 | 7 | 8 | 9  | 10 | 11 |        |          | SALEABLE                             |                        | 34951-1210 | 34951-1220 |            |
| KEY A, BLACK, W/O CPA                     | 33472-6047           | A-BLK   | GC          | PLR |     | M        | R         |  |   | 2 | 3 |   |   |   |   | 8 | 9  | 10 | 11 | 12     |          | SALEABLE                             |                        | 34951-1210 | 34951-1220 |            |
| KEY A, BLACK, W/O CPA                     | 33472-6048           | A-BLK   | GC          | PLR |     | M        | R         |  |   | 2 | 3 |   |   |   |   | 8 | 9  |    |    |        |          | SALEABLE                             |                        | 34951-1210 | 34951-1220 |            |
| KEY A, BLACK, W/O CPA                     | 33472-6049           | A-BLK   | GC          | PLR |     | M        | R         | 1  | 2 | 3 |   |   |   |   |   |   |    |    |    | 11     | 12       | SALEABLE                             |                        | 34951-1210 | 34951-1220 |            |
| KEY A, BLACK, W/O CPA                     | 33472-6050           | A-BLK   | GC          | PLR |     | M        | R         | 1  | 2 | 3 | 4 |   |   |   |   | 6 | 8  |    |    | 10     | 11       | 12                                   | SALEABLE               |            | 34951-1210 | 34951-1220 |
| KEY A, BLACK, W/O CPA                     | 33472-6051           | A-BLK   | GC          | PLR |     | M        | R         |  |   | 2 |   |   |   |   | 4 | 6 | 8  |    |    | 10     | 11       | 12                                   | SALEABLE               |            | 34951-1210 | 34951-1220 |
| KEY A, BLACK, W/O CPA                     | 33472-6052           | A-BLK   | GC          | PLR |     | M        | R         |  |   |   |   |   |   |   |   |   |    |    |    | 11     | 12       | SALEABLE                             |                        | 34951-1210 | 34951-1220 |            |
| KEY A, BLACK, W/O CPA                     | 33472-6053           | A-BLK   | GC          | PLR |     | M        | R         | 1  | 2 | 3 | 4 | 5 |   |   |   |   |    |    |    |        |          |                                      |                        |            |            |            |





**MX150 RECEPTACLE 2X6 SEALED ASSEMBLY MAT SEAL  
BOM AND PIN OUT SHEET**

| ASSEMBLY DESCRIPTION  | ASSEMBLY PART NUMBER | COMPONENT   |             |     |     |          |           |   | BLOCKED TERMINALS  |   |   |   |   |   |   |    |      |    |    |    | STATUS | COMMENTS | OPTIONAL ATTACHMENTS SOLD SEPERATELY |                        |  |            |            |
|-----------------------|----------------------|---|-------------|-----|-----|----------|-----------|---|--|---|---|---|---|---|---|----|------|----|----|----|--------|----------|--------------------------------------|------------------------|--|------------|------------|
|                       |                      | THE PRESENCE OF AN ABBREVIATION INDICATES THE PRESENCE OF THAT COMPONENT. |             |     |     |          |           |   | CAVITY WITH A NUMBER INDICATES BLOCKED TERMINAL POSITION<br>CAVITY WITHOUT A NUMBER INDICATES OPEN TERMINAL POSITION |   |   |   |   |   |   |    |      |    |    |    |        |          | BACKSHELL WITH RIBS                  | BACKSHELL WITHOUT RIBS |  |            |            |
|                       |                      | HOUSING KEY/COLOR   | GROMMET CAP | PLR | CPA | MAT SEAL | RING SEAL | 1 | 2  | 3 | 4 | 5 | 6 | 7 | 8 | 9  | 10   | 11 | 12 |    |        |          |                                      |                        |  |            |            |
| KEY A, BLACK, W/O CPA | 33472-6066           | A-BLK   | GC          | PLR |     | M        | R         | 1 | 2  |   |   |   |   | 5 | 6 | 7  | 8    |    |    |    |        |          |                                      | SALEABLE               |  | 34951-1210 | 34951-1220 |
| KEY A, BLACK, W/O CPA | 33472-6067           | A-BLK   | GC          | PLR |     | M        | R         |   |  |   |   | 4 |   |   |   |    | 8    |    |    | 10 |        |          |                                      | SALEABLE               |  | 34951-1210 | 34951-1220 |
| KEY A, BLACK, W/O CPA | 33472-6068           | A-BLK   | GC          | PLR |     | M        | R         | 1 | 2  | 3 | 4 | 5 | 6 |   |   |    | 9    | 10 | 11 | 12 |        |          |                                      | SALEABLE               |  | 34951-1210 | 34951-1220 |
| KEY A, BLACK, W/O CPA | 33472-6069           | A-BLK   | GC          | PLR |     | M        | R         | 1 |  |   | 4 |   |   |   |   |    |      |    | 11 |    |        |          |                                      | SALEABLE               |  | 34951-1210 | 34951-1220 |
| KEY A, BLACK, W/O CPA | 33472-6070           | A-BLK   | GC          | PLR |     | M        | R         |   |  |   |   |   |   |   |   |    | 9    | 10 | 11 | 12 |        |          |                                      | SALEABLE               |  | 34951-1210 | 34951-1220 |
| KEY A, BLACK, W/O CPA | 33472-6071           | A-BLK   | GC          | PLR |     | M        | R         | 1 | 2  | 3 | 4 | 5 | 6 | 7 | 8 |    |      |    |    | 12 |        |          |                                      | SALEABLE               |  | 34951-1210 | 34951-1220 |
| KEY A, BLACK, W/O CPA | 33472-6072           | A-BLK   | GC          | PLR |     | M        | R         | 1 | 2  |   |   |   | 6 | 7 | 8 |    |      |    |    | 12 |        |          |                                      | SALEABLE               |  | 34951-1210 | 34951-1220 |
| KEY A, BLACK, W/O CPA | 33472-6073           | A-BLK   | GC          | PLR |     | M        | R         | 1 | 2  |   |   |   |   | 7 | 8 |    |      |    |    |    |        |          |                                      | SALEABLE               |  | 34951-1210 | 34951-1220 |
| KEY A, BLACK, W/O CPA | 33472-6074           | A-BLK   | GC          | PLR |     | M        | R         | 1 |  |   |   |   | 6 | 7 | 8 |    |      |    |    | 12 |        |          |                                      | SALEABLE               |  | 34951-1210 | 34951-1220 |
| KEY A, BLACK, W/O CPA | 33472-6075           | A-BLK   | GC          | PLR |     | M        | R         |   |  |   |   |   |   | 7 | 8 |    |      |    |    | 12 |        |          |                                      | SALEABLE               |  | 34951-1210 | 34951-1220 |
| KEY A, BLACK, W/O CPA | 33472-6076           | A-BLK   | GC          | PLR |     | M        | R         |   | 2  |   | 4 |   |   |   | 7 | 8  | 9    | 10 |    |    |        |          |                                      | SALEABLE               |  | 34951-1210 | 34951-1220 |
| KEY A, BLACK, W/O CPA | 33472-6077           | A-BLK   | GC          | PLR |     | M        | R         |   |  | 3 |   | 5 | 6 | 7 | 8 | 9  | 10   | 11 | 12 |    |        |          |                                      | SALEABLE               |  | 34951-1210 | 34951-1220 |
| KEY A, BLACK, W/O CPA | 33472-6078           | A-BLK   | GC          | PLR |     | M        | R         |   |  |   | 3 |   |   |   | 7 | 8  | 9    | 10 | 11 | 12 |        |          |                                      | SALEABLE               |  | 34951-1210 | 34951-1220 |
| KEY A, BLACK, W/O CPA | 33472-6079           | A-BLK   | GC          | PLR |     | M        | R         | 1 | 2  | 3 | 4 |   | 6 | 7 | 8 | 9  | 10   |    |    | 12 |        |          |                                      | SALEABLE               |  | 34951-1210 | 34951-1220 |
| KEY A, BLACK, W/O CPA | 33472-6080           | A-BLK   | GC          | PLR |     | M        | R         | 1 | 2  | 3 | 4 |   |   |   | 7 | 8  | 9    | 10 |    |    |        |          |                                      | SALEABLE               |  | 34951-1210 | 34951-1220 |
| KEY A, BLACK, W/O CPA | 33472-6081           | A-BLK   | GC          | PLR |     | M        | R         |   |  |   |   |   | 6 |   | 8 | 9  | 10   | 11 | 12 |    |        |          |                                      | SALEABLE               |  | 34951-1210 | 34951-1220 |
| KEY A, BLACK, W/O CPA | 33472-6082           | A-BLK   | GC          | PLR |     | M        | R         |   |  |   |   |   |   |   | 8 | 9  | 10   | 11 | 12 |    |        |          |                                      | SALEABLE               |  | 34951-1210 | 34951-1220 |
| KEY A, BLACK, W/O CPA | 33472-6083           | A-BLK   | GC          | PLR |     | M        | R         |   |  |   |   |   |   |   | 8 | 9  |      |    | 11 |    |        |          |                                      | SALEABLE               |  | 34951-1210 | 34951-1220 |
| KEY A, BLACK, W/O CPA | 33472-6084           | A-BLK   | GC          | PLR |     | M        | R         | 1 | 2  | 3 |   |   |   |   | 8 |    | 10   | 11 | 12 |    |        |          |                                      | SALEABLE               |  | 34951-1210 | 34951-1220 |
| KEY A, BLACK, W/O CPA | 33472-6085           | A-BLK   | GC          | PLR |     | M        | R         |   |  |   | 3 |   | 5 | 6 |   | 8  | 9    | 10 | 11 | 12 |        |          |                                      | SALEABLE               |  | 34951-1210 | 34951-1220 |
| KEY A, BLACK, W/O CPA | 33472-6086           | A-BLK   | GC          | PLR |     | M        | R         |   | 2  | 3 |   |   |   | 6 | 7 | 8  | 9    | 10 | 11 | 12 |        |          |                                      | SALEABLE               |  | 34951-1210 | 34951-1220 |
| KEY A, BLACK, W/O CPA | 33472-6087           | A-BLK   | GC          | PLR |     | M        | R         |   |  |   | 3 | 4 | 5 | 6 |   | 8  | 9    | 10 | 11 | 12 |        |          |                                      | SALEABLE               |  | 34951-1210 | 34951-1220 |
| KEY A, BLACK, W/O CPA | 33472-6088           | A-BLK   | GC          | PLR |     | M        | R         |   |  |   |   |   |   |   | 8 | 9  |      |    |    |    |        |          |                                      | SALEABLE               |  | 34951-1210 | 34951-1220 |
| KEY A, BLACK, W/O CPA | 33472-6089           | A-BLK   | GC          | PLR |     | M        | R         |   |  |   | 3 | 4 | 5 | 6 | 7 | 8  | 9    | 10 | 11 | 12 |        |          |                                      | SALEABLE               |  | 34951-1210 | 34951-1220 |
| KEY A, BLACK, W/O CPA | 33472-6090           | A-BLK   | GC          | PLR |     | M        | R         | 1 | 2  |   |   |   |   |   |   |    |      |    |    |    |        |          |                                      | SALEABLE               |  | 34951-1210 | 34951-1220 |
| KEY A, BLACK, W/O CPA | 33472-6091           | A-BLK   | GC          | PLR |     | M        | R         | 1 | 2  | 3 | 4 | 5 | 6 | 7 | 8 |    |      |    |    |    |        |          |                                      | SALEABLE               |  | 34951-1210 | 34951-1220 |
| KEY A, BLACK, W/O CPA | 33472-6092           | A-BLK   | GC          | PLR |     | M        | R         | 1 | 2  | 3 | 4 | 5 | 6 | 7 | 8 | 9  |      |    |    |    |        |          |                                      | SALEABLE               |  | 34951-1210 | 34951-1220 |
| KEY A, BLACK, W/O CPA | 33472-6093           | A-BLK   | GC          | PLR |     | M        | R         | 1 | 2  | 3 |   |   | 6 | 7 | 8 |    |      | 10 | 11 | 12 |        |          |                                      | SALEABLE               |  | 34951-1210 | 34951-1220 |
| KEY A, BLACK, W/O CPA | 33472-6094           | A-BLK   | GC          | PLR |     | M        | R         |   |  |   | 4 |   |   |   |   |    |      | 10 |    |    |        |          |                                      | SALEABLE               |  | 34951-1210 | 34951-1220 |
| KEY A, BLACK, W/O CPA | 33472-6095           | A-BLK   | GC          | PLR |     | M        | R         | 1 |  |   |   |   |   |   | 8 |    |      | 10 | 11 |    |        |          |                                      | SALEABLE               |  | 34951-1210 | 34951-1220 |
| KEY A, BLACK, W/O CPA | 33472-6096           | A-BLK   | GC          | PLR |     | M        | R         |   |  |   | 3 | 4 | 5 | 6 |   |    | 9    | 10 | 11 |    |        |          |                                      | SALEABLE               |  | 34951-1210 | 34951-1220 |
| KEY A, BLACK, W/O CPA | 33472-6097           | A-BLK   | GC          | PLR |     | M        | R         |   |  |   |   |   |   |   | 8 | 9  | 10   |    |    | 12 |        |          |                                      | SALEABLE               |  | 34951-1210 | 34951-1220 |
| KEY A, BLACK, W/O CPA | 33472-6098           | A-BLK   | GC          | PLR |     | M        | R         | 1 | 2  |   | 4 |   |   |   | 7 | 8  |      | 10 |    | 12 |        |          |                                      | SALEABLE               |  | 34951-1210 | 34951-1220 |
| KEY A, BLACK, W/O CPA | 33472-6099           | A-BLK   | GC          | PLR |     | M        | R         |   | 2  | 3 |   | 5 |   |   |   |    |      |    | 11 |    |        |          |                                      | SALEABLE               |  | 34951-1210 | 34951-1220 |
| KEY A, BLACK, W/O CPA | 33472-6100           | A-BLK   | GC          | PLR |     | M        | R         | 1 | 2  | 3 |   |   |   |   |   |    | 9    |    | 11 |    |        |          |                                      | SALEABLE               |  | 34951-1210 | 34951-1220 |
| KEY A, BLACK, W/O CPA | 33472-6101           | A-BLK   | GC          | PLR |     | M        | R         | 1 | 2  | 3 |   | 5 |   |   |   |    | 9    |    | 11 |    |        |          |                                      | SALEABLE               |  | 34951-1210 | 34951-1220 |
| KEY A, BLACK, W/O CPA | 33472-6102           | A-BLK   | GC          | PLR |     | M        | R         | 1 | 2  | 3 | 4 | 5 |   | 7 | 8 |    |      |    |    |    |        |          |                                      | SALEABLE               |  | 34951-1210 | 34951-1220 |
| KEY A, BLACK, W/O CPA | 33472-6103           | A-BLK   | GC          | PLR |     | M        | R         |   |  |   |   | 5 |   |   | 8 |    |      |    |    |    |        |          |                                      | SALEABLE               |  | 34951-1210 | 34951-1220 |
| KEY A, BLACK, W/O CPA | 33472-6104           | A-BLK   | GC          | PLR |     | M        | R         |   | 2  |   |   | 5 |   |   |   |    | 9    |    |    |    |        |          |                                      | SALEABLE               |  | 34951-1210 | 34951-1220 |
| KEY A, BLACK, W/O CPA | 33472-6105           | A-BLK   | GC          | PLR |     | M        | R         |   | 2  |   |   | 5 |   | 7 |   |    |      |    |    | 12 |        |          |                                      | SALEABLE               |  | 34951-1210 | 34951-1220 |
| KEY A, BLACK, W/O CPA | 33472-6106           | A-BLK   | GC          | PLR |     | M        | R         |   |  | 2 |   |   |   |   |   |    | 9    |    |    |    |        |          |                                      | SALEABLE               |  | 34951-1210 | 34951-1220 |
| KEY A, BLACK, W/O CPA | 33472-6107           | A-BLK   | GC          | PLR |     | M        | R         | 1 | 2  | 3 | 4 |   | 6 |   |   |    |      |    | 11 | 12 |        |          |                                      | SALEABLE               |  | 34951-1210 | 34951-1220 |
| KEY A, BLACK, W/O CPA | 33472-6108           | A-BLK   | GC          | PLR |     | M        | R         |   | 2  |   |   |   |   |   | 8 |    |      |    |    |    |        |          |                                      | SALEABLE               |  | 34951-1210 | 34951-1220 |
| KEY A, BLACK, W/O CPA | 33472-6109           | A-BLK   | GC          | PLR |     | M        | R         |   | 2  |   | 4 |   |   |   | 8 |    |      |    |    | 10 |        |          |                                      | SALEABLE               |  | 34951-1210 | 34951-1220 |
| KEY A, BLACK, W/O CPA | 33472-6110           | A-BLK   | GC          | PLR |     | M        | R         | 1 | 2  | 3 | 4 | 5 | 6 | 7 | 8 |    |      | 10 | 11 | 12 |        |          |                                      | SALEABLE               |  | 34951-1210 | 34951-1220 |
| KEY A, BLACK, W/O CPA | 33472-6111           | A-BLK   | GC          | PLR |     | M        | R         | 1 |  | 3 |   | 5 | 6 |   | 8 | 9  | 10   | 11 | 12 |    |        |          |                                      | SALEABLE               |  | 34951-1210 | 34951-1220 |
| KEY A, BLACK, W/O CPA | 33472-6112           | A-BLK   | GC          | PLR |     | M        | R         |   |  |   | 4 | 5 | 6 |   | 7 | 8  | 9    | 10 | 11 | 12 |        |          |                                      | SALEABLE               |  | 34951-1210 | 34951-1220 |
| KEY A, BLACK, W/O CPA | 33472-6113           | A-BLK   | GC          | PLR |     | M        | R         |   |  |   | 4 | 4 |   |   | 7 | 8  | 9    | 10 | 11 | 12 |        |          |                                      | SALEABLE               |  | 34951-1210 | 34951-1220 |
| KEY A, BLACK, W/O CPA | 33472-6114           | A-BLK   | GC          | PLR |     | M        | R         | 1 | 2  | 3 | 4 | 5 | 6 |   | 8 | 9  | 10   | 11 | 12 |    |        |          |                                      | SALEABLE               |  | 34951-1210 | 34951-1220 |
| KEY A, BLACK, W/O CPA | 33472-6115           | A-BLK   | GC          | PLR |     | M        | R         | 1 | 2  | 3 | 4 | 5 | 6 | 7 | 8 | 9  | 10   |    |    |    |        |          |                                      | SALEABLE               |  | 34951-1210 | 34951-1220 |
| KEY A, BLACK, W/O CPA | 33472-6116           | A-BLK   | GC          | PLR |     | M        | R         |   |  |   |   | 5 | 6 | 7 |   |    |      |    |    | 12 |        |          |                                      | SALEABLE               |  | 34951-1210 | 34951-1220 |
| KEY A, BLACK, W/O CPA | 33472-6117           | A-BLK   | GC          | PLR |     | M        | R         | 1 | 2  |   | 4 | 5 | 6 | 7 |   |    |      |    |    | 12 |        |          |                                      | SALEABLE               |  | 34951-1210 | 34951-1220 |
| KEY A, BLACK, W/O CPA | 33472-6118           | A-BLK   | GC          | PLR |     | M        | R         |   |  |   |   |   |   | 7 | 8 |    |      |    | 11 |    |        |          |                                      | SALEABLE               |  | 34951-1210 | 34951-1220 |
| KEY A, BLACK, W/O CPA | 33472-6119           | A-BLK   | GC          | PLR |     | M        | R         | 1 | 2  | 3 | 4 |   |   |   | 7 | 8  | 9    | 10 | 11 |    |        |          |                                      | SALEABLE               |  | 34951-1210 | 34951-1220 |
| KEY A, BLACK, W/O CPA | 33472-6120           | A-BLK   | GC          | PLR |     | M        | R         |   |  |   |   | 5 | 6 | 7 |   |    | 9    | 10 |    | 12 |        |          |                                      | SALEABLE               |  | 34951-1210 | 34951-1220 |
| KEY A, BLACK, W/O CPA | 33472-6121           | A-BLK   | GC          | PLR |     | M        | R         | 1 | 2  |   | 4 | 5 | 6 | 7 |   |    | 9    | 10 | 11 | 12 |        |          |                                      | SALEABLE               |  | 34951-1210 | 34951-1220 |
| KEY A, BLACK, W/O CPA | 33472-6122           | A-BLK   | GC          | PLR |     | M        | R         |   |  |   |   | 5 |   |   | 8 | 9  |      |    |    |    |        |          |                                      | SALEABLE               |  | 34951-1210 | 34951-1220 |
| KEY A, BLACK, W/O CPA | 33472-6123           | A-BLK   | GC          | PLR |     | M        | R         |   |  |   |   | 5 |   | 7 | 8 | 9  |      |    |    |    |        |          |                                      | SALEABLE               |  | 34951-1210 | 34951-1220 |
| KEY A, BLACK, W/O CPA | 33472-6124           | A-BLK   | GC          | PLR |     | M        | R         |   |  |   | 4 | 5 |   |   | 9 | 10 | 11   | 12 |    |    |        |          |                                      | SALEABLE               |  | 34951-1210 | 34951-1220 |
| KEY A, BLACK, W/O CPA | 33472-6125           | A-BLK   | GC          | PLR |     | M        | R         |   |  |   |   | 3 |   | 6 | 7 | 8  | 9    | 10 | 11 | 12 |        |          |                                      | SALEABLE               |  | 34951-1210 | 34951-1220 |
| KEY A, BLACK, W/O CPA | 33472-6126           | A-BLK   | GC          | PLR |     | M        | R         |   |  |   | 3 |   |   |   | 7 | 8  | 9    |    |    |    |        |          |                                      | SALEABLE               |  | 34951-1210 | 34951-1220 |
| KEY A, BLACK, W/O CPA | 33472-6127           | A-BLK   | GC          | PLR |     | M        | R         |   |  |   |   |   | 6 |   |   |    | 9    | 10 | 11 | 12 |        |          |                                      | SALEABLE               |  | 34951-1210 | 34951-1220 |
| KEY A, BLACK, W/O CPA | 33472-6128           | A-BLK   | GC          | PLR |     | M        | R         |   |  |   |   |   | 6 | 7 | 8 |    |      | 10 | 11 | 12 |        |          |                                      | SALEABLE               |  | 34951-1210 | 34951-1220 |
| KEY A, BLACK, W/O CPA | 33472-6129           | A-BLK   | GC          | PLR |     | M        | R         |   |  |   |   |   | 6 |   |   |    | 10</ |    |    |    |        |          |                                      |                        |  |            |            |

MX150 RECEPTACLE 2X6 SEALED ASSEMBLY MAT SEAL  
BOM AND PIN OUT SHEET

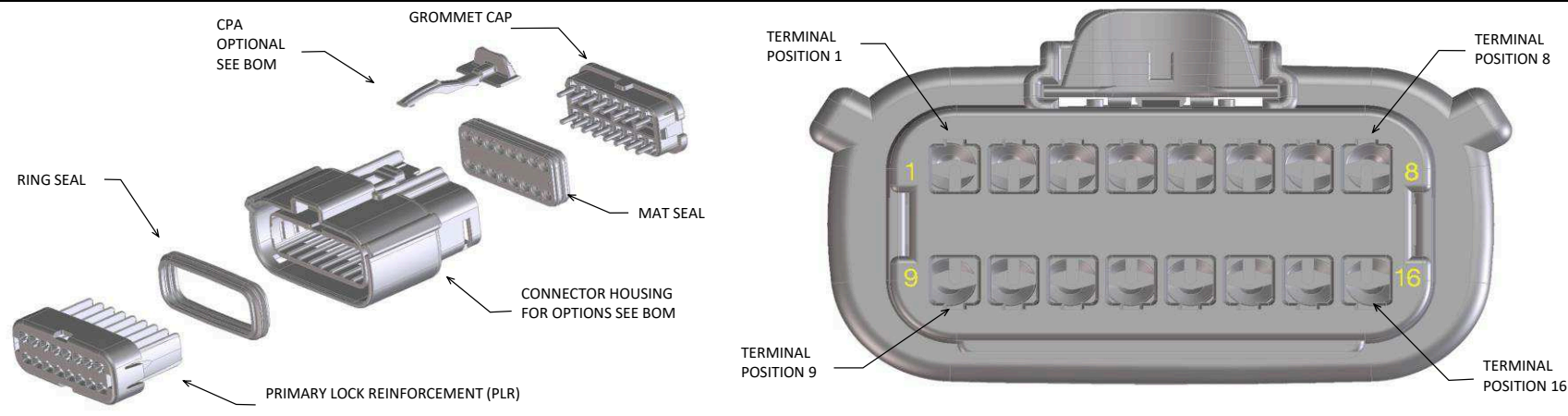
| ASSEMBLY DESCRIPTION                      | ASSEMBLY PART NUMBER | COMPONENT   |             |     |     |          |           |   | BLOCKED TERMINALS  |   |   |   |   |   |   |    |    |    |    |    | STATUS | COMMENTS | OPTIONAL ATTACHMENTS SOLD SEPERATELY |                        |            |            |
|---|----------------------|---|-------------|-----|-----|----------|-----------|---|--|---|---|---|---|---|---|----|----|----|----|----|--------|----------|--------------------------------------|------------------------|------------|------------|
|   |                      | THE PRESENCE OF AN ABBREVIATION INDICATES THE PRESENCE OF THAT COMPONENT. |             |     |     |          |           |   | CAVITY WITH A NUMBER INDICATES BLOCKED TERMINAL POSITION<br>CAVITY WITHOUT A NUMBER INDICATES OPEN TERMINAL POSITION |   |   |   |   |   |   |    |    |    |    |    |        |          | BACKSHELL WITH RIBS                  | BACKSHELL WITHOUT RIBS |            |            |
|   |                      | HOUSING KEY/COLOR   | GROMMET CAP | PLR | CPA | MAT SEAL | RING SEAL | 1 | 2  | 3 | 4 | 5 | 6 | 7 | 8 | 9  | 10 | 11 | 12 |    |        |          |                                      |                        |            |            |
| KEY A, BLACK, W/O CPA                     | 33472-6147           | A-BLK   | GC          | PLR |     | M        | R         |   |  |   |   |   |   | 5 |   |    |    | 10 | 11 |    | 12     | SALEABLE |                                      | 34951-1210             | 34951-1220 |            |
| KEY A, BLACK, W/O CPA                     | 33472-6148           | A-BLK   | GC          | PLR |     | M        | R         |   |  |   |   |   | 4 |   | 7 |    |    |    |    |    |        |          | SALEABLE                             |                        | 34951-1210 | 34951-1220 |
| KEY A, BLACK, W/O CPA                     | 33472-6149           | A-BLK   | GC          | PLR |     | M        | R         | 1 | 2  | 3 | 4 |   |   | 6 | 7 | 8  | 9  | 10 | 11 |    |        | SALEABLE |                                      | 34951-1210             | 34951-1220 |            |
| KEY A, BLACK, W/O CPA                     | 33472-6150           | A-BLK   | GC          | PLR |     | M        | R         |   |  |   | 4 |   |   | 6 |   |    |    | 10 | 11 |    |        | SALEABLE |                                      | 34951-1210             | 34951-1220 |            |
| KEY A, BLACK, W/O CPA                     | 33472-6151           | A-BLK   | GC          | PLR |     | M        | R         | 1 | 2  | 3 | 4 | 5 | 6 | 8 | 9 |    |    |    |    |    |        | SALEABLE |                                      | 34951-1210             | 34951-1220 |            |
| KEY A, BLACK, W/O CPA                     | 33472-6152           | A-BLK   | GC          | PLR |     | M        | R         |   | 2  |   | 4 |   |   | 6 |   |    |    |    |    |    |        | SALEABLE |                                      | 34951-1210             | 34951-1220 |            |
| KEY A, BLACK, W/O CPA                     | 33472-6153           | A-BLK   | GC          | PLR |     | M        | R         | 1 |  |   | 3 | 4 |   |   |   |    |    |    | 11 | 12 |        | SALEABLE |                                      | 34951-1210             | 34951-1220 |            |
| KEY A, BLACK, W/O CPA                     | 33472-6154           | A-BLK   | GC          | PLR |     | M        | R         | 1 |  |   | 3 | 4 |   |   |   |    |    |    |    | 11 |        | SALEABLE |                                      | 34951-1210             | 34951-1220 |            |
| KEY A, BLACK, W/O CPA                     | 33472-6155           | A-BLK   | GC          | PLR |     | M        | R         |   |  |   |   |   |   |   | 7 | 8  | 9  | 10 |    |    |        | SALEABLE |                                      | 34951-1210             | 34951-1220 |            |
| KEY A, BLACK, W/O CPA                     | 33472-6156           | A-BLK   | GC          | PLR |     | M        | R         |   |  |   |   |   |   |   | 7 | 8  | 9  | 10 |    |    | 12     | SALEABLE |                                      | 34951-1210             | 34951-1220 |            |
| KEY A, BLACK, W/O CPA                     | 33472-6157           | A-BLK   | GC          | PLR |     | M        | R         |   | 2  |   |   |   |   |   | 7 | 8  |    |    |    |    |        | SALEABLE |                                      | 34951-1210             | 34951-1220 |            |
| KEY A, BLACK, W/O CPA                     | 33472-6158           | A-BLK   | GC          | PLR |     | M        | R         |   |  | 3 | 4 |   |   |   |   |    |    |    |    | 11 | 12     | SALEABLE |                                      | 34951-1210             | 34951-1220 |            |
| KEY A, BLACK, W/O CPA                     | 33472-6159           | A-BLK   | GC          | PLR |     | M        | R         | 1 |  |   | 4 |   |   |   |   |    |    |    |    | 11 |        | SALEABLE |                                      | 34951-1210             | 34951-1220 |            |
| KEY A, BLACK, W/O CPA                     | 33472-6160           | A-BLK   | GC          | PLR |     | M        | R         |   |  |   |   |   |   |   | 7 |    | 9  | 10 |    |    |        | SALEABLE |                                      | 34951-1210             | 34951-1220 |            |
| KEY A, BLACK, W/O CPA                     | 33472-6161           | A-BLK   | GC          | PLR |     | M        | R         | 1 |  |   |   |   |   | 6 | 7 | 8  | 9  | 10 |    |    |        | SALEABLE |                                      | 34951-1210             | 34951-1220 |            |
| KEY A, BLACK, W/O CPA                     | 33472-6162           | A-BLK   | GC          | PLR |     | M        | R         | 1 |  |   | 4 |   |   | 6 | 7 | 8  | 9  | 10 | 11 |    |        | SALEABLE |                                      | 34951-1210             | 34951-1220 |            |
| KEY A, BLACK, W/O CPA                     | 33472-6163           | A-BLK   | GC          | PLR |     | M        | R         | 1 | 2  | 3 |   |   | 5 | 6 | 7 | 8  | 9  | 10 |    |    | 12     | SALEABLE |                                      | 34951-1210             | 34951-1220 |            |
| KEY A, BLACK, W/O CPA                     | 33472-6164           | A-BLK   | GC          | PLR |     | M        | R         | 1 | 2  |   |   |   | 5 | 6 | 7 | 8  | 9  | 10 |    |    |        | SALEABLE |                                      | 34951-1210             | 34951-1220 |            |
| KEY A, BLACK, W/O CPA                     | 33472-6165           | A-BLK   | GC          | PLR |     | M        | R         |   | 2  | 3 |   |   |   |   | 8 | 9  | 10 | 11 |    |    |        | SALEABLE |                                      | 34951-1210             | 34951-1220 |            |
| KEY A, BLACK, W/O CPA                     | 33472-6166           | A-BLK   | GC          | PLR |     | M        | R         | 1 |  |   | 4 | 5 |   |   | 8 |    |    | 10 |    |    | 12     | SALEABLE |                                      | 34951-1210             | 34951-1220 |            |
| KEY A, BLACK, W/O CPA                     | 33472-6167           | A-BLK   | GC          | PLR |     | M        | R         | 1 | 2  | 3 | 4 |   |   |   | 9 | 10 | 11 | 12 |    |    |        | SALEABLE |                                      | 34951-1210             | 34951-1220 |            |
| KEY A, BLACK, W/O CPA                     | 33472-6168           | A-BLK   | GC          | PLR |     | M        | R         |   | 2  |   |   |   |   |   |   |    |    | 10 | 11 | 12 |        | SALEABLE |                                      | 34951-1210             | 34951-1220 |            |
| KEY A, BLACK, W/O CPA                     | 33472-6169           | A-BLK   | GC          | PLR |     | M        | R         |   |  |   |   |   |   |   |   |    |    | 10 |    |    |        | SALEABLE |                                      | 34951-1210             | 34951-1220 |            |
| KEY A, BLACK, W/O CPA                     | 33472-6170           | A-BLK   | GC          | PLR |     | M        | R         |   |  |   |   |   |   |   | 7 | 8  | 9  |    |    |    | 12     | SALEABLE |                                      | 34951-1210             | 34951-1220 |            |
| KEY A, BLACK, W/O CPA                     | 33472-6171           | A-BLK   | GC          | PLR |     | M        | R         |   |  |   | 4 | 5 |   |   | 7 | 8  | 9  | 10 | 11 | 12 |        | SALEABLE |                                      | 34951-1210             | 34951-1220 |            |
| KEY A, BLACK, W/O CPA                     | 33472-6172           | A-BLK   | GC          | PLR |     | M        | R         |   |  |   | 4 | 5 |   |   | 7 | 8  |    | 10 | 11 | 12 |        | SALEABLE |                                      | 34951-1210             | 34951-1220 |            |
| KEY A, BLACK, W/O CPA                     | 33472-6173           | A-BLK   | GC          | PLR |     | M        | R         |   | 2  |   |   | 5 |   |   | 8 | 9  | 10 | 11 |    |    |        | SALEABLE |                                      | 34951-1210             | 34951-1220 |            |
| KEY A, BLACK, W/O CPA                     | 33472-6174           | A-BLK   | GC          | PLR |     | M        | R         |   |  |   |   | 5 |   |   |   |    |    |    |    |    |        | SALEABLE |                                      | 34951-1210             | 34951-1220 |            |
| KEY A, BLACK, W/O CPA                     | 33472-6175           | A-BLK   | GC          | PLR |     | M        | R         | 1 | 2  |   |   |   | 5 |   | 7 | 8  | 9  | 10 | 11 | 12 |        | SALEABLE |                                      | 34951-1210             | 34951-1220 |            |
| KEY A, BLACK, W/O CPA                     | 33472-6176           | A-BLK   | GC          | PLR |     | M        | R         |   |  |   |   |   | 5 |   | 7 | 8  | 9  |    |    | 11 |        | SALEABLE |                                      | 34951-1210             | 34951-1220 |            |
| KEY A, BLACK, W/O CPA                     | 33472-6177           | A-BLK   | GC          | PLR |     | M        | R         | 1 | 2  |   |   |   | 5 |   |   |    |    | 10 |    |    | 12     | SALEABLE |                                      | 34951-1210             | 34951-1220 |            |
| KEY A, BLACK, W/O CPA                     | 33472-6178           | A-BLK   | GC          | PLR |     | M        | R         |   |  |   |   |   | 5 | 6 |   |    | 9  | 10 | 11 |    |        | SALEABLE |                                      | 34951-1210             | 34951-1220 |            |
| KEY A, BLACK, W/O CPA                     | 33472-6179           | A-BLK   | GC          | PLR |     | M        | R         |   |  |   |   |   | 5 | 6 |   |    |    |    |    |    | 12     | SALEABLE |                                      | 34951-1210             | 34951-1220 |            |
| KEY A, BLACK, W/O CPA                     | 33472-6180           | A-BLK   | GC          | PLR |     | M        | R         |   |  |   |   |   |   |   | 7 |    | 9  |    |    |    |        | SALEABLE |                                      | 34951-1210             | 34951-1220 |            |
| KEY A, BLACK, W/O CPA                     | 33472-6181           | A-BLK   | GC          | PLR |     | M        | R         |   |  |   |   |   | 5 |   |   | 9  | 10 | 11 |    |    |        | SALEABLE |                                      | 34951-1210             | 34951-1220 |            |
| KEY A, BLACK, W/O CPA                     | 33472-6182           | A-BLK   | GC          | PLR |     | M        | R         |   |  |   |   |   | 5 |   | 7 | 9  | 10 | 11 | 12 |    |        | SALEABLE |                                      | 34951-1210             | 34951-1220 |            |
| KEY A, BLACK, W/O CPA                     | 33472-6183           | A-BLK   | GC          | PLR |     | M        | R         | 1 | 2  | 3 | 4 |   |   | 6 | 7 | 8  | 9  |    |    |    | 12     | SALEABLE |                                      | 34951-1210             | 34951-1220 |            |
| KEY A, BLACK, W/O CPA                     | 33472-6184           | A-BLK   | GC          | PLR |     | M        | R         | 1 | 2  | 3 | 4 | 5 | 6 |   | 8 | 9  | 10 | 11 |    |    |        | SALEABLE |                                      | 34951-1210             | 34951-1220 |            |
| KEY A, BLACK, W/O CPA                     | 33472-6185           | A-BLK   | GC          | PLR |     | M        | R         |   |  |   |   |   |   |   | 7 |    |    |    |    | 11 | 12     | SALEABLE |                                      | 34951-1210             | 34951-1220 |            |
| KEY A, BLACK, W/O CPA                     | 33472-6186           | A-BLK   | GC          | PLR |     | M        | R         | 1 |  | 3 | 4 | 5 | 6 | 7 | 8 | 9  | 10 | 11 |    |    |        | SALEABLE |                                      | 34951-1210             | 34951-1220 |            |
| KEY A, BLACK, W/O CPA                     | 33472-6187           | A-BLK   | GC          | PLR |     | M        | R         | 1 |  | 3 |   | 5 | 6 | 7 | 8 | 9  | 10 |    |    |    |        | SALEABLE |                                      | 34951-1210             | 34951-1220 |            |
| KEY A, BLACK, W/O CPA                     | 33472-6188           | A-BLK   | GC          | PLR |     | M        | R         | 1 | 2  | 3 | 4 |   |   |   |   |    |    |    | 11 | 12 |        | SALEABLE |                                      | 34951-1210             | 34951-1220 |            |
| KEY A, BLACK, WITH CLIPSLOT, W/O CPA      | 33472-6189           | A-BLK-CLIP  | GC          | PLR |     | M        | R         |   | 2  |   |   |   |   |   | 7 | 8  | 9  | 10 | 11 | 12 |        | SALEABLE |                                      | N/A                    | N/A        |            |
| KEY A, BLACK, WITH CLIPSLOT, W/O CPA      | 33472-6190           | A-BLK-CLIP  | GC          | PLR |     | M        | R         | 1 | 2  |   |   |   |   |   | 7 | 8  | 9  | 10 | 11 | 12 |        | SALEABLE |                                      | N/A                    | N/A        |            |
| KEY A, BLACK, WITH CLIPSLOT, W/O CPA      | 33472-6191           | A-BLK-CLIP  | GC          | PLR |     | M        | R         |   | 2  |   |   |   |   | 6 | 7 | 8  | 9  | 10 | 11 | 12 |        | SALEABLE |                                      | N/A                    | N/A        |            |
| KEY A, BLACK, WITH CLIPSLOT, W/O CPA      | 33472-6192           | A-BLK-CLIP  | GC          | PLR |     | M        | R         |   | 2  |   |   |   |   | 6 | 7 | 8  |    |    |    |    |        | SALEABLE |                                      | N/A                    | N/A        |            |
| KEY A, BLACK, WITH CLIPSLOT, W/O CPA      | 33472-6193           | A-BLK-CLIP  | GC          | PLR |     | M        | R         |   | 2  | 3 | 4 |   |   | 6 | 7 | 8  |    |    |    |    |        | SALEABLE |                                      | N/A                    | N/A        |            |
| KEY A, BLACK, WITH CLIPSLOT, W/O CPA      | 33472-6194           | A-BLK-CLIP  | GC          | PLR |     | M        | R         |   |  |   |   |   |   | 7 | 8 | 9  |    |    |    |    |        | SALEABLE |                                      | N/A                    | N/A        |            |
| KEY A, BLACK, WITH CLIPSLOT, W/O CPA      | 33472-6195           | A-BLK-CLIP  | GC          | PLR |     | M        | R         |   |  | 3 |   |   |   |   | 9 | 10 | 11 |    |    |    |        | SALEABLE |                                      | N/A                    | N/A        |            |
| KEY A, BLACK, WITH CLIPSLOT, W/O CPA      | 33472-6196           | A-BLK-CLIP  | GC          | PLR |     | M        | R         | 1 | 2  |   | 4 | 5 | 6 | 7 | 8 | 9  |    |    |    |    | 12     | SALEABLE |                                      | N/A                    | N/A        |            |
| KEY A, BLACK, WITH CLIPSLOT, W/O CPA      | 33472-6197           | A-BLK-CLIP  | GC          | PLR |     | M        | R         | 1 | 2  | 3 | 4 | 5 | 6 | 7 | 8 |    |    |    |    | 11 |        | SALEABLE |                                      | N/A                    | N/A        |            |
| KEY A, BLACK, WITH CLIPSLOT, W/O CPA      | 33472-6198           | A-BLK-CLIP  | GC          | PLR |     | M        | R         |   | 2  |   |   | 5 |   |   | 7 |    |    | 10 |    |    |        | SALEABLE |                                      | N/A                    | N/A        |            |
| KEY A, BLACK, WITH CLIPSLOT, W/O CPA      | 33472-6199           | A-BLK-CLIP  | GC          | PLR |     | M        | R         | 1 | 2  | 3 | 4 | 5 | 6 | 7 | 8 | 9  | 10 |    |    |    | 12     | SALEABLE |                                      | N/A                    | N/A        |            |
| KEY B, LIGHT GRAY, WITH CLIPSLOT, W/O CPA | 33472-6200           | B-LG-CLIP   | GC          | PLR |     | M        | R         |   |  | 3 | 4 | 5 |   |   | 8 | 9  | 10 | 11 | 12 |    |        | SALEABLE |                                      | N/A                    | N/A        |            |
| KEY A, BLACK, W/CPA                       | 33472-6201           | A-BLK   | GC          | PLR | CPA | M        | R         | 1 | 2  |   |   |   | 5 | 6 | 7 | 8  |    |    |    | 11 | 12     | SALEABLE |                                      | 34951-1210             | 34951-1220 |            |
| KEY B, LIGHT GRAY, W/CPA                  | 33472-6202           | B-LG  | GC          | PLR | CPA | M        | R         | 1 | 2  |   |   |   | 5 | 6 | 7 | 8  |    |    |    | 11 | 12     | SALEABLE |                                      | 34951-1210             | 34951-1220 |            |
| KEY A, BLACK, WITH CLIPSLOT, W/O CPA      | 33472-6203           | A-BLK-CLIP  | GC          | PLR |     | M        | R         |   |  |   | 4 |   |   |   | 7 |    |    |    |    |    |        | SALEABLE |                                      | N/A                    | N/A        |            |
| KEY A, BLACK, WITH CLIPSLOT, W/O CPA      | 33472-6204           | A-BLK-CLIP  | GC          | PLR |     | M        | R         |   |  |   | 4 |   |   | 6 | 7 |    |    |    |    |    |        | SALEABLE |                                      | N/A                    | N/A        |            |
| KEY A, BLACK, WITH CLIPSLOT, W/O CPA      | 33472-6205           | A-BLK-CLIP  | GC          | PLR |     | M        | R         |   | 2  | 3 | 4 | 5 | 6 |   | 8 | 9  | 10 | 11 | 12 |    |        | SALEABLE |                                      | N/A                    | N/A        |            |
| KEY A, BLACK, WITH CLIPSLOT, W/CPA        | 33472-6206           | A-BLK-CLIP  | GC          | PLR | CPA | M        | R         |   |  |   |   | 5 | 6 |   |   |    |    |    |    | 11 | 12     | SALEABLE |                                      | N/A                    | N/A        |            |
| KEY A, BLACK, WITH CLIPSLOT, W/CPA        | 33472-6207           | A-BLK-CLIP  | GC          | PLR | CPA | M        | R         |   |  |   | 3 |   |   |   | 8 | 9  | 10 | 11 |    |    |        | SALEABLE |                                      | N/A                    | N/A        |            |
| KEY A, BLACK, WITH CLIPSLOT, W/CPA        | 33472-6208           | A-BLK-CLIP  | GC          | PLR | CPA | M        | R         |   |  |   |   |   |   |   | 8 | 9  | 10 | 11 |    |    |        | SALEABLE |                                      | N/A                    | N/A        |            |
| KEY B, LIGHT GRAY, WITH CLIPSLOT, W/O CPA | 33472-6209           | B-LG-CLIP   | GC          | PLR |     | M        | R         | 1 |  |   |   |   |   | 6 | 7 |    |    | 10 | 11 | 12 |        | SALEABLE |                                      | N/A                    | N/A        |            |
| KEY A, BLACK, W/CPA                       | 33472-6210           | A-BLK   | GC          | PLR | CPA | M        | R         |   |  |   |   |   |   |   | 8 | 9  |    |    |    |    | 12     | SALEABLE |                                      | 34951-1210             | 34951-1220 |            |
| KEY A, BLACK, WITH CLIPSLOT, W/O CPA      | 33472-6211           | A-BLK-CLIP  | GC          | PLR |     | M        | R         | 1 |  |   |   |   |   |   |   |    |    |    |    |    |        | SALEABLE |                                      | N/A                    | N/A        |            |
| KEY A, BLACK, W/CPA                       | 33472-6212           | A-BLK   | GC          | PLR | CPA | M        | R         |   |  |   |   |   |   | 6 |   | 8  |    |    |    |    | 12     | SALEABLE |                                      | 34951-1210             | 34951-1220 |            |
| KEY A, BLACK, W/CPA                       | 33472-6213           | A-BLK   | GC          | PLR | CPA | M        | R         |   |  |   |   |   |   |   |   | 8  |    |    |    |    | 12     | SALEABLE |                                      | 34951-1210             | 34951-1220 |            |
| KEY A, BLACK, WITH CLIPSLOT, W/O CPA      | 33472-6214           | A-BLK-CLIP  | GC          | PLR |     | M        | R         |   |  |   |   |   |   |   | 7 |    |    | 10 | 11 | 12 |        |          |                                      |                        |            |            |



**MX150 RECEPTACLE 2X6 SEALED ASSEMBLY MAT SEAL  
BOM AND PIN OUT SHEET**

| ASSEMBLY DESCRIPTION                      | ASSEMBLY PART NUMBER | COMPONENT   |             |     |     |          |           | BLOCKED TERMINALS  |   |   |   |   |   |   |   |   |    |    |    | STATUS   | COMMENTS | OPTIONAL ATTACHMENTS SOLD SEPERATELY |                        |
|---|----------------------|---|-------------|-----|-----|----------|-----------|--|---|---|---|---|---|---|---|---|----|----|----|----------|----------|--------------------------------------|------------------------|
|   |                      | THE PRESENCE OF AN ABBREVIATION INDICATES THE PRESENCE OF THAT COMPONENT. |             |     |     |          |           | CAVITY WITH A NUMBER INDICATES BLOCKED TERMINAL POSITION<br>CAVITY WITHOUT A NUMBER INDICATES OPEN TERMINAL POSITION |   |   |   |   |   |   |   |   |    |    |    |          |          | BACKSHELL WITH RIBS                  | BACKSHELL WITHOUT RIBS |
|   |                      | HOUSING KEY/COLOR   | GROMMET CAP | PLR | CPA | MAT SEAL | RING SEAL | 1  | 2 | 3 | 4 | 5 | 6 | 7 | 8 | 9 | 10 | 11 | 12 |          |          |                                      |                        |
| KEY B, LIGHT GRAY, W/O CPA                | 33472-6228           | B-LG  | GC          | PLR |     | M        | R         | 1  | 2 | 3 | 4 | 5 |   | 7 |   |   |    | 11 | 12 | SALEABLE |          | 34951-1210                           | 34951-1220             |
| KEY B, LIGHT GRAY, W/O CPA                | 33472-6229           | B-LG  | GC          | PLR |     | M        | R         | 1  | 2 | 3 | 4 | 5 | 6 | 7 |   |   | 10 | 11 | 12 | SALEABLE |          | 34951-1210                           | 34951-1220             |
| KEY B, LIGHT GRAY, W/O CPA                | 33472-6230           | B-LG  | GC          | PLR |     | M        | R         |  |   |   |   |   | 6 | 7 |   |   | 10 | 11 | 12 | SALEABLE |          | 34951-1210                           | 34951-1220             |
| KEY B, LIGHT GRAY, W/O CPA                | 33472-6231           | B-LG  | GC          | PLR |     | M        | R         |  |   |   |   |   | 6 | 7 | 8 | 9 | 10 | 11 | 12 | SALEABLE |          | 34951-1210                           | 34951-1220             |
| KEY B, LIGHT GRAY, W/O CPA                | 33472-6232           | B-LG  | GC          | PLR |     | M        | R         |  |   | 3 |   |   |   | 7 |   |   |    |    |    | SALEABLE |          | 34951-1210                           | 34951-1220             |
| KEY B, LIGHT GRAY, WITH CLIPSLOT, W/O CPA | 33472-6233           | B-LG-CLIP   | GC          | PLR |     | M        | R         |  |   |   |   |   |   | 7 |   |   |    | 11 | 12 | SALEABLE |          | N/A                                  | N/A                    |

MX150 RECEPTACLE 2X8 SEALED ASSEMBLY MAT SEAL  
BOM AND PIN OUT SHEET



| ABBREVIATION | DESCRIPTION                            | COLOR      | MATERIAL                       |
|--------------|--|------------|--------------------------------|
| A-BLK        | HOUSING, KEYING OPTION A               | BLACK      | SPS/NYLON GF20                 |
| B-LG         | HOUSING, KEYING OPTION B               | LIGHT GRAY | SPS/NYLON GF20                 |
| C-BR         | HOUSING, KEYING OPTION C               | BROWN      | SPS/NYLON GF20                 |
| D-GR         | HOUSING, KEYING OPTION D               | GREEN      | SPS/NYLON GF20                 |
| C-DG         | HOUSING, KEYING OPTION C               | DARK GRAY  | SPS/NYLON GF20                 |
| D-SG         | HOUSING, KEYING OPTION D               | STONE GRAY | SPS/NYLON GF20                 |
| A-YW         | HOUSING, KEYING OPTION A               | YELLOW     | SPS/NYLON GF20                 |
| A-BLK-CLIP   | HOUSING, KEYING OPTION A WITH CLIPSLOT | BLACK      | SPS/NYLON GF20                 |
| B-LG-CLIP    | HOUSING, KEYING OPTION B WITH CLIPSLOT | LIGHT GRAY | SPS/NYLON GF20                 |
| C-DG-CLIP    | HOUSING, KEYING OPTION C WITH CLIPSLOT | DARK GRAY  | SPS/NYLON GF20                 |
| D-SG-CLIP    | HOUSING, KEYING OPTION D WITH CLIPSLOT | STONE GRAY | SPS/NYLON GF20                 |
| GC           | GROMMET CAP                            | BLACK      | SPS/NYLON GF20                 |
| PLR          | PLR                                    | NATURAL    | SPS/NYLON GF20                 |
| CPA          | CPA                                    | RED        | PBT GF30                       |
| M            | MAT SEAL                               | LIGHT BLUE | INHERENTLY LUBRICATED SILICONE |
| R            | RING SEAL                              | GREEN      | INHERENTLY LUBRICATED SILICONE |

FOR ADDITIONAL INFORMATION SEE SD-33472-0001

| ASSEMBLY DESCRIPTION       | ASSEMBLY PART NUMBER | COMPONENT   |             |     |     |          |           | BLOCKED TERMINALS  |   |   |   |   |   |   |   |   |    |    |    |    |    |    |    | STATUS | COMMENTS        | OPTIONAL ATTACHMENTS SOLD SEPARATELY |                        |                       |                          |     |     |
|----------------------------|----------------------|---|-------------|-----|-----|----------|-----------|--|---|---|---|---|---|---|---|---|----|----|----|----|----|----|----|--------|-----------------|--------------------------------------|------------------------|-----------------------|--------------------------|-----|-----|
|                            |                      | THE PRESENCE OF AN ABBREVIATION INDICATES THE PRESENCE OF THAT COMPONENT. |             |     |     |          |           | CAVITY WITH A NUMBER INDICATES BLOCKED TERMINAL POSITION<br>CAVITY WITHOUT A NUMBER INDICATES OPEN TERMINAL POSITION |   |   |   |   |   |   |   |   |    |    |    |    |    |    |    |        |                 | BACKSHELL WITH RIBS                  | BACKSHELL WITHOUT RIBS | 90° ADAPTOR WITH RIBS | 90° ADAPTOR WITHOUT RIBS |     |     |
|                            |                      | HOUSING KEY/COLOR   | GROMMET CAP | PLR | CPA | MAT SEAL | RING SEAL | 1  | 2 | 3 | 4 | 5 | 6 | 7 | 8 | 9 | 10 | 11 | 12 | 13 | 14 | 15 | 16 |        |                 |                                      |                        |                       |                          |     |     |
| KEY A, BLACK, W/O CPA      | 33472-1601           | A-BLK   | GC          | PLR |     | M        | R         |  |   |   |   |   |   |   |   |   |    |    |    |    |    |    |    |        |                 | SALEABLE                             |                        | N/A                   | N/A                      | N/A | N/A |
| KEY B, LIGHT GRAY, W/O CPA | 33472-1602           | B-LG  | GC          | PLR |     | M        | R         |  |   |   |   |   |   |   |   |   |    |    |    |    |    |    |    |        |                 | SALEABLE                             |                        | N/A                   | N/A                      | N/A | N/A |
| KEY C, BROWN, W/O CPA      | 33472-1603           | C-BR  | GC          | PLR |     | M        | R         |  |   |   |   |   |   |   |   |   |    |    |    |    |    |    |    |        |                 | NOT RECOMMENDED                      | SEE P/N 33472-1767     | N/A                   | N/A                      | N/A | N/A |
| KEY D, GREEN, W/O CPA      | 33472-1604           | D-GR  | GC          | PLR |     | M        | R         |  |   |   |   |   |   |   |   |   |    |    |    |    |    |    |    |        |                 | NOT RECOMMENDED                      | SEE P/N 33472-1768     | N/A                   | N/A                      | N/A | N/A |
| VOID KEY                   | 33472-1605           |   |             |     |     |          |           |  |   |   |   |   |   |   |   |   |    |    |    |    |    |    |    |        |                 |                                      |                        |                       |                          |     |     |
| KEY A, BLACK, W/CPA        | 33472-1606           | A-BLK   | GC          | PLR | CPA | M        | R         |  |   |   |   |   |   |   |   |   |    |    |    |    |    |    |    |        |                 | SALEABLE                             |                        | N/A                   | N/A                      | N/A | N/A |
| KEY B, LIGHT GRAY, W/CPA   | 33472-1607           | B-LG  | GC          | PLR | CPA | M        | R         |  |   |   |   |   |   |   |   |   |    |    |    |    |    |    |    |        |                 | SALEABLE                             |                        | N/A                   | N/A                      | N/A | N/A |
| KEY C, BROWN, W/CPA        | 33472-1608           | C-BR  | GC          | PLR | CPA | M        | R         |  |   |   |   |   |   |   |   |   |    |    |    |    |    |    |    |        |                 | NOT RECOMMENDED                      | SEE P/N 33472-1769     | N/A                   | N/A                      | N/A | N/A |
| KEY D, GREEN, W/CPA        | 33472-1609           | D-GR  | GC          | PLR | CPA | M        | R         |  |   |   |   |   |   |   |   |   |    |    |    |    |    |    |    |        |                 | NOT RECOMMENDED                      | SEE P/N 33472-1770     | N/A                   | N/A                      | N/A | N/A |
| VOID KEY                   | 33472-1610           |   |             |     |     |          |           |  |   |   |   |   |   |   |   |   |    |    |    |    |    |    |    |        |                 |                                      |                        |                       |                          |     |     |
| KEY A, BLACK, W/O CPA      | 33472-1611           | A-BLK   | GC          | PLR |     | M        | R         |  |   |   |   |   |   |   |   |   |    |    |    |    |    |    |    |        |                 | SALEABLE                             |                        | N/A                   | N/A                      | N/A | N/A |
| KEY B, LIGHT GRAY, W/O CPA | 33472-1612           | B-LG  | GC          | PLR |     | M        | R         |  |   |   |   |   |   |   |   |   |    |    |    |    |    |    |    |        |                 | SALEABLE                             |                        | N/A                   | N/A                      | N/A | N/A |
| KEY C, BROWN, W/O CPA      | 33472-1613           | C-BR  | GC          | PLR |     | M        | R         |  |   |   |   |   |   |   |   |   |    |    |    |    |    |    |    |        |                 | NOT RECOMMENDED                      |                        | N/A                   | N/A                      | N/A | N/A |
| KEY D, GREEN, W/O CPA      | 33472-1614           | D-GR  | GC          | PLR |     | M        | R         |  |   |   |   |   |   |   |   |   |    |    |    |    |    |    |    |        |                 | NOT RECOMMENDED                      |                        | N/A                   | N/A                      | N/A | N/A |
| VOID KEY                   | 33472-1615           |   |             |     |     |          |           |  |   |   |   |   |   |   |   |   |    |    |    |    |    |    |    |        |                 |                                      |                        |                       |                          |     |     |
| KEY A, BLACK, W/CPA        | 33472-1616           | A-BLK   | GC          | PLR | CPA | M        | R         |  |   |   |   |   |   |   |   |   |    |    |    |    |    |    |    |        |                 | SALEABLE                             |                        | N/A                   | N/A                      | N/A | N/A |
| KEY B, LIGHT GRAY, W/CPA   | 33472-1617           | B-LG  | GC          | PLR | CPA | M        | R         |  |   |   |   |   |   |   |   |   |    |    |    |    |    |    |    |        |                 | SALEABLE                             |                        | N/A                   | N/A                      | N/A | N/A |
| KEY C, BROWN, W/CPA        | 33472-1618           | C-BR  | GC          | PLR | CPA | M        | R         |  |   |   |   |   |   |   |   |   |    |    |    |    |    |    |    |        |                 | NOT RECOMMENDED                      |                        | N/A                   | N/A                      | N/A | N/A |
| KEY D, GREEN, W/CPA        | 33472-1619           | D-GR  | GC          | PLR | CPA | M        | R         |  |   |   |   |   |   |   |   |   |    |    |    |    |    |    |    |        |                 | NOT RECOMMENDED                      |                        | N/A                   | N/A                      | N/A | N/A |
| VOID KEY                   | 33472-1620           |   |             |     |     |          |           |  |   |   |   |   |   |   |   |   |    |    |    |    |    |    |    |        |                 |                                      |                        |                       |                          |     |     |
| KEY A, BLACK, W/O CPA      | 33472-1621           | A-BLK   | GC          | PLR |     | M        | R         | 1  | 2 | 3 | 4 | 5 | 6 | 7 | 8 | 9 | 10 | 11 | 12 | 13 | 14 | 15 | 16 |        | SALEABLE        |                                      | N/A                    | N/A                   | N/A                      | N/A |     |
| KEY B, LIGHT GRAY, W/O CPA | 33472-1622           | B-LG  | GC          | PLR |     | M        | R         | 1  | 2 | 3 | 4 | 5 | 6 | 7 | 8 | 9 | 10 | 11 | 12 | 13 | 14 | 15 | 16 |        | SALEABLE        |                                      | N/A                    | N/A                   | N/A                      | N/A |     |
| KEY C, BROWN, W/O CPA      | 33472-1623           | C-BR  | GC          | PLR |     | M        | R         | 1  | 2 | 3 | 4 | 5 | 6 | 7 | 8 | 9 | 10 | 11 | 12 | 13 | 14 | 15 | 16 |        | NOT RECOMMENDED |                                      | N/A                    | N/A                   | N/A                      | N/A | N/A |
| KEY D, GREEN, W/O CPA      | 33472-1624           | D-GR  | GC          | PLR |     | M        | R         | 1  | 2 | 3 | 4 | 5 | 6 | 7 | 8 | 9 | 10 | 11 | 12 | 13 | 14 | 15 | 16 |        | NOT RECOMMENDED |                                      | N/A                    | N/A                   | N/A                      | N/A | N/A |
| VOID KEY                   | 33472-1625           |   |             |     |     |          |           |  |   |   |   |   |   |   |   |   |    |    |    |    |    |    |    |        |                 |                                      |                        |                       |                          |     |     |
| KEY A, BLACK, W/CPA        | 33472-1626           | A-BLK   | GC          | PLR | CPA | M        | R         | 1  | 2 | 3 | 4 | 5 | 6 | 7 | 8 | 9 | 10 | 11 | 12 | 13 | 14 | 15 | 16 |        | SALEABLE        |                                      | N/A                    | N/A                   | N/A                      | N/A |     |
| KEY B, LIGHT GRAY, W/CPA   | 33472-1627           | B-LG  | GC          | PLR | CPA | M        | R         | 1  | 2 | 3 | 4 | 5 | 6 | 7 | 8 | 9 | 10 | 11 | 12 | 13 | 14 | 15 | 16 |        | SALEABLE        |                                      | N/A                    | N/A                   | N/A                      | N/A |     |
| KEY C, BROWN, W/CPA        | 33472-1628           | C-BR  | GC          | PLR | CPA | M        | R         | 1  | 2 | 3 | 4 | 5 | 6 | 7 | 8 | 9 | 10 | 11 | 12 | 13 | 14 | 15 | 16 |        | NOT RECOMMENDED |                                      | N/A                    | N/A                   | N/A                      | N/A | N/A |
| KEY D, GREEN, W/CPA        | 33472-1629           | D-GR  | GC          | PLR | CPA | M        | R         | 1  | 2 | 3 | 4 | 5 | 6 | 7 | 8 | 9 | 10 | 11 | 12 | 13 | 14 | 15 | 16 |        | NOT RECOMMENDED |                                      | N/A                    | N/A                   | N/A                      | N/A | N/A |
| VOID KEY                   | 33472-1630           |   |             |     |     |          |           |  |   |   |   |   |   |   |   |   |    |    |    |    |    |    |    |        |                 |                                      |                        |                       |                          |     |     |
| KEY A, BLACK, W/O CPA      | 33472-1631           | A-BLK   | GC          | PLR |     | M        | R         |  |   |   |   |   |   |   |   |   |    |    |    |    |    |    |    |        |                 | SALEABLE                             |                        | N/A                   | N/A                      | N/A | N/A |
| KEY B, LIGHT GRAY, W/O CPA | 33472-1632           | B-LG  | GC          | PLR |     | M        | R         |  |   |   |   |   |   |   |   |   |    |    |    |    |    |    |    |        |                 | SALEABLE                             |                        | N/A                   | N/A                      | N/A | N/A |
| KEY C, BROWN, W/O CPA      | 33472-1633           | C-BR  | GC          | PLR |     | M        | R         |  |   |   |   |   |   |   |   |   |    |    |    |    |    |    |    |        |                 | NOT RECOMMENDED                      |                        | N/A                   | N/A                      | N/A | N/A |
| KEY D, GREEN, W/O CPA      | 33472-1634           | D-GR  | GC          | PLR |     | M        | R         |  |   |   |   |   |   |   |   |   |    |    |    |    |    |    |    |        |                 | NOT RECOMMENDED                      |                        | N/A                   | N/A                      | N/A | N/A |
| VOID KEY                   | 33472-1635           |   |             |     |     |          |           |  |   |   |   |   |   |   |   |   |    |    |    |    |    |    |    |        |                 |                                      |                        |                       |                          |     |     |
| KEY A, BLACK, W/CPA        | 33472-1636           | A-BLK   | GC          | PLR | CPA | M        | R         |  |   |   |   |   |   |   |   |   |    |    |    |    |    |    |    |        |                 | SALEABLE                             |                        | N/A                   | N/A                      | N/A | N/A |
| KEY B, LIGHT GRAY, W/CPA   | 33472-1637           | B-LG  | GC          | PLR | CPA | M        | R         |  |   |   |   |   |   |   |   |   |    |    |    |    |    |    |    |        |                 | SALEABLE                             |                        | N/A                   | N/A                      | N/A | N/A |
| KEY C, BROWN, W/CPA        | 33472-1638           | C-BR  | GC          | PLR | CPA | M        | R         |  |   |   |   |   |   |   |   |   |    |    |    |    |    |    |    |        |                 | NOT RECOMMENDED                      |                        | N/A                   | N/A                      | N/A | N/A |
| KEY D, GREEN, W/CPA        | 33472-1639           | D-GR  | GC          | PLR | CPA | M        | R         |  |   |   |   |   |   |   |   |   |    |    |    |    |    |    |    |        |                 | NOT RECOMMENDED                      |                        | N/A                   | N/A                      | N/A | N/A |
| VOID KEY                   | 33472-1640           |   |             |     |     |          |           |  |   |   |   |   |   |   |   |   |    |    |    |    |    |    |    |        |                 |                                      |                        |                       |                          |     |     |
| KEY A, BLACK, W/O CPA      | 33472-1641           | A-BLK   | GC          | PLR |     | M        | R         | 1  |   |   |   |   |   |   |   |   |    |    |    |    |    |    |    |        |                 | SALEABLE                             |                        | N/A                   | N/A                      | N/A | N/A |
| KEY B, LIGHT GRAY, W/O CPA | 33472-1642           | B-LG  | GC          | PLR |     | M        | R         | 1  |   |   |   |   |   |   |   |   |    |    |    |    |    |    |    |        |                 | SALEABLE                             |                        | N/A                   | N/A                      | N/A | N/A |
| KEY C, BROWN, W/O CPA      | 33472-1643           | C-BR  | GC          | PLR |     | M        | R         | 1  |   |   |   |   |   |   |   |   |    |    |    |    |    |    |    |        |                 | NOT RECOMMENDED                      |                        | N/A                   | N/A                      | N/A | N/A |
| KEY D, GREEN, W/O CPA      | 33472-1644           | D-GR  | GC          | PLR |     | M        | R         | 1  |   |   |   |   |   |   |   |   |    |    |    |    |    |    |    |        |                 | NOT RECOMMENDED                      |                        | N/A                   | N/A                      | N/A | N/A |
| VOID KEY                   | 33472-1645           |   |             |     |     |          |           |  |   |   |   |   |   |   |   |   |    |    |    |    |    |    |    |        |                 |                                      |                        |                       |                          |     |     |
| KEY A, BLACK, W/CPA        | 33472-1646           | A-BLK   | GC          | PLR | CPA | M        | R         | 1  |   |   |   |   |   |   |   |   |    |    |    |    |    |    |    |        |                 | SALEABLE                             |                        | N/A                   | N/A                      | N/A | N/A |
| KEY B, LIGHT GRAY, W/CPA   | 33472-1647           | B-LG  | GC          | PLR | CPA | M        | R         | 1  |   |   |   |   |   |   |   |   |    |    |    |    |    |    |    |        |                 | SALEABLE                             |                        | N/A                   | N/A                      | N/A | N/A |
| KEY C, BROWN, W/CPA        | 33472-1648           | C-BR  | GC          | PLR | CPA | M        | R         | 1  |   |   |   |   |   |   |   |   |    |    |    |    |    |    |    |        |                 | NOT RECOMMENDED                      |                        | N/A                   | N/A                      | N/A | N/A |
| KEY D, GREEN, W/CPA        | 33472-1649           | D-GR  | GC          | PLR | CPA | M        | R         | 1  |   |   |   |   |   |   |   |   |    |    |    |    |    |    |    |        |                 | NOT RECOMMENDED                      |                        | N/A                   | N/A                      | N/A | N/A |
| VOID KEY                   | 33472-1650           |   |             |     |     |          |           |  |   |   |   |   |   |   |   |   |    |    |    |    |    |    |    |        |                 |                                      |                        |                       |                          |     |     |
| KEY A, BLACK, W/O CPA      | 33472-1651           | A-BLK   | GC          | PLR |     | M        | R         |  |   |   |   |   |   |   |   |   |    |    |    |    |    |    |    |        |                 | SALEABLE                             |                        | N/A                   | N/A                      | N/A | N/A |
| KEY A, BLACK, W/CPA        | 33472-1652           | A-BLK   | GC          | PLR | CPA | M        | R         |  |   |   |   |   |   |   |   |   |    |    |    |    |    |    |    |        |                 | SALEABLE                             |                        | N/A                   | N/A                      | N/A | N/A |
| KEY A, BLACK, W/O CPA      | 33472-1653           | A-BLK   | GC          | PLR |     | M        | R         | 1  |   |   |   |   |   |   |   |   |    |    |    |    |    |    |    |        |                 | SALEABLE                             |                        | N/A                   | N/A                      | N/A | N/A |
| KEY B, LIGHT GRAY, W/O CPA | 33472-1654           | B-LG  | GC          | PLR |     | M        | R         | 1  |   |   |   |   |   |   |   |   |    |    |    |    |    |    |    |        |                 | SALEABLE                             |                        | N/A                   | N/A                      | N/A | N/A |
| KEY C, BROWN, W/O CPA      | 33472-1655           | C-BR  | GC          | PLR |     | M        | R         | 1  |   |   |   |   |   |   |   |   |    |    |    |    |    |    |    |        |                 | NOT RECOMMENDED                      |                        | N/A                   | N/A                      | N/A | N/A |
| KEY D, GREEN, W/O CPA      | 33472-1656           | D-GR  | GC          | PLR |     | M        | R         | 1  |   |   |   |   |   |   |   |   |    |    |    |    |    |    |    |        |                 | NOT RECOMMENDED                      |                        | N/A                   | N/A                      | N/A | N/A |
| VOID KEY                   | 33472-1657           |   |             |     |     |          |           |  |   |   |   |   |   |   |   |   |    |    |    |    |    |    |    |        |                 |                                      |                        |                       |                          |     |     |
| KEY A, BLACK, W/CPA        | 33472-1658           | A-BLK   | GC          | PLR | CPA | M        | R         | 1  |   |   |   |   |   |   |   |   |    |    |    |    |    |    |    |        |                 | SALEABLE                             |                        | N/A                   | N/A                      | N/A | N/A |
| KEY B, LIGHT GRAY, W/CPA   | 33472-1659           | B-LG  | GC          | PLR | CPA | M        | R         | 1  |   |   |   |   |   |   |   |   |    |    |    |    |    |    |    |        |                 | SALEABLE                             |                        | N/A                   | N/A                      | N/A | N/A |
| KEY C, BROWN, W/CPA        | 33472-1660           | C-BR  | GC          | PLR | CPA | M        | R         | 1  |   |   |   |   |   |   |   |   |    |    |    |    |    |    |    |        |                 | NOT RECOMMENDED                      |                        | N/A                   | N/A                      | N/A | N/A |
| KEY D, GREEN, W/CPA        | 33472-1661           | D-GR  | GC          |     |     |          |           |  |   |   |   |   |   |   |   |   |    |    |    |    |    |    |    |        |                 |                                      |                        |                       |                          |     |     |





MX150 RECEPTACLE 2X8 SEALED ASSEMBLY MAT SEAL  
BOM AND PIN OUT SHEET

| ASSEMBLY DESCRIPTION       | ASSEMBLY PART NUMBER | COMPONENT   |             |     |     |          |           | BLOCKED TERMINALS  |   |   |   |   |   |   |   |    |    |    |    |    |    |    |    | STATUS   | COMMENTS | OPTIONAL ATTACHMENTS SOLD SEPERATELY |                        |                       |                          |     |     |     |     |     |
|----------------------------|----------------------|---|-------------|-----|-----|----------|-----------|--|---|---|---|---|---|---|---|----|----|----|----|----|----|----|----|----------|----------|--------------------------------------|------------------------|-----------------------|--------------------------|-----|-----|-----|-----|-----|
|                            |                      | THE PRESENCE OF AN ABBREVIATION INDICATES THE PRESENCE OF THAT COMPONENT. |             |     |     |          |           | CAVITY WITH A NUMBER INDICATES BLOCKED TERMINAL POSITION<br>CAVITY WITHOUT A NUMBER INDICATES OPEN TERMINAL POSITION |   |   |   |   |   |   |   |    |    |    |    |    |    |    |    |          |          | BACKSHELL WITH RIBS                  | BACKSHELL WITHOUT RIBS | 90° ADAPTOR WITH RIBS | 90° ADAPTOR WITHOUT RIBS |     |     |     |     |     |
|                            |                      | HOUSING KEY/COLOR   | GROMMET CAP | PLR | CPA | MAT SEAL | RING SEAL | 1  | 2 | 3 | 4 | 5 | 6 | 7 | 8 | 9  | 10 | 11 | 12 | 13 | 14 | 15 | 16 |          |          |                                      |                        |                       |                          |     |     |     |     |     |
| KEY B, LIGHT GRAY, W/CPA   | 33472-1773           | B-LG  | GC          | PLR | CPA | M        | R         |  |   | 4 | 5 |   |   |   |   | 10 | 11 | 12 | 13 |    |    |    |    | SALEABLE |          | N/A                                  | N/A                    | N/A                   | N/A                      |     |     |     |     |     |
| KEY B, LIGHT GRAY, W/CPA   | 33472-1774           | B-LG  | GC          | PLR | CPA | M        | R         |  |   | 4 | 5 |   |   | 8 |   | 10 | 11 | 12 | 13 |    |    |    |    | SALEABLE |          | N/A                                  | N/A                    | N/A                   | N/A                      |     |     |     |     |     |
| KEY B, LIGHT GRAY, W/CPA   | 33472-1775           | B-LG  | GC          | PLR | CPA | M        | R         |  |   | 4 | 5 |   |   | 8 |   | 10 | 11 | 12 | 13 |    |    | 16 |    | SALEABLE |          | N/A                                  | N/A                    | N/A                   | N/A                      |     |     |     |     |     |
| KEY B, LIGHT GRAY, W/CPA   | 33472-1776           | B-LG  | GC          | PLR | CPA | M        | R         |  |   | 4 | 5 |   |   | 8 |   | 10 | 11 | 12 | 13 |    |    |    |    | SALEABLE |          | N/A                                  | N/A                    | N/A                   | N/A                      |     |     |     |     |     |
| KEY B, LIGHT GRAY, W/CPA   | 33472-1777           | B-LG  | GC          | PLR | CPA | M        | R         |  |   | 4 | 5 |   |   |   |   | 10 | 11 | 12 | 13 |    |    |    |    | SALEABLE |          | N/A                                  | N/A                    | N/A                   | N/A                      |     |     |     |     |     |
| KEY A, BLACK, W/O CPA      | 33472-1778           | A-BLK   | GC          | PLR |     | M        | R         |  |   |   |   |   |   |   | 9 | 10 |    |    |    |    |    | 15 | 16 | SALEABLE |          | N/A                                  | N/A                    | N/A                   | N/A                      |     |     |     |     |     |
| KEY A, BLACK, W/O CPA      | 33472-1779           | A-BLK   | GC          | PLR |     | M        | R         |  | 2 |   |   |   |   | 6 | 7 |    |    |    |    |    |    | 13 | 15 | 16       | SALEABLE |                                      | N/A                    | N/A                   | N/A                      | N/A |     |     |     |     |
| KEY A, BLACK, W/CPA        | 33472-1780           | A-BLK   | GC          | PLR | CPA | M        | R         |  |   |   |   |   |   |   |   |    |    |    |    |    |    | 14 | 15 | 16       | SALEABLE |                                      | N/A                    | N/A                   | N/A                      | N/A |     |     |     |     |
| KEY A, BLACK, W/O CPA      | 33472-1781           | A-BLK   | GC          | PLR |     | M        | R         |  |   |   |   |   |   | 7 |   |    |    |    |    |    |    |    |    |          | SALEABLE |                                      | N/A                    | N/A                   | N/A                      | N/A |     |     |     |     |
| KEY A, BLACK, W/CPA        | 33472-1782           | A-BLK   | GC          | PLR | CPA | M        | R         |  |   |   |   |   |   |   |   |    |    |    |    |    |    | 12 | 13 | 14       | 15       | 16                                   | SALEABLE               |                       | N/A                      | N/A | N/A | N/A |     |     |
| KEY A, BLACK, W/O CPA      | 33472-1783           | A-BLK   | GC          | PLR |     | M        | R         | 1  | 2 | 3 | 4 |   |   | 7 | 8 | 9  | 10 | 11 | 12 |    |    | 15 | 16 | SALEABLE |          | N/A                                  | N/A                    | N/A                   | N/A                      | N/A |     |     |     |     |
| KEY A, BLACK, W/O CPA      | 33472-1784           | A-BLK   | GC          | PLR |     | M        | R         | 1  | 2 | 3 | 4 |   |   | 8 | 9 | 10 | 11 | 12 |    |    |    |    | 16 | SALEABLE |          | N/A                                  | N/A                    | N/A                   | N/A                      | N/A |     |     |     |     |
| KEY A, BLACK, W/O CPA      | 33472-1785           | A-BLK   | GC          | PLR |     | M        | R         |  | 2 | 3 | 4 |   |   |   | 9 | 10 |    |    |    |    |    | 15 | 16 | SALEABLE |          | N/A                                  | N/A                    | N/A                   | N/A                      | N/A |     |     |     |     |
| KEY A, BLACK, W/O CPA      | 33472-1786           | A-BLK   | GC          | PLR |     | M        | R         |  | 2 | 3 | 4 | 5 | 6 | 7 | 8 | 9  | 10 |    |    |    |    | 14 | 15 | 16       | SALEABLE |                                      | N/A                    | N/A                   | N/A                      | N/A | N/A |     |     |     |
| KEY A, BLACK, W/O CPA      | 33472-1787           | A-BLK   | GC          | PLR |     | M        | R         |  |   |   |   |   |   | 8 |   | 10 | 11 |    |    |    |    | 13 | 15 | 16       | SALEABLE |                                      | N/A                    | N/A                   | N/A                      | N/A | N/A |     |     |     |
| KEY A, BLACK, W/O CPA      | 33472-1788           | A-BLK   | GC          | PLR |     | M        | R         |  |   | 3 |   |   |   | 8 |   | 10 | 11 |    |    |    |    | 13 | 15 | 16       | SALEABLE |                                      | N/A                    | N/A                   | N/A                      | N/A | N/A |     |     |     |
| KEY A, BLACK, W/O CPA      | 33472-1789           | A-BLK   | GC          | PLR |     | M        | R         |  |   |   |   |   |   | 8 |   | 10 | 11 |    |    |    |    | 14 | 15 | 16       | SALEABLE |                                      | N/A                    | N/A                   | N/A                      | N/A | N/A |     |     |     |
| KEY A, BLACK, W/O CPA      | 33472-1790           | A-BLK   | GC          | PLR |     | M        | R         |  |   | 3 | 4 | 5 |   |   | 8 |    | 10 | 11 | 12 | 13 | 14 | 15 |    | SALEABLE |          | N/A                                  | N/A                    | N/A                   | N/A                      | N/A |     |     |     |     |
| KEY A, BLACK, W/O CPA      | 33472-1791           | A-BLK   | GC          | PLR |     | M        | R         |  |   |   |   |   |   |   |   |    |    |    |    |    |    |    | 15 | 16       | SALEABLE |                                      | N/A                    | N/A                   | N/A                      | N/A | N/A |     |     |     |
| KEY A, BLACK, W/O CPA      | 33472-1792           | A-BLK   | GC          | PLR |     | M        | R         | 1  |   | 3 |   |   |   |   | 7 | 8  | 9  | 10 |    |    |    | 14 | 15 | 16       | SALEABLE |                                      | N/A                    | N/A                   | N/A                      | N/A | N/A |     |     |     |
| KEY A, BLACK, W/O CPA      | 33472-1793           | A-BLK   | GC          | PLR |     | M        | R         |  |   |   |   |   |   |   |   |    |    |    |    |    |    | 13 | 14 | 15       | 16       | SALEABLE                             |                        | N/A                   | N/A                      | N/A | N/A | N/A |     |     |
| KEY A, BLACK, W/O CPA      | 33472-1794           | A-BLK   | GC          | PLR |     | M        | R         |  | 2 |   |   |   |   | 6 | 7 | 8  |    |    |    |    |    | 12 |    |          | SALEABLE |                                      | N/A                    | N/A                   | N/A                      | N/A | N/A |     |     |     |
| KEY A, BLACK, W/CPA        | 33472-1795           | A-BLK   | GC          | PLR | CPA | M        | R         |  |   |   |   |   |   |   |   |    |    |    |    |    |    | 12 | 14 |          | SALEABLE |                                      | N/A                    | N/A                   | N/A                      | N/A | N/A |     |     |     |
| KEY A, BLACK, W/O CPA      | 33472-1796           | A-BLK   | GC          | PLR |     | M        | R         | 1  |   |   |   |   |   | 5 |   | 7  | 8  |    |    |    |    | 10 | 11 | 14       | 15       | SALEABLE                             |                        | N/A                   | N/A                      | N/A | N/A | N/A |     |     |
| KEY A, BLACK, W/O CPA      | 33472-1797           | A-BLK   | GC          | PLR |     | M        | R         |  |   |   |   |   |   |   |   |    |    |    |    |    |    |    |    |          | SALEABLE |                                      | N/A                    | N/A                   | N/A                      | N/A | N/A |     |     |     |
| KEY A, BLACK, W/O CPA      | 33472-1798           | A-BLK   | GC          | PLR |     | M        | R         | 1  |   | 3 |   |   |   |   | 5 |    | 7  |    |    |    |    |    |    | 15       | SALEABLE |                                      | N/A                    | N/A                   | N/A                      | N/A | N/A |     |     |     |
| KEY B, LIGHT GRAY, W/CPA   | 33472-1799           | B-LG  | GC          | PLR | CPA | M        | R         |  |   |   |   |   |   |   |   |    |    |    |    |    |    |    |    |          | SALEABLE |                                      | N/A                    | N/A                   | N/A                      | N/A | N/A |     |     |     |
| KEY A, BLACK, W/O CPA      | 33472-1800           | A-BLK   | GC          | PLR |     | M        | R         | 1  | 2 | 3 | 4 | 5 |   |   |   |    |    |    |    |    |    |    |    |          | SALEABLE |                                      | N/A                    | N/A                   | N/A                      | N/A | N/A |     |     |     |
| KEY B, LIGHT GRAY, W/CPA   | 33472-1801           | B-LG  | GC          | PLR | CPA | M        | R         |  |   |   |   |   |   |   |   |    |    |    |    |    |    | 12 | 13 |          | SALEABLE |                                      | N/A                    | N/A                   | N/A                      | N/A | N/A |     |     |     |
| KEY B, LIGHT GRAY, W/CPA   | 33472-1802           | B-LG  | GC          | PLR | CPA | M        | R         |  | 2 |   |   |   |   | 4 | 5 | 6  |    |    |    |    |    | 12 | 13 |          | SALEABLE |                                      | N/A                    | N/A                   | N/A                      | N/A | N/A |     |     |     |
| KEY B, LIGHT GRAY, W/CPA   | 33472-1803           | B-LG  | GC          | PLR | CPA | M        | R         |  | 2 |   |   |   |   | 4 | 5 | 6  |    |    |    |    |    | 12 | 13 |          | SALEABLE |                                      | N/A                    | N/A                   | N/A                      | N/A | N/A |     |     |     |
| KEY B, LIGHT GRAY, W/CPA   | 33472-1804           | B-LG  | GC          | PLR | CPA | M        | R         |  | 2 | 3 | 4 | 5 | 6 |   |   |    |    |    |    |    |    |    |    |          | SALEABLE |                                      | N/A                    | N/A                   | N/A                      | N/A | N/A |     |     |     |
| KEY A, BLACK, W/O CPA      | 33472-1805           | A-BLK   | GC          | PLR |     | M        | R         |  |   |   |   |   |   |   |   |    |    |    |    |    |    |    | 14 | 15       | SALEABLE |                                      | N/A                    | N/A                   | N/A                      | N/A | N/A |     |     |     |
| KEY A, BLACK, W/CPA        | 33472-1806           | A-BLK   | GC          | PLR | CPA | M        | R         | 1  |   | 3 | 4 |   |   |   |   |    |    |    |    |    |    | 12 | 13 | 14       | 15       | 16                                   | SALEABLE               |                       | N/A                      | N/A | N/A | N/A | N/A |     |
| KEY A, BLACK, W/CPA        | 33472-1807           | A-BLK   | GC          | PLR | CPA | M        | R         | 1  | 2 | 3 | 4 | 5 |   |   |   |    |    |    |    |    |    | 11 | 12 | 13       | 14       | 15                                   | 16                     | SALEABLE              |                          | N/A | N/A | N/A | N/A | N/A |
| KEY A, BLACK, W/CPA        | 33472-1808           | A-BLK   | GC          | PLR | CPA | M        | R         |  | 2 | 3 | 4 | 5 |   |   |   |    |    |    |    |    |    |    |    |          |          | SALEABLE                             |                        | N/A                   | N/A                      | N/A | N/A | N/A |     |     |
| KEY A, BLACK, W/CPA        | 33472-1809           | A-BLK   | GC          | PLR | CPA | M        | R         |  |   |   |   |   |   |   |   |    |    |    |    |    |    |    |    |          |          | SALEABLE                             |                        | N/A                   | N/A                      | N/A | N/A | N/A |     |     |
| KEY A, BLACK, W/O CPA      | 33472-1810           | A-BLK   | GC          | PLR |     | M        | R         | 1  | 2 | 3 | 4 | 5 | 6 | 7 | 8 |    |    |    |    |    |    | 13 | 14 | 15       | 16       | SALEABLE                             |                        | N/A                   | N/A                      | N/A | N/A | N/A |     |     |
| KEY A, BLACK, W/O CPA      | 33472-1811           | A-BLK   | GC          | PLR |     | M        | R         | 1  | 2 | 3 |   |   |   |   |   |    |    |    |    |    |    |    | 13 | 14       | 15       | SALEABLE                             |                        | N/A                   | N/A                      | N/A | N/A | N/A |     |     |
| KEY A, BLACK, W/O CPA      | 33472-1812           | A-BLK   | GC          | PLR |     | M        | R         | 1  | 2 |   |   |   |   |   |   |    |    |    |    |    |    |    | 13 | 14       | 15       | SALEABLE                             |                        | N/A                   | N/A                      | N/A | N/A | N/A |     |     |
| KEY B, LIGHT GRAY, W/O CPA | 33472-1813           | B-LG  | GC          | PLR |     | M        | R         |  |   |   |   |   |   | 6 | 7 | 8  |    |    |    |    |    | 11 |    |          | SALEABLE |                                      | N/A                    | N/A                   | N/A                      | N/A | N/A |     |     |     |
| KEY B, LIGHT GRAY, W/O CPA | 33472-1814           | B-LG  | GC          | PLR |     | M        | R         |  |   |   |   |   |   | 6 | 7 | 8  |    |    |    |    |    | 11 |    |          | SALEABLE |                                      | N/A                    | N/A                   | N/A                      | N/A | N/A |     |     |     |
| KEY B, LIGHT GRAY, W/O CPA | 33472-1815           | B-LG  | GC          | PLR |     | M        | R         |  |   |   |   |   |   |   |   |    |    |    |    |    |    | 11 | 12 | 13       | 14       | 15                                   | 16                     | SALEABLE              |                          | N/A | N/A | N/A | N/A | N/A |
| KEY B, LIGHT GRAY, W/O CPA | 33472-1816           | B-LG  | GC          | PLR |     | M        | R         |  |   |   |   |   |   |   |   |    |    |    |    |    |    |    |    |          | SALEABLE |                                      | N/A                    | N/A                   | N/A                      | N/A | N/A | N/A |     |     |
| KEY B, LIGHT GRAY, W/O CPA | 33472-1817           | B-LG  | GC          | PLR |     | M        | R         | 1  | 2 | 3 | 4 | 5 | 6 |   |   |    |    |    |    |    |    |    |    |          | SALEABLE |                                      | N/A                    | N/A                   | N/A                      | N/A | N/A | N/A |     |     |
| KEY A, BLACK, W/O CPA      | 33472-1818           | A-BLK   | GC          | PLR |     | M        | R         |  |   |   |   |   |   |   |   |    |    |    |    |    |    |    |    |          | SALEABLE |                                      | N/A                    | N/A                   | N/A                      | N/A | N/A | N/A |     |     |
| KEY A, BLACK, W/CPA        | 33472-1819           | A-BLK   | GC          | PLR | CPA | M        | R         |  |   |   |   |   |   | 4 | 5 | 6  | 7  | 8  | 9  | 10 | 11 | 12 | 13 | 14       | 15       | 16                                   | SALEABLE               |                       | N/A                      | N/A | N/A | N/A | N/A |     |
| KEY A, BLACK, W/CPA        | 33472-1820           | A-BLK   | GC          | PLR | CPA | M        | R         |  |   |   |   |   |   |   |   |    |    |    |    |    |    |    |    |          |          | SALEABLE                             |                        | N/A                   | N/A                      | N/A | N/A | N/A | N/A |     |
| KEY B, LIGHT GRAY, W/CPA   | 33472-1821           | B-LG  | GC          | PLR | CPA | M        | R         |  |   |   |   |   |   |   |   |    |    |    |    |    |    |    |    |          |          | SALEABLE                             |                        | N/A                   | N/A                      | N/A | N/A | N/A | N/A |     |
| KEY B, LIGHT GRAY, W/CPA   | 33472-1822           | B-LG  | GC          | PLR | CPA | M        | R         |  |   |   |   |   |   |   |   |    |    |    |    |    |    |    |    |          |          | SALEABLE                             |                        | N/A                   | N/A                      | N/A | N/A | N/A | N/A |     |
| KEY B, LIGHT GRAY, W/CPA   | 33472-1823           | B-LG  | GC          | PLR | CPA | M        | R         |  |   |   |   |   |   |   |   |    |    |    |    |    |    |    |    |          |          | SALEABLE                             |                        | N/A                   | N/A                      | N/A | N/A | N/A | N/A |     |
| KEY B, LIGHT GRAY, W/CPA   | 33472-1824           | B-LG  | GC          | PLR | CPA | M        | R         |  |   |   |   |   |   |   |   |    |    |    |    |    |    |    |    |          |          | SALEABLE                             |                        | N/A                   | N/A                      | N/A | N/A | N/A | N/A |     |
| KEY B, LIGHT GRAY, W/CPA   | 33472-1825           | B-LG  | GC          | PLR | CPA | M        | R         |  |   |   |   |   |   |   |   |    |    |    |    |    |    |    |    |          |          | SALEABLE                             |                        | N/A                   | N/A                      | N/A | N/A | N/A | N/A |     |
| KEY A, BLACK, W/O CPA      | 33472-1826           | A-BLK   | GC          | PLR |     | M        | R         | 1  | 2 | 3 | 4 | 5 | 6 |   |   |    |    |    |    |    |    |    |    |          | SALEABLE |                                      | N/A                    | N/A                   | N/A                      | N/A | N/A | N/A |     |     |
| KEY A, BLACK, W/O CPA      | 33472-1827           | A-BLK   | GC          | PLR |     | M        | R         | 1  | 2 | 3 | 4 | 5 | 6 |   |   |    |    |    |    |    |    |    |    |          | SALEABLE |                                      | N/A                    | N/A                   | N/A                      | N/A | N/A | N/A |     |     |
| KEY A, BLACK, W/O CPA      | 33472-1828           | A-BLK   | GC          | PLR |     | M        | R         |  |   |   |   |   |   |   |   |    |    |    |    |    |    |    |    |          | SALEABLE |                                      | N/A                    | N/A                   | N/A                      | N/A | N/A | N/A |     |     |
| KEY A, BLACK, W/O CPA      | 33472-1829           | A-BLK   | GC          | PLR |     | M        | R         | 1  | 2 | 3 | 4 | 5 | 6 |   |   |    |    |    |    |    |    |    |    |          | SALEABLE |                                      | N/A                    | N/A                   | N/A                      | N/A | N/A | N/A |     |     |
| KEY A, BLACK, W/O CPA      | 33472-1830           | A-BLK   | GC          | PLR |     | M        | R         | 1  | 2 | 3 | 4 | 5 | 6 |   |   |    |    |    |    |    |    |    |    |          | SALEABLE |                                      | N/A                    | N/A                   | N/A                      | N/A | N/A | N/A |     |     |
| KEY A, BLACK, W/O CPA      | 33472-1831           | A-BLK   | GC          | PLR |     | M        | R         |  |   |   |   |   |   |   |   |    |    |    |    |    |    |    |    |          | SALEABLE |                                      | N/A                    | N/A                   | N/A                      | N/A | N/A | N/A |     |     |
| KEY A, BLACK, W/O CPA      | 33472-1832           | A-BLK   | GC          | PLR |     | M        | R         |  | 2 |   |   |   |   |   |   |    |    |    |    |    |    |    |    |          | SALEABLE |                                      | N/A                    | N/A                   | N/A                      | N/A | N/A | N/A |     |     |
| KEY A, BLACK, W/O CPA      | 33472-1833           | A-BLK   | GC          | PLR |     | M        | R         | 1  | 2 | 3 | 4 | 5 | 6 |   |   |    |    |    |    |    |    |    |    |          | SALEABLE |                                      | N/A                    | N/A                   | N/A                      | N/A | N/A | N/A |     |     |
| KEY A, BLACK, W/O CPA      | 33472-1834           | A-BLK   | GC          | PLR |     | M        |           |  |   |   |   |   |   |   |   |    |    |    |    |    |    |    |    |          |          |                                      |                        |                       |                          |     |     |     |     |     |

















