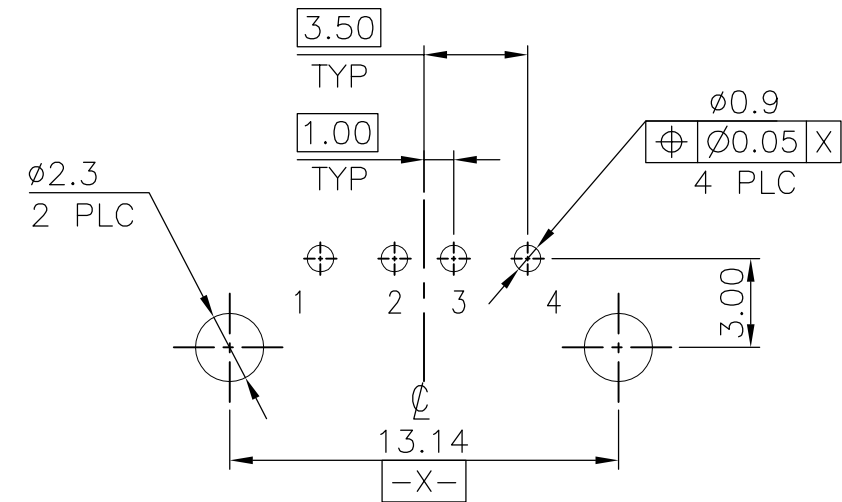
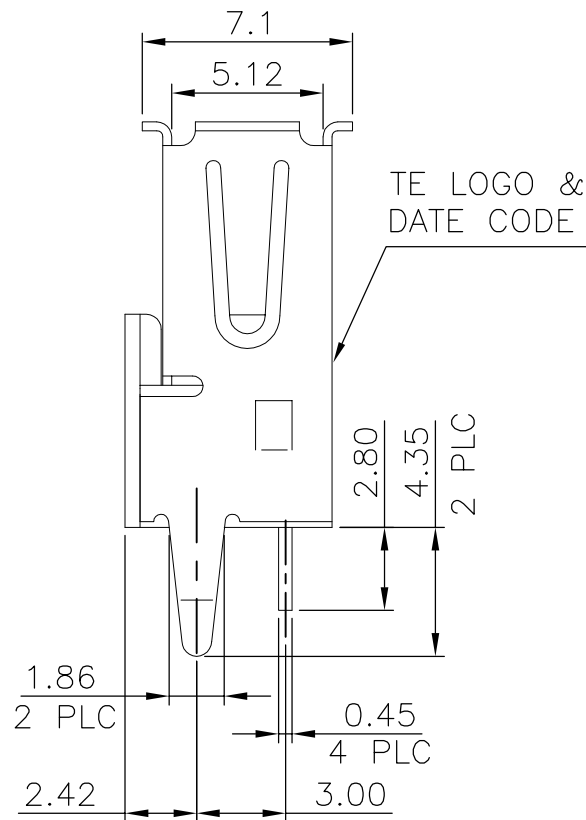
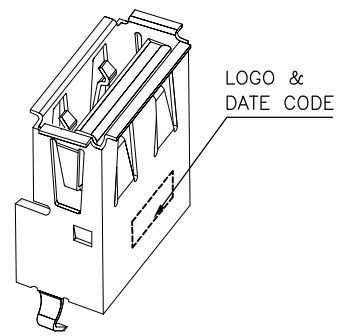
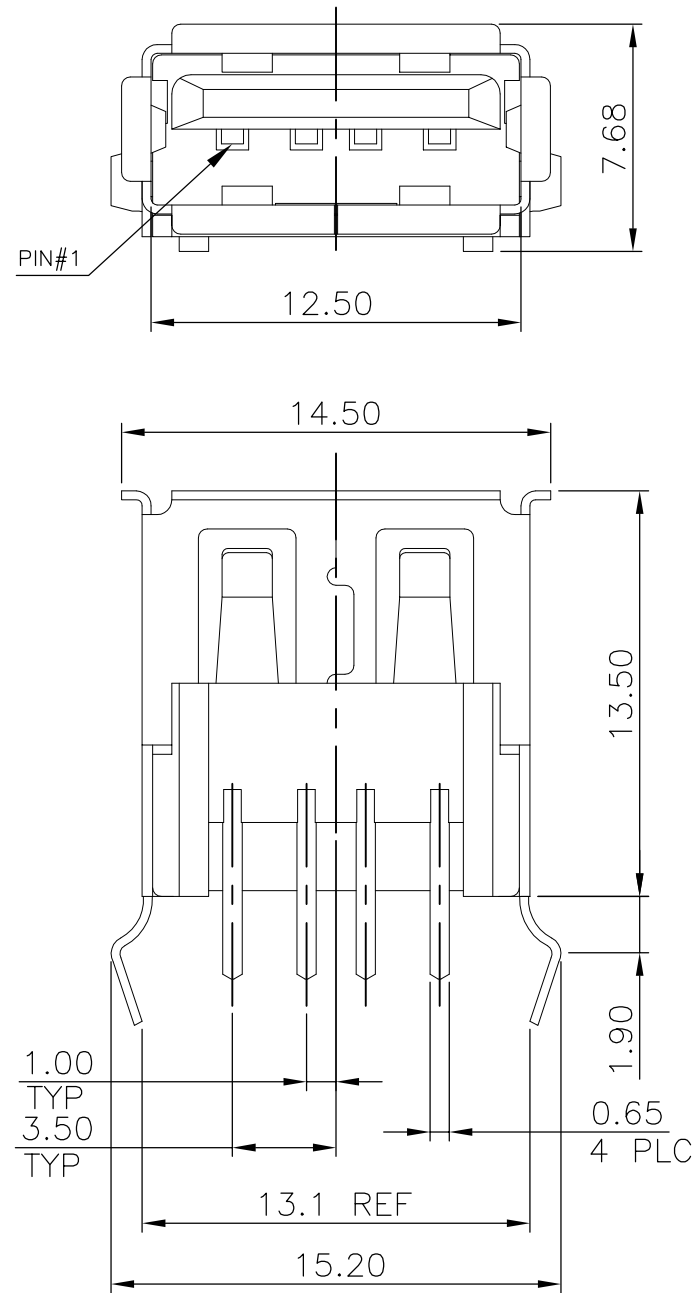
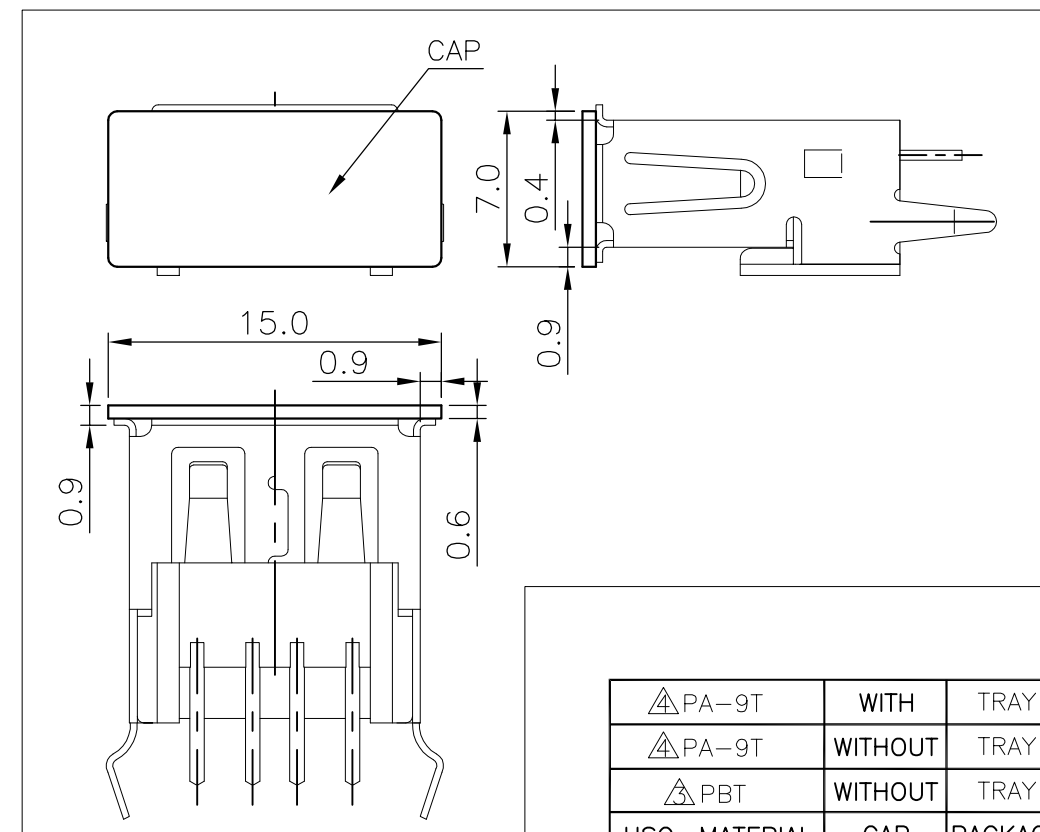


LOC	DIST	REVISIONS			
P	LTR	DESCRIPTION	DATE	DWN	APVD
DW					
	D2	ECR-15-011655	11AUG15	JL	WK



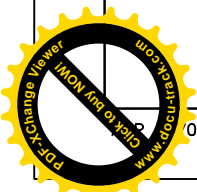
RECOMMEND P.C.B LAYOUT (THICKNESS=1.6mm)  
 (COMPONENT SIDE) TOLERANCE  $\pm 0.05$

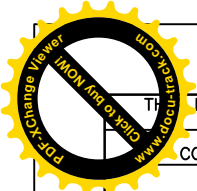


NOTES:

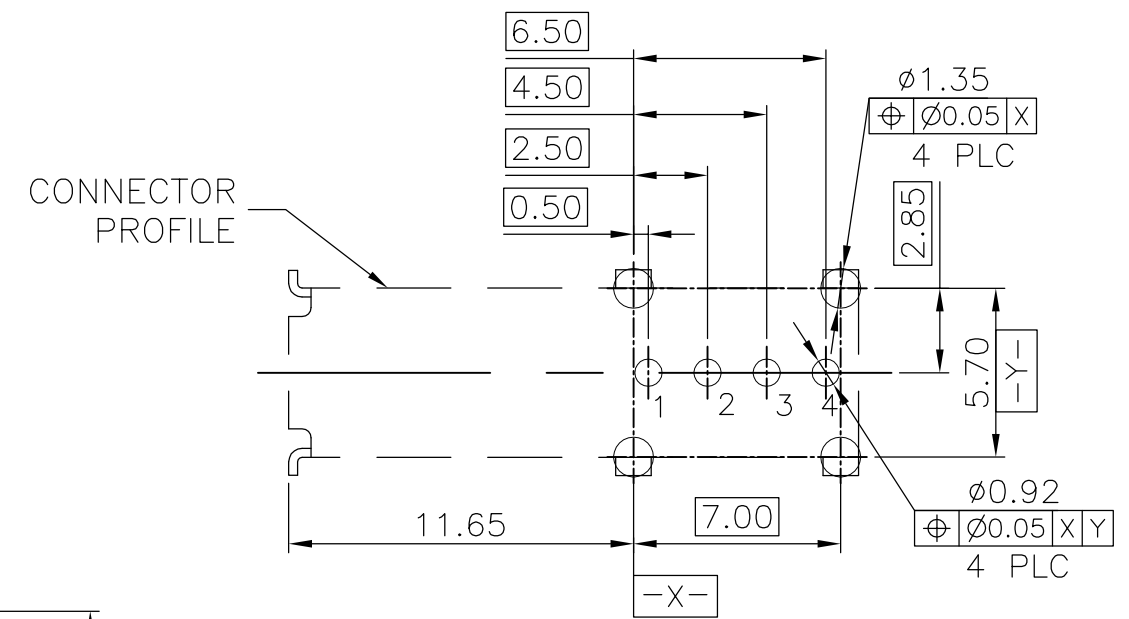
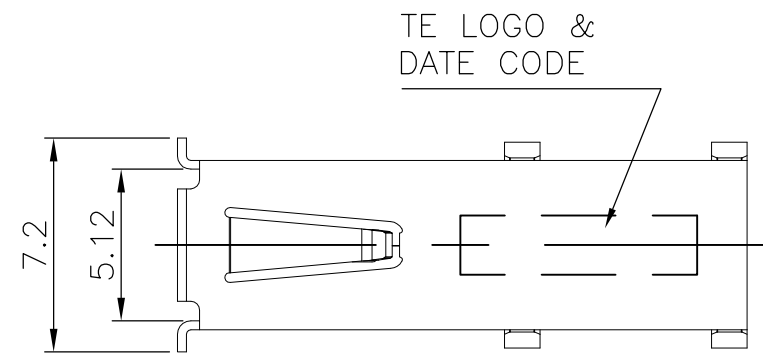
- MATERIAL:  
 HOUSING: THERMOPLASTIC (SEE TABLE), WITH 30% GF. UL 94V-0 RATED, BLACK COLOR.  
 CAP: THERMOPLASTIC HIGH TEMP WITH 30%GF, UL 94V-0, WHITE COLOR.  
 CONTACT: PHOSPHOR BRONZE.  
 SHIELD: BRASS.
- FINISH :  
 CONTACT: 0.762 $\mu$ m [30 $\mu$ "] MIN. GOLD PLATING ON CONTACT AREA.  
 3.048 $\mu$ m [120 $\mu$ "] MIN. MATTE-TIN PLATING ON SOLDER TAILS.  
 WITH ENTIRE CONTACT UNDERPLATED 1.27 $\mu$ m [50 $\mu$ "] MIN. NICKEL  
 SHIELD: 0.762 $\mu$ m [30 $\mu$ "] MIN. NICKEL PLATING WITH  
 0.762 $\mu$ m [30 $\mu$ "] MIN. Cu UNDERPLATING OVERALL
- WAVE SOLDER CAPABLE TO 240°C PER TE TEST SPEC. 109-202, CONDITION A.
- REFLOW SOLDER CAPABLE TO 260°C PER TE TEST SPEC. 109-201, CONDITION B.
- TID NUMBER IS 61000806 FOR USB 2.0 SPEC.

THIS DRAWING IS A CONTROLLED DOCUMENT.		DWN	O. HU	18MAR2005	TE Connectivity NAME USB CONNECTOR, A SERIES, VERTICAL, DIP TYPE			
DIMENSIONS: MM		CHK	S. HOU	18MAR2005				
TOLERANCES UNLESS OTHERWISE SPECIFIED:		APVD	W.J. KE	18MAR2005				
0 PLC $\pm -$ 1 PLC $\pm 0.35$ 2 PLC $\pm 0.25$ 3 PLC $\pm 0.15$ 4 PLC $\pm -$ ANGLES $\pm 3'$		PRODUCT SPEC		108-57549				
MATERIAL		APPLICATION SPEC		501-57638	SIZE	CAGE CODE	DRAWING NO	RESTRICTED TO
SEE NOTE		FINISH		SEE NOTE	A3	00779	C=1734085	
		CUSTOMER DRAWING		SCALE	SHEET		1 OF 9	REV D2



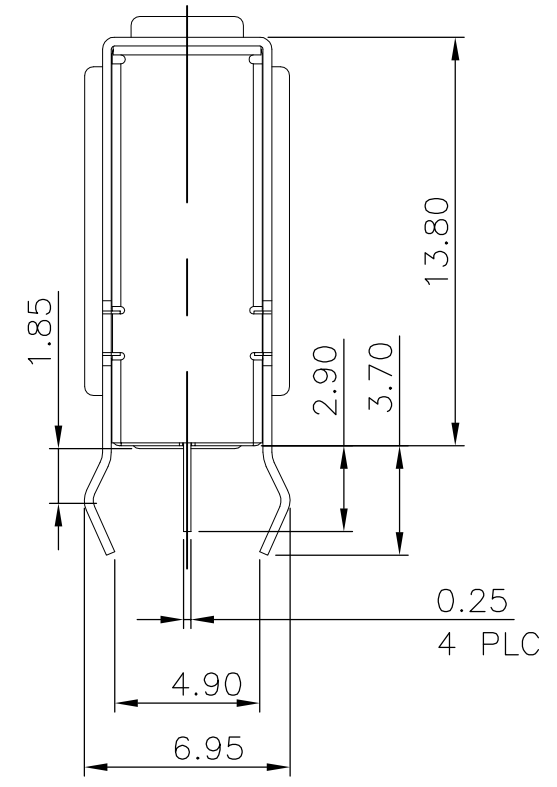
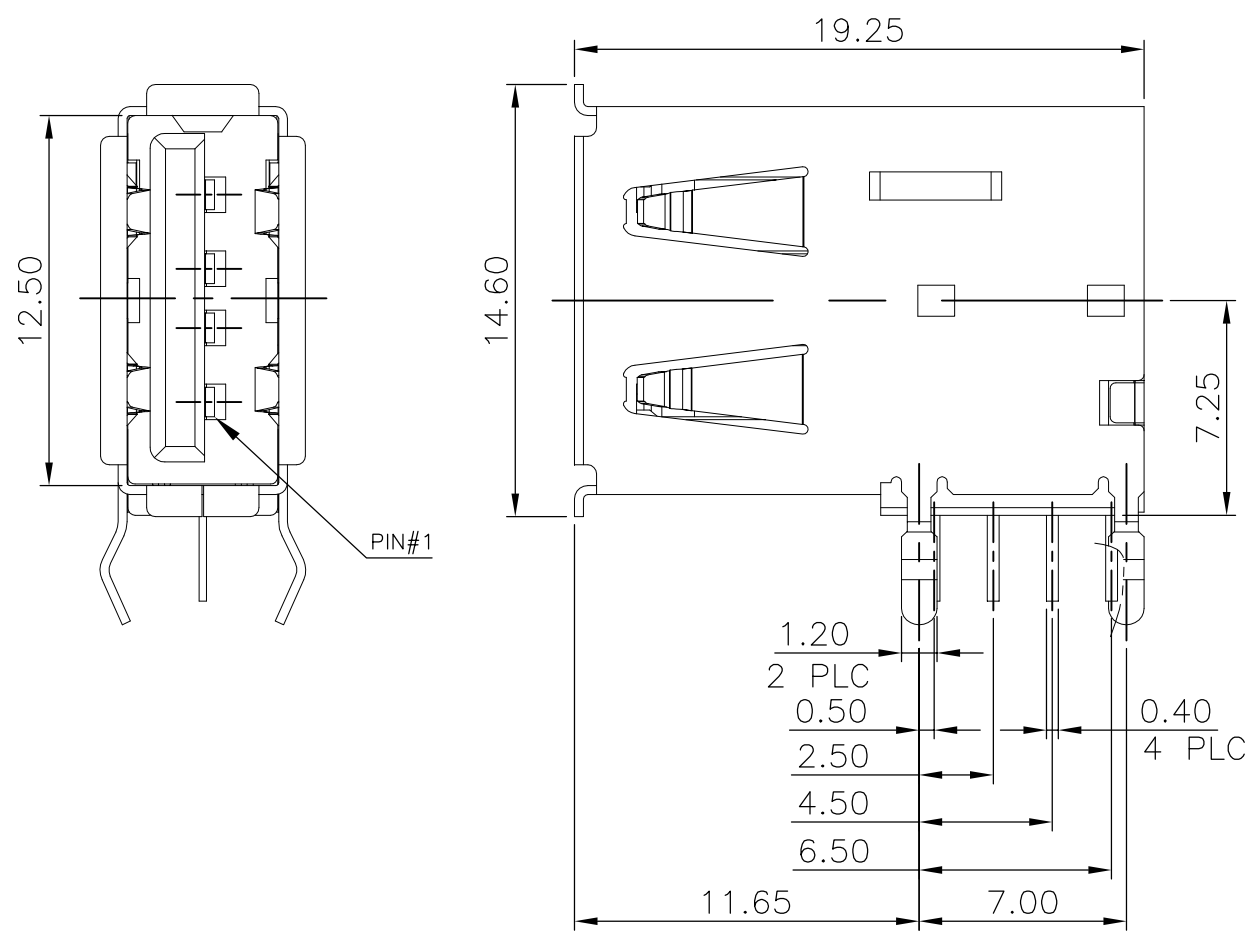


LOC	DIST	REVISIONS			
P	LTR	DESCRIPTION	DATE	DWN	APVD
		SEE SHEET 1.			



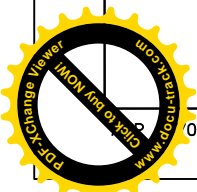
RECOMMEND P.C.B LAYOUT (THICKNESS 1.6mm)  
(COMPONENT SIDE) TOLERANCE ±0.05

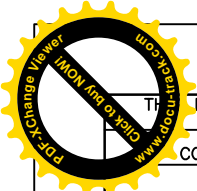
- NOTES :
- MATERIAL:  
HOUSING: THERMOPLASTIC (SEE TABLE), WITH 30% GF. UL94V-0 RATED, BLACK COLOR  
CONTACTS: PHOSPHOR BRONZE.  
SHIELD: BRASS.  
REAR SHIELD: SPCC.
  - FINISH:  
CONTACT: 0.762µm [30µ"] MIN. GOLD PLATING ON CONTACT AREA  
3.048µm [120µ"] MIN. BRIGHT TIN PLATING ON SOLDER TAILS WITH ENTIRE CONTACT UNDERPLATED 1.27µm [50µ"] MIN. NICKEL  
SHIELD: 0.762µm [30µ"] MIN. NICKEL PLATING WITH 0.762µm [30µ"] MIN. Cu UNDERPLATING OVERALL
  - WAVE SOLDER CAPABLE TO 240°C PER TE TEST SPEC. 109-202, CONDITION A.
  - REFLOW SOLDER CAPABLE TO 260°C PER TE TEST SPEC. 109-201, CONDITION B.
  - TID NUMBER IS 61000806 FOR USB 2.0 SPEC.
  - LOW HALOGEN SPECIFICATION:  
CHLORINE(Cl): 900ppm MAX.  
BROMINE(Br): 900ppm MAX.



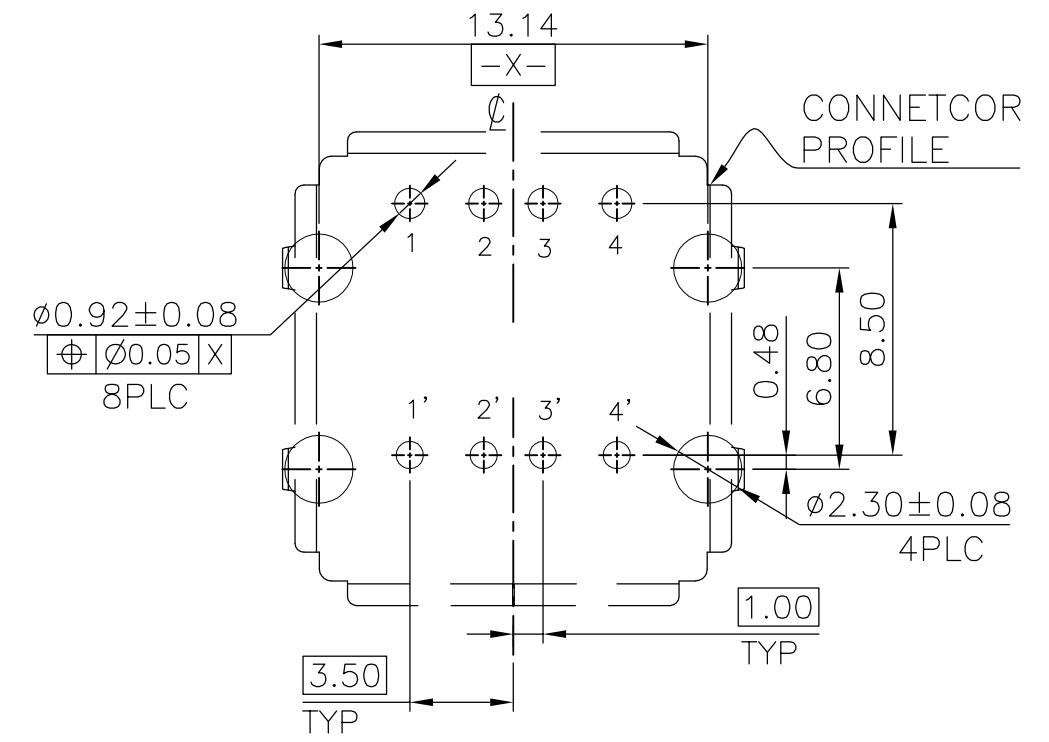
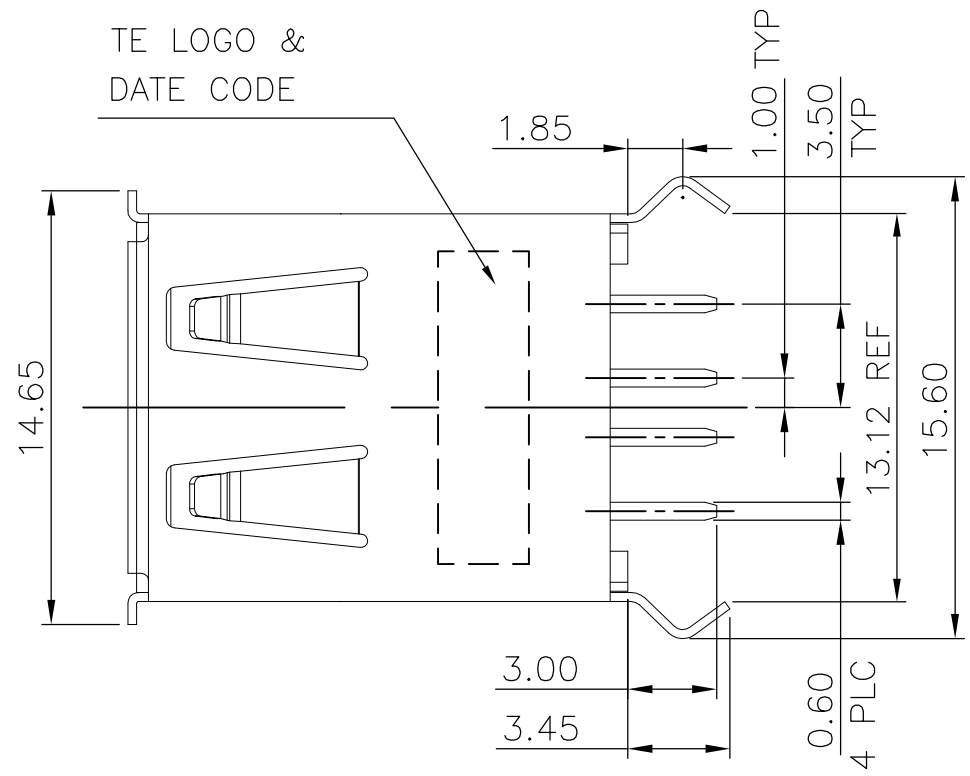
OBSOLETE	⚠️	LCP	TRAY	1-1734085-3
OBSOLETE	⚠️	PA-9T	TRAY	1-1734085-2
OBSOLETE	⚠️	PBT	TRAY	1-1734085-1
		HSG. MATERIAL	PACKAGE	PART NUMBER

THIS DRAWING IS A CONTROLLED DOCUMENT.		DWN	TE Connectivity		
DIMENSIONS: MM		CHK			
TOLERANCES UNLESS OTHERWISE SPECIFIED:		APVD	NAME		
0 PLC ± -		PRODUCT SPEC	USB CONNECTOR, A SERIES, VERTICAL, DIP TYPE		
1 PLC ± 0.35		APPLICATION SPEC			
2 PLC ± 0.25		WEIGHT 2.8 GRAMS	SIZE A3	CAGE CODE 00779	DRAWING NO C-1734085
3 PLC ± 0.15		CUSTOMER DRAWING	RESTRICTED TO		
4 PLC ± -			SCALE -	SHEET 2 OF 9	REV D2
ANGLES ± 3'					
MATERIAL SEE NOTE					
FINISH SEE NOTE					

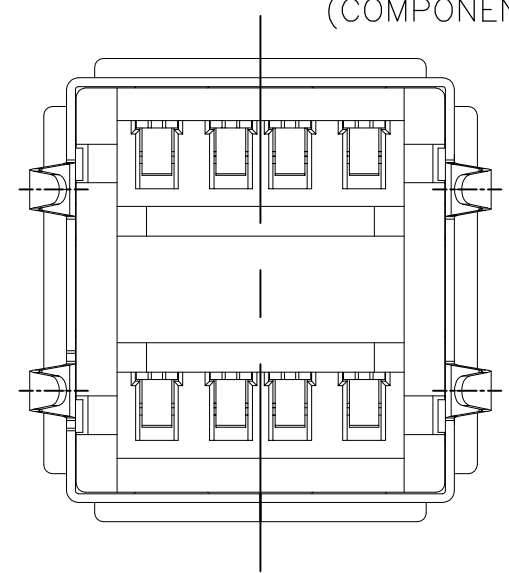
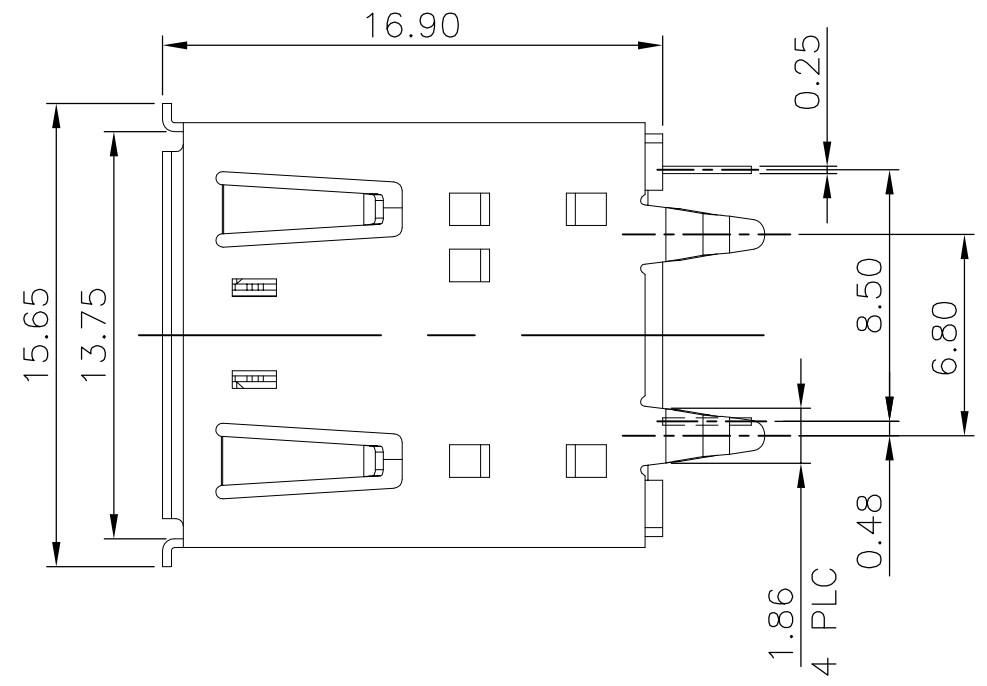
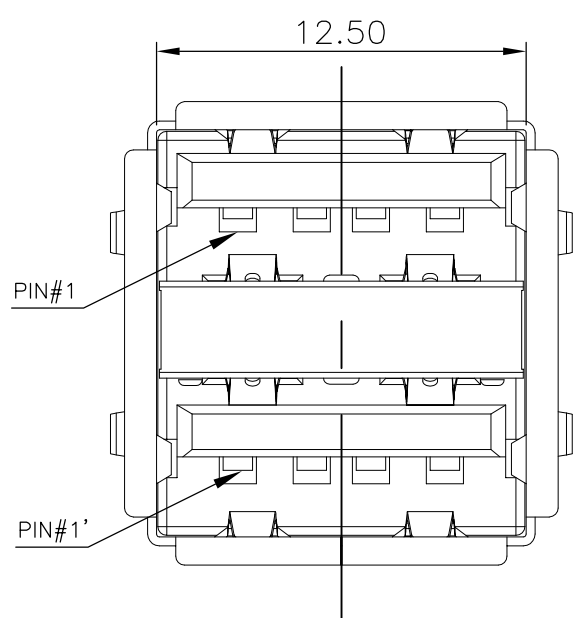




LOC	DIST	REVISIONS			
P	LTR	DESCRIPTION	DATE	DWN	APVD
DW		SEE SHEET 1.			



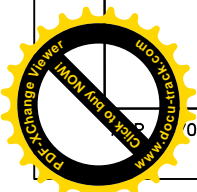
RECOMMEND P.C.B LAYOUT (THICKNESS 1.6mm)  
(COMPONENT SIDE) TOLERANCE ±0.05mm

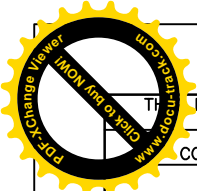


- NOTES:
- MATERIAL:  
HOUSING: THERMOPLASTIC (SEE TABLE), WITH 30% GF. UL 94V-0 RATED, BLACK COLOR  
CONTACT: BRASS.  
SHIELD: BRASS.
  - FINISH:  
CONTACT: 0.762µm [30µ"] MIN. GOLD PLATING ON CONTACT AREA. 3.048µm [120µ"] MIN. BRIGHT TIN PLATING ON SOLDER TAILS WITH ENTIRE CONTACT UNDERPLATED 1.27µm [50µ"] MIN. NICKEL  
SHIELD: 0.762µm [30µ"] MIN. NICKEL PLATING WITH 0.762µm [30µ"] MIN. Cu UNDERPLATING OVERALL
  - WAVE SOLDER CAPABLE TO 240°C PER TE TEST SPEC. 109-202, CONDITION A.
  - REFLOW SOLDER CAPABLE TO 260°C PER TE TEST SPEC. 109-201, CONDITION B.
  - TID NUMBER IS 61000806 FOR USB 2.0 SPEC.

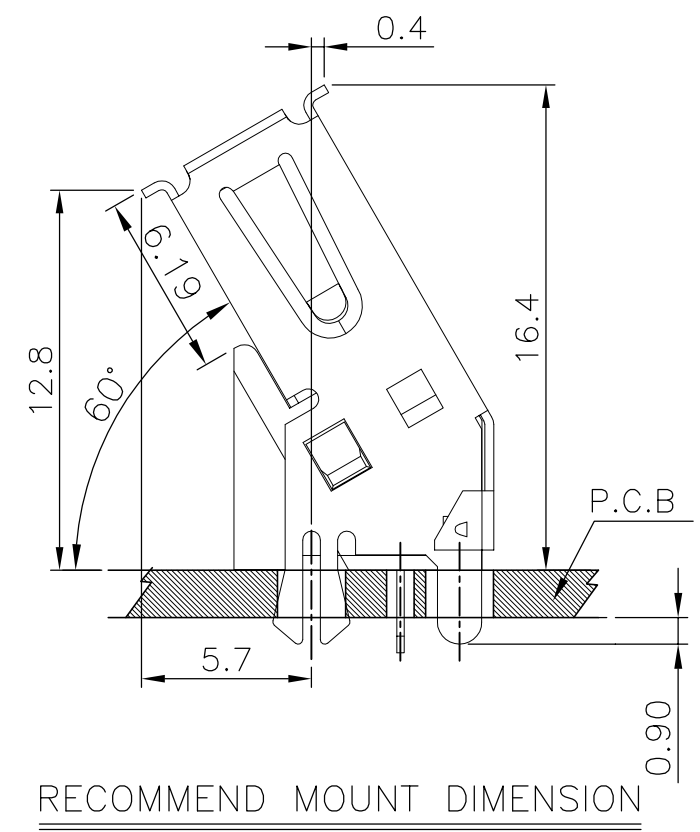
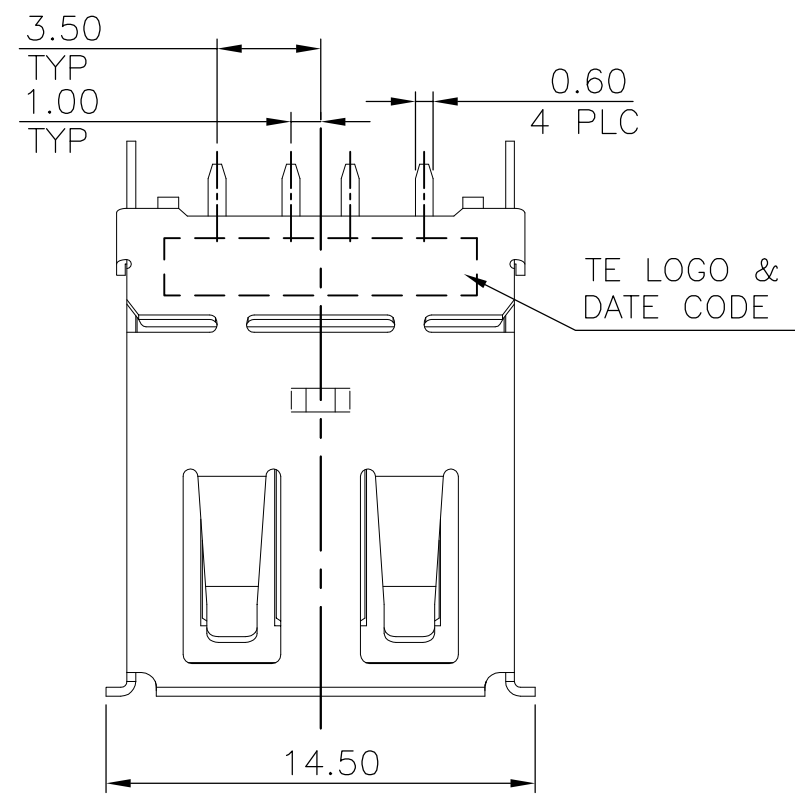
OBSOLETE	PA-9T	TRAY	2-1734085-2
OBSOLETE	PBT	TRAY	2-1734085-1
	HSG. MATERIAL	PACKAGE	PART NUMBER

THIS DRAWING IS A CONTROLLED DOCUMENT.		DWN		TE Connectivity	
DIMENSIONS: MM		CHK			
DIMENSIONS: MM 		APVD		NAME	
TOLERANCES UNLESS OTHERWISE SPECIFIED: 0 PLC ± - 1 PLC ± 0.35 2 PLC ± 0.25 3 PLC ± 0.15 4 PLC ± - ANGLES ± 3°		PRODUCT SPEC		USB CONNECTOR, A SERIES, VERTICAL, DIP TYPE	
MATERIAL SEE NOTE		FINISH SEE NOTE		APPLICATION SPEC	
		WEIGHT 4.57 GRAMS		SIZE A3	CAGE CODE 00779
		CUSTOMER DRAWING		DRAWING NO C=1734085	RESTRICTED TO
		SCALE -		SHEET 3 OF 9	REV D2

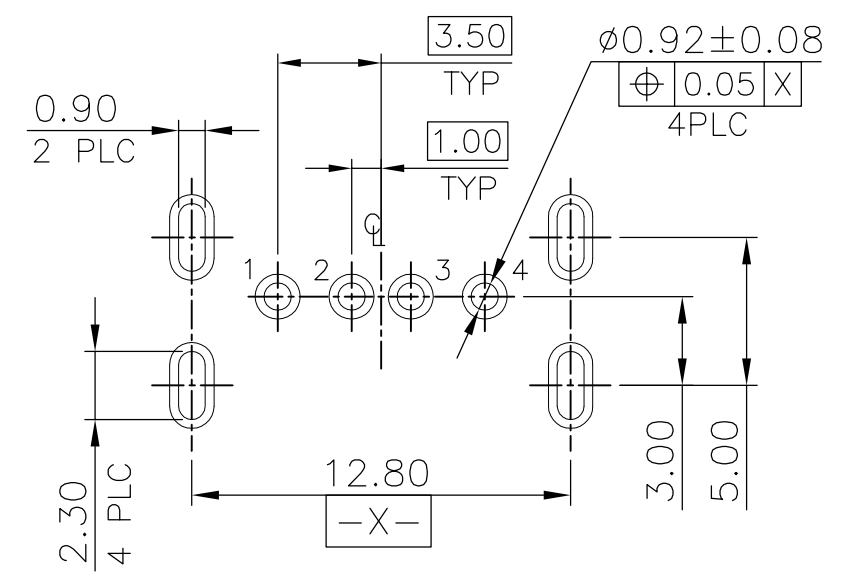
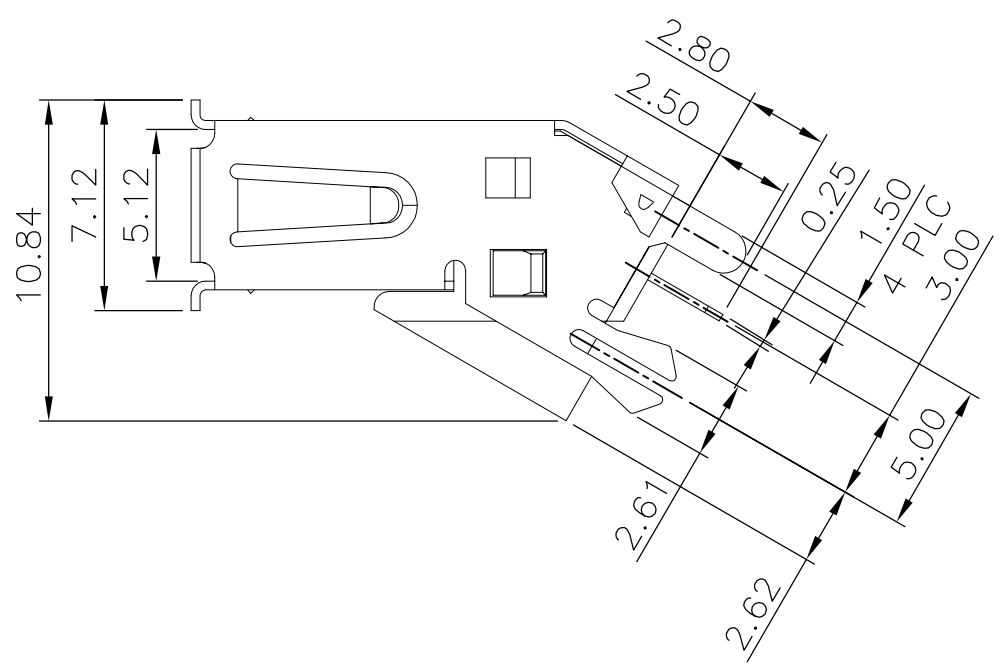
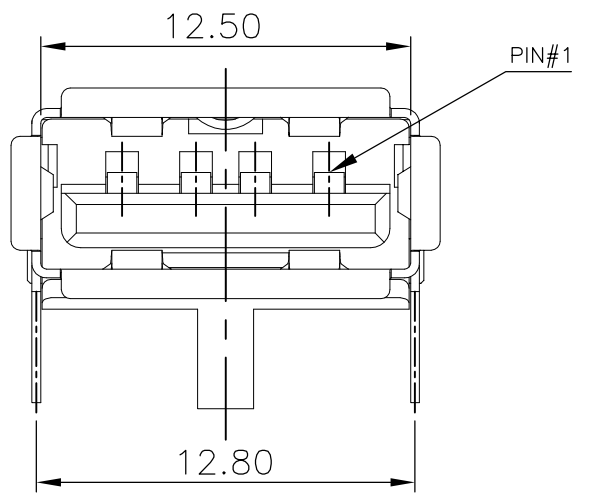




LOC	DIST	REVISIONS			
P	LTR	DESCRIPTION	DATE	DWN	APVD
DW	/	SEE SHEET 1.			



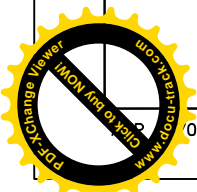
- NOTES:
- MATERIAL:  
HOUSING: THERMOPLASTIC (SEE TABLE), WITH 30% GF. UL 94V-0 RATED, BLACK COLOR  
CONTACT: PHOSPHOR BRONZE.  
SHIELD: BRASS.
  - FINISH:  
CONTACT: 0.762μm [30μ"] MIN. GOLD PLATING ON CONTACT AREA.  
3.048μm [120μ"] MIN. BRIGHT TIN PLATING ON SOLDERTAILS WITH ENTIRE CONTACT UNDERPLATED  
1.27μm [50μ"] MIN. NICKEL  
SHIELD: 0.762μm [30μ"] MIN. NICKEL PLATING WITH 0.762μm [30μ"] MIN. Cu UNDER PLATING OVERALL
- ⚠ WAVE SOLDER CAPABLE TO 240°C PER TE TEST SPEC. 109-202, CONDITION A.  
⚠ REFLOW SOLDER CAPABLE TO 260°C PER TE TEST SPEC. 109-201, CONDITION B.  
5. TID NUMBER IS 61000806 FOR USB 2.0 SPEC.

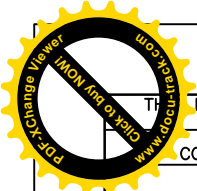


RECOMMEND P.C.B LAYOUT (THICKNESS 1.6mm)  
(COMPONENT SIDE) TOLERANCE ±0.05mm

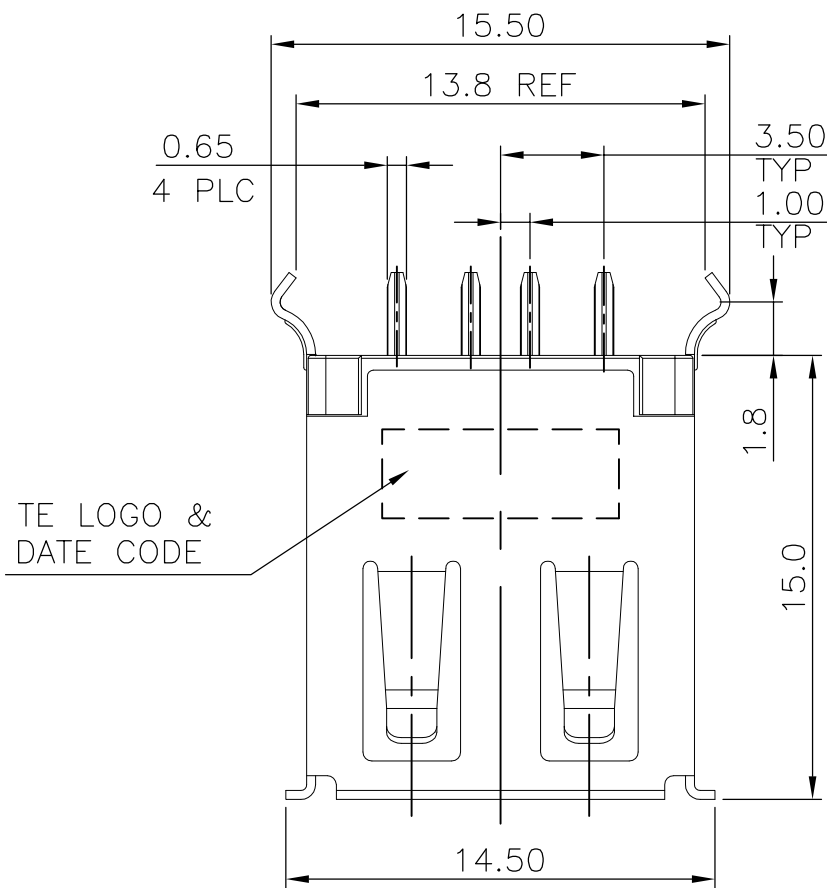
OBSOLETE	⚠ PA-9T	TRAY	3-1734085-2
OBSOLETE	⚠ PBT	TRAY	3-1734085-1
	HSG. MATERIAL	PACKAGE	PART NUMBER

THIS DRAWING IS A CONTROLLED DOCUMENT.		DWN		TE Connectivity	
DIMENSIONS: MM		CHK			
TOLERANCES UNLESS OTHERWISE SPECIFIED:		APVD		NAME	
0 PLC ± - 1 PLC ± 0.35 2 PLC ± 0.25 3 PLC ± 0.15 4 PLC ± - ANGLES ± 3°		PRODUCT SPEC		USB CONNECTOR, A SERIES, VERTICAL, DIP TYPE	
MATERIAL SEE NOTE		FINISH SEE NOTE		APPLICATION SPEC	
		WEIGHT 2.16 GRAMS		SIZE A3	CAGE CODE 00779
		CUSTOMER DRAWING		DRAWING NO. C-1734085	RESTRICTED TO
		SCALE -		SHEET 4 OF 9	REV D2



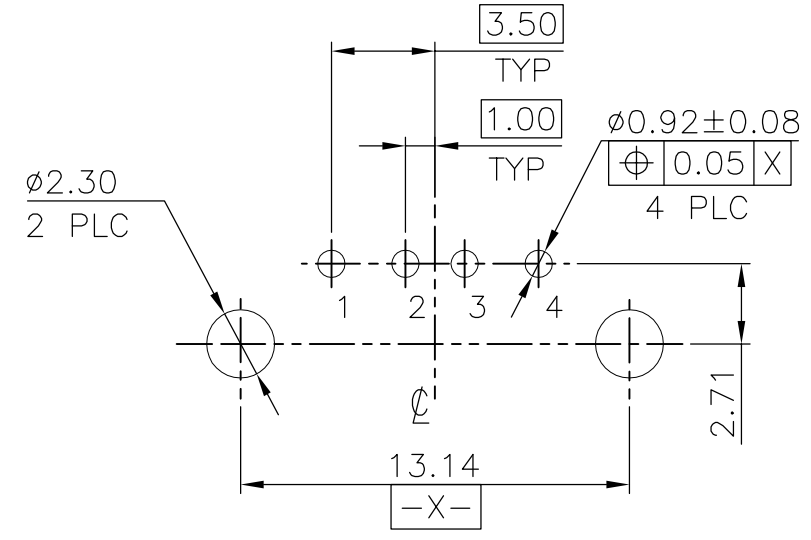
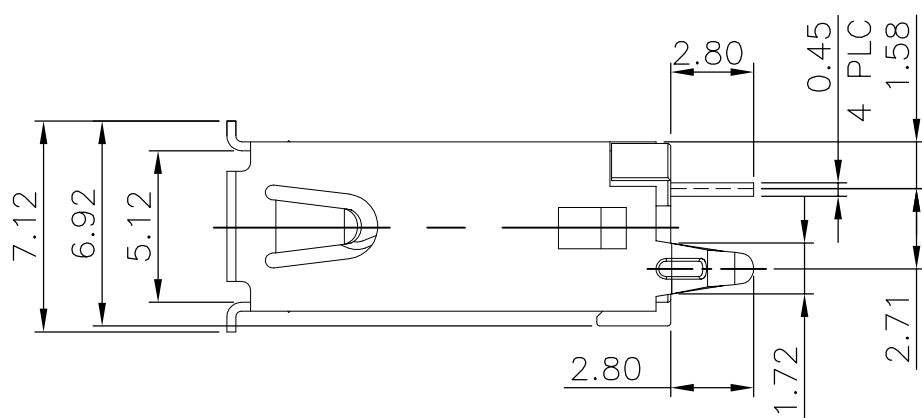
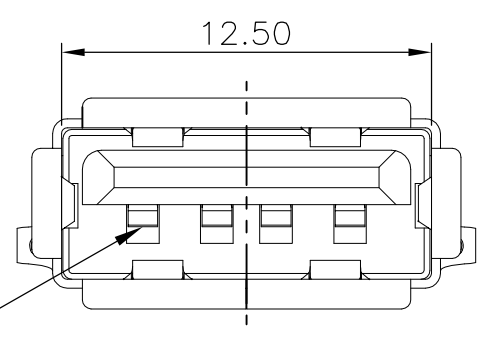


LOC	DIST	REVISIONS					
DW		P	LTR	DESCRIPTION	DATE	DWN	APVD
				SEE SHEET 1.			



TE LOGO & DATE CODE

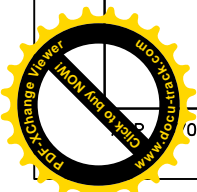
- NOTES:
- MATERIAL:  
HOUSING: THERMOPLASTIC (SEE TABLE), WITH 30% GF.  
UL 94V-0 RATED, BLACK: SEE TABLE.  
CONTACT: PHOSPHOR BRONZE.  
SHIELD: BRASS.
  - FINISH :  
CONTACT: 0.762μm [30μ"] MIN. GOLD PLATING ON CONTACT AREA.  
3.048μm [120μ"] MIN. BRIGHT TIN PLATING ON SOLDER TAILS  
WITH ENTIRE CONTACT UNDERPLATED 1.27μm [50μ"] MIN. NICKEL.  
SHIELD: 0.762μm [30μ"] MIN. NICKEL PLATING WITH  
0.762μm [30μ"] MIN. Cu UNDER PLATING OVERALL
  - WAVE SOLDER CAPABLE TO 240°C PER TE TEST SPEC. 109-202, CONDITION A.
  - REFLOW SOLDER CAPABLE TO 260°C PER TE TEST SPEC. 109-201, CONDITION B.
  - TID NUMBER IS 61000806 FOR USB 2.0 SPEC.

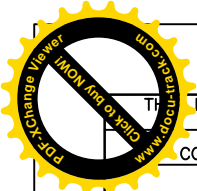


RECOMMEND P.C.B LAYOUT (THICKNESS 1.6mm)  
(COMPONENT SIDE) TOLERANCE ±0.05mm

NATURE	△PA-9T	TRAY	4-1734085-2
WHITE	△PBT	TRAY	4-1734085-1
HSG. COLOR	HSG. MATERIAL	PACKAGE	PART NUMBER

THIS DRAWING IS A CONTROLLED DOCUMENT.		DWN	<b>TE</b> TE Connectivity	
DIMENSIONS: MM		CHK		
TOLERANCES UNLESS OTHERWISE SPECIFIED:		APVD	NAME	
0 PLC ± -		PRODUCT SPEC	USB CONNECTOR, A SERIES, VERTICAL, DIP TYPE	
1 PLC ± 0.35		APPLICATION SPEC		
2 PLC ± 0.25		WEIGHT 1.70 GRAMS	SIZE A3	CAGE CODE 00779
3 PLC ± 0.15		CUSTOMER DRAWING	DRAWING NO C-1734085	RESTRICTED TO
4 PLC ± -			SCALE -	SHEET 5 OF 9
ANGLES ± 3'				REV D2
MATERIAL SEE NOTE				
FINISH SEE NOTE				





4

3

2

1

DRAWING IS UNPUBLISHED. RELEASED FOR PUBLICATION AUG ,2006.  
 COPYRIGHT 2009 BY TYCO ELECTRONICS CORPORATION. ALL RIGHTS RESERVED.

LOC	DIST	REVISIONS				
P	LTR	DESCRIPTION	DATE	DWN	APVD	
DW	/	SEE SHEET 1.				

POLYLONE

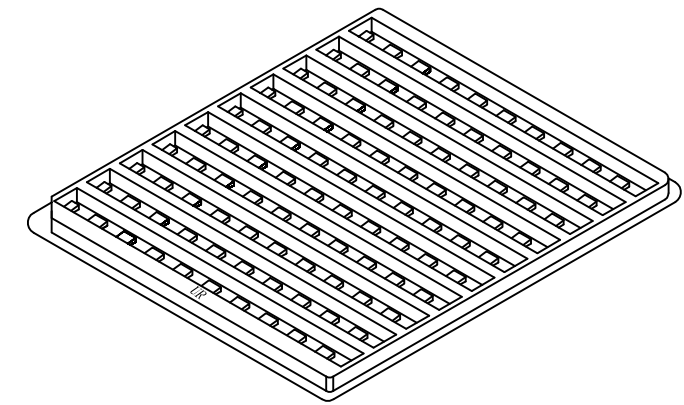
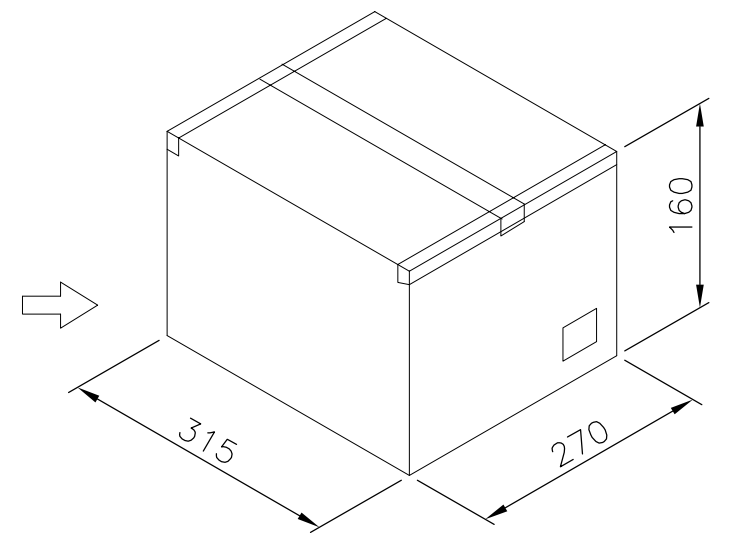
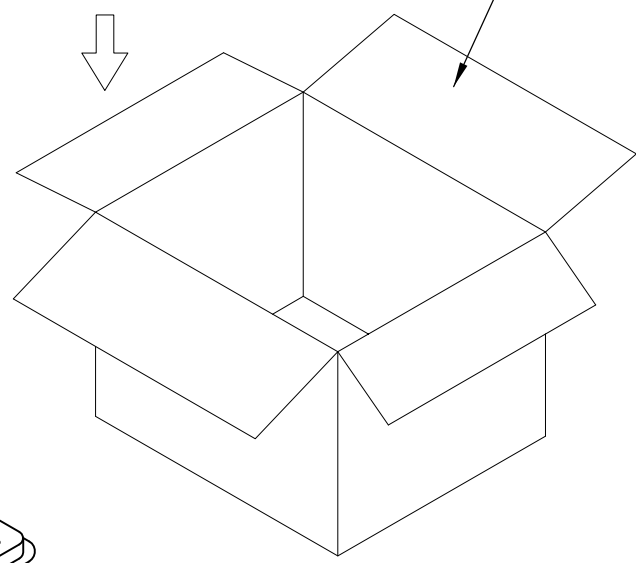
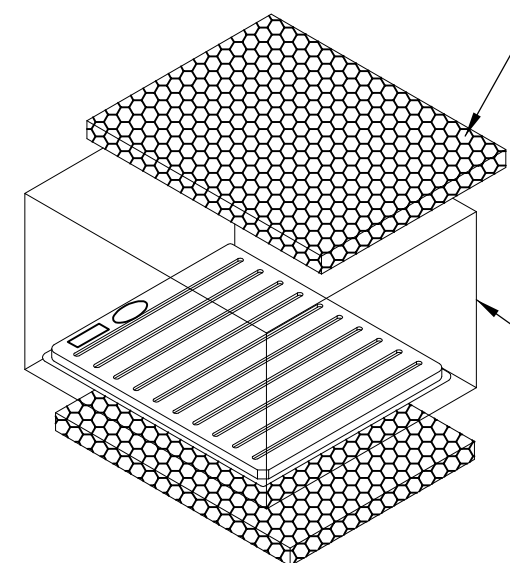
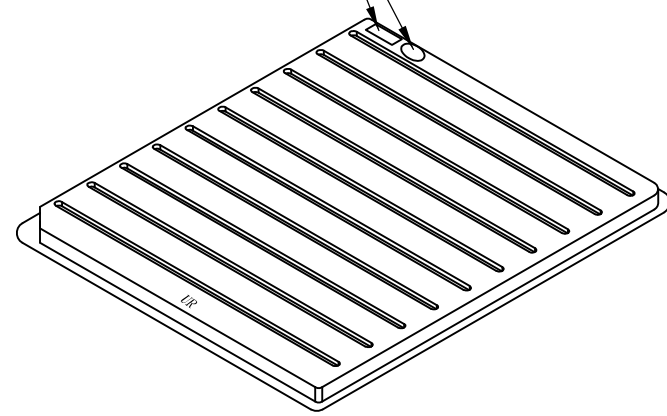
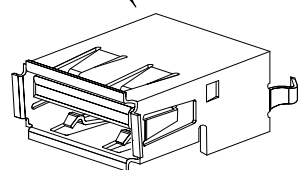
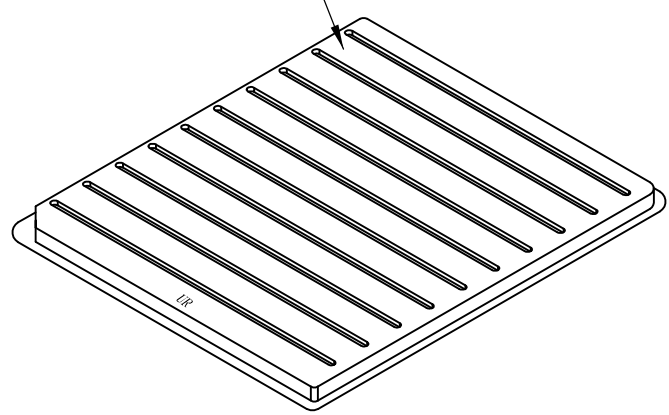
PE POLY

CARTON

TRAY

LABEL

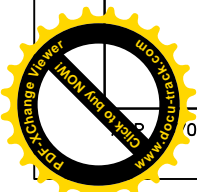
USB

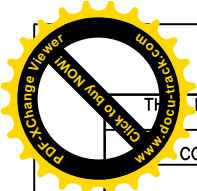


2.89 Kg	1.70 Kg	100	10	1000 PCS	1-1734085-X
GROSS WEIGHT	NET WEIGHT	PCS/TRAY	TRAYS /CARTON	QUANTITY	PART NUMBER
					1734085-2
					1734085-1

THIS DRAWING IS A CONTROLLED DOCUMENT.

DIMENSIONS: MM	TOLERANCES UNLESS OTHERWISE SPECIFIED: 0 PLC ± - 1 PLC ± - 2 PLC ± - 3 PLC ± - 4 PLC ± - ANGLES ± -	DWN CHK APVD PRODUCT SPEC APPLICATION SPEC WEIGHT	TE Connectivity NAME USB CONNECTOR, A SERIES, VERTICAL, DIP TYPE	
MATERIAL	FINISH	CUSTOMER DRAWING	SIZE A3	CAGE CODE 00779
			DRAWING NO 1734085	RESTRICTED TO
			SCALE	SHEET 6 OF 9
				REV D2





4

3

2

1

DRAWING IS UNPUBLISHED.

RELEASED FOR PUBLICATION

AUG ,2006.

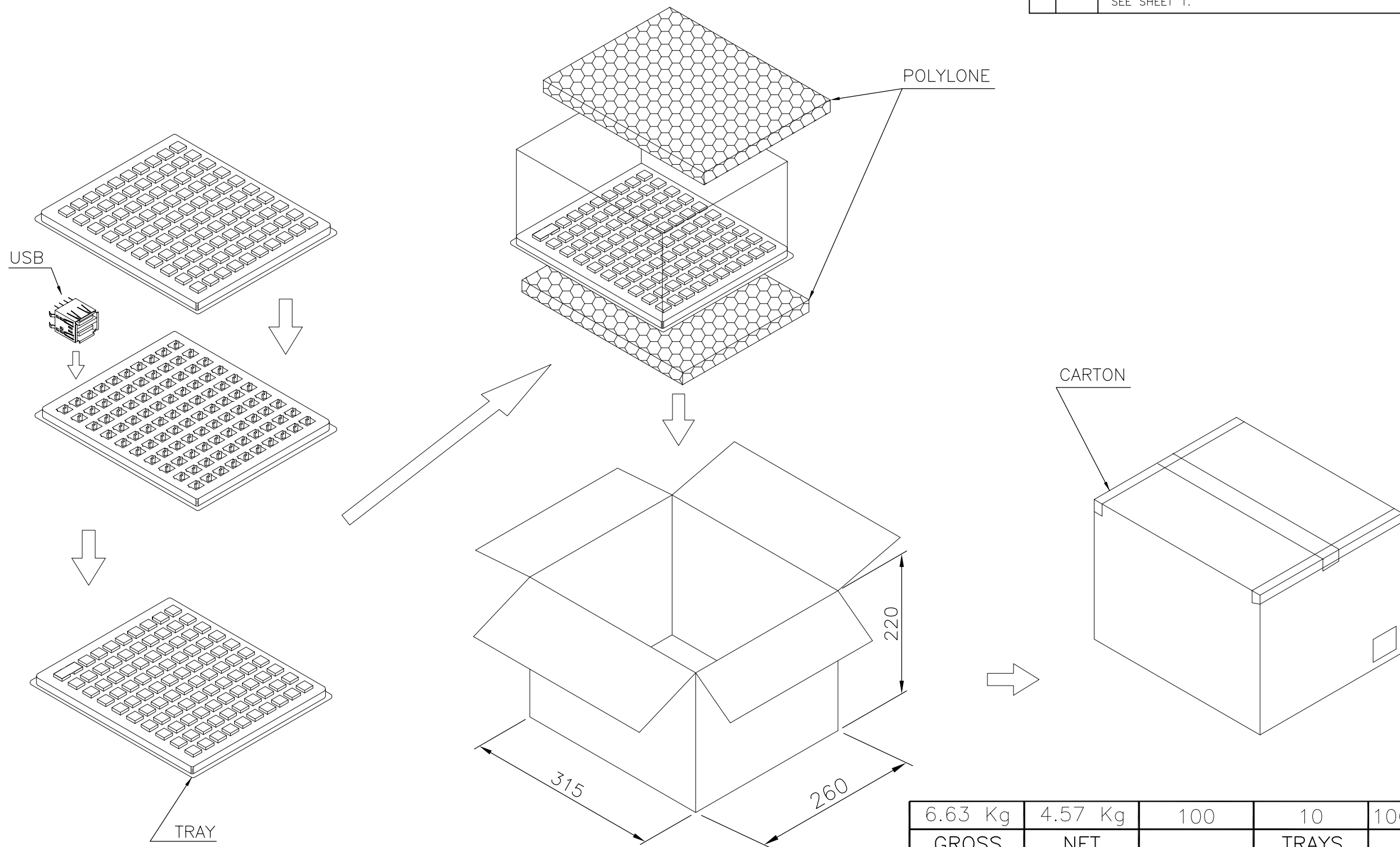
COPYRIGHT 2009 BY TYCO ELECTRONICS CORPORATION. ALL RIGHTS RESERVED.

LOC  
DW

DIST

REVISIONS

P	LTR	DESCRIPTION	DATE	DWN	APVD
		SEE SHEET 1.			

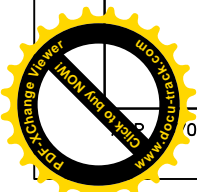


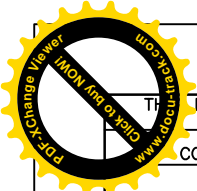
6.63 Kg	4.57 Kg	100	10	1000 PCS	2-1734085-X
GROSS WEIGHT	NET WEIGHT	PCS/TRAY	TRAYS /CARTON	QUANTITY	PART NUMBER

THIS DRAWING IS A CONTROLLED DOCUMENT.

DIMENSIONS: MM	TOLERANCES UNLESS OTHERWISE SPECIFIED:	DWN	TE Connectivity NAME USB CONNECTOR, A SERIES, VERTICAL, DIP TYPE
	0 PLC ± -	CHK	
	1 PLC ± -	APVD	
	2 PLC ± -	PRODUCT SPEC	
	3 PLC ± -	APPLICATION SPEC	SIZE
	4 PLC ± -	WEIGHT	CAGE CODE
MATERIAL	FINISH	CUSTOMER DRAWING	DRAWING NO
			RESTRICTED TO
			SCALE
			SHEET
			REV

A3 00779 C=1734085  
 7 of 9 REV D2





4

3

2

1

DRAWING IS UNPUBLISHED.

RELEASED FOR PUBLICATION

AUG ,2006.

COPYRIGHT 2009 BY TYCO ELECTRONICS CORPORATION.

ALL RIGHTS RESERVED.

LOC

DIST

REVISIONS

DW

P

LTR

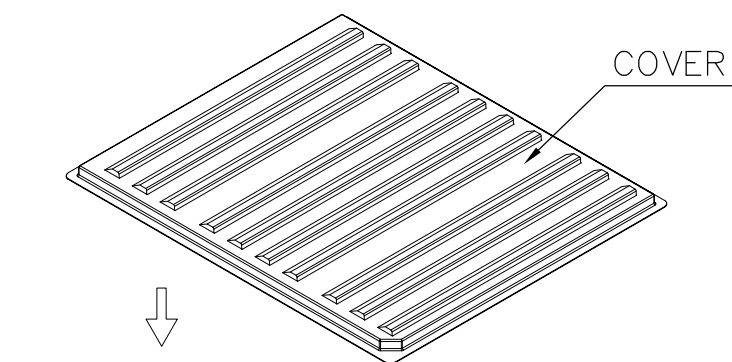
DESCRIPTION

DATE

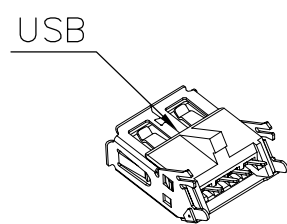
DWN

APVD

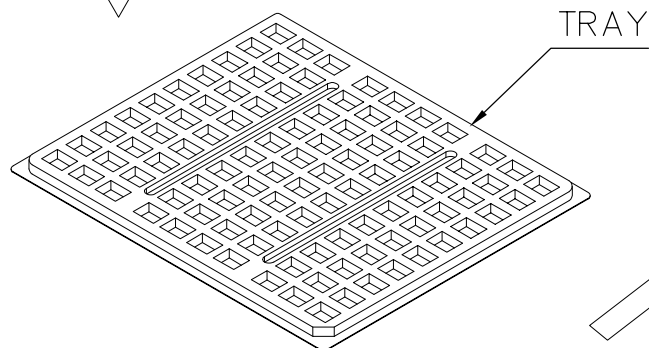
SEE SHEET 1.



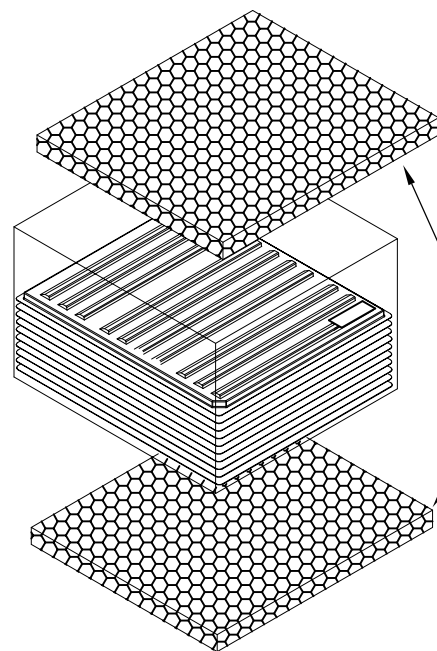
COVER



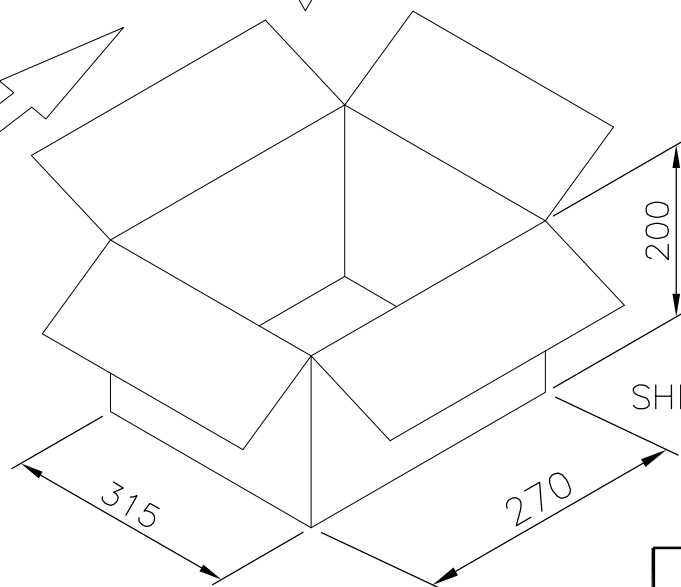
USB



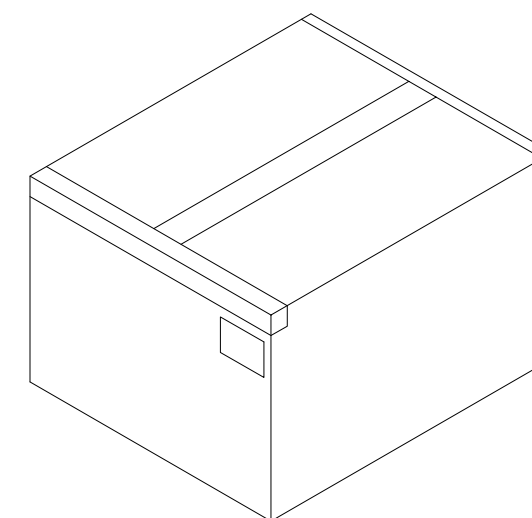
TRAY



POLYSTYRENE  
2PCS/SHIPPING CARTON

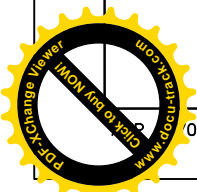


SHIPPING CARTON

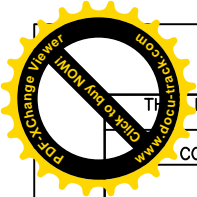


3.35 Kg	2.16 Kg	100	10	1000 PCS	4-1734085-X 3-1734085-X
GROSS WEIGHT	NET WEIGHT	PCS/TRAY	TRAYS /CARTON	QUANTITY	PART NUMBER

THIS DRAWING IS A CONTROLLED DOCUMENT.		DWN		TE Connectivity USB CONNECTOR, A SERIES, VERTICAL, DIP TYPE	
DIMENSIONS: MM		CHK			
		APVD			
TOLERANCES UNLESS OTHERWISE SPECIFIED: 0 PLC ± - 1 PLC ± - 2 PLC ± - 3 PLC ± - 4 PLC ± - ANGLES ± -		PRODUCT SPEC			
MATERIAL		FINISH		NAME	
				APPLICATION SPEC	
				SIZE CAGE CODE DRAWING NO RESTRICTED TO	
				A3 00779 C=1734085	
		CUSTOMER DRAWING		SCALE SHEET 8 OF 9 REV D2	







4

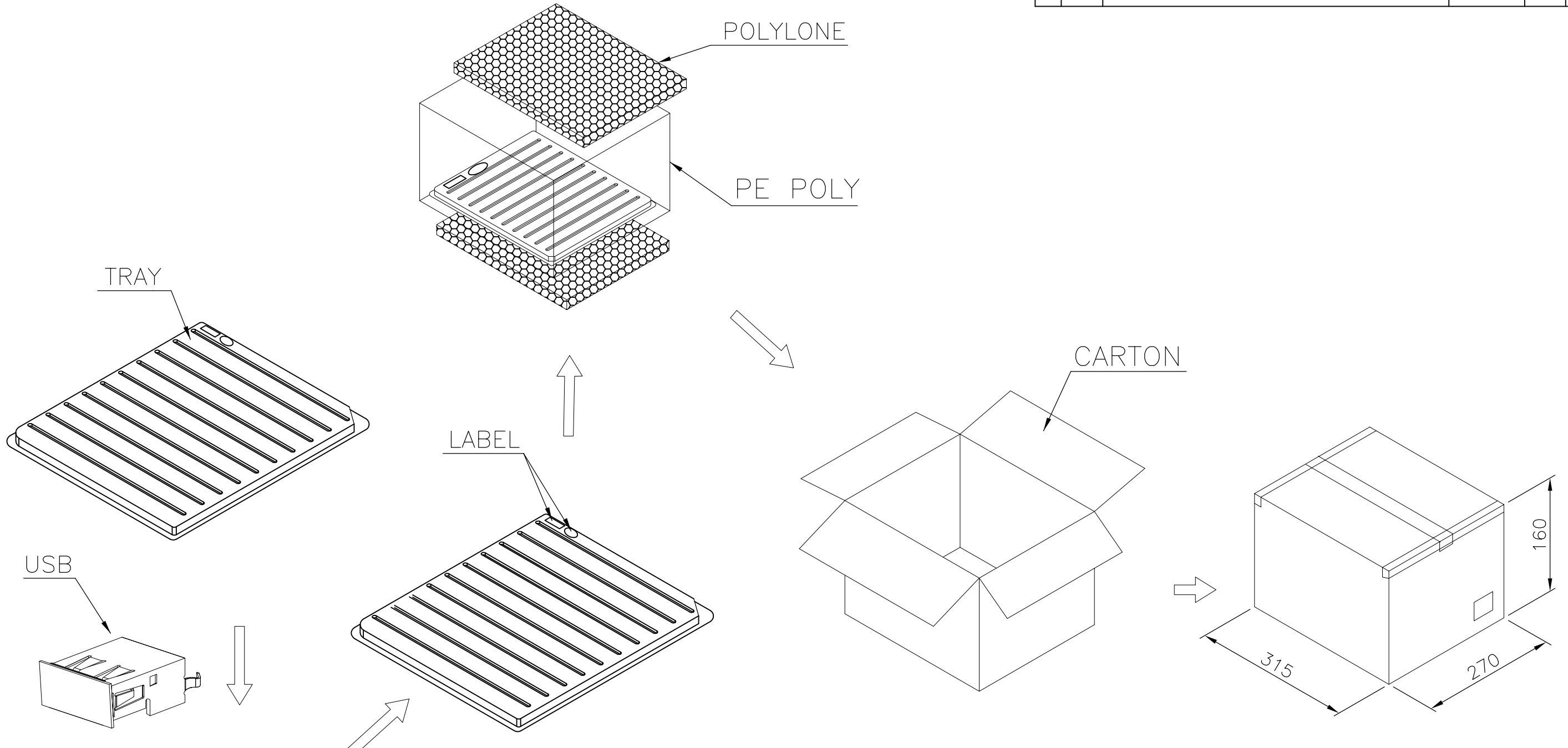
3

2

1

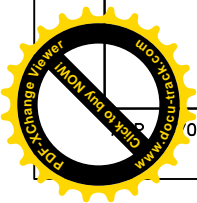
DRAWING IS UNPUBLISHED. RELEASED FOR PUBLICATION AUG ,2006.  
 COPYRIGHT 2009 BY TYCO ELECTRONICS CORPORATION. ALL RIGHTS RESERVED.

LOC	DIST	REVISIONS			
P	LTR	DESCRIPTION	DATE	DWN	APVD
		SEE SHEET 1.			



2.04 Kg	1.85 Kg	100	10	1000 PCS	1734085-3
GROSS WEIGHT	NET WEIGHT	PCS/TRAY	TRAYS /CARTON	QUANTITY	PART NUMBER

THIS DRAWING IS A CONTROLLED DOCUMENT.		DWN	TE Connectivity USB CONNECTOR, A SERIES, VERTICAL, DIP TYPE		
DIMENSIONS: MM		CHK			
		APVD			
TOLERANCES UNLESS OTHERWISE SPECIFIED: 0 PLC ± - 1 PLC ± - 2 PLC ± - 3 PLC ± - 4 PLC ± - ANGLES ± -		PRODUCT SPEC			
MATERIAL	FINISH	APPLICATION SPEC	NAME	SIZE	RESTRICTED TO
		WEIGHT	A3	CAGE CODE 00779	DRAWING NO 1734085
CUSTOMER DRAWING			SCALE	SHEET 9 of 9	REV D2



# Mouser Electronics

Authorized Distributor

Click to View Pricing, Inventory, Delivery & Lifecycle Information:

[TE Connectivity:](#)

[4-1734085-2](#)