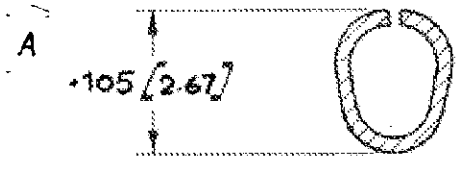
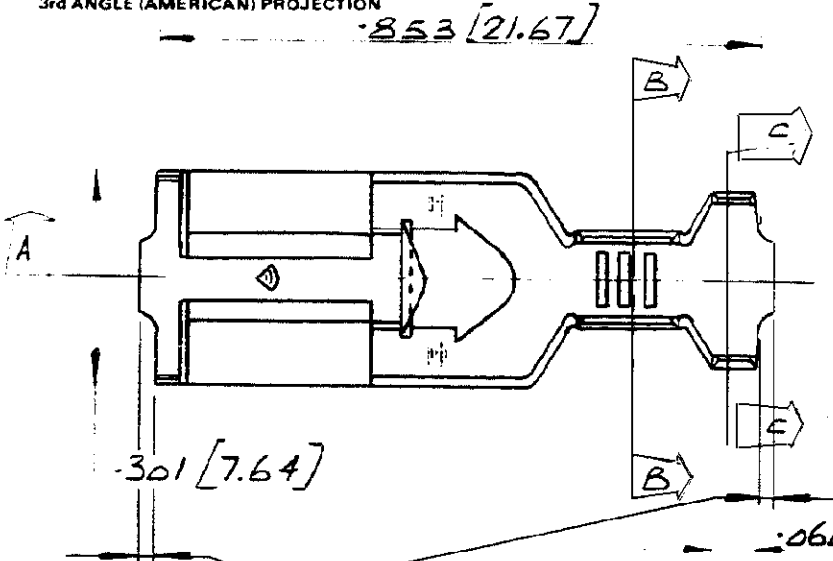


NUMBER C-341412

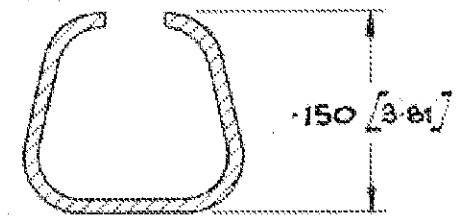
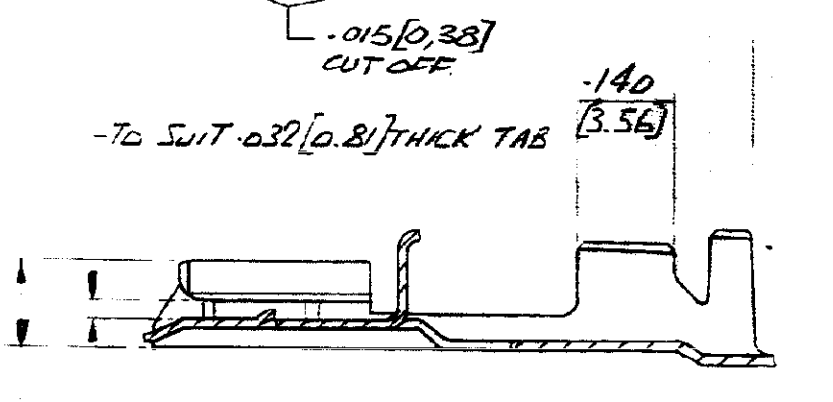
3rd ANGLE (AMERICAN) PROJECTION

DIMENSIONS IN INCHES DO NOT SCALE PRINT DIMENSIONS THUS [] IN MM.



SECTION B-B


WIRE BARREL SECTION B-B
PRE-FORM TO HEIGHT
SHOWN WITH .115 [2.92] 'F'
CRIMPER



SECTION C-C

INSULATION BARREL SECTION C-C
PRE-FORM TO HEIGHT SHOWN WITH .165
[4.19] 'F' CRIMPER

C-341412-5	NICKEL SILVER	NONE
C-341412-4	PHOSPHOR BRONZE	PRE-TIN
C-341412-3	PHOSPHOR BRONZE	NONE
C-341412-2	BRASS	PRE-TIN
C-341412-1	BRASS	NONE
PART NO.	MATERIAL	FINISH

C				TE of GREAT BRITAIN LTD 1978		CUSTOMER COPY REFERENCE ONLY	
A				MATERIAL AND FINISH SEE TABLE		 TE Connectivity	
1		PRELIMINARY ISSUE		JPS	-	3/5/79	
ISS	REVISION RECORD	DR	CHK	DATE		WIRE RANGE - INSULATION 2.5mm ² - 1.5mm ² - 2.1mm ² - 2.9mm ²	
DR	3/5/79 DE		J.P. STOCKWELL		4.12		
CHK	1	APP		TOLERANCE EXCEPT AS NOTED .015 [0.38] - 1:1		SCALE 4:1	LOC/REV/NO E/A/C-341412
				NAME LOOSE PIECE PART POSITIVE LOCK RECEPTACLE MK II (250)			

PRINT DIST.

Mouser Electronics

Authorized Distributor

Click to View Pricing, Inventory, Delivery & Lifecycle Information:

[TE Connectivity:](#)

[341412-1](#)