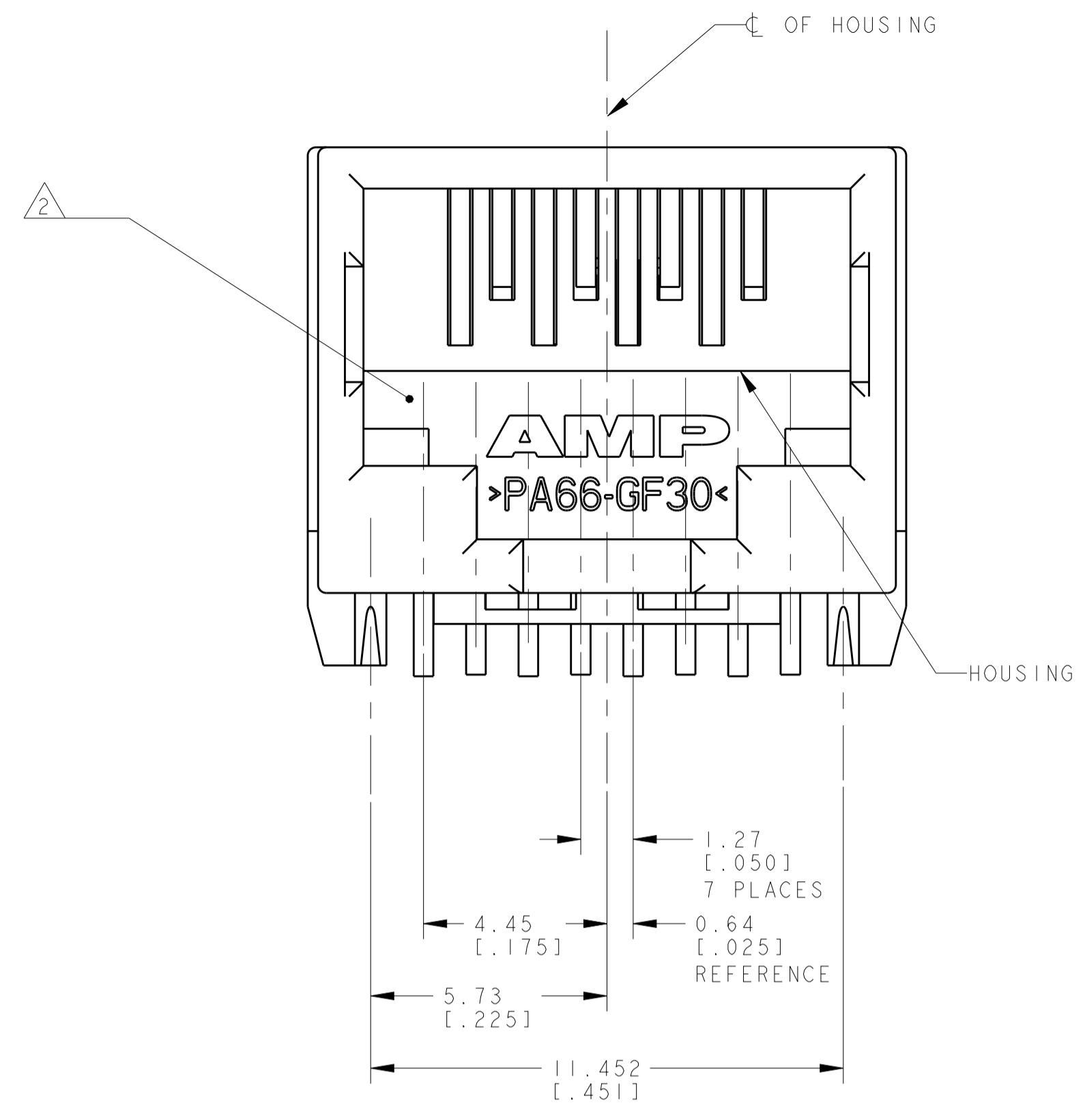
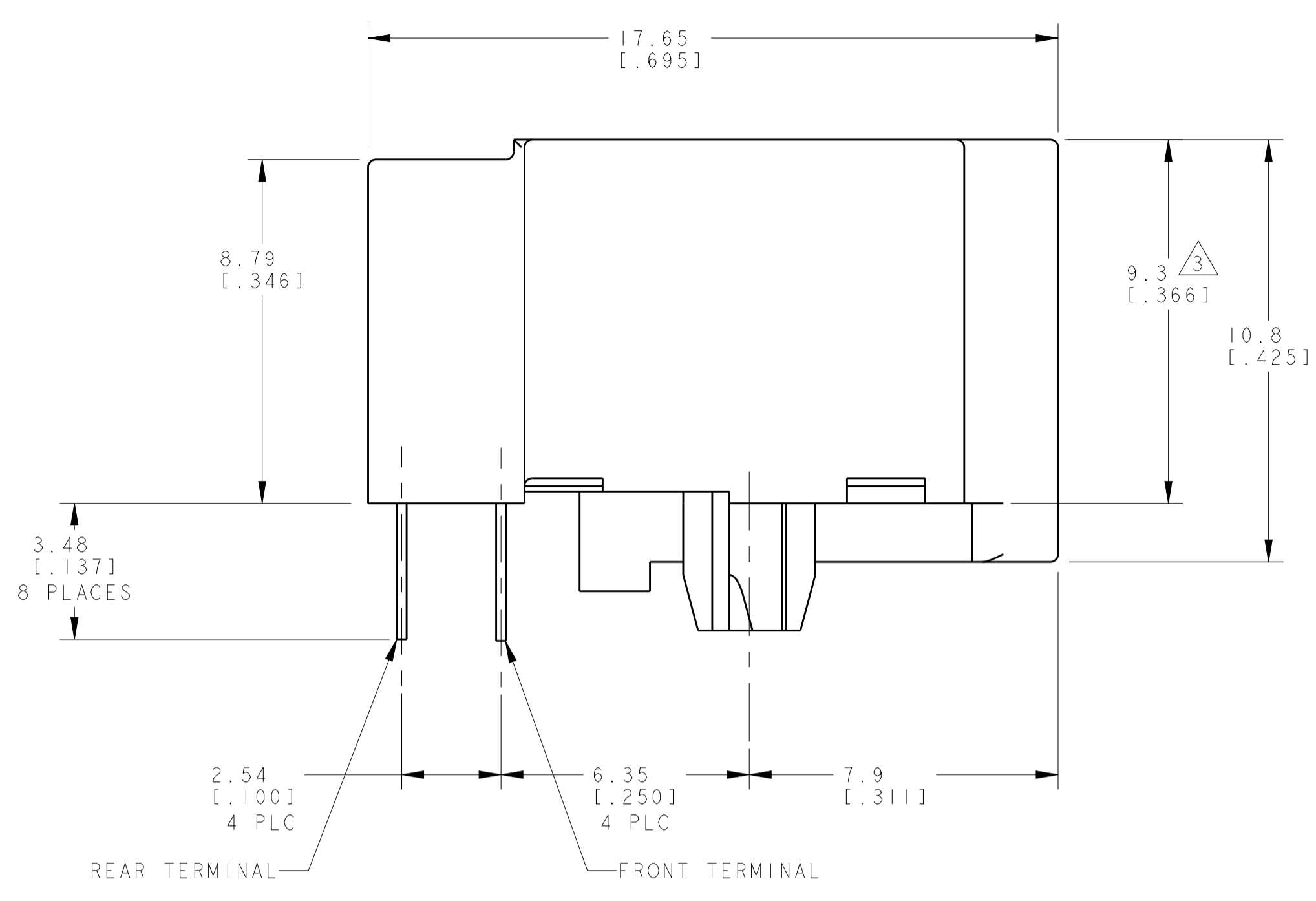
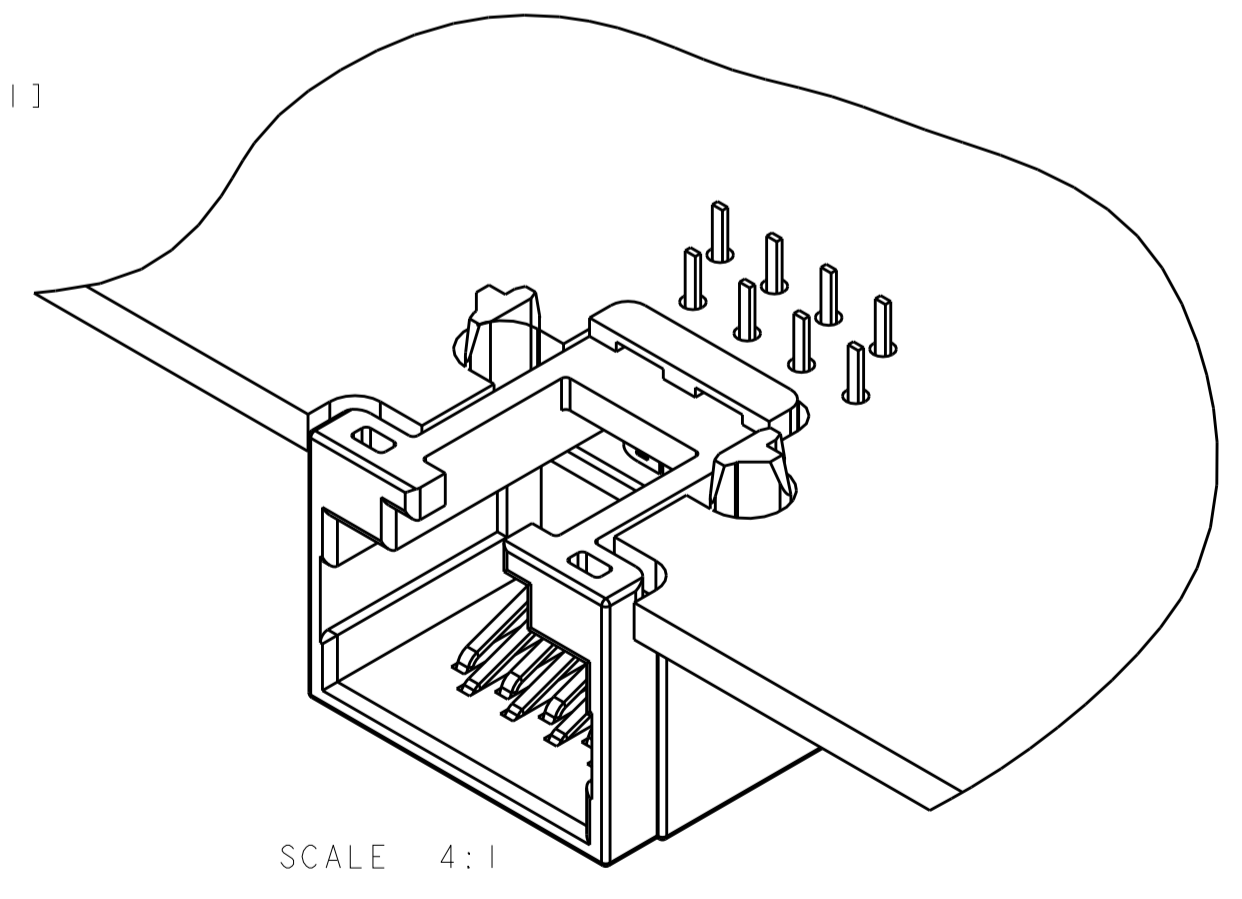
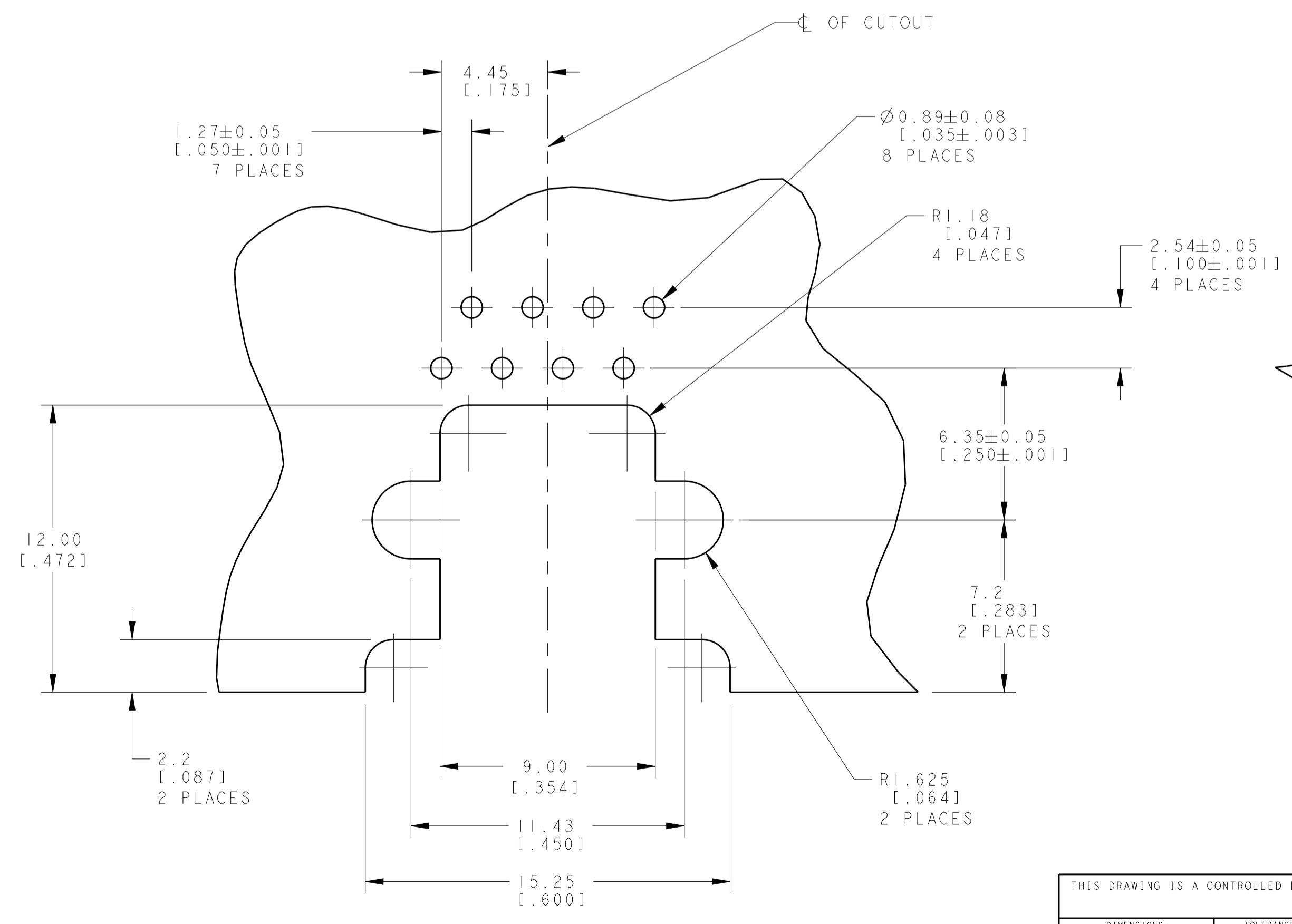
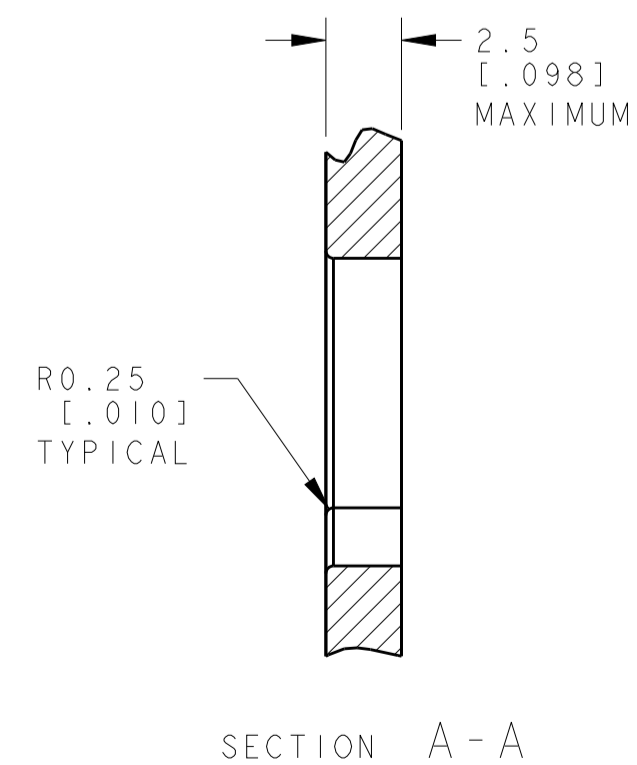
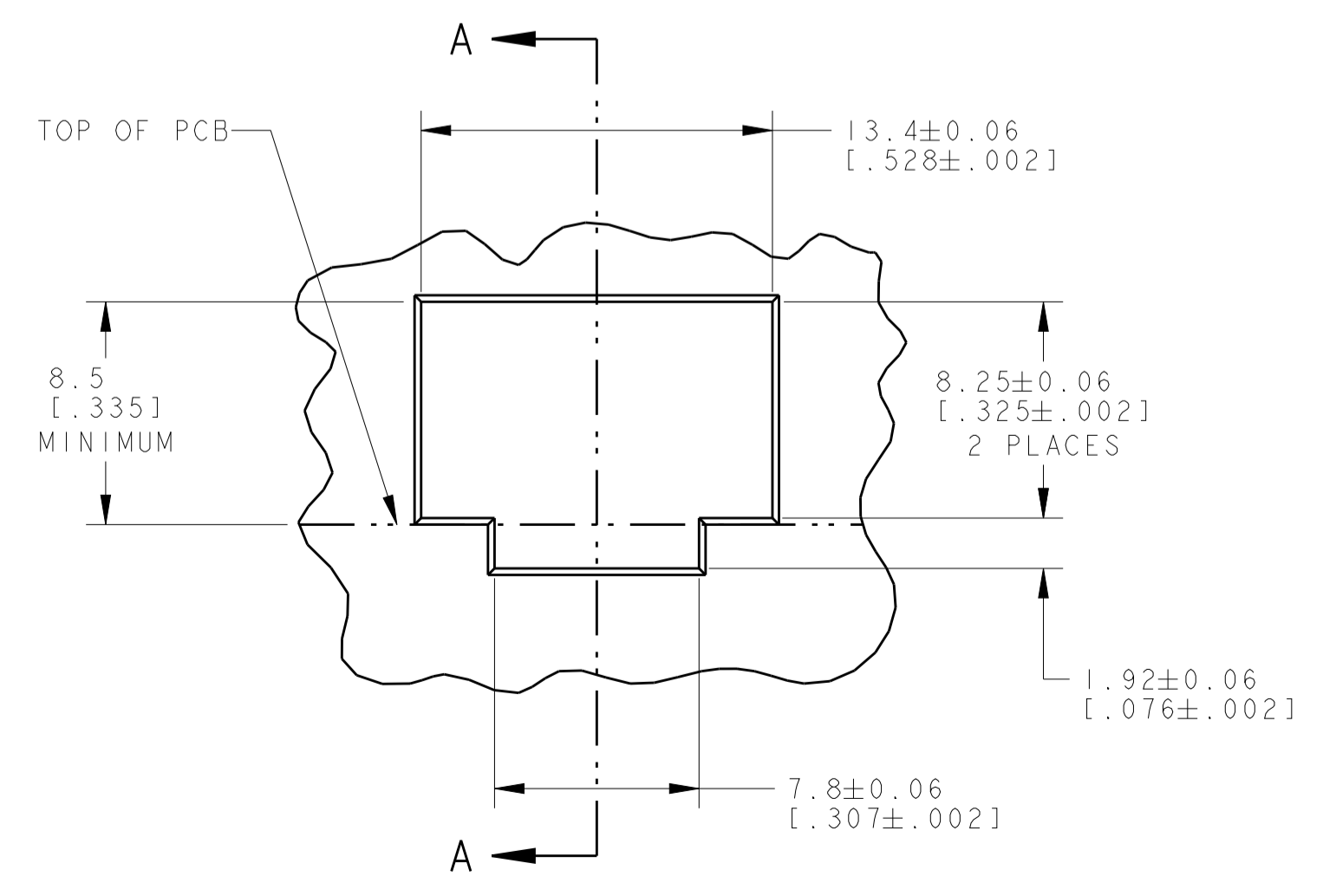
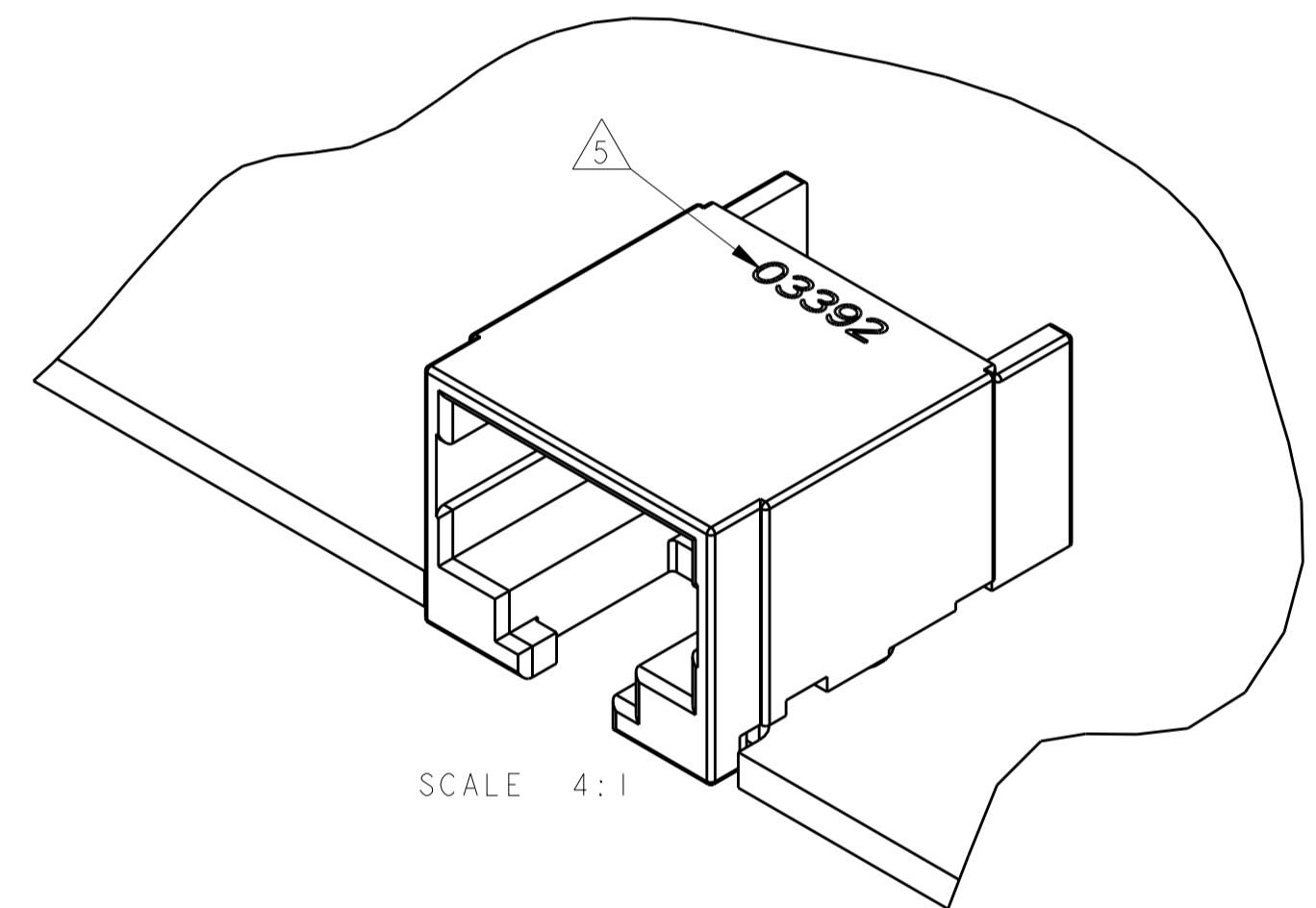
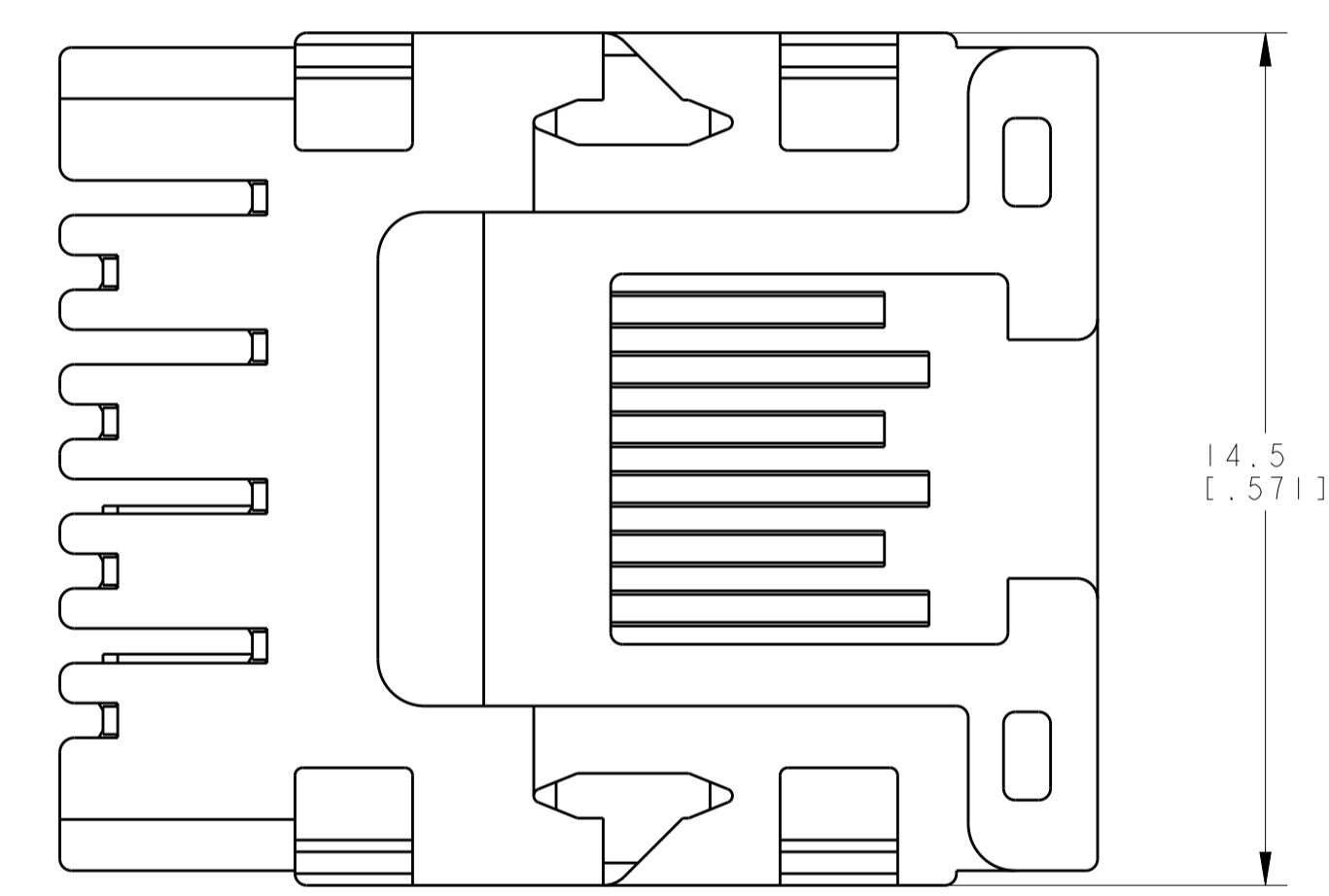


LOC	DIST	REV	DATE	BY	CHK	APPV
AA	22	K1	18MAY2011	RK	HMR	
		L	27APR2015	LL	SH	



- △ MATERIAL: HOUSING - HIGH TEMPERATURE NYLON, BLACK, UL 94V-0, IR REFLOW SOLDERING PROCESS COMPATIBLE
TERMINALS - 0.25[.010] THICK PHOSPHOR BRONZE PLATED WITH 3.81µm[.000150] MINIMUM THICK BRIGHT TIN-LEAD IN SOLDER AREA, 1.27µm[.000050] MINIMUM GOLD IN LOCALIZED PLATE AREA. ENTIRE TERMINAL PLATED WITH 1.27µm[.000050] MINIMUM THICK NICKEL.
- △ JACK CAVITY CONFORMS TO FCC RULES AND REGULATIONS PART 68, SUBPART F.
- △ THIS DIMENSION REPRESENTS THE TOTAL HEIGHT OF THE CONNECTOR FROM THE TOP OF THE PC BOARD.
- 4. PACKAGED 66 ASSEMBLIES PER PVC TRAY, 396 PER BOX.
- △ MANUFACTURING DATE CODE:
ORIENTED AND LOCATED APPROXIMATELY AS SHOWN. LASER PRINTING.
TEXT HEIGHT APPROXIMATELY 2MM.
FIRST 2 DIGITS = LAST 2 DIGITS OF YEAR
NEXT 2 DIGITS = MANUFACTURING WORK WEEK
LAST DIGIT = DAY OF WEEK WITH SUNDAY = 1
- △ MATERIAL: HOUSING - HIGH TEMPERATURE NYLON, BLACK, UL 94V-0, IR REFLOW SOLDERING PROCESS COMPATIBLE
TERMINALS - 0.25[.010] THICK PHOSPHOR BRONZE PLATED WITH 3.81µm[.000150] MINIMUM THICK MATTE TIN IN SOLDER AREA, 1.27µm[.000050] MINIMUM GOLD IN LOCALIZED PLATE AREA. ENTIRE TERMINAL PLATED WITH 1.27µm[.000050] MINIMUM THICK NICKEL.



△	1116504-2
△	1116504-1
△	MATERIAL/ FINISH
△	PART NUMBER

THIS DRAWING IS A CONTROLLED DOCUMENT.		OWN: T. SPRINKLE 28JAN99	NAME: MODULAR JACK ASSEMBLY, 8 POSITION, 10mm
DIMENSIONS: mm [INCHES]		CHK: D. KEMPKA 28JAN99	TE Connectivity
TOLERANCES UNLESS OTHERWISE SPECIFIED:		APPV: D. KEMPKA 28JAN99	SIZE: 108-1163
0 PLC	±	PRODUCT SPEC	APPLICATION SPEC
1 PLC	±	108-1163	114-2048
2 PLC	±0.131(.005)	SIZE	CAGE CODE
3 PLC	±	114-2048	DRAWING NO
4 PLC	±	WEIGHT	3.49 grams
ANGLES	±	CUSTOMER DRAWING	SCALE 8:1
MATERIAL: SEE P/N TABLE	FINISH: SEE P/N TABLE	RESTRICTED TO	
		1116504-2	

Mouser Electronics

Authorized Distributor

Click to View Pricing, Inventory, Delivery & Lifecycle Information:

[TE Connectivity:](#)

[1116504-2](#)