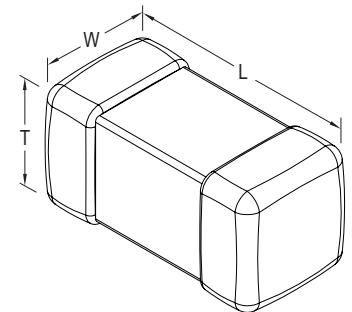


Sample Kit Contents

KEMET Part Number	Case Size	Capacitance	Cap Tolerance	Rated Voltage	Dielectric	Quantity
	EIA/Metric	pF	%	VDC		
CBR04C108B1GAC	0402/1005	0.1	±0.1	100	C0G	100
CBR04C208B1GAC	0402/1005	0.2	±0.1	100	C0G	100
CBR04C308B1GAC	0402/1005	0.3	±0.1	100	C0G	100
CBR04C408B1GAC	0402/1005	0.4	±0.1	100	C0G	100
CBR04C508B1GAC	0402/1005	0.5	±0.1	100	C0G	100
CBR04C608B1GAC	0402/1005	0.6	±0.1	100	C0G	100
CBR04C708B1GAC	0402/1005	0.7	±0.1	100	C0G	100
CBR04C808B1GAC	0402/1005	0.8	±0.1	100	C0G	100
CBR04C908B1GAC	0402/1005	0.9	±0.1	100	C0G	100
CBR04C109B1GAC	0402/1005	1.0	±0.1	100	C0G	100
CBR04C129B1GAC	0402/1005	1.2	±0.1	100	C0G	100
CBR04C159B1GAC	0402/1005	1.5	±0.1	100	C0G	100
CBR04C189B1GAC	0402/1005	1.8	±0.1	100	C0G	100
CBR04C209B1GAC	0402/1005	2.0	±0.1	100	C0G	100
CBR04C229B1GAC	0402/1005	2.2	±0.1	100	C0G	100
CBR04C279B1GAC	0402/1005	2.7	±0.1	100	C0G	100
CBR04C309B1GAC	0402/1005	3.0	±0.1	100	C0G	100
CBR04C339B1GAC	0402/1005	3.3	±0.1	100	C0G	100
CBR04C399B1GAC	0402/1005	3.9	±0.1	100	C0G	100
CBR04C409B1GAC	0402/1005	4.0	±0.1	100	C0G	100
CBR04C479B1GAC	0402/1005	4.7	±0.1	100	C0G	100
CBR04C509C1GAC	0402/1005	5.0	±0.25	100	C0G	100
CBR04C569C1GAC	0402/1005	5.6	±0.25	100	C0G	100
CBR04C609C1GAC	0402/1005	6.0	±0.25	100	C0G	100
CBR04C689C1GAC	0402/1005	6.8	±0.25	100	C0G	100
CBR04C709C1GAC	0402/1005	7.0	±0.25	100	C0G	100
CBR04C809C1GAC	0402/1005	8.0	±0.25	100	C0G	100
CBR04C829C1GAC	0402/1005	8.2	±0.25	100	C0G	100
CBR04C909C1GAC	0402/1005	9.0	±0.25	100	C0G	100
CBR04C100J1GAC	0402/1005	10	±5	100	C0G	100
CBR04C120J1GAC	0402/1005	12	±5	100	C0G	100
CBR04C150J1GAC	0402/1005	15	±5	100	C0G	100
CBR04C180J1GAC	0402/1005	18	±5	100	C0G	100
CBR04C220J1GAC	0402/1005	22	±5	100	C0G	100
CBR04C270J1GAC	0402/1005	27	±5	100	C0G	100
CBR04C390J1GAC	0402/1005	39	±5	100	C0G	100
CBR04C470J1GAC	0402/1005	47	±5	100	C0G	100
CBR04C560J1GAC	0402/1005	56	±5	100	C0G	100
CBR04C680J3GAC	0402/1005	68	±5	25	C0G	100
CBR04C820J3GAC	0402/1005	82	±5	25	C0G	100
CBR04C101J3GAC	0402/1005	100	±5	25	C0G	100

Dimensions – Millimeters (Inches)

Case Size (in.)	Case Size (mm)	L Length	W Width	T Thickness	B Bandwidth	Mounting Technique
0402	1005	1.00 ± 0.05 (0.040 ± 0.002)	0.50 ± 0.05 (0.020 ± 0.002)	0.50 ± 0.05 (0.020 ± 0.002)	0.25 + 0.05 / -0.10 (0.010 + 0.002 / -0.004)	Solder Reflow Only



Mouser Electronics

Authorized Distributor

Click to View Pricing, Inventory, Delivery & Lifecycle Information:

[KEMET:](#)

[CER ENG KIT 33](#)