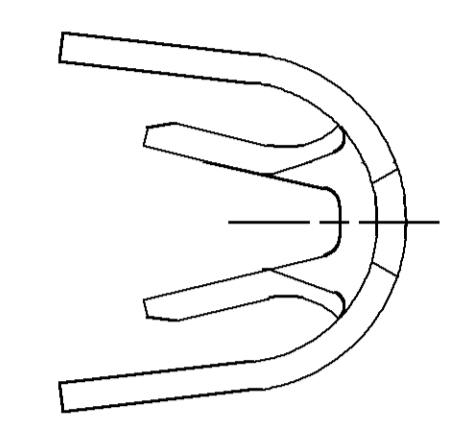
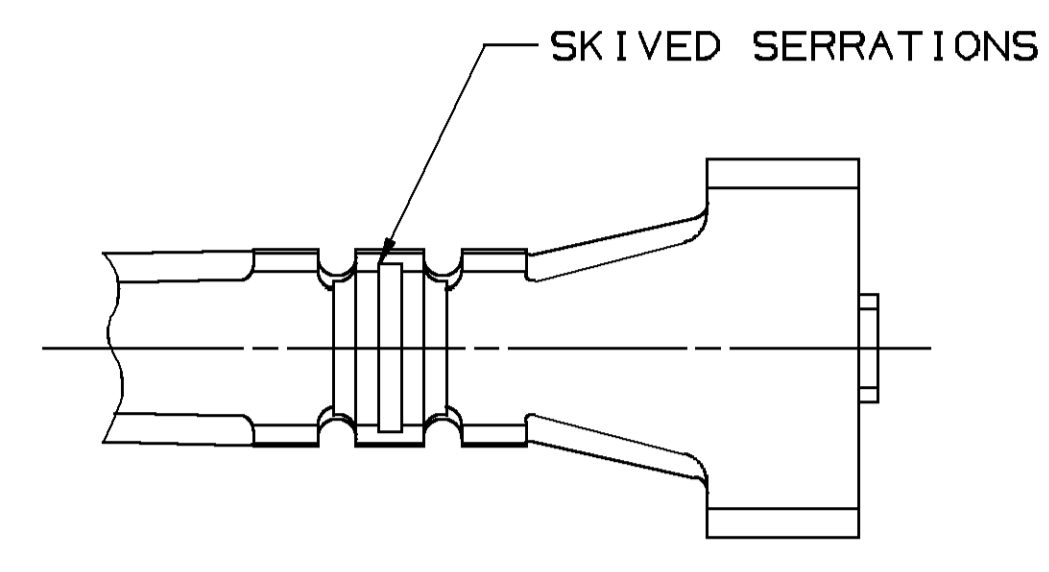


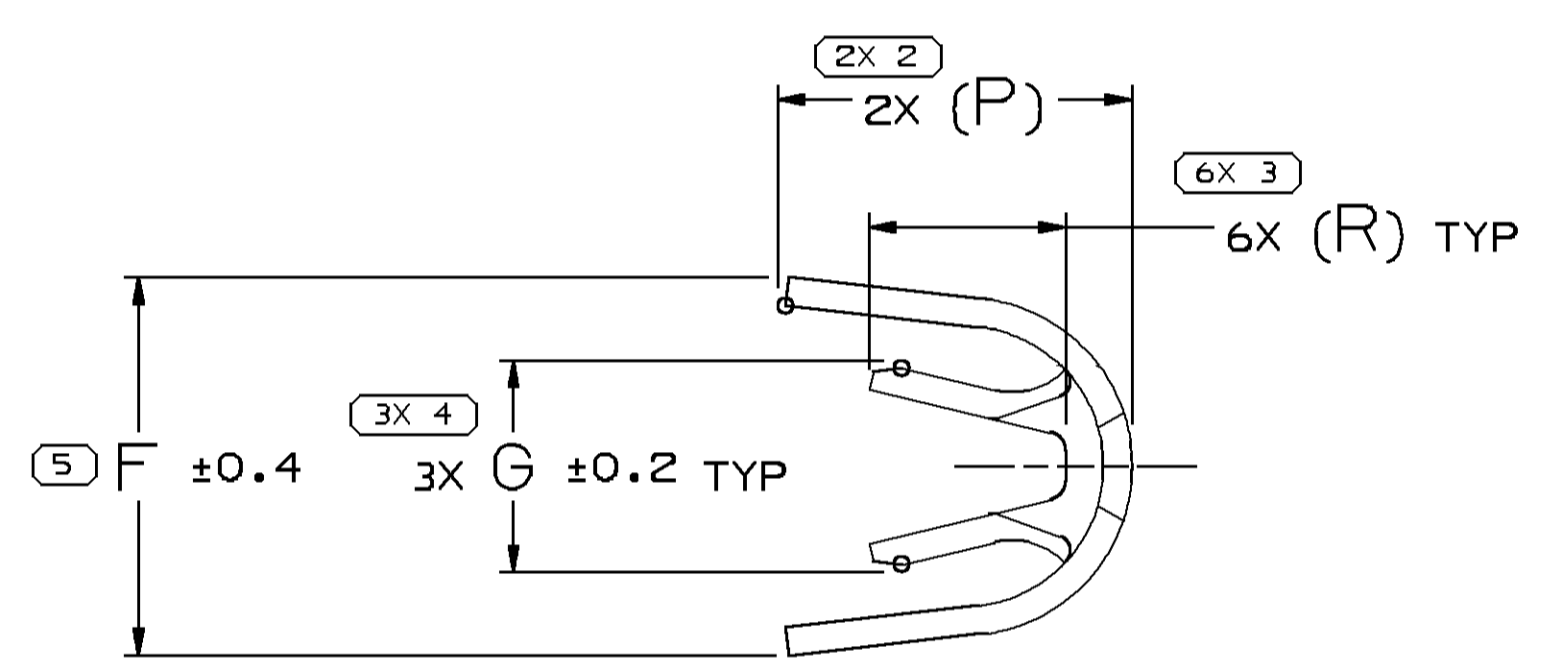
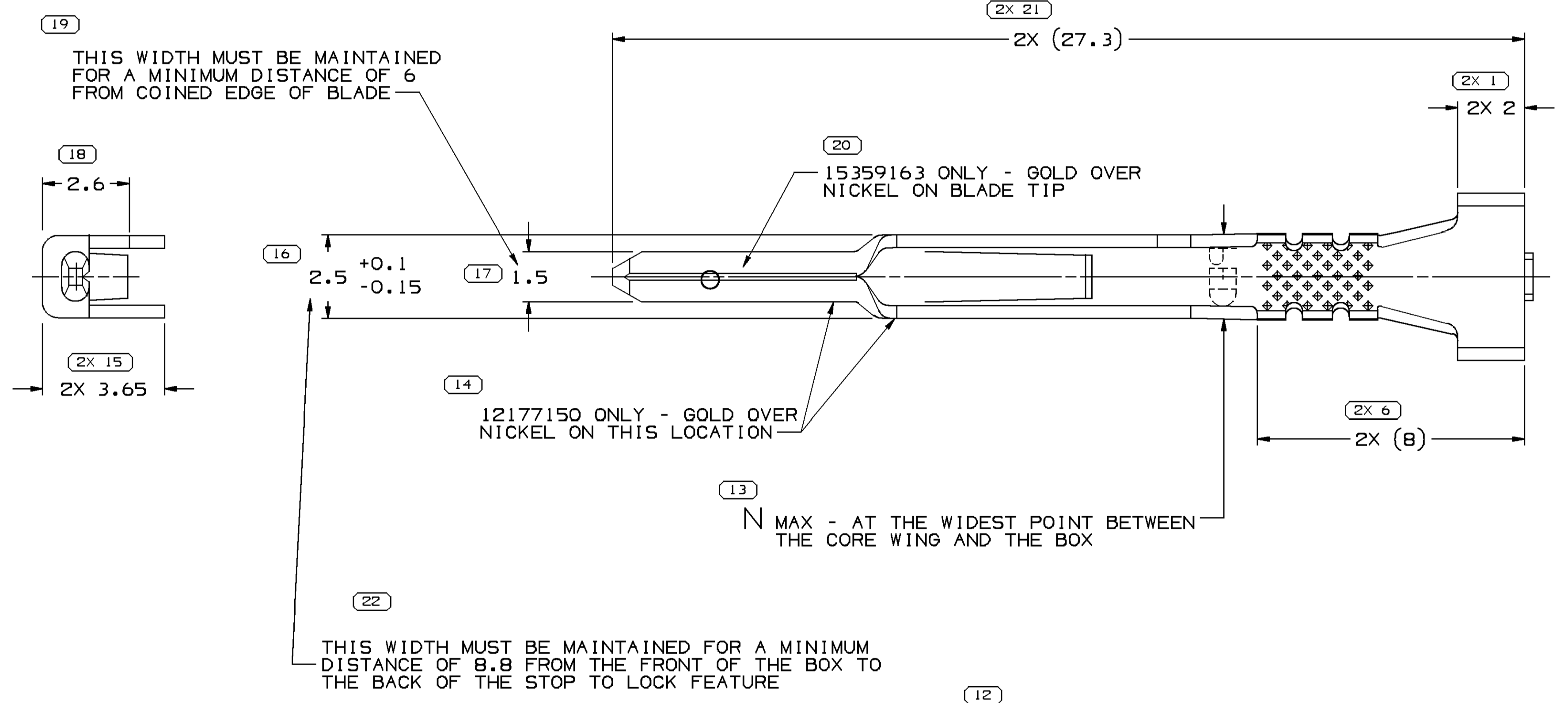
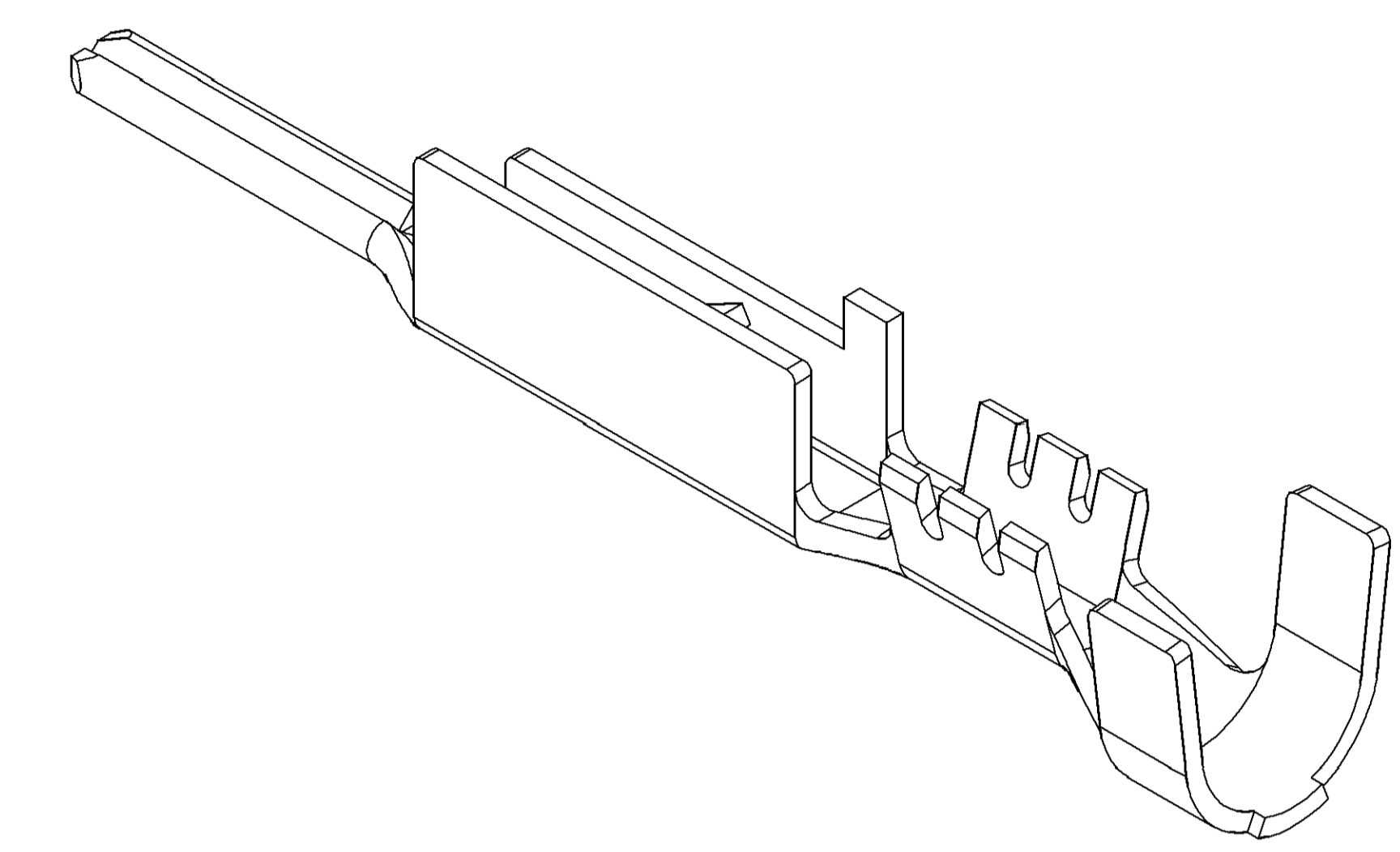
SYMBOL DEFINITION		TOTAL NO OF INSPECTIONS REQUIRED	MISSING SYMBOLS
A DIMENSION WITHOUT AN INSPECTION REPORT SYMBOL DOES NOT REQUIRE INSPECTION. IT MAY BE CONTROLLED ON THE INDIVIDUAL COMPONENT DRAWING.		38	NO MISSING SYMBOL NUMBER
		LAST NO. USED	22

DATE	STG	REV	N/P	CHG	ZONE	REVISION HISTORY	AUTH	DR	APV	APV2
10FEO0	R	001	-	-	-	CLEARED REV COLUMN; 15359163 - RELEASED	000005	JHN	PHC	MDM
08MY00	R	002	-	-	-	15359163 - TERMINAL FORM ID 21 WAS ID 19	200183	FRG	MVA	MDM
30JN00	R	003	-	-	-	15359163 - REV MAT'L SPEC	202037	TLP	TLP	MJD
15JN05	R	04	-	-	-	CORRECTED DIM LOCATION FOR DIM 2.6	269209	MJM	MJM	MKM
08DE06	R	05	-	-	-	REVISED MATERIAL SPEC-12191888,12191887 12077628,12045773 WAS P3607402 AND 12077150 WAS PM003636	287631	MM	MM	MKM
23NO07	R	06	-	-	-	13654490 - RELEASED	402515	EFS	JVM	ACB
25MR08	R	07	-	-	-	ALL ACTIVE PARTS DIM 2X 4 MAX EXCLUDING COIN WAS 2X 3.6 +/- 0.15	404175	ARV	PYP	ARV
22JA09	R	08	-	-	-	ALL ACTIVE PARTS - DIM 2.5 +/- .15 WAS +/- .10, ADDED NOTE TO DIM 2.5 +/- .15 & UPDATED MAT'L CALLOUT	407116	CBG	SCR	BEM
31JL12	R	09	-	-	-	12045773, 12077628, 12191887 & 12191888 - UPDATED PDM ATTRIBUTES	419104	JGM	JGM	MAA
07AU12	R	10	-	-	-	13654490, 15359163 AND 12177150 UPDATED MAT'L CALLOUT	419193	DCH	JVM	MAA

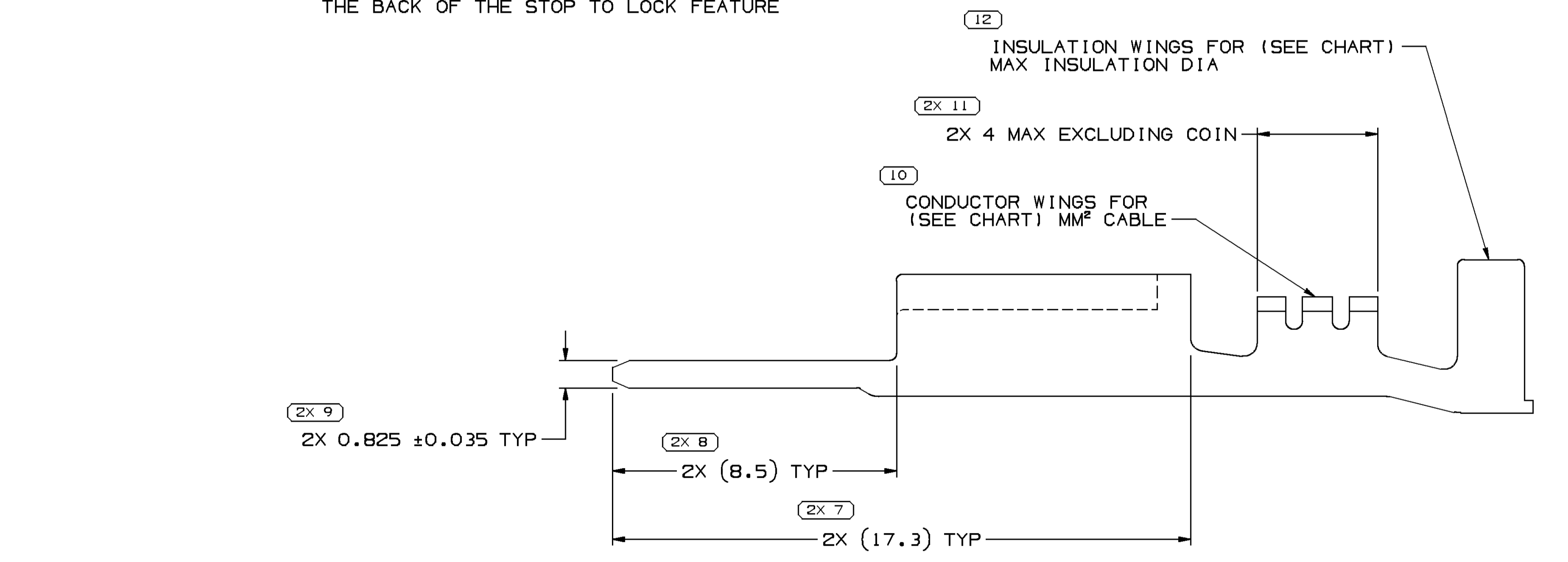


TYPE 102

SAME AS TYPE 101 EXCEPT AS SHOWN



TYPE 101



NOTES

- UNLESS OTHERWISE SPECIFIED AND/OR INDICATED: DIMENSIONS ARE TO FACE OF VIEW SHOWN AND AUTOMATICALLY ROUNDED BY COMPUTER FOR INSPECTION (SEE MATH MODEL FOR PRECISE DIMENSIONS). FOR ALL OTHER DIMENSIONS NOT SHOWN BUT REQUIRED FOR TOOL BUILD, SEE MATH MODEL FOR PRECISE TOOL PATH DATA.
- REFERENCE MATING COMPONENTS OR EQUIVALENT: TERMINAL 12048074
- PART TO BE USED WITH CABLE SEAL

PART NO	REV	N/P	MAT'L SIZE	UNPLATED	MAT'L SPEC	PART NO	REV	N/P	MAT'L SIZE	PLATED	MAT'L SPEC	CABLE DIA	TYPE	F	G	N	R	P
12092703	B2	-	0.381 X 35.71		COPPER ALLOY	12077628	C5	-	0.35 - 0.5	21	2.4 - 1.47	101	5	2.6	2.55	2.6	4.6	
12092668	C2	-	0.381 X 35.71		COPPER ALLOY	12045773	C	-	0.35	22	1.63 - 1.47	102	5	2.6	2.55	2.6	4.6	
						13654490	O1	AC	GOLD PLATED COPPER ALLOY	0.5 - 0.8	19	2.78 - 1.69	101	5	2.6	2.55	2.6	4.6
						15359163	O2	AE	GOLD PLATED COPPER ALLOY	0.35 - 0.5	21	2.4 - 1.47	101	5	2.6	2.55	2.6	4.6
						12191888	C6	-	COPPER ALLOY	0.35 - 0.5	21	2.4 - 1.47	101	5	2.6	2.55	2.6	4.6
						12191887	C6	-	COPPER ALLOY	0.5 - 0.8	19	2.78 - 1.69	101	5	2.6	2.55	2.6	4.6
						12177150	C5	-	GOLD PLATED COPPER ALLOY	0.5 - 0.8	19	2.78 - 1.69	101	5	2.6	2.55	2.6	4.6

DELPHI
DELPHI PACKARD ELECTRICAL/ELECTRONIC ARCHITECTURE

WARREN, OH
COPYRIGHT 1996 DELPHI CORPORATION AND/OR ITS AFFILIATES.
ALL RIGHTS RESERVED.

THIS DRAWING IS THE PROPERTY OF DELPHI CORPORATION.
THE REPRODUCTION, DISTRIBUTION AND UTILIZATION
OF THIS DOCUMENT OR ITS RELATED CAD DATA
AS WELL AS COMMUNICATION OF ANY CONTENT TO OTHERS,
WITHOUT EXPRESS AUTHORIZATION IS PROHIBITED.

OR DATE

APV01 L.R. MOYSEN M 04SE96
APV02 W. TURNBULL 07SE96
APV03 C. SCHAEFFER 18OC96
APV04

THIS DOCUMENT IS IN ACCORDANCE WITH ASME Y14.5M-1994
AS MODIFIED BY THE 3M GLOBAL DIMENSIONING AND
TELEPHONING ADDENDUM-2001. SEPARATE PATTERNS OF
FEATURES MAY BE SHOWN SEPARATELY, REGARDLESS OF DATUM
REFERENCES.

UNLESS OTHERWISE SPECIFIED
ALL DIMENSIONS ARE IN MILLIMETERS

REFERENCE

DRAWING NAME
TAXI TERM M/M/P 150 SEALED

DRAWING NUMBER
12089630

SIZE AD SCALE 10:1 FRAME NO 1 OF 1 SHEET NO 1 OF 1 STG REV N/P 10 -

Mouser Electronics

Authorized Distributor

Click to View Pricing, Inventory, Delivery & Lifecycle Information:

[Aptiv:](#)

[12077628-L](#) [12177150-L](#)