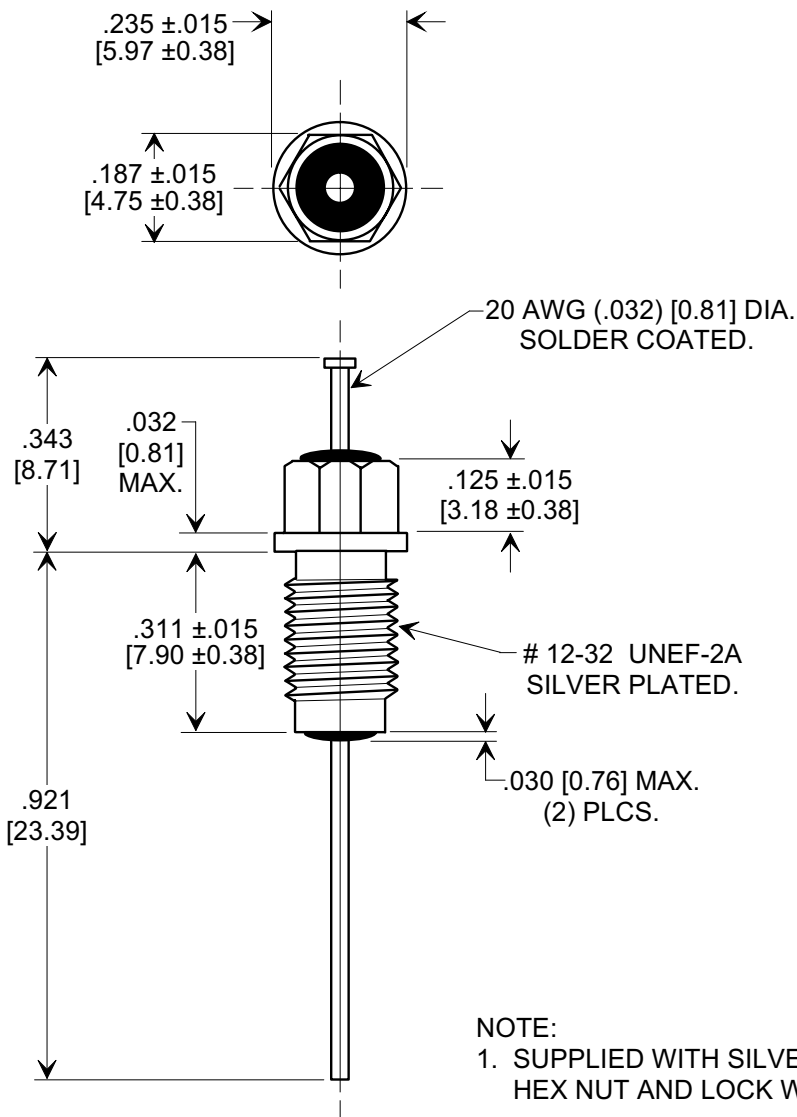
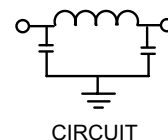
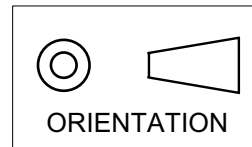


Electrical Testing
per Tusonix standard
test plans and Mil-Std-202
Test Methods.

MARKETING SALES DRAWING
DIMENSIONS IN INCHES - DO NOT SCALE THIS DRAWING
DIMENSIONS IN METRIC - []



5000	200	100	10 A	50	65	70	70
	85°C	125 °C		50 MHz	100 MHz	1 GHz	10 GHz
MIN. CAP. (pF)	WORKING VOLTAGE (VVdc)		CURRENT IDC	MINIMUM NO LOAD INSERTION LOSS (dB) AT 25°C PER MIL-STD -220			

X-2015 Rev-0 REVISION RECORD Original Release C.O. 20050921-2-01 0	TOLERANCES unless otherwise specified 2 PLC. DECIMAL ± // 3 PLC. DECIMAL ± .031 [0.79]		Title M15733/61-0011 BUSHING STYLE EMI FILTER	
	ANGLES ± //		Drawn S.M. 09-21-05	Scale X 3
	TUSONIX TUCSON, ARIZONA		Approved B.Mc. 09-21-05	
	A		4203-551	

Mouser Electronics

Authorized Distributor

Click to View Pricing, Inventory, Delivery & Lifecycle Information:

[Tusonix / CTS:](#)

[4203-551](#)