



Corp. Automotive Components Gr.

THE NEW VALUE FRONTIER



A KYOCERA GROUP COMPANY

PRQC Series

11st Dec. 2015

KYOCERA Corporation
Automotive Components
Engineering division
Engineering section

京セラ株式会社

1. Series Name

PRQC series

(+85deg.C / consumer/industrial / 3.2 x 1.3 mm)

2. Electrical Characteristics

(key parameters)

PN	Freq	Freq Initial Tolerance	Freq Temp Stability	Resonant Impedance	
	(MHz)	(%)	(%)	ohm	
PRQC8.00CR5010X000	8.00	±0.5	±0.5	60	
PRQC10.00CR5010X000	10.00	±0.5	±0.5	60	
PRQC12.00CR5010X000	12.00	±0.5	±0.5	60	
PRQC16.00CR5010X000	16.00	±0.5	±0.5	60	
PRQC20.00CR5010X000	20.00	±0.5	±0.5	60	
PRQC8.00CR1010V00L	8.00	±0.1	±0.02	500	
PRQC12.00CR1010V00L	12.00	±0.1	±0.02	200	※
PRQC16.00CR1010V00L	16.00	±0.1	±0.02	100	※
PRQC20.00CR1010V00L	20.00	±0.1	±0.02	100	※

※ +70deg.C

(other common parameters)

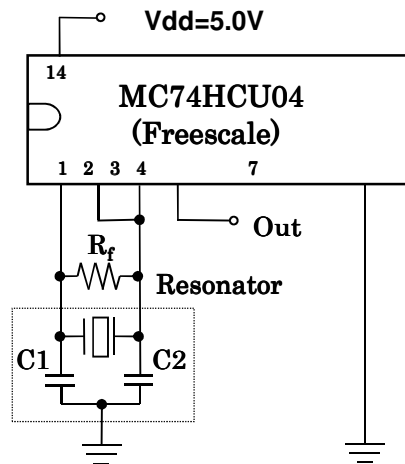
Items	Specifications
Standard Test IC	MC74HCU04 (Freescale)
Withstanding Voltage	100 V D.C. 10 sec max.
Max. Input Signal Voltage	15 Vp-p
Insulation Resistance	100 M Ω min. (at 10 V D.C.)
Operating Temperature Range	-40 to +85°C
Storage Temperature Range	-40 to +85°C
Aging for 10 years on Oscillating Frequency	fosc \pm 0.1 % max. (at 25°C from initial value)

3-1. Measurement Condition

The reference temperature shall be 25 ± 2 °C.
 The measurement shall be performed in the temperature range from 15 to 35°C unless otherwise the result is doubtful.

3-2. Measurement Circuit

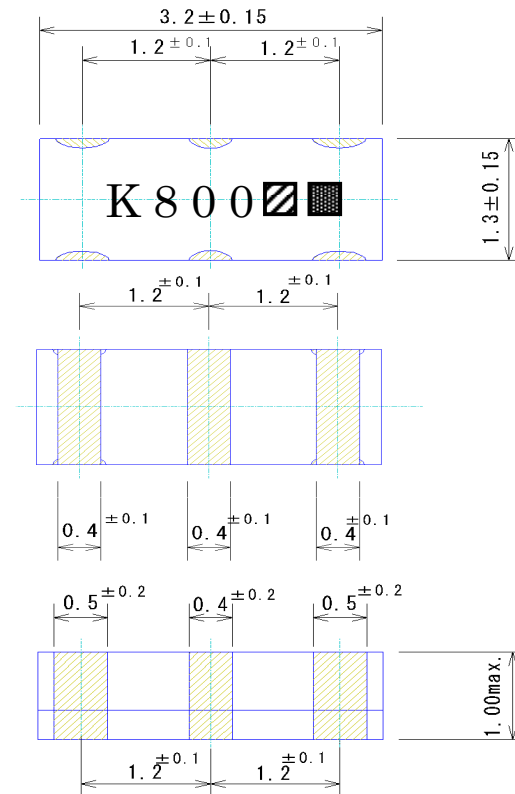
Oscillating frequency shall be measured using the Kyocera standard test circuit shown in Fig. 1.



$R_f = 1M\Omega$
 $C_1 = C_2 = 10$ pF (Reference)

Fig.1 Standard Measuring Circuits

4. Dimensions



Unit: mm

Terminal: Ni/Sn plating

Oscillating Frequency

e.g.:800 show the oscillating frequency of 8.00 MHz.

■ Date Code

2013	Jan. ~ Dec.	A~M (except "I")
2014	Jan. ~ Dec.	N~Z (except "O")
2015	Jan. ~ Dec.	a~m (except "i")
2016	Jan. ~ Dec.	n~z (except "o")

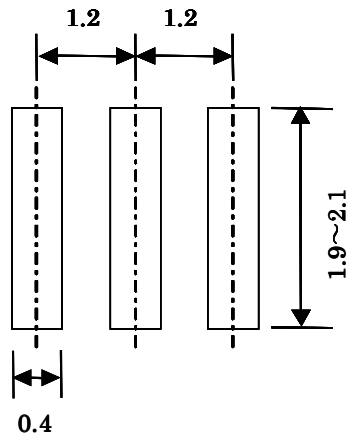
Note: The alphabet should be repeated after Jan.2017.

▨ Day Code

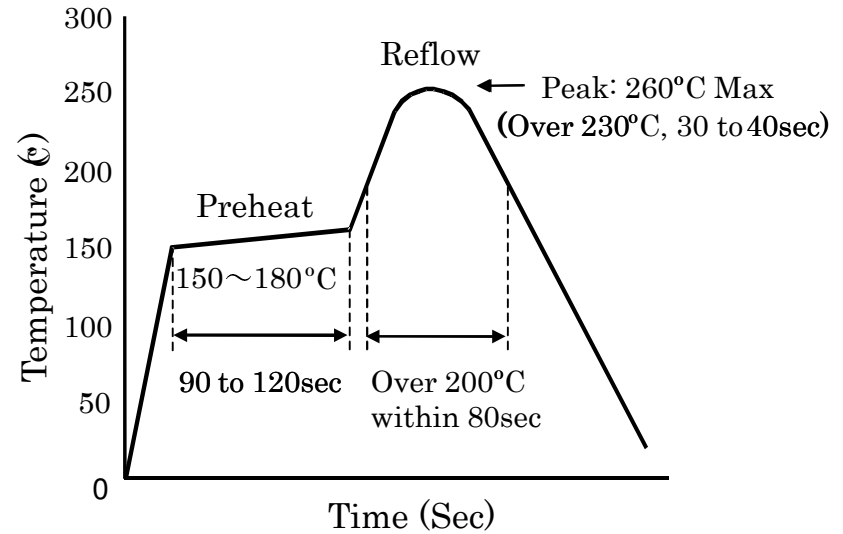
Day	1	2	3	4	5	6	7	8	9	10	
Code	A	B	C	D	E	F	G	H	J	K	
Day	11	12	13	14	15	16	17	18	19	20	
Code	L	M	N	P	Q	R	S	T	U	V	
Day	21	22	23	24	25	26	27	28	29	30	31
Code	W	X	Y	Z	a	b	c	d	e	f	g

5. Recommended Land Pattern

Unit: mm



6. Recommended IR Reflow Profile



Mouser Electronics

Authorized Distributor

Click to View Pricing, Inventory, Delivery & Lifecycle Information:

Kyocera:

[PBRV-10.00HR-Y](#) [PBRC-4.00HR03](#) [PBRC-3.58AR](#) [PBRC-6.00AR](#) [PBRC-20.00GR](#) [PBRC-2.00AR](#) [PBRC-8.00AR](#)
[PBRC-4.19AR](#) [PBRC-6.96AR](#) [PBRV-4.00HR-Y](#) [PBRC-16.00BR07](#) [PARM433.92K04R](#) [PBRC-11.0592BR](#) [PBRC-](#)
[16.00BR](#) [PBRC-3.58GR](#) [PBRC4.00MR50X000](#) [PBRC-4.19HR](#) [PBRC-5.00HR](#) [PBRC-6.00BR-AL](#) [PBRC-6.00HR](#)
[PBRC6.00MR50X000](#) [PBRC-7.37GR](#) [PBRC-7.37HR](#) [PBRV-12.00HRY](#) [PBRC10.00HR70X000](#)
[PBRC12.00HR70X000](#) [PBRC2.45HR50X000](#) [PBRC3.68HR50X000](#) [PBRC20.00MR70X000](#) [PBRC5.00HR50X000](#)
[PBRC16.00HR70X000](#) [PBRC4.19HR50X000](#) [PBRC7.37HR50X000](#) [PBRC4.91HR50X000](#) [PBRC5.00MR50X000](#)
[PBRC4.91MR50X000](#) [PBRC-11.06BR07](#) [PBRC-20.00BR07](#) [PBRV-20.00HR-Y](#) [PBRC-12.00HR](#) [KBR-3.58MKS](#)
[PBRC-2.00BR](#) [PBRC-2.45BR](#) [PBRC-3.58BR](#) [PBRC-3.68BR](#) [PBRC-4.19BR](#) [PBRC-6.00BR](#) [PBRC-8.00BR](#) [PBRC-](#)
[10.00BR07](#) [PBRC-12.00BR07](#) [PBRC-20.00BR](#) [PBRC-4.91BR](#) [PBRC-7.00AR](#) [PBRC-4.00AR](#) [PBRC-5.00AR](#) [PBRC-](#)
[4.91AR](#) [PBRC-4.91HR](#) [PBRC-10.00HR](#) [PBRC-4.00BR-AL](#) [PBRC-2.45AR](#) [PBRC-7.37AR](#) [PBRC-8.00BR-AL](#) [PBRC-](#)
[3.68AR](#) [PBRC4.19GR50X000](#) [PBRC20.00HR50X000](#) [PBRC10.00HR50X0RZ](#) [PBRC2.46HR50X000](#)
[PBRC3.68GR50X000](#) [PBRC4.00GR50X000](#) [PBRV5.00HR50Y000](#) [PBRV6.00HR50Y000](#) [PBRV6.00MR50Y000](#)
[PBRV8.00MR50Y000](#) [PBRV4.19HR50Y000](#) [PBRC8.00GR50X000](#) [PBRV4.91HR50Y000](#) [PBRV4.19MR50Y000](#)
[PBRV16.00HR50Z000](#) [PBRV2.00HR50Y000](#) [PBRV4.00HR50Y000](#) [PBRV16.00HR50X0D6](#) [PARS-433.92K04R-X](#)
[KBR-4.00MKDTR](#) [KBR-4.00MKS](#) [KBR-4.00MSA](#) [PBRC4.00HR50X000](#) [PBRC14.74HR70X000](#) [PBRC7.00HR50X000](#)
[PBRC6.96HR50X000](#) [PBRC4.19MR50X000](#) [PBRC8.00MR50X000](#) [PBRC11.06HR70X000](#) [PBRC11.06MR70X000](#)
[PBRC8.00HR50X000](#) [PBRC6.00HR50X000](#) [PBRC20.00HR70X000](#) [PBRC3.58HR50X000](#) [PBRC16.00MR70X000](#)
[PBRC7.37MR50X000](#) [PBRC10.00MR70X000](#)