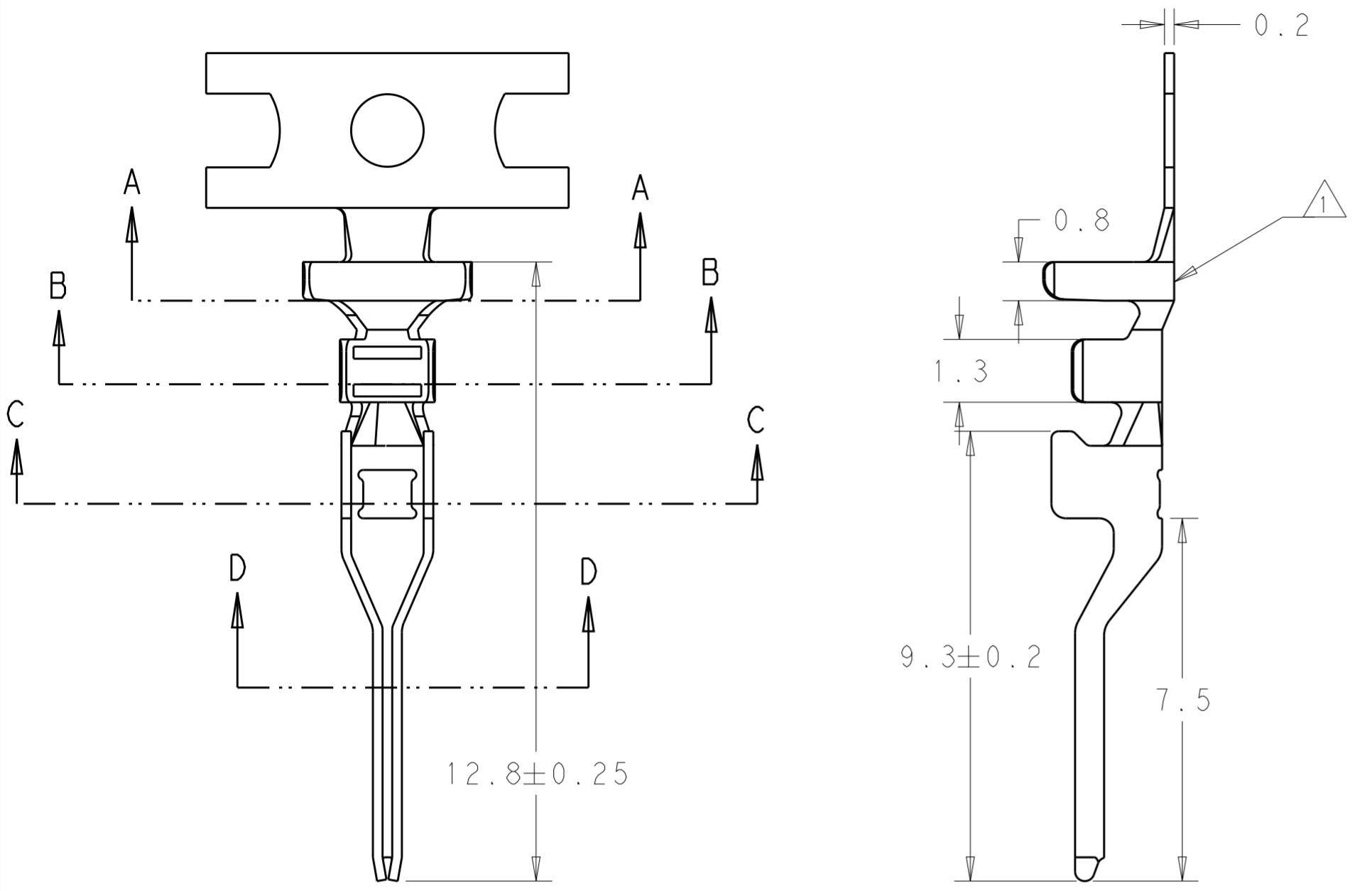
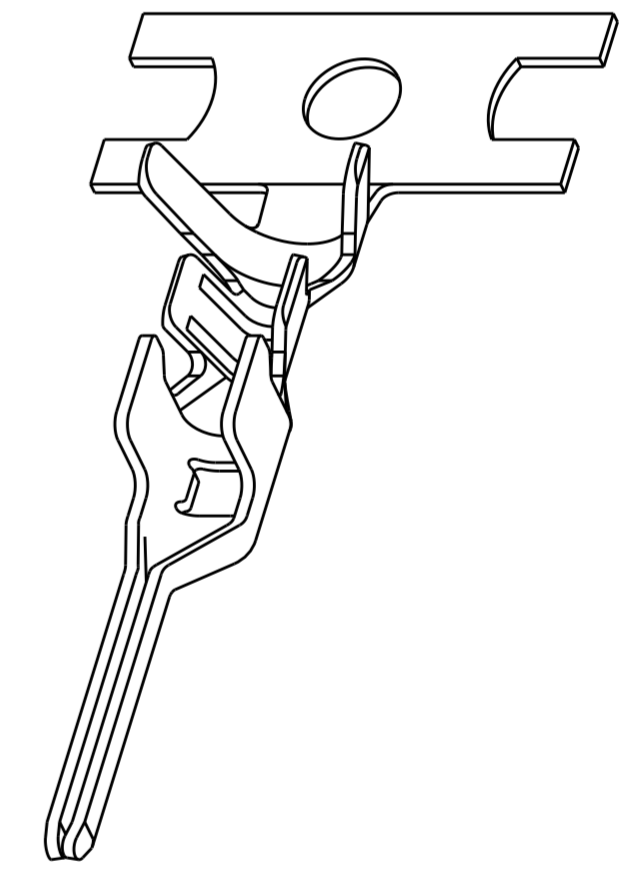
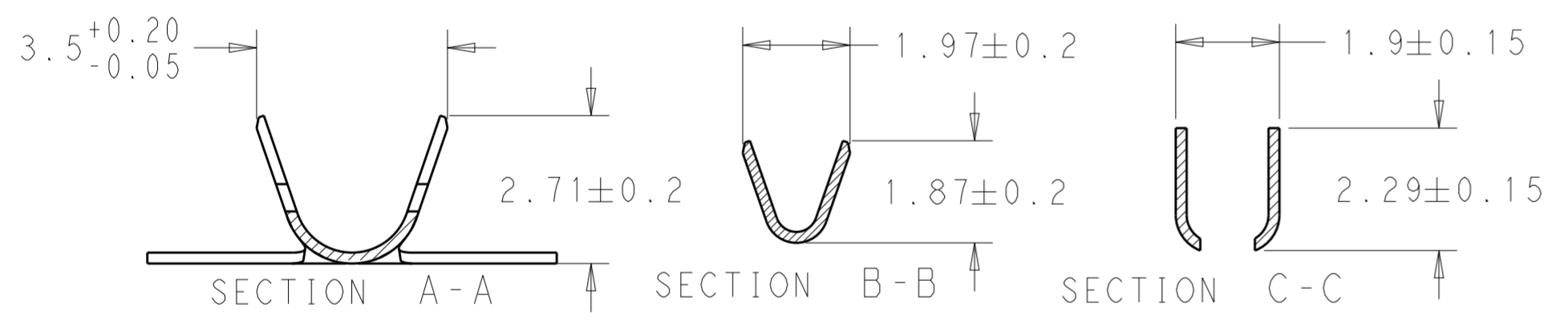


THIS DRAWING IS UNPUBLISHED. RELEASED FOR PUBLICATION 20
 © COPYRIGHT 20 BY - ALL RIGHTS RESERVED.

LOC		DIST		REVISIONS			
P	LTR	DESCRIPTION	DATE	DWN	APVD		
	B	REVISED PER ECR-16-011195	09AUG2016	O.C	D.Z		



- 1 TE LOGO.
- 2 QUANTITY PER REEL: 8000 PIECES.
- 3 CONTACT IS RoHS COMPLIANT.
- 4 WIRE RANGE: 20-24 AWG.
- 5 INSULATION RANGE: \varnothing 1.3-1.7



TIN OVER NICKEL	BRASS	2238008-1
FINISH	MATERIAL	PART NO.

THIS DRAWING IS A CONTROLLED DOCUMENT.		DWN S. EDWARDS 14DEC2012	STE TE Connectivity	
		CHK KURT RANDOLPH 14DEC2012		
		APVD KURT RANDOLPH 14DEC2012	NAME	
DIMENSIONS: mm		PRODUCT SPEC	TERMINAL, PIN ECONOMY POWER 2.5	
TOLERANCES UNLESS OTHERWISE SPECIFIED:		108-2418	APPLICATION SPEC	
0 PLC ±-		114-13315	RESTRICTED TO	
1 PLC ±0.5		WEIGHT	SIZE	CAGE CODE
2 PLC ±0.13		Customer Drawing	A2100779	G-2238008
3 PLC ±0.013		SCALE 9:1	SHEET 1	OF 1
4 PLC ±0.0001			REV B	
ANGLES ±-				
FINISH				
SEE TABLE				

Mouser Electronics

Authorized Distributor

Click to View Pricing, Inventory, Delivery & Lifecycle Information:

[TE Connectivity:](#)

[2238008-1](#)