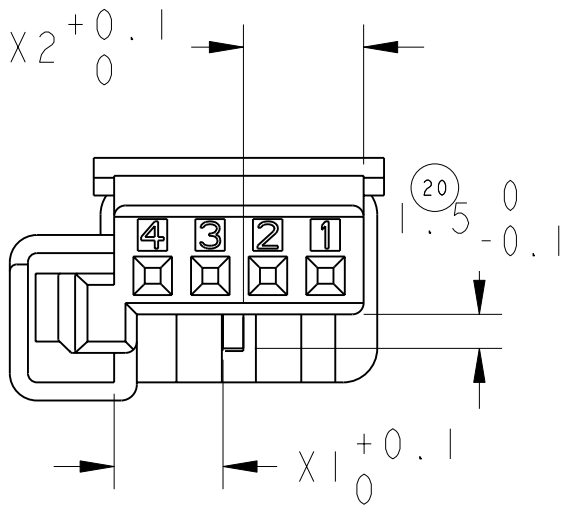


THIS DRAWING IS UNPUBLISHED. / DIFFUSION RESTREINTE
 RELEASED FOR PUBLICATION / LIBRE A LA DIFFUSION
 BY TYCO ELECTRONICS CORPORATION. ALL RIGHTS RESERVED. / TOUS DROITS RESERVES

LOC	DIST	REVISIONS					
		P	LTR	DESCRIPTION MODIFICATIONS	DATE	DWN DESS.	APVD APP.
F	7	A		ADD RADIUS ON THE LOCKING LANCE RIB.	22JUN2001	SA	JJR
		B		TE UPDATE - MARKING POSITION UPDATED	25JAN2011	EC	XR

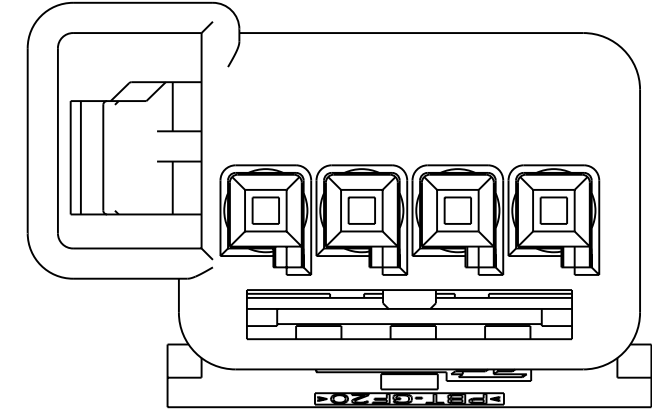
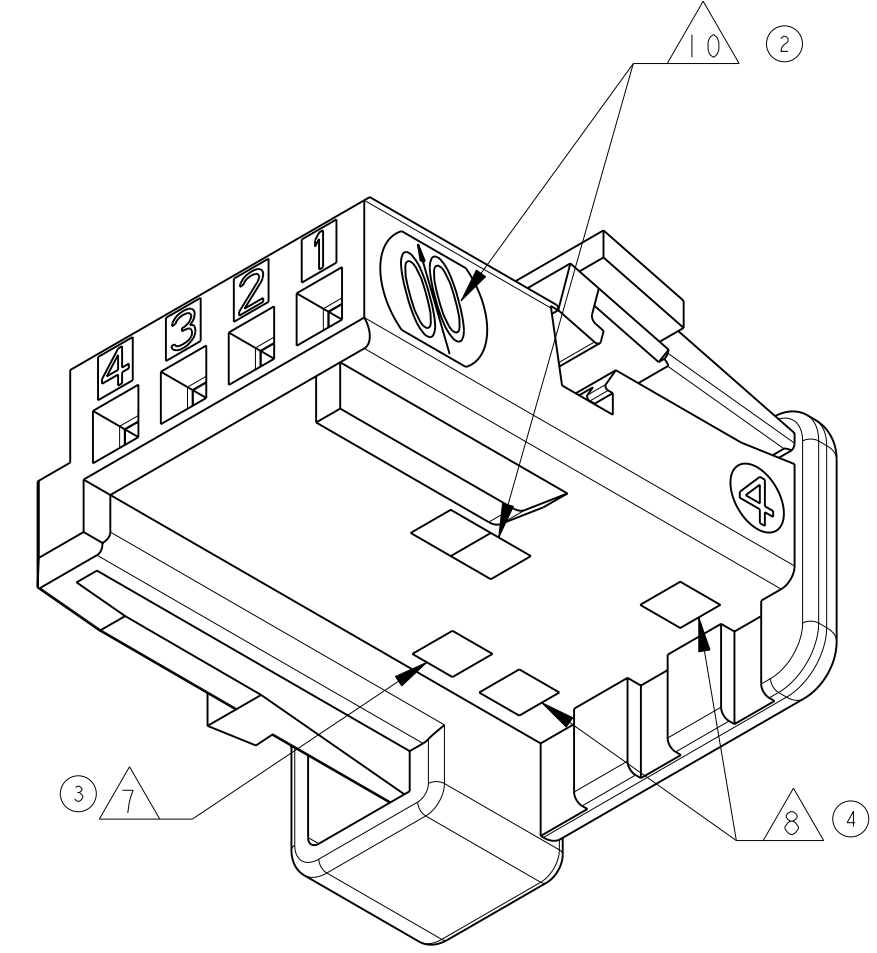
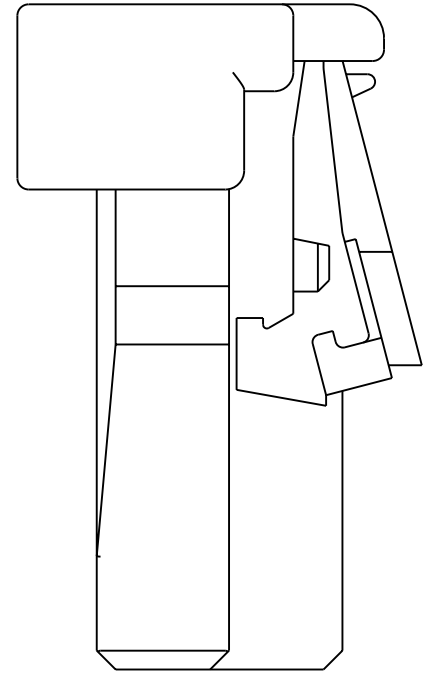
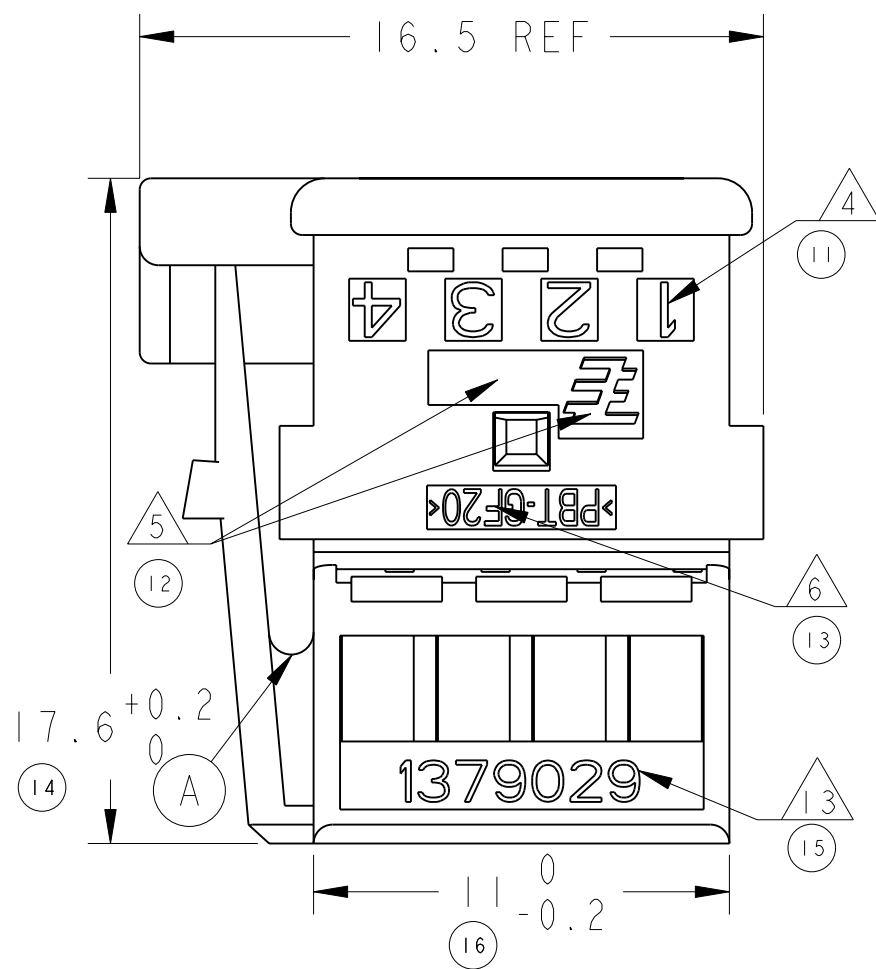
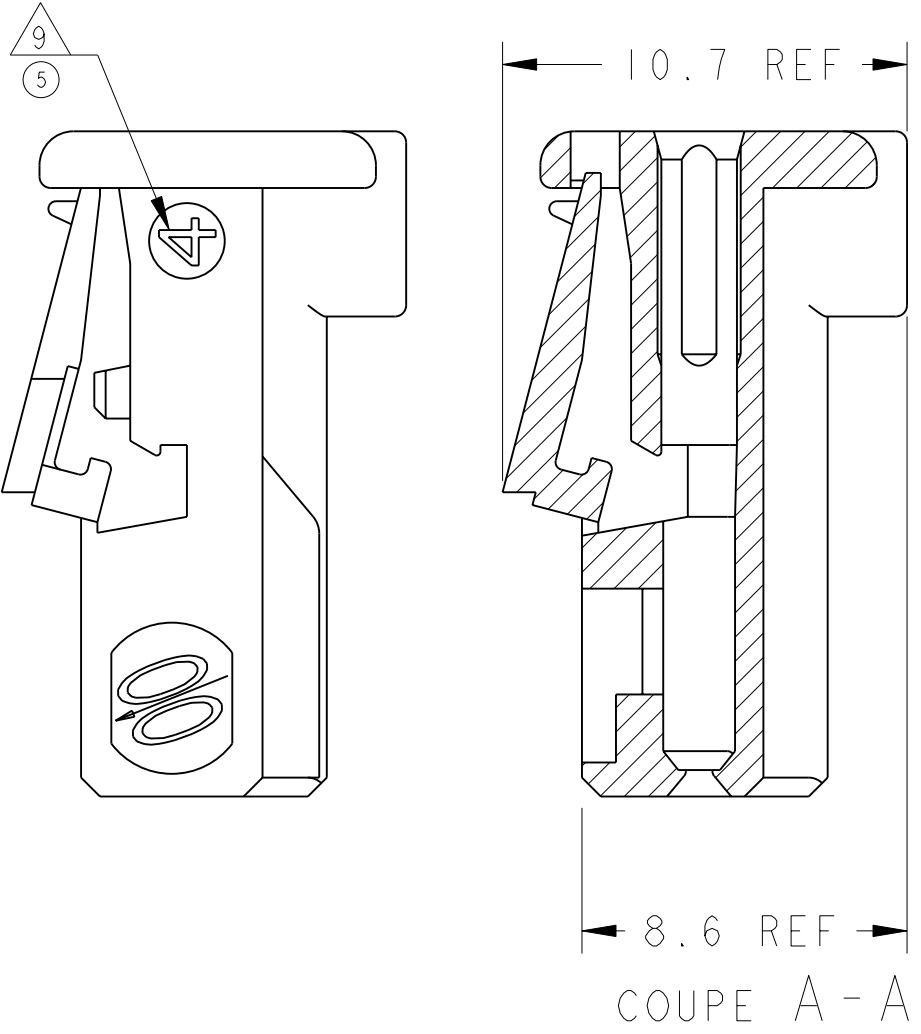
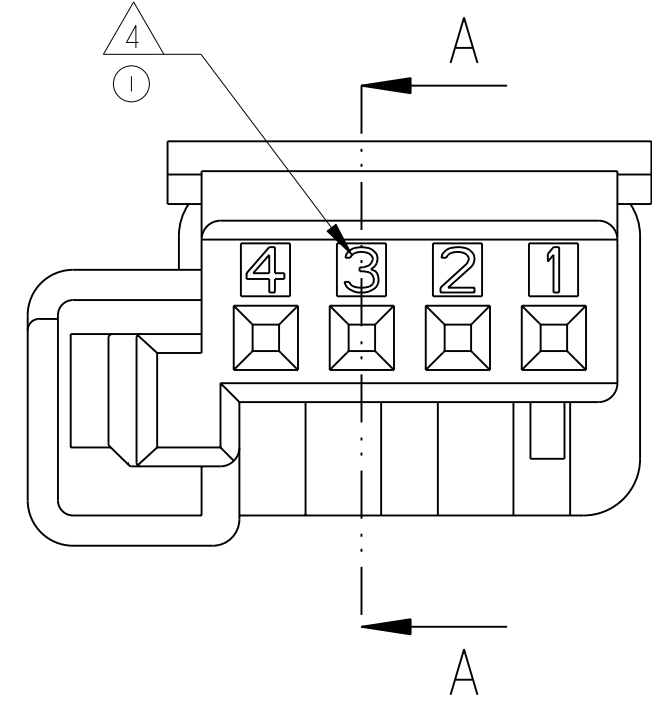
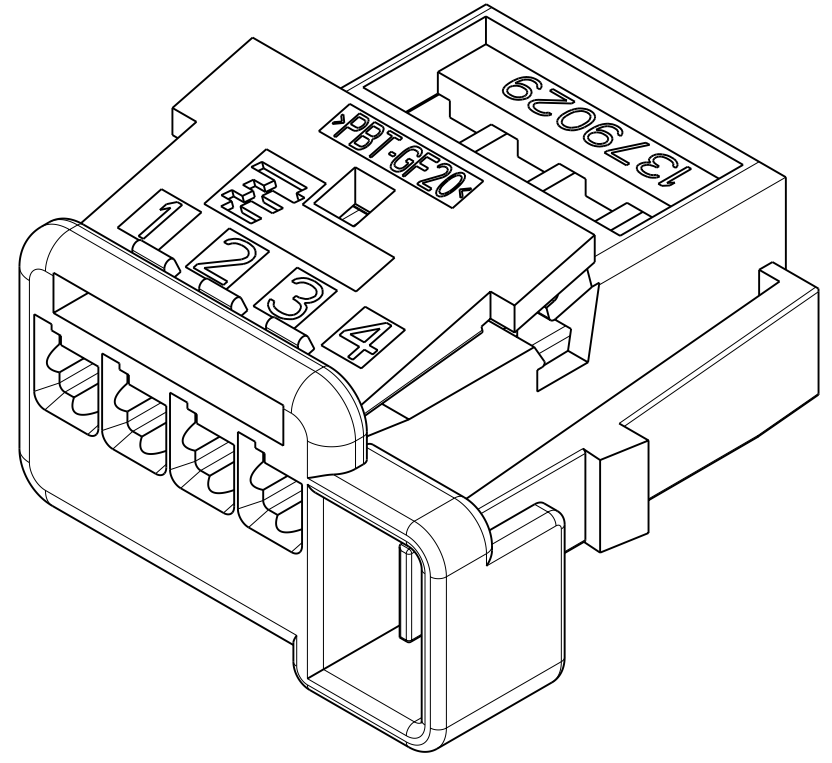
TABLE DE CODAGE - KEYING TABLE

COULEUR / COLOUR	X1	X2	REF. TE / TE PN
NOIR / BLACK	(21) 8.7	(22) 1.4	1379029-1
BLANC / WHITE	(23) 7.4	(24) 2.7	1379029-2
BLEU / BLUE	(25) 6.1	(26) 4	1379029-3
JAUNE / YELLOW	(27) 4.8	(28) 5.3	1379029-4
GRIS / GREY	(29) 3.5	(30) 6.6	1379029-5
MARRON / BROWN	(31) 2.2	(32) 7.9	1379029-6



NOTES :

- POSITION DES ALVEOLES SUIVANT INTERFACE TE 208-15592 / INTERFACE ACCORDING TO TE 208-15592
- PIECE A UTILISER AVEC LE CLIP MQS 144969-x, 928999-x OU 963715-x / TO USE WITH MQS RECEPTACLE 144969-x, 928999-x OR 963715-x
- 1379029-1 REPRESENTE / 1379029-1 AS SHOWN
- REPERE D'ALVEOLE / CAVITY IDENTIFICATION
- LOGO TE OR AMP / TE OR AMP STAMP
- MARQUAGE MATIERE / MATERIAL IDENTIFICATION
- MARQUAGE DU MOULE (OPTION) / MOLD IDENTIFICATION (OPTIONAL)
- INDICE DE REVISION DE MOULE (EMPLACEMENT OPTIONNEL) / MOLD REVISION NUMBER (OPTIONAL LOCATION)
- NUMERO D'EMPREINTE DE MOULE / MOLD CAVITY IDENTIFICATION NUMBER
- DATEUR (EMPLACEMENT OPTIONNEL) / DATE CODE (OPTIONAL LOCATION)
- REFERENCE TE / TE PN



THIS DRAWING IS A CONTROLLED DOCUMENT FOR TYCO ELECTRONICS CORPORATION IT IS SUBJECT TO CHANGE AND THE CONTROLLING ENGINEERING ORGANIZATION SHOULD BE CONTACTED FOR THE LATEST REVISION. CE PLAN EST UN DOCUMENT CONTROLÉ PAR AMP INCORPORATED. IL EST SUSCEPTIBLE D'ÊTRE REVISÉ. CONTACTER LE SERVICE TECHNIQUE D'AMP DE FRANCE POUR OBTENIR LA DERNIÈRE REVISION.		DWN/DESSINE / 13 JAN 00 O. LEMAIRE CHK/VERIFIE / 14 FEB 00 J. LALANGE APVD/APROUVE / 14 FEB 00 JJ. REVIL		TYCO Electronics France 95301 PONTOISE	
DIMENSIONS: / mm TOLERANCES UNLESS OTHERWISE SPECIFIED: / (SUIV. NB DE DECIMALES) 0 P.LC/DEC: ± 1 P.LC/DEC: ± 2 P.LC/DEC: ±0.2 3 P.LC/DEC: ± 4 P.LC/DEC: ± ANGLES: ±5°		PRODUCT SPEC / 108-15236 SPEC. PRODUIT APPLICATION SPEC / 411-15635 SPEC. APPLICATION		NAME / TITRE: PORTE-CLIPS 4 VOIES MQS AVALOIR / 4 POS. MQS RECEPTACLE HOUSING POSITIVE MATE SIZE / FORMAT: A2 CAGE CODE / 00779 DRAWING NO / No PLAN: C-1379029 RESTRICTED TO / RESERVE A: -	
MATERIAL/MATIERE / PBT GF20 FINISH/FINITION		WEIGHT / MASSE APPROX.: 1.2g CUSTOMER DRAWING / PLAN CLIENT		UNIFORMITY / ECHELLE: 5:1 SCALE / SHEET / FEUILLE: 1 OF / DE: 1 REV: B	

Mouser Electronics

Authorized Distributor

Click to View Pricing, Inventory, Delivery & Lifecycle Information:

[TE Connectivity:](#)

[1379029-1](#)