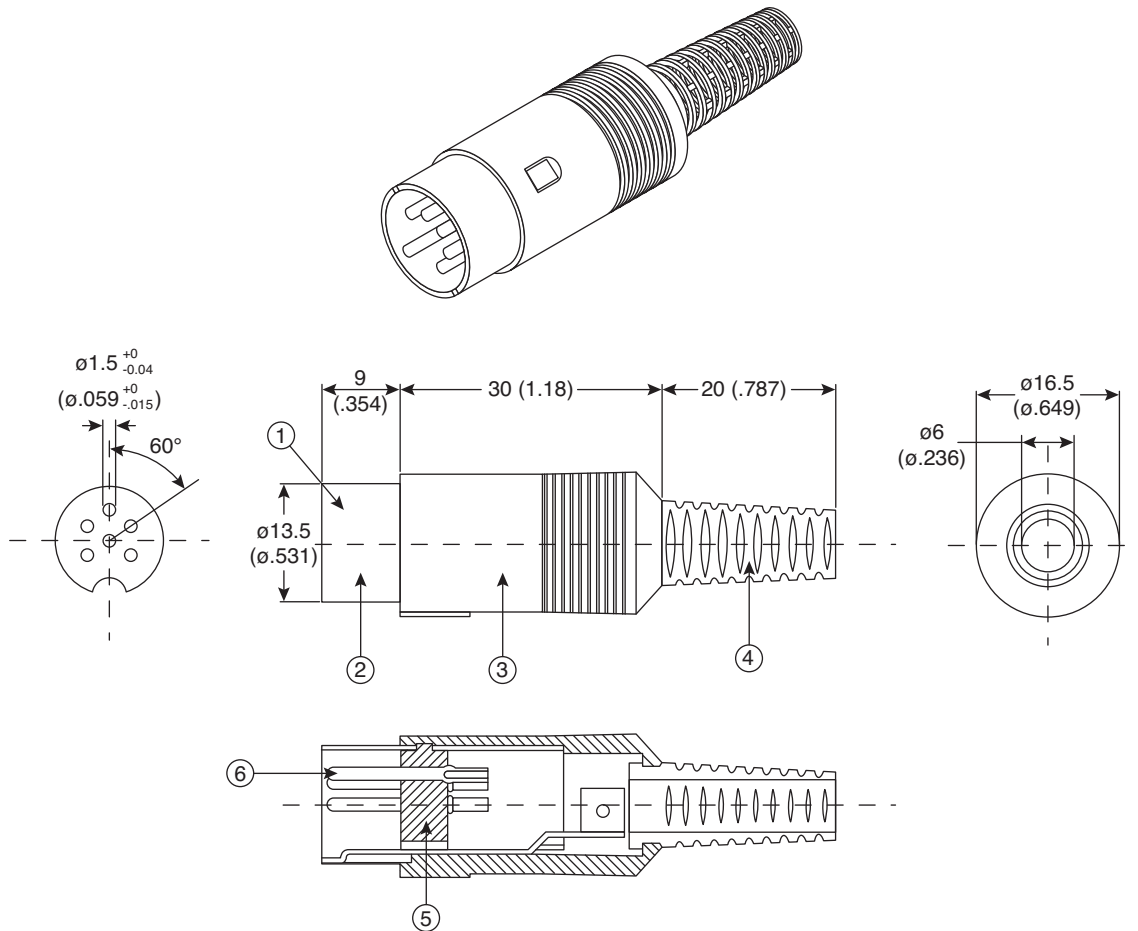


DIN Plug

17PP048-EX

KOBI CONN

DIN Plug



Dimensions: mm (in.)

MATERIAL SPECIFICATIONS			ELECTRICAL SPECIFICATIONS	
1	Contact A-1:	Steel	Type:	6 Pin DIN
2	Contact A-2:	Steel	Dielectric Strength:	250V @ 1 Minute
3	Cap:	PVA	Insulation Resistance:	100MΩ
4	Protector:	PVC	Contact Resistance:	30mΩ
5	Insulator:	PBT G=15%	Degree of Arc:	240°
6	Contact Pin:	Brass	Color:	Gray
RoHS Compliant by Exemption			RoHS Compliant by Exemption	

Date Last Revised: 9/13/10

Available from Mouser Electronics
1-800-346-6873 / www.mouser.com

KC-300878

17PP048-EX

Mouser Electronics

Authorized Distributor

Click to View Pricing, Inventory, Delivery & Lifecycle Information:

[Kobiconn:](#)

[17PP048-EX](#)