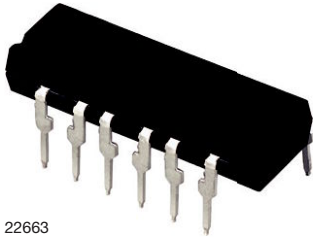
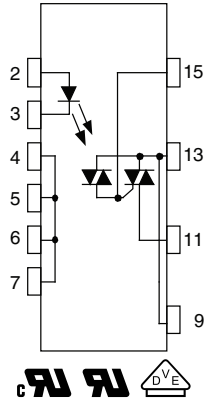


## Optocoupler, Power Phototriac



22663



### FEATURES

- Maximum trigger current ( $I_{FT}$ ): 10 mA
- Isolation test voltage 5300 V<sub>RMS</sub>
- Peak off-state voltage 600 V
- Load current 1 A
- $dV/dt$  of 500 V/ $\mu$ s
- Pure tin leads

### APPLICATIONS

- Triac driver
- Programmable controllers
- AC-output module

### AGENCY APPROVALS

- UL - E52744 system code H
- CUL - E52744 system code H
- VDE - DIN EN 60747-5-5 (VDE 0884-5)

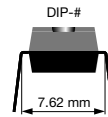
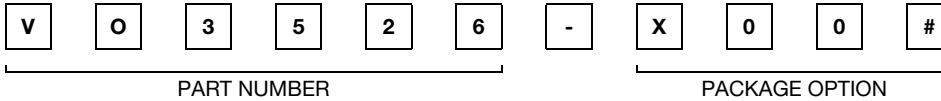
### DESCRIPTION

The VO3526 is an optically couple phototriac driving a power triac in a DIP-10 (16) package.



PIN	FUNCTION
2	LED anode
3	LED cathode
4	No connection
5	No connection
6	No connection
7	No connection
9, 13	Triac T2
11	Triac T1
15	Triac gate

### ORDERING INFORMATION



AGENCY CERTIFIED/PACKAGE	TRIGGER, CURRENT $I_{FT}$ (mA)
VDE, UL, cUL	10
DIP-10, tubes	VO3526

#### Note

- For additional information on the possible lead bend and VDE options refer to option information.

### ABSOLUTE MAXIMUM RATINGS ( $T_{amb} = 25\text{ }^{\circ}\text{C}$ , unless otherwise specified)

PARAMETER	TEST CONDITION	SYMBOL	VALUE	UNIT
<b>INPUT</b>				
LED continuous forward current		$I_F$	50	mA
LED reverse voltage		$V_R$	5.0	V
<b>OUTPUT</b>				
Repetitive peak off-state voltage	Sine wave, 50 to 60 Hz, gate open	$V_{DRM}$	600	V
On-state RMS current		$I_{T(RMS)}$	1.0	A
Peak nonrepetitive surge current (50 Hz, peak)		$I_{TSM}$	10	A

<b>ABSOLUTE MAXIMUM RATINGS</b> ( $T_{amb} = 25\text{ }^{\circ}\text{C}$ , unless otherwise specified)				
PARAMETER	TEST CONDITION	SYMBOL	VALUE	UNIT
<b>COUPLER</b>				
Total power dissipation		$P_{diss}$	1.2	W
Ambient temperature range		$T_{amb}$	- 40 to + 85	$^{\circ}\text{C}$
Storage temperature range		$T_{stg}$	- 40 to + 125	$^{\circ}\text{C}$
Soldering temperature <sup>(1)</sup>	$t \leq 10\text{ s max.}$	$T_{sld}$	260	$^{\circ}\text{C}$
Isolation test voltage	for 1.0 s	$V_{ISO}$	5300	$V_{RMS}$

**Notes**

- Stresses in excess of the absolute maximum ratings can cause permanent damage to the device. Functional operation of the device is not implied at these or any other conditions in excess of those given in the operational sections of this document. Exposure to absolute maximum ratings for extended periods of the time can adversely affect reliability.

<sup>(1)</sup> Refer to wave profile for soldering conditions for through hole devices.

<sup>(2)</sup> Total power dissipation value is based on 2S2P PCB. Refer to power phototriac application note for PCB design tips.

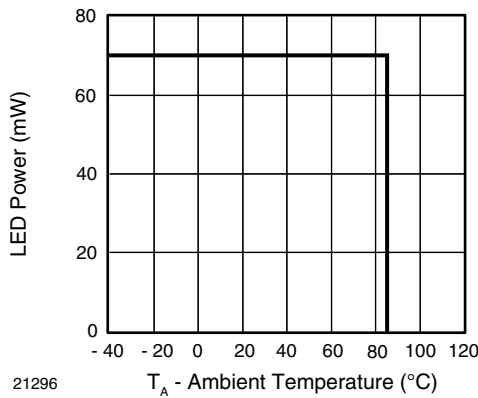
**ABSOLUTE MAXIMUM RATING CURVES**


Fig. 1 - Power Dissipation vs. Temperature

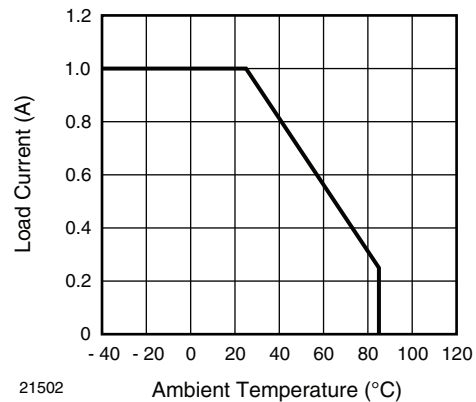


Fig. 2 - Allowable Load Current vs. Ambient Temperature

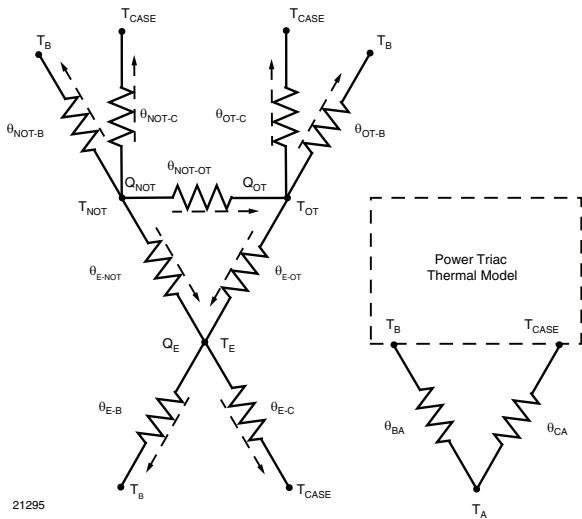
**Note**

- The allowable load current was calculated out under a given operating conditions and only for reference:  
LED power:  $Q_E = 0.015\text{ W}$ ,  $\theta_{BA}$  (4-layer) =  $30\text{ }^{\circ}\text{C/W}$

<b>THERMAL CHARACTERISTICS</b>			
PARAMETER	SYMBOL	VALUE	UNIT
Maximum LED junction temperature	$T_{jmax}$	105	$^{\circ}\text{C}$
Maximum NOT junction temperature	$T_{jmax}$	105	$^{\circ}\text{C}$
Thermal resistance, junction NOT to bord	$\theta_{NOT-B}$	75	$^{\circ}\text{C/W}$
Thermal resistance, junction NOT to case	$\theta_{NOT-C}$	150	$^{\circ}\text{C/W}$
Thermal resistance, junction OT to board	$\theta_{OT-B}$	158	$^{\circ}\text{C/W}$
Thermal resistance, junction OT to case	$\theta_{OT-C}$	157	$^{\circ}\text{C/W}$
Thermal resistance, junction emitter to board	$\theta_{E-B}$	149	$^{\circ}\text{C/W}$
Thermal resistance, junction emitter to case	$\theta_{E-C}$	161	$^{\circ}\text{C/W}$
Thermal resistance, junction NOT to junction OT	$\theta_{NOT-OT}$	243	$^{\circ}\text{C/W}$
Thermal resistance, junction emitter to junction NOT	$\theta_{E-NOT}$	420	$^{\circ}\text{C/W}$
Thermal resistance, junction emitter to junction OT	$\theta_{E-OT}$	235	$^{\circ}\text{C/W}$
Thermal resistance, case to ambient	$\theta_{CA}$	130	$^{\circ}\text{C/W}$

**Note**

- The thermal model is represented in the thermal network below. Each resistance value given in this model can be used to calculate the temperatures at each node for a given operating condition. The thermal resistance from board to ambient will be dependent on the type of PCB, layout and thickness of copper traces. For a detailed explanation of the thermal model, please reference Vishay's Thermal Characteristics of Power Phototriac application note.



Thermal Model

- NOT: Non-opto-triac
- OT: Opto-triac
- T<sub>B</sub>: Board temperature
- T<sub>CASE</sub>: Case temperature
- T<sub>A</sub>: Ambient temperature
- θ<sub>BA</sub>: Thermal resistance, board to ambient
- Q<sub>E</sub>: LED power dissipation
- Q<sub>OT</sub>: OT power dissipation
- Q<sub>NOT</sub>: NOT power dissipation

<b>ELECTRICAL CHARACTERISTICS</b> (T <sub>amb</sub> = 25 °C, unless otherwise specified)						
PARAMETER	TEST CONDITION	SYMBOL	MIN.	TYP.	MAX.	UNIT
<b>INPUT</b>						
LED trigger current	V <sub>T</sub> = 6 V	I <sub>FT</sub>			10	mA
Input reverse current	V <sub>R</sub> = 5 V	I <sub>R</sub>			10	μA
LED forward voltage	I <sub>F</sub> = 10 mA	V <sub>F</sub>	0.9		1.4	V
<b>OUTPUT</b>						
Peak on-state voltage	I <sub>TM</sub> = 1.5 A	V <sub>TM</sub>			1.7	V
Repetitive peak off-state current	V <sub>DRM</sub> = 600 V, T <sub>A</sub> = 110 °C, 60 Hz	I <sub>DRM</sub>			100	μA
Holding current	R <sub>L</sub> = 100 Ω	I <sub>H</sub>			25	mA
Critical rate of rise of off-state voltage	V <sub>IN</sub> = 400 V (fig. 3)	dV/dt <sub>cr</sub>		210		V/μs
Critical rate of rise of commutating voltage	V <sub>IN</sub> = 240 V <sub>RMS</sub> , I <sub>T</sub> = 1 A <sub>RMS</sub> (fig. 3)	dV/dt <sub>crq</sub>		0.9		V/μs

**Note**

- Minimum and maximum values are testing requirements. Typical values are characteristics of the device and are the result of engineering evaluations. Typical values are for information only and are not part of the testing requirements.

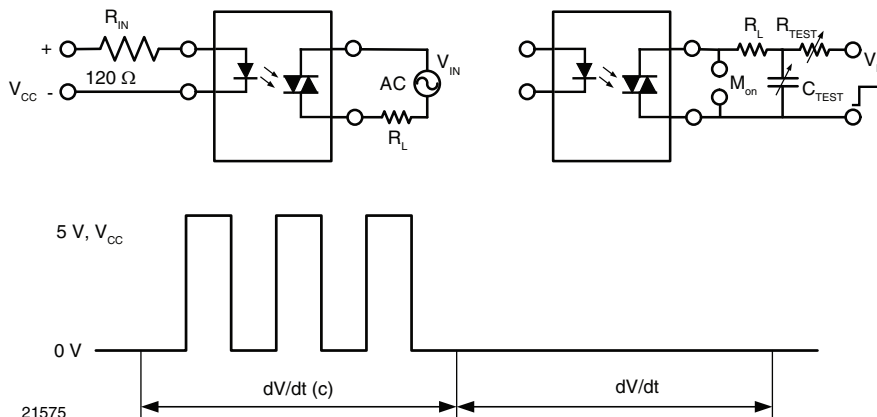


Fig. 3 - dV/dt Test Circuit



RECOMMENDED OPERATING CONDITIONS						
PARAMETER		TEST CONDITION	SYMBOL	MIN.	MAX.	UNIT
Forward current at on-state		Input	$I_{F(ON)}$	10	20	mA
Forward current at off-state			$I_{F(OFF)}$	0	0.1	mA
Load supply voltage		Output	With snubber (0.022 $\mu$ F, 47 $\Omega$ )	$V_{OUT(RMS)}$	240	V
On-state RMS current	$T_A = 40\text{ }^\circ\text{C}$		On 4-layer PCB ( $R_{BA} = 30\text{ }^\circ\text{C/W}$ )	$I_{OUT(RMS)}$	0.8	A
	$T_A = 60\text{ }^\circ\text{C}$	0.6			A	
Frequency			f	50	60	Hz
Operating temperature				- 40	85	$^\circ\text{C}$

SAFETY AND INSULATION RATINGS							
PARAMETER		TEST CONDITION	SYMBOL	MIN.	TYP.	MAX.	UNIT
Climatic classification		IEC 68 part 1			40/85/21		
Pollution degree		DIN VDE 0109			2		
Tracking resistance (comparative tracking index)		Insulation group IIIa	CTI	175			
Highest allowable overvoltage		Transient overvoltage	$V_{IOTM}$	8000			$V_{peak}$
Maximum working insulation voltage		Recurring peak voltage	$V_{IORM}$	890			$V_{peak}$
Insulation resistance at 25 $^\circ\text{C}$		$V_{IO} = 500\text{ V}$	$R_{IS}$			$\geq 10^{12}$	$\Omega$
Insulation resistance at $T_S$		$V_{IO} = 500\text{ V}$	$R_{IS}$			$\geq 10^9$	$\Omega$
Insulation resistance at 100 $^\circ\text{C}$		$V_{IO} = 500\text{ V}$	$R_{IS}$			$\geq 10^{11}$	$\Omega$
Partial discharge test voltage		Method b, $V_{pd} = V_{IORM} \times 1.6$	$V_{pd}$			1424	$V_{peak}$
Safety limiting values - maximum values allowed in the event of a failure	Output power		$P_{SO}$			2	W
	Input current		$I_{SI}$			150	mA
	Case temperature		$T_{SI}$			165	$^\circ\text{C}$
Minimum external air gap (clearance)		Measured from input terminals to output terminals, shortest distance through air		$\geq 7$			mm
Minimum external tracking (creepage)		Measured from input terminals to output terminals, shortest distance path along body		$\geq 7$			mm

**Note**

- This phototriac coupler is suitable for 'safe electrical insulation' only within the safety ratings. Compliance with safety ratings shall be ensured by means of protective circuits.

**TYPICAL CHARACTERISTICS** ( $T_{amb} = 25\text{ }^{\circ}\text{C}$ , unless otherwise specified)

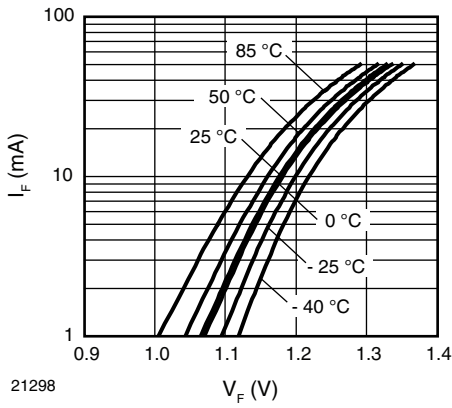


Fig. 4 - Forward Current vs. Forward Voltage

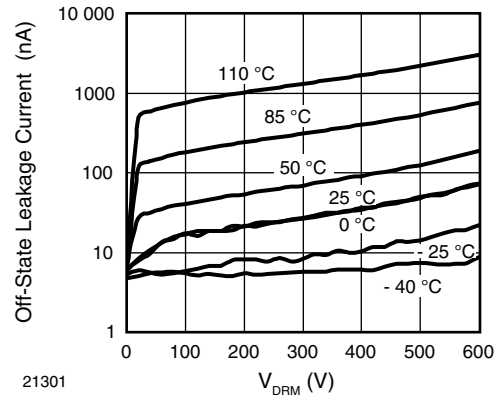


Fig. 7 - Off-State Leakage Current vs. Voltage

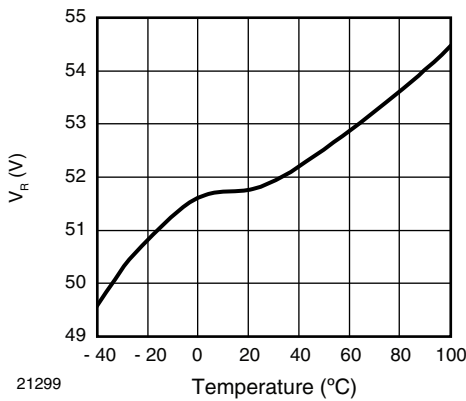


Fig. 5 - Diode Reverse Voltage vs. Temperature

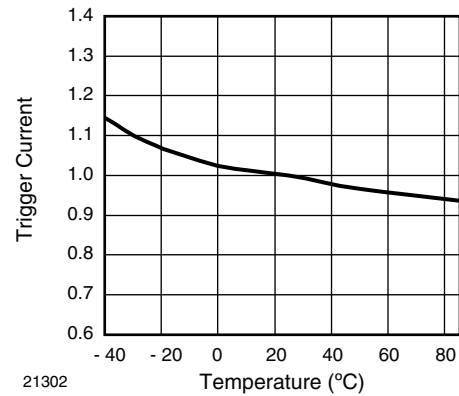


Fig. 8 - Normalized Trigger Input Current vs. Temperature

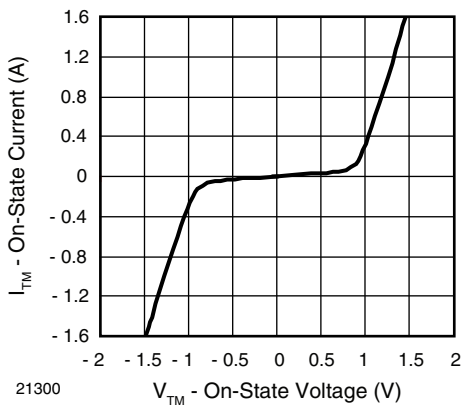


Fig. 6 - On-State Current vs. On State Voltage

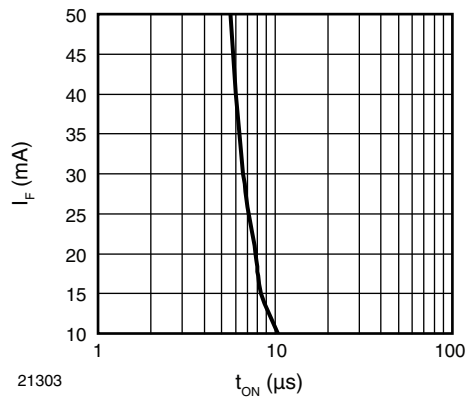


Fig. 9 - Trigger Input Current vs. Turn-on Time

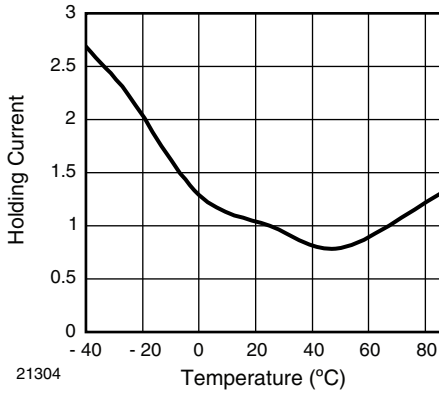


Fig. 10 - Normalized Holding Current vs. Temperature

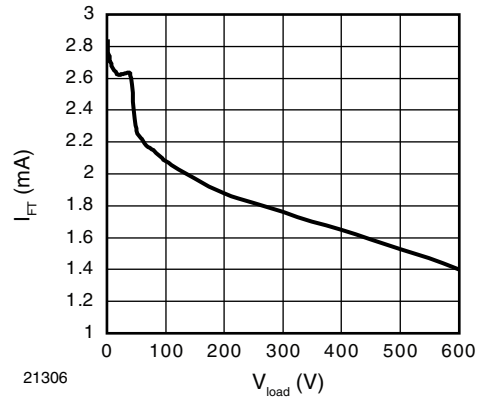


Fig. 12 - Trigger Current vs. V<sub>load</sub>

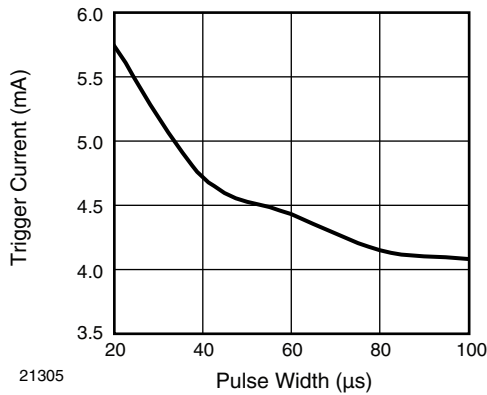
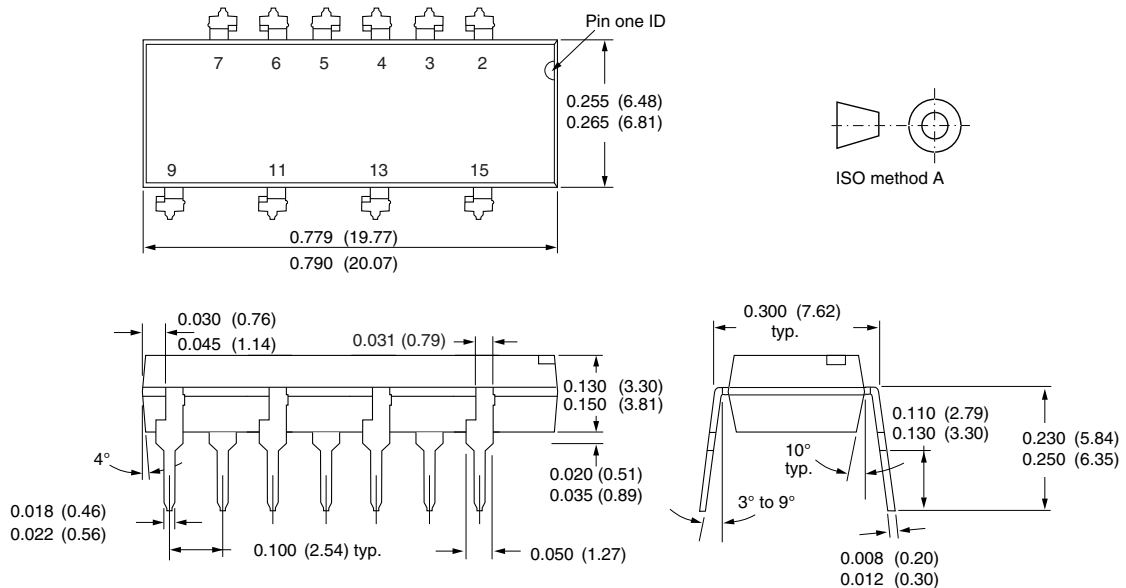


Fig. 11 - Trigger Current vs. Trigger Pulse Width

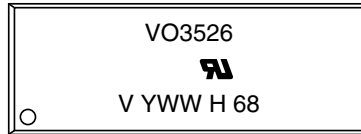
**PACKAGE DIMENSIONS** in inches (millimeters)



21083



**PACKAGE MARKING**





## **Disclaimer**

ALL PRODUCT, PRODUCT SPECIFICATIONS AND DATA ARE SUBJECT TO CHANGE WITHOUT NOTICE TO IMPROVE RELIABILITY, FUNCTION OR DESIGN OR OTHERWISE.

Vishay Intertechnology, Inc., its affiliates, agents, and employees, and all persons acting on its or their behalf (collectively, "Vishay"), disclaim any and all liability for any errors, inaccuracies or incompleteness contained in any datasheet or in any other disclosure relating to any product.

Vishay makes no warranty, representation or guarantee regarding the suitability of the products for any particular purpose or the continuing production of any product. To the maximum extent permitted by applicable law, Vishay disclaims (i) any and all liability arising out of the application or use of any product, (ii) any and all liability, including without limitation special, consequential or incidental damages, and (iii) any and all implied warranties, including warranties of fitness for particular purpose, non-infringement and merchantability.

Statements regarding the suitability of products for certain types of applications are based on Vishay's knowledge of typical requirements that are often placed on Vishay products in generic applications. Such statements are not binding statements about the suitability of products for a particular application. It is the customer's responsibility to validate that a particular product with the properties described in the product specification is suitable for use in a particular application. Parameters provided in datasheets and / or specifications may vary in different applications and performance may vary over time. All operating parameters, including typical parameters, must be validated for each customer application by the customer's technical experts. Product specifications do not expand or otherwise modify Vishay's terms and conditions of purchase, including but not limited to the warranty expressed therein.

Except as expressly indicated in writing, Vishay products are not designed for use in medical, life-saving, or life-sustaining applications or for any other application in which the failure of the Vishay product could result in personal injury or death. Customers using or selling Vishay products not expressly indicated for use in such applications do so at their own risk. Please contact authorized Vishay personnel to obtain written terms and conditions regarding products designed for such applications.

No license, express or implied, by estoppel or otherwise, to any intellectual property rights is granted by this document or by any conduct of Vishay. Product names and markings noted herein may be trademarks of their respective owners.