

Customer Information Sheet

DRAWING No.: M80-5S2XXXXMQ

IF IN DOUBT - ASK

©

NOT TO SCALE

THIRD ANGLE PROJECTION

ALL DIMENSIONS IN mm

SPECIFICATIONS:

MATERIAL:
 MOULDING = GLASS-FILLED PPS,
 UL94V-0, BLACK
 CONTACTS, STRAIN RELIEF STRAPS = BRASS
 JACKSCREW = STAINLESS STEEL

FINISH:
CONTACTS:
 05 = 0.75µ 100% GOLD
 22 = 0.75µ GOLD ON CONTACT AREA,
 3µm 90/10 TIN/LEAD ON TAILS
 42 = 0.75µ GOLD ON CONTACTS AREA,
 3µm 100% TIN OVER NICKEL ON TAILS

STRAIN RELIEF STRAPS:
 2.5µ MIN 100% TIN OVER 1.6µ MIN NICKEL

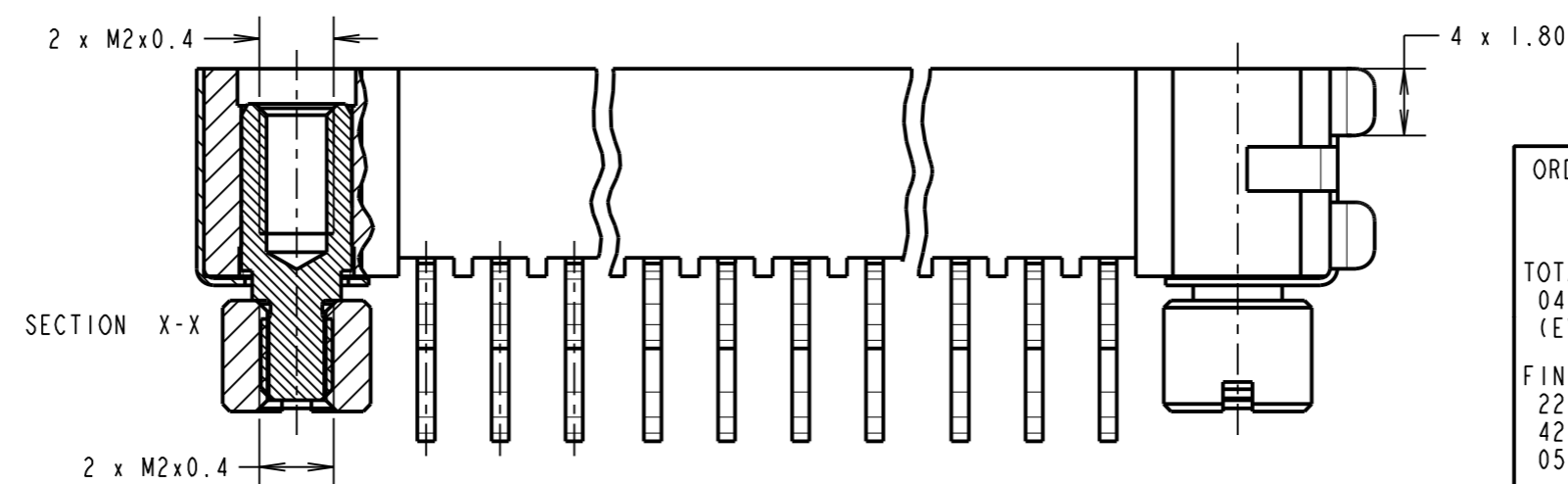
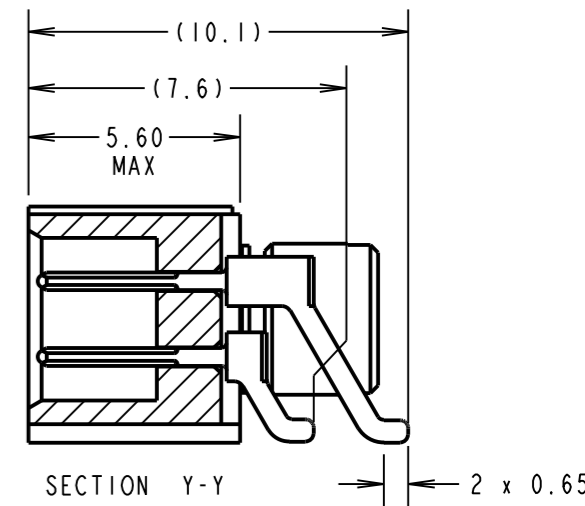
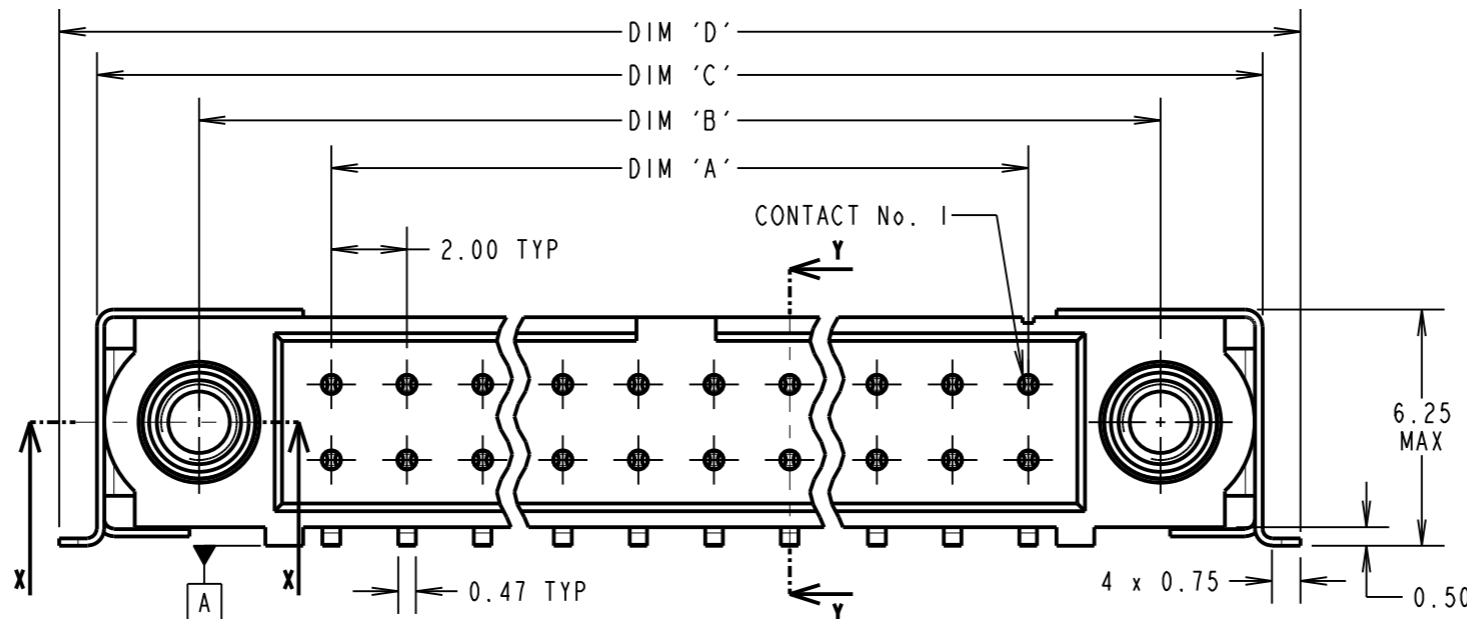
ELECTRICAL:
 CURRENT RATING AT 25°C = 3.0A MAX
 CURRENT RATING AT 85°C = 2.2A MAX
 WORKING VOLTAGE = 800V AC/DC
 VOLTAGE PROOF = 1200V AC/DC
 CONTACT RESISTANCE = 25mΩ MAX
 INSULTAION RESISTANCE = 100MΩ MIN

MECHANICAL:
 DURABILITY = 500 OPERATIONS

ENVIRONMENTAL:
 TEMPERATURE RANGE = -55°C TO +125°C

PACKING:
 TUBE

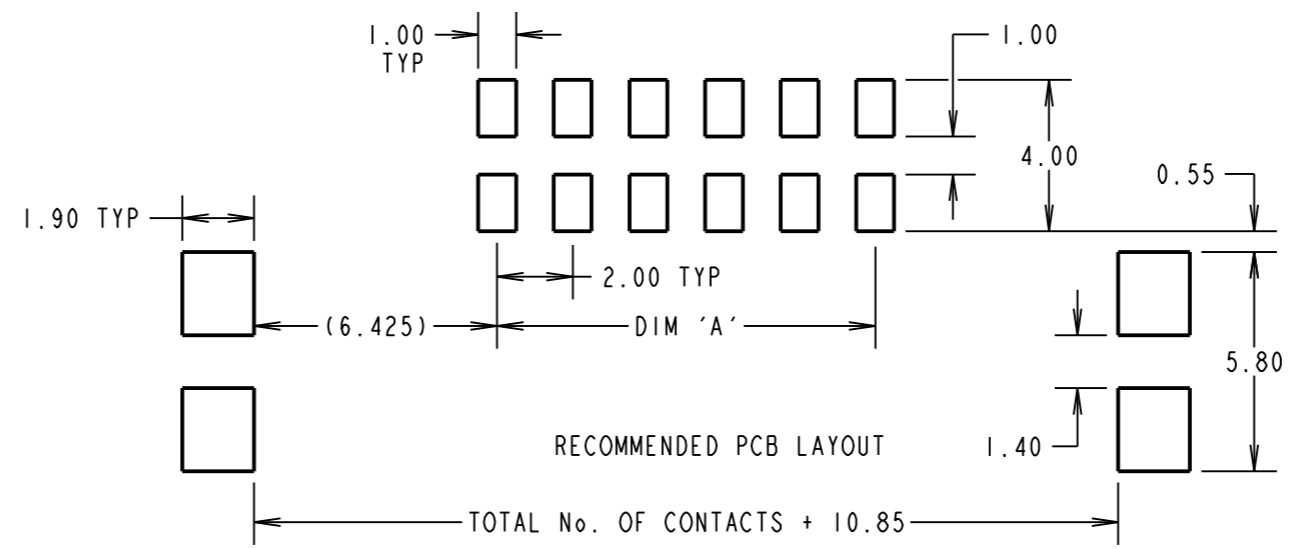
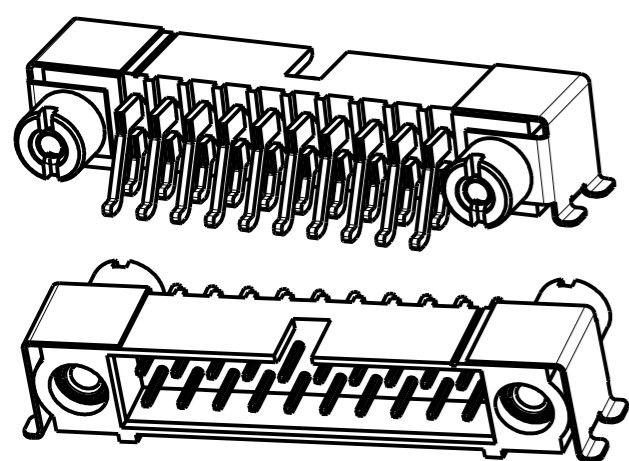
FOR COMPLETE SPECIFICATION, SEE COMPONENT SPECIFICATION C005XX (LATEST ISSUE)



ORDER CODE: **M80-5S2XXXXMQ**

TOTAL No. OF CONTACTS _____
 04 TO 50
 (EVEN NUMBERS ONLY)

FINISH CODE _____
 22 - GOLD CONTACT AREA, TIN/LEAD TAIL
 42 - GOLD CONTACT AREA, 100% TIN OVER NICKEL TAIL
 05 - ALL OVER GOLD



DIMENSION	CALCULATION
DIM 'A'	TOTAL No. OF CONTACTS - 2.00
DIM 'B'	TOTAL No. OF CONTACTS + 5.00
DIM 'C'	TOTAL No. OF CONTACTS + 12.00 MAX
DIM 'D'	TOTAL No. OF CONTACTS + 14.00 MAX

EXAMPLE: CONNECTOR WITH 20 CONTACTS, GOLD ON CONTACT AREA AND 100% TIN OVER NICKEL ON TAIL
 M80-5S22042MQ

DIM 'A' = 18.00mm, DIM 'B' = 25.00mm,
 DIM 'C' = 32.00mm MAX, DIM 'D' = 34.00mm MAX

MSP	6	12.12.14	12724
NAME	ISS.	DATE	C/NOTE
APPROVED:			
CHECKED:			
DRAWN: S. MCCULLAGH			
CUSTOMER REF.:			
ASSEMBLY DRG:			

 www.harwin.com technical@harwin.com	THIS DRAWING AND ANY INFORMATION OR DESCRIPTIVE MATTER SET OUT HEREON ARE CONFIDENTIAL AND COPYRIGHT PROPERTY OF THE HARWIN GROUP AND MUST NOT BE DISCLOSED, LOANED, COPIED OR USED FOR MANUFACTURING, TENDERING OR FOR ANY OTHER PURPOSE WITHOUT THEIR WRITTEN PERMISSION.	TOLERANCES X. = ±1mm X.X = ±0.50mm X.XX = ±0.10mm X.XXX = ±0.01mm ANGLES = ±5° UNLESS STATED	MATERIAL: SEE ABOVE	TITLE: JACKSCREW DATAMATE DIL HORIZONTAL SMT MALE ASSY WITH SMT STRAIN RELIEF STRAPS
		FINISH: SEE ABOVE S/AREA: mm ²	DRAWING NUMBER: M80-5S2XXXXMQ	SHT 2 OF 2