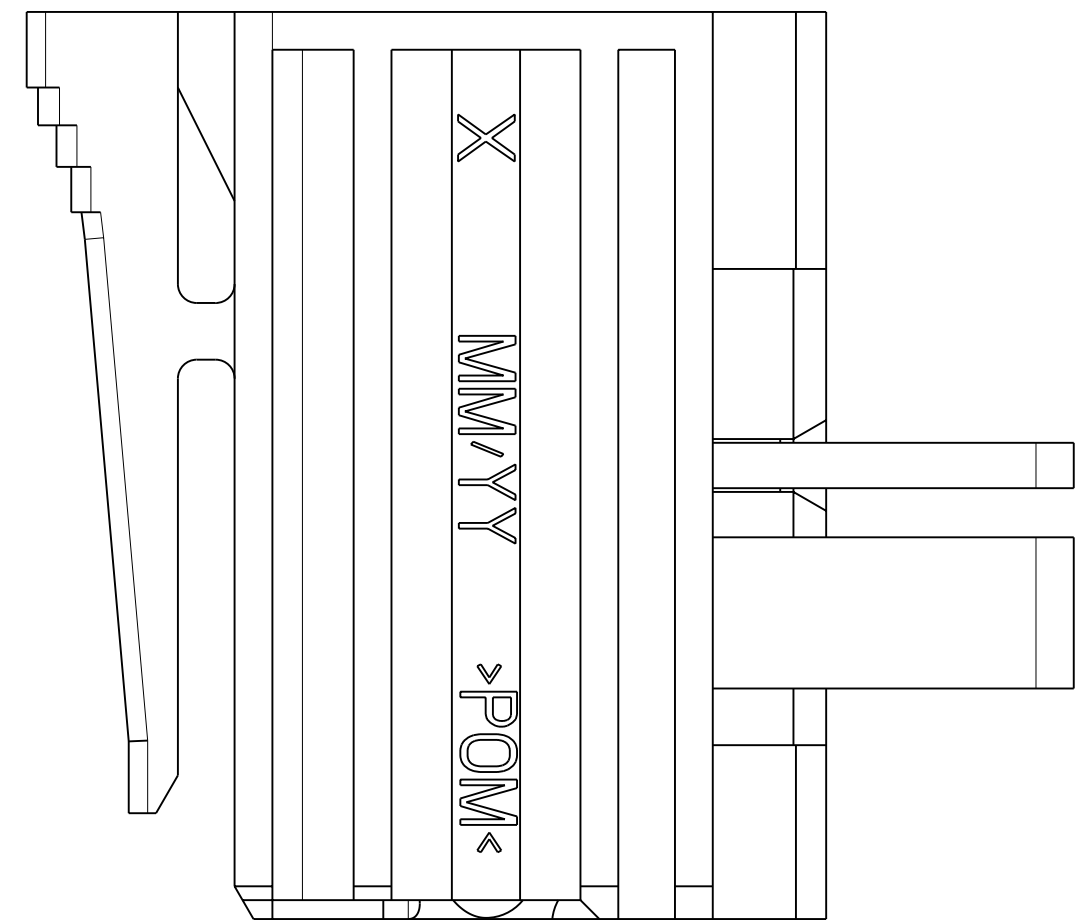
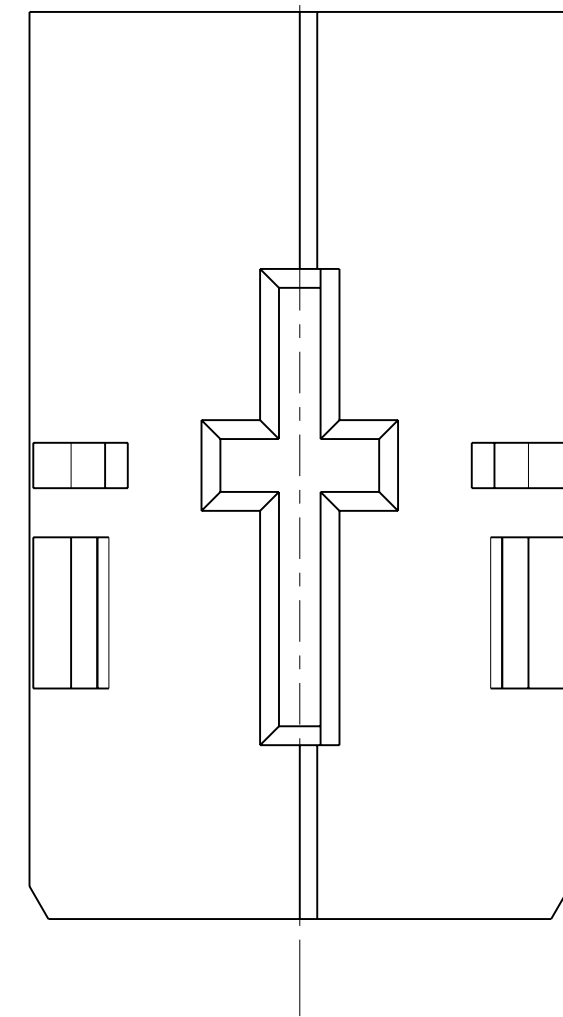
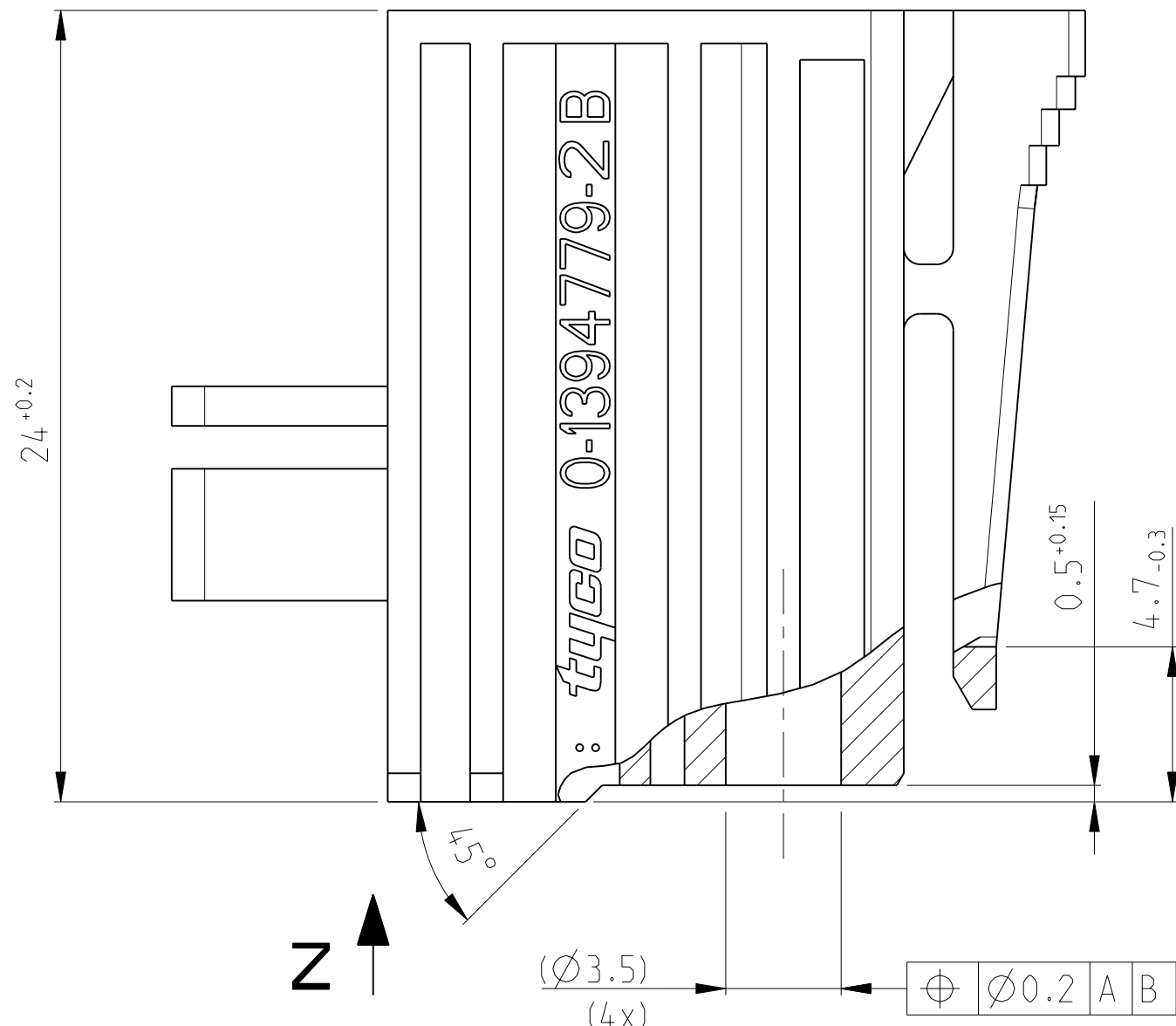
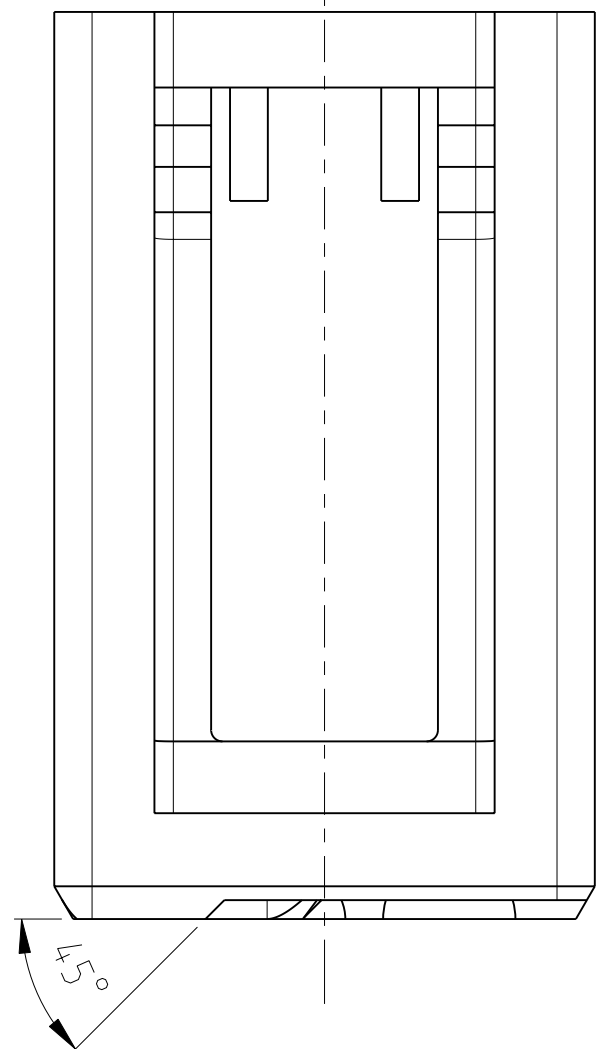


THIS DRAWING IS UNPUBLISHED.  
 VERTRAULICHE UNVERÖFFENTLICHTE ZEICHNUNG  
 © COPYRIGHT 2001 BY TYCO ELECTRONICS CORPORATION. ALL RIGHTS RESERVED.  
 BY TYCO ELECTRONICS CORPORATION. ALLE RECHTE VORBEHALTEN

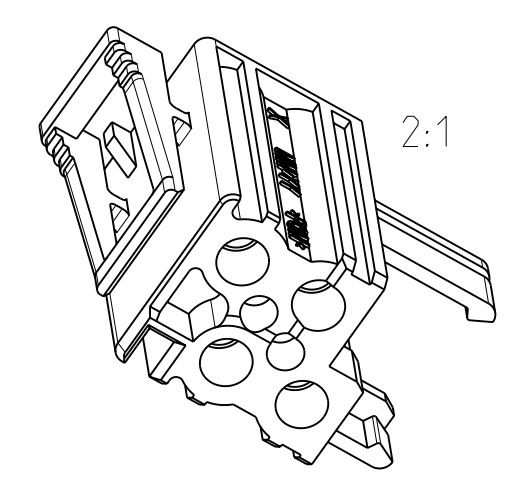
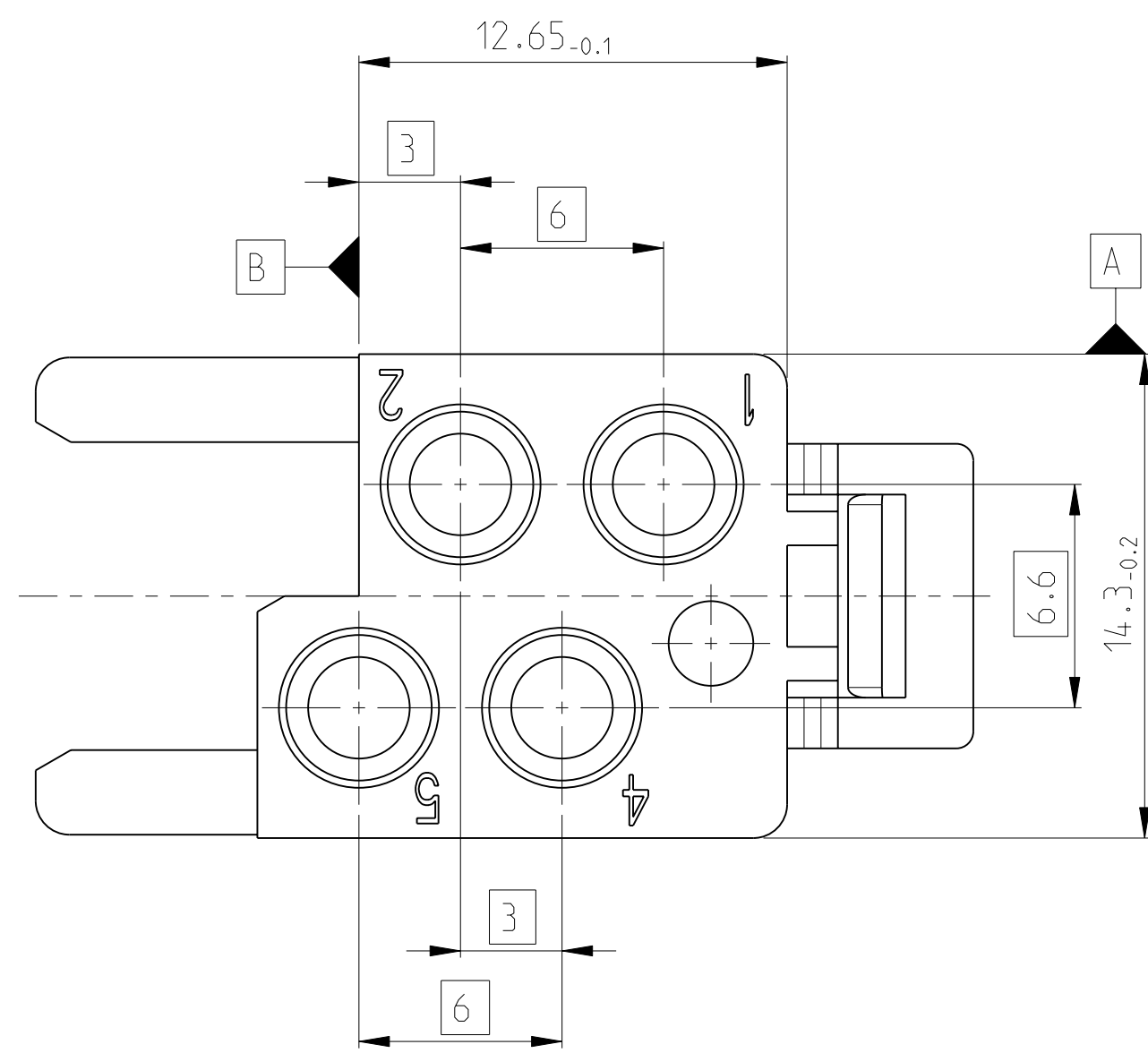
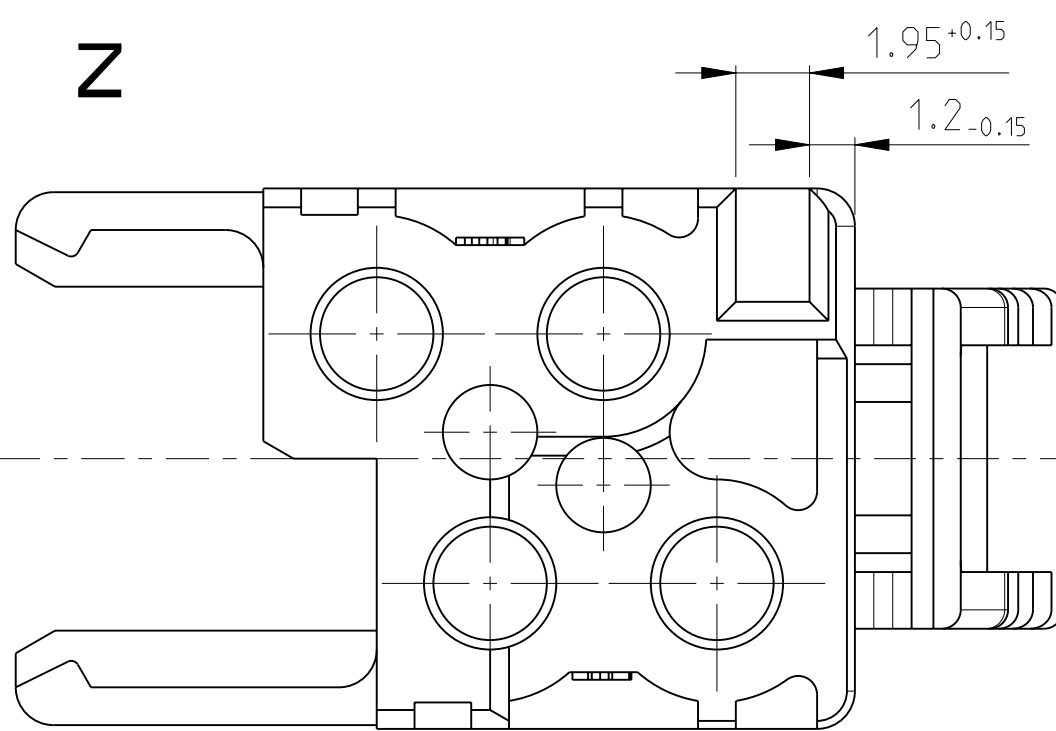
RELEASED FOR PUBLICATION  
 FREI FÜR VERÖFFENTLICHUNG  
 2000

MATED WITH:  
 PASSEND ZU:  
 1394778

LOC	DIST	REVISIONS					
A1	-	P	LTR	DESCRIPTION	DATE	DWN	APVD
		B		NEW DRAWING	13JAN2010	ZP	ZP
		B1		drawing clarification	19MAY2010	ZP	ZP



- FOR SUITABLE CONTACTS SEE DRAWING C-1355063  
USE ONLY CONTACTS VERSION A, UNSEALED
- HOUSING 1394779-2 SUITABLE TO HOUSING 1394778-2
- INTERFACE SPECIFICATION SEE DRAWING 114-18418



1394779-2	B	POM	NATUR	-
PART NO.	PART REV.	MATERIAL	COLOR	RAL

<small>THIS DRAWING IS A CONTROLLED DOCUMENT FOR TYCO ELECTRONICS CORPORATION. IT IS SUBJECT TO CHANGE AND THE CONTROLLING ENGINEERING ORGANIZATION SHOULD BE CONTACTED FOR THE LATEST REVISION.</small> <small>DIESSES ZEICHNUNGSDOKUMENT WIRD DURCH AMP INCORPORATED KONTROLLIERT. ANDERÄNDERUNGEN, DIE DEM TECHNISCHEN FORTSCHRITT DIENEN, SIND VORBEHALTEN. DEN JEWELIS LETZTGÜLTIGEN ÄNDERUNGSSTAND ERFAHREN SIE AUF ANFRAGE.</small>		DWN Z.Polsak 13JAN2010	tyco Electronics AMP GmbH D - 64625 Bensheim	
<small>DIMENSIONS: MASSEINHEITEN: (MM)</small> <small>TOLERANCES UNLESS OTHERWISE SPECIFIED: ALLGEMEINTOLERANZEN</small>		CHK H.Schmidt 13JAN2010	NAME HOUSING DIA 1.5mm RECEPTACLE 4POS.	
<small>0 PLC ±</small> <small>1 PLC ±</small> <small>2 PLC ±</small> <small>3 PLC ±</small> <small>4 PLC ±</small> <small>ANGLES/WINKEL ±°</small> <small>FINISH/OBERFLÄCHE/FARBE -</small>		APVD K.Beck 13JAN2010	SIZE A2	RESTRICTED TO NUR FÜR -
<small>MATERIAL -</small>		PRODUCT SPEC - APPLICATION SPEC - WEIGHT - CUSTOMER DRAWING	CAGE CODE 00779	DRAWING NO. ZEICHNUNGS-NR. C-1394779
		SCALE MASSSTAB 5:1	SHEET BLATT 1	OF VON 1
		REV B1		

# Mouser Electronics

Authorized Distributor

Click to View Pricing, Inventory, Delivery & Lifecycle Information:

[TE Connectivity:](#)

[1394779-1](#)