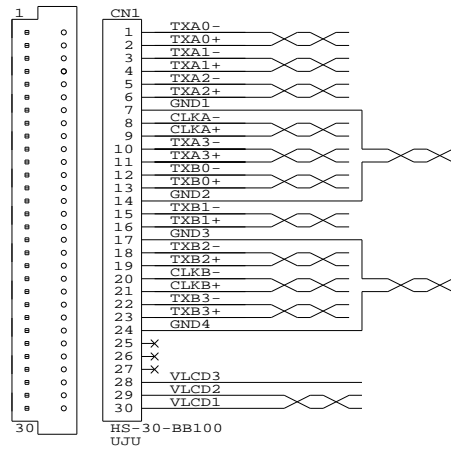
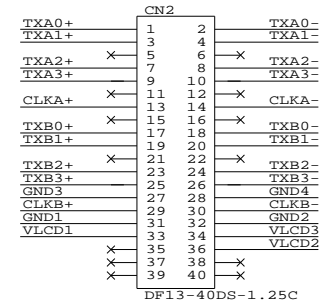


TOLERANCE:
+10mm
-10mm

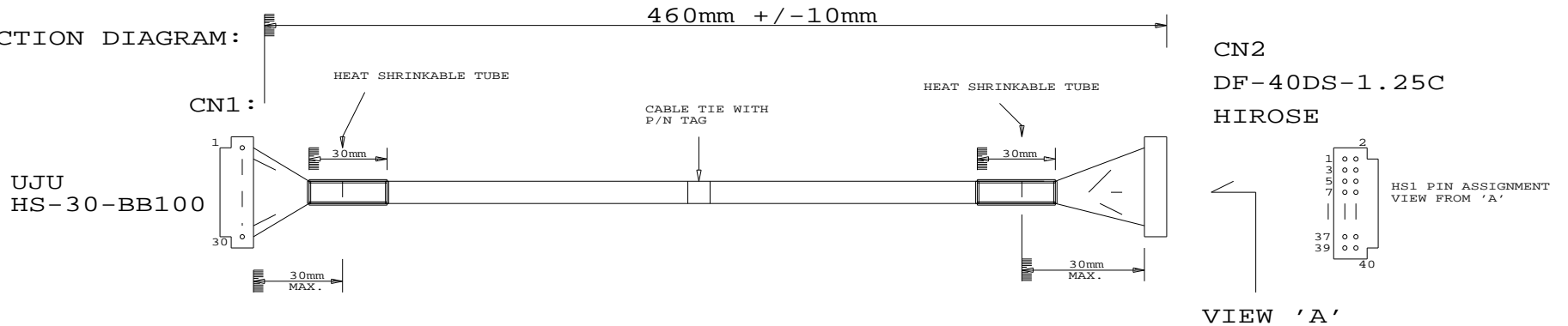
CONNECTION DIAGRAM:



PANEL SIDE



CONSTRUCTION DIAGRAM:



CABLE: SHIELDED ROUND
UL20276, 14 PAIRS, 30AWG

JACKET: PVC COLOR BLACK

REMARK: CABLE REFERENCE -
OKI ORDERING CODE: D0158411, P/N: 7/0.1 10P HRV16-SV

RoHS
COMPLIANCE

DIGITAL VIEW LTD. COPYRIGHT 2006, ALL RIGHTS RESERVED CONFIDENTIAL DRAWN BY: VICTOR NG		
Title LVDS CABLE: SAMSUNG LTM190E4-L02, 460mm		
Size	Document Number	REV
B	(...\DV\DV_CABLE\C6491700.SCH)	01
Date:	August 29, 2006	Sheet 1 of 1

P/N 426491700-3
LVDS CABLE: SAMSUNG LTM190E4-L02, 460mm

Mouser Electronics

Authorized Distributor

Click to View Pricing, Inventory, Delivery & Lifecycle Information:

[Digital View:](#)

[426491700-3](#)