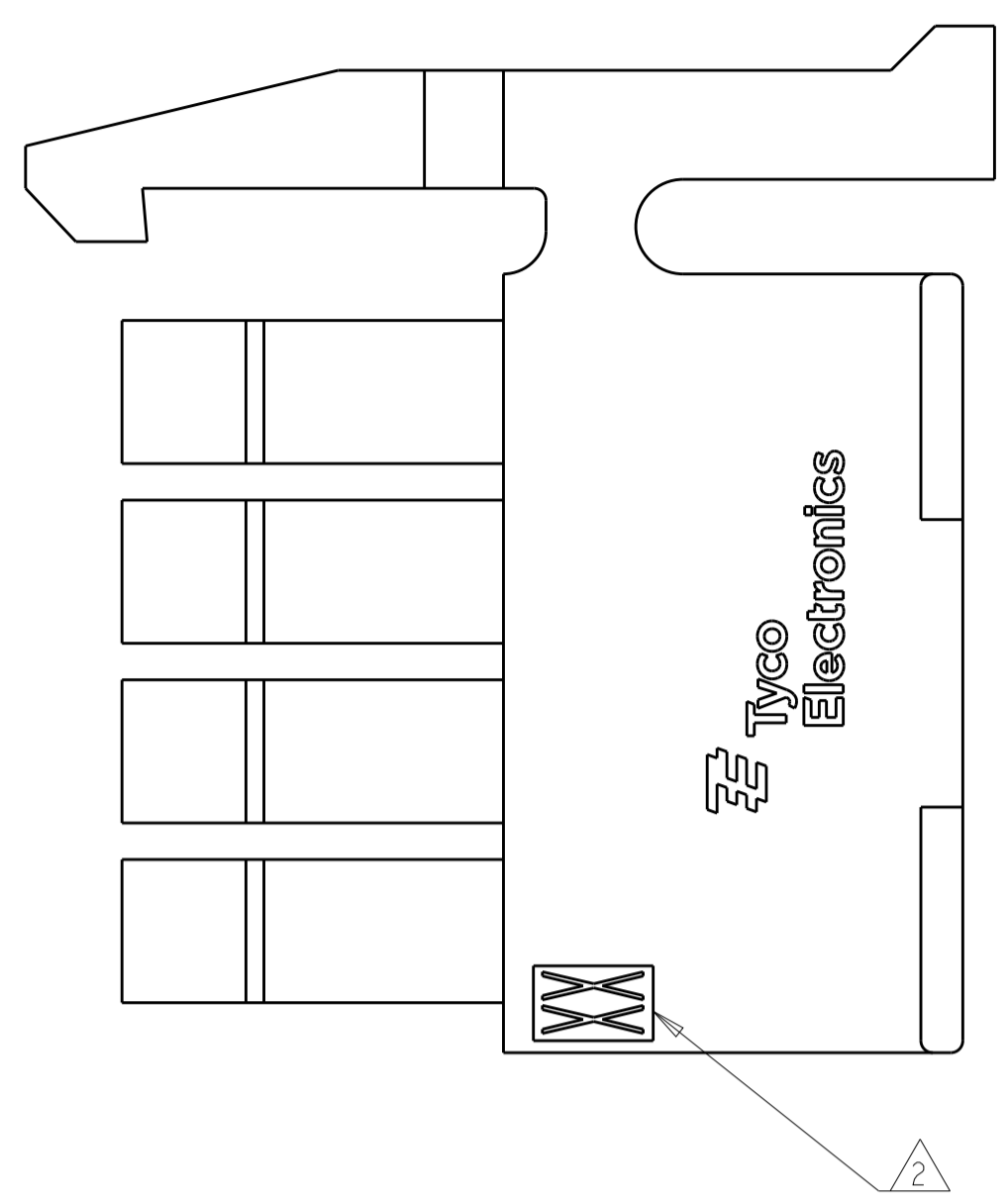
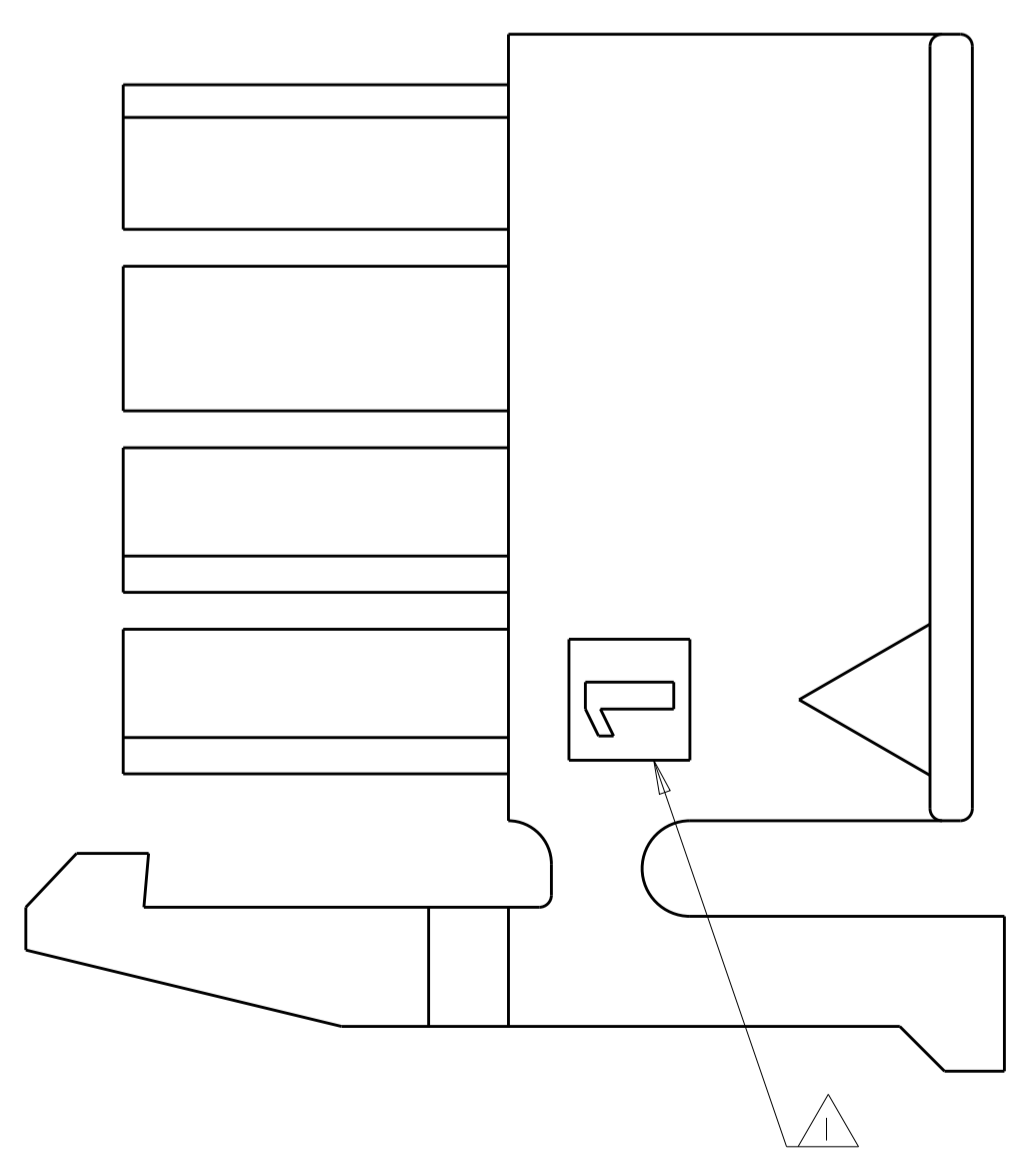
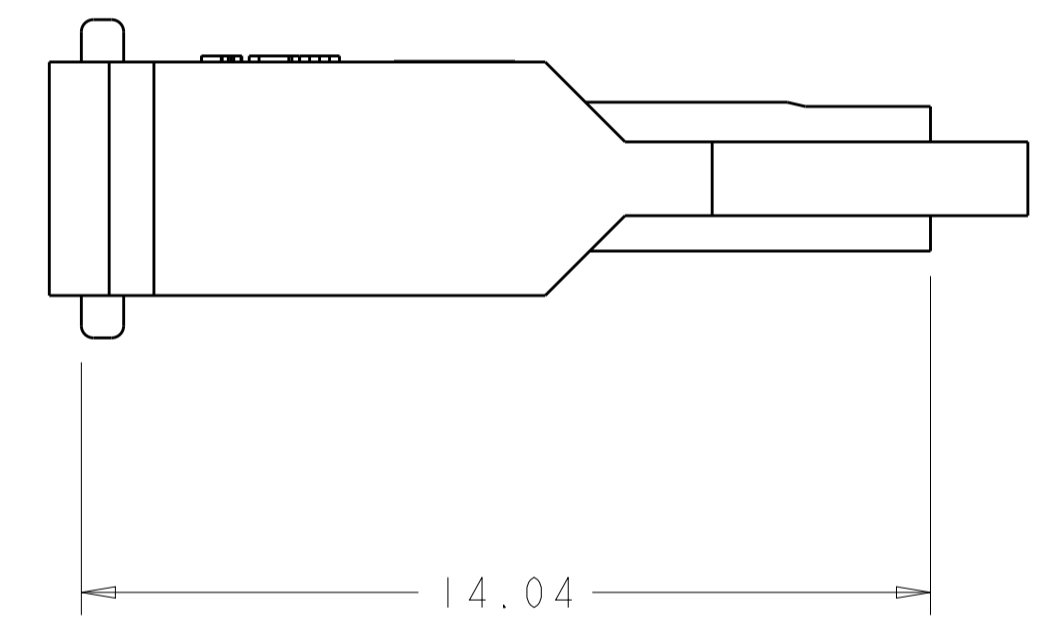
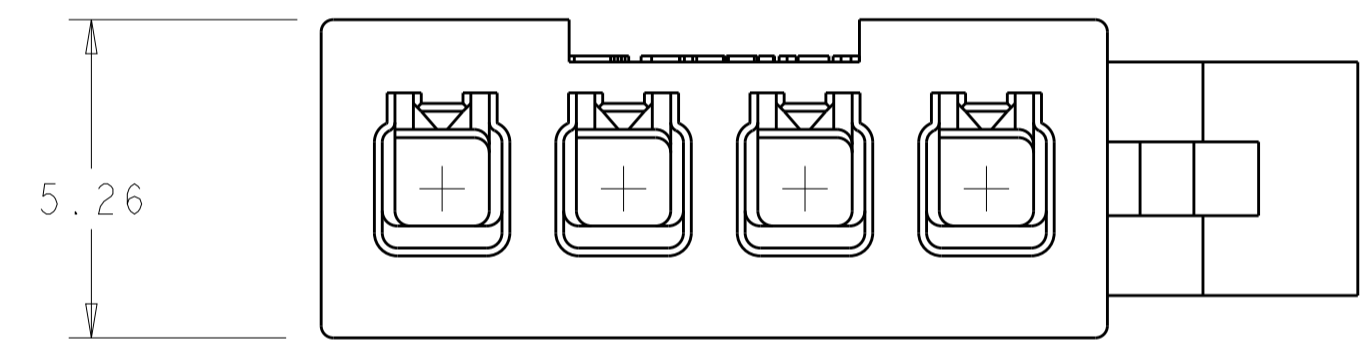
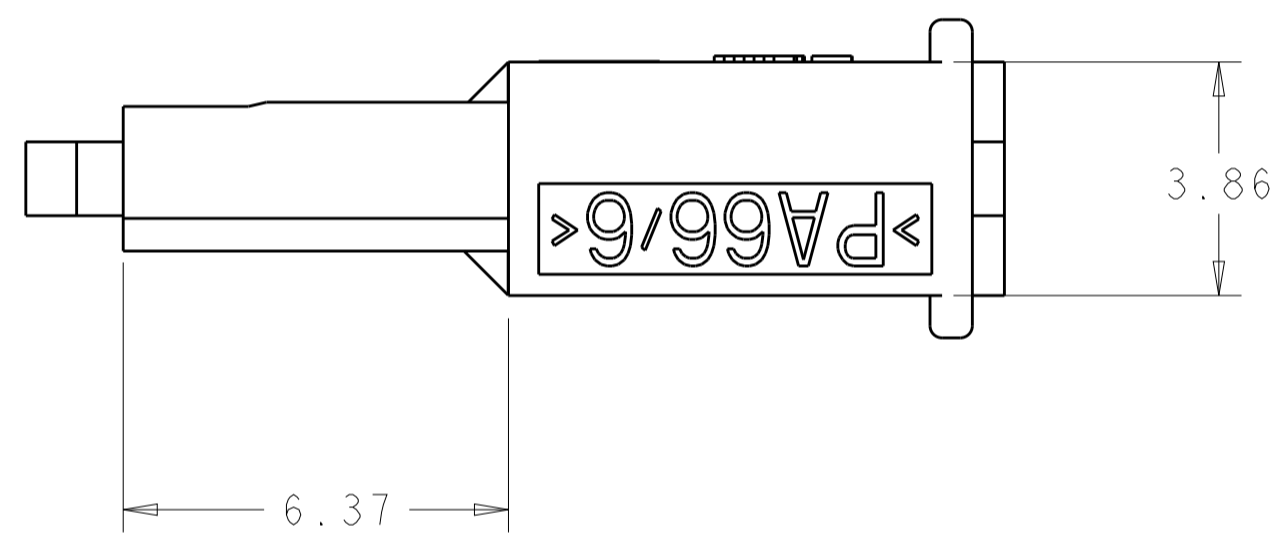
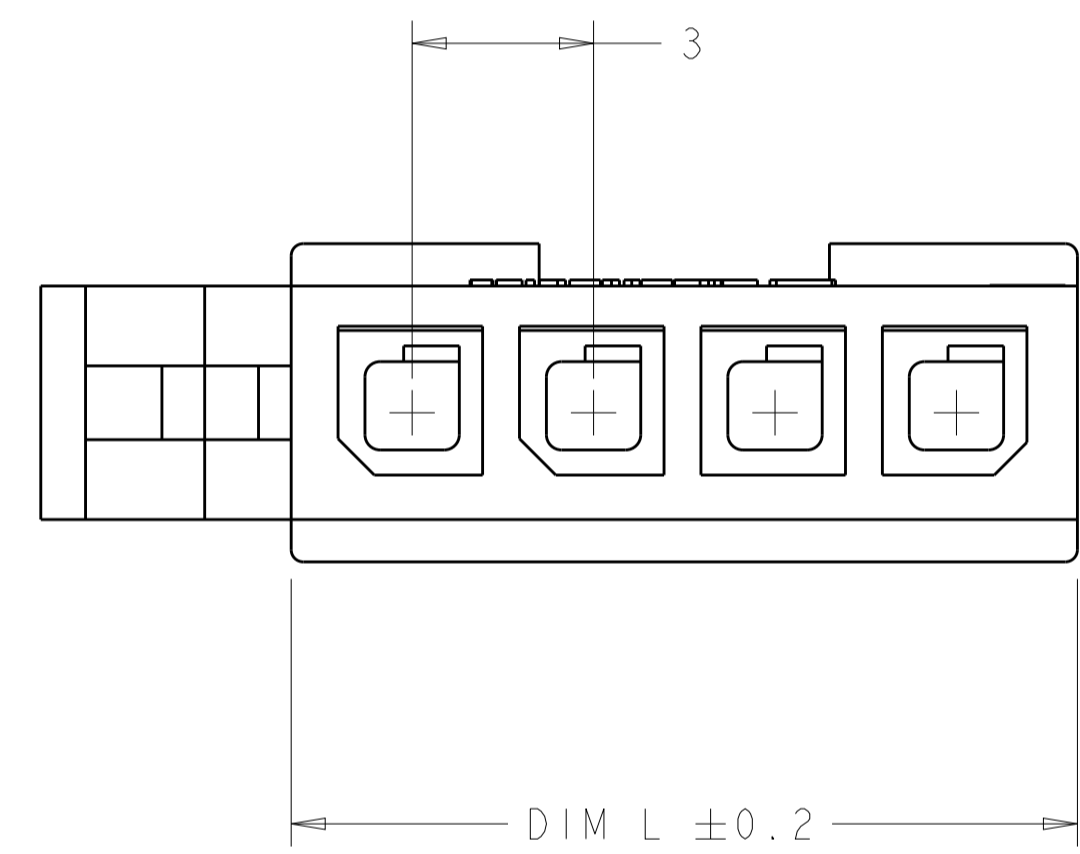


LOC	DIST	REVISIONS			
P	LTN	DESCRIPTION	DATE	DWN	APVD
B		REVISED PER ECO-17-000100	03MAR2017	CX	DZ
B1		REVISED PER ECO-17-007352	10MAY2017	CX	DZ
B2		ECO-19-004882	10APR2019	AP	WS



- ① CIRCUIT 1 IDENTIFIER, LOCATED APPROXIMATELY AS SHOWN.
- ② LAST CIRCUIT IDENTIFIER, LOCATED APPROXIMATELY AS SHOWN.
- ③ MATERIAL NYLON66/6 VO UL94 .
- ④ MATERIAL PA66 VO GW UL94 .
- ⑤ PRELIMINARY PART NOT RELEASED FOR PRODUCTION.



④ ⑤	VOLUME mm ³	DIM L	NO OF POS.	PART NO.
④ ⑤	272.6	7	2	2-2029047-2
③	434.05	13	4	2029047-4
③	353.32	10	3	2029047-3
③	272.6	7	2	2029047-2

THIS DRAWING IS A CONTROLLED DOCUMENT.

DIMENSIONS:	TOLERANCES UNLESS OTHERWISE SPECIFIED:	DWN R. WHITAKER 03JAN2008	CHK C. JONES 03JAN2008	APVD C. JONES 03JAN2008
mm	0 PLC ± 2 PLC ±0.13 3 PLC ± 4 PLC ±	PRODUCT SPEC	108-1836	APPLICATION SPEC
	ANGLES ±1°	FINISH	114-13000	RESTRICTED TO
MATERIAL NYLON, UL94V-0 BLACK		WEIGHT	A100779C=2029047	RESTRICTED CUSTOMER

STE TE Connectivity
 RECEPTACLE HOUSING, SPECIAL, SINGLE ROW, MICRO MATE-L-LOK(TM)
 SIZE CAGE CODE DRAWING NO. RESTRICTED TO
 SCALE 8:1 SHEET 1 OF 1 REV B2