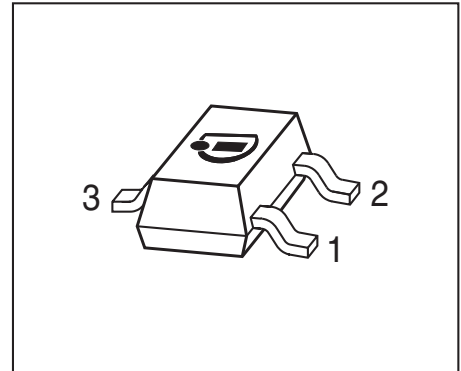


**NPN Silicon Switching Transistor**

- Low collector-emitter saturation voltage
- Complementary type:  
SMBT2907A / MMBT2907A (PNP)
- Pb-free (RoHS compliant) package
- Qualified according AEC Q101



Type	Marking	Pin Configuration			Package
SMBT2222A/MMBT2222A	s1P	1 = B	2 = E	3 = C	SOT23

**Maximum Ratings**

Parameter	Symbol	Value	Unit
Collector-emitter voltage	$V_{CEO}$	40	V
Collector-base voltage	$V_{CBO}$	75	
Emitter-base voltage	$V_{EBO}$	6	
Collector current	$I_C$	600	mA
Total power dissipation- $T_S \leq 77\text{ °C}$	$P_{tot}$	330	mW
Junction temperature	$T_j$	150	°C
Storage temperature	$T_{stg}$	-65 ... 150	

**Thermal Resistance**

Parameter	Symbol	Value	Unit
Junction - soldering point <sup>1)</sup>	$R_{thJS}$	$\leq 220$	K/W

<sup>1)</sup>For calculation of  $R_{thJA}$  please refer to Application Note AN077 (Thermal Resistance Calculation)

**Electrical Characteristics** at  $T_A = 25^\circ\text{C}$ , unless otherwise specified

Parameter	Symbol	Values			Unit
		min.	typ.	max.	
<b>DC Characteristics</b>					
Collector-emitter breakdown voltage $I_C = 10\text{ mA}, I_B = 0$	$V_{(BR)CEO}$	40	-	-	V
Collector-base breakdown voltage $I_C = 10\text{ }\mu\text{A}, I_E = 0$	$V_{(BR)CBO}$	75	-	-	
Emitter-base breakdown voltage $I_E = 10\text{ }\mu\text{A}, I_C = 0$	$V_{(BR)EBO}$	6	-	-	
Collector-base cutoff current $V_{CB} = 60\text{ V}, I_E = 0$ $V_{CB} = 60\text{ V}, I_E = 0, T_A = 150^\circ\text{C}$	$I_{CBO}$	-	-	0.01 10	$\mu\text{A}$
Emitter-base cutoff current $V_{EB} = 3\text{ V}, I_C = 0$	$I_{EBO}$	-	-	10	nA
DC current gain <sup>1)</sup> $I_C = 100\text{ }\mu\text{A}, V_{CE} = 10\text{ V}$ $I_C = 1\text{ mA}, V_{CE} = 10\text{ V}$ $I_C = 10\text{ mA}, V_{CE} = 10\text{ V}$ $I_C = 150\text{ mA}, V_{CE} = 1\text{ V}$ $I_C = 150\text{ mA}, V_{CE} = 10\text{ V}$ $I_C = 500\text{ mA}, V_{CE} = 10\text{ V}$	$h_{FE}$	35 50 75 50 100 40	- - - - - -	- - - - 300 -	-
Collector-emitter saturation voltage <sup>1)</sup> $I_C = 150\text{ mA}, I_B = 15\text{ mA}$ $I_C = 500\text{ mA}, I_B = 50\text{ mA}$	$V_{CEsat}$	- -	- -	0.3 1	V
Base emitter saturation voltage <sup>1)</sup> $I_C = 150\text{ mA}, I_B = 15\text{ mA}$ $I_C = 500\text{ mA}, I_B = 50\text{ mA}$	$V_{BEsat}$	0.6 -	- -	1.2 2	

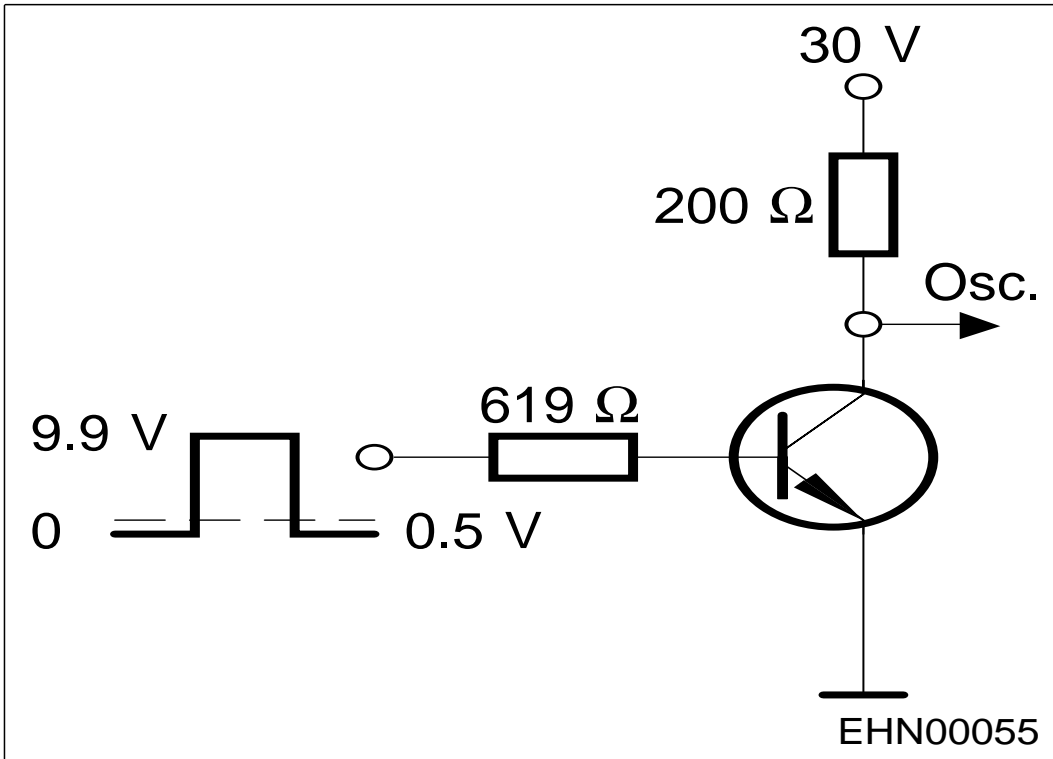
<sup>1)</sup>Pulse test:  $t < 300\mu\text{s}; D < 2\%$

**Electrical Characteristics at  $T_A = 25^\circ\text{C}$ , unless otherwise specified**

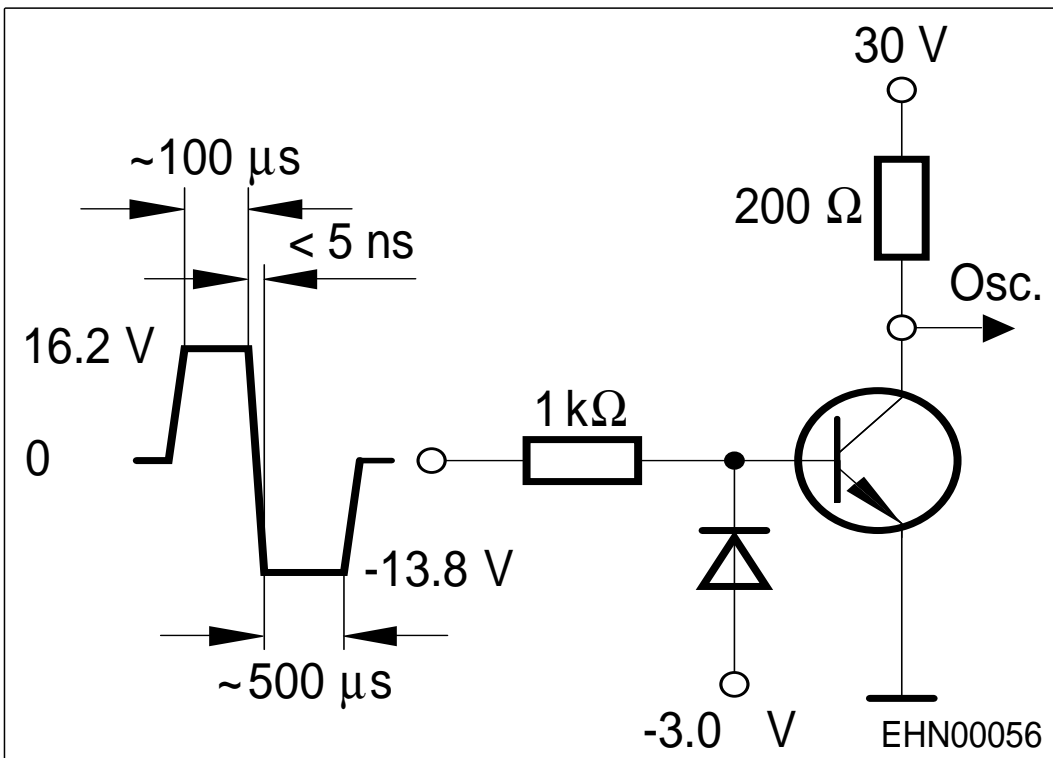
Parameter	Symbol	Values			Unit
		min.	typ.	max.	
<b>AC Characteristics</b>					
Transition frequency $I_C = 20\text{ mA}$ , $V_{CE} = 20\text{ V}$ , $f = 100\text{ MHz}$	$f_T$	300	-	-	MHz
Collector-base capacitance $V_{CB} = 10\text{ V}$ , $f = 1\text{ MHz}$	$C_{cb}$	-	2.5	5	pF
Emitter-base capacitance $V_{EB} = 0.5\text{ V}$ , $f = 1\text{ MHz}$	$C_{eb}$	-	-	35	
Short-circuit input impedance $I_C = 1\text{ mA}$ , $V_{CE} = 10\text{ V}$ , $f = 1\text{ kHz}$ $I_C = 10\text{ mA}$ , $V_{CE} = 10\text{ V}$ , $f = 1\text{ kHz}$	$h_{11e}$	2 0.25	- -	8 1.25	$k\Omega$
Open-circuit reverse voltage transf. ratio $I_C = 1\text{ mA}$ , $V_{CE} = 10\text{ V}$ , $f = 1\text{ kHz}$ $I_C = 10\text{ mA}$ , $V_{CE} = 10\text{ V}$ , $f = 1\text{ kHz}$	$h_{12e}$	- -	- -	8 4	$10^{-4}$
Short-circuit forward current transf. ratio $I_C = 1\text{ mA}$ , $V_{CE} = 10\text{ V}$ , $f = 1\text{ kHz}$ $I_C = 10\text{ mA}$ , $V_{CE} = 10\text{ V}$ , $f = 1\text{ kHz}$	$h_{21e}$	50 75	- -	300 375	-
Open-circuit output admittance $I_C = 1\text{ mA}$ , $V_{CE} = 10\text{ V}$ , $f = 1\text{ kHz}$ $I_C = 10\text{ mA}$ , $V_{CE} = 10\text{ V}$ , $f = 1\text{ kHz}$	$h_{22e}$	5 25	- -	35 200	$\mu\text{S}$
Delay time $V_{CC} = 30\text{ V}$ , $I_C = 150\text{ mA}$ , $I_{B1} = 15\text{ mA}$ , $V_{BE(\text{off})} = 0.5\text{ V}$	$t_d$	-	-	10	ns
Rise time $V_{CC} = 30\text{ V}$ , $I_C = 150\text{ mA}$ , $I_{B1} = 15\text{ mA}$ , $V_{BE(\text{off})} = 0.5\text{ V}$	$t_r$	-	-	25	
Storage time $V_{CC} = 30\text{ V}$ , $I_C = 150\text{ mA}$ , $I_{B1} = I_{B2} = 15\text{ mA}$	$t_{stg}$	-	-	225	
Fall time $V_{CC} = 30\text{ V}$ , $I_C = 150\text{ mA}$ , $I_{B1} = I_{B2} = 15\text{ mA}$	$t_f$	-	-	60	
Noise figure $I_C = 100\text{ }\mu\text{A}$ , $V_{CE} = 10\text{ V}$ , $f = 1\text{ kHz}$ , $\Delta f = 200\text{ Hz}$ , $R_S = 1\text{ k}\Omega$	$F$	-	-	4	dB

Test circuit

Delay and rise time



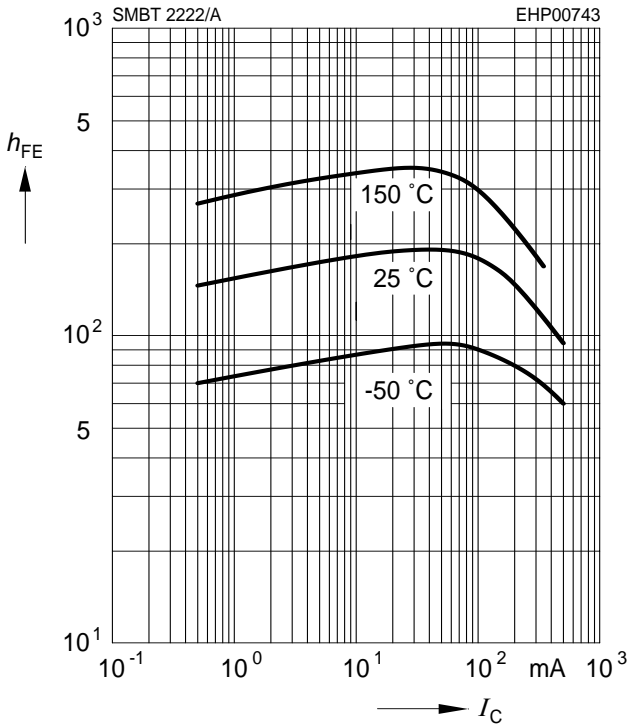
Storage and fall time



Oscillograph:  $R > 100\Omega$ ,  $C < 12\text{pF}$ ,  $t_r < 5\text{ns}$

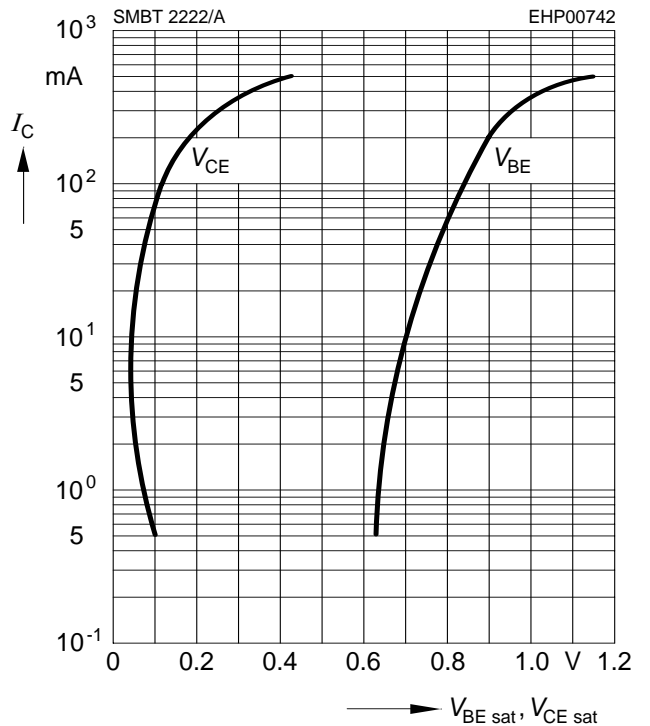
**DC current gain  $h_{FE} = f(I_C)$**

$V_{CE} = 10\text{ V}$



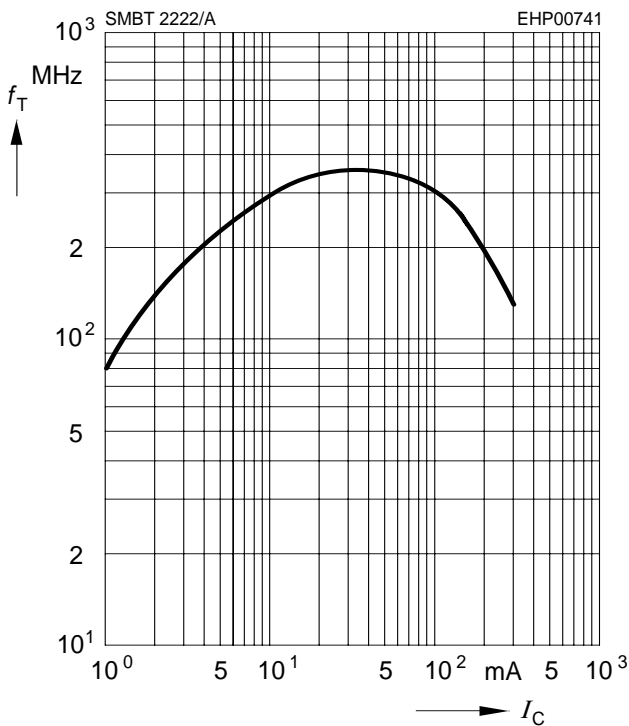
**Saturation voltage  $I_C = f(V_{BEsat}; V_{CEsat})$**

$h_{FE} = 10$



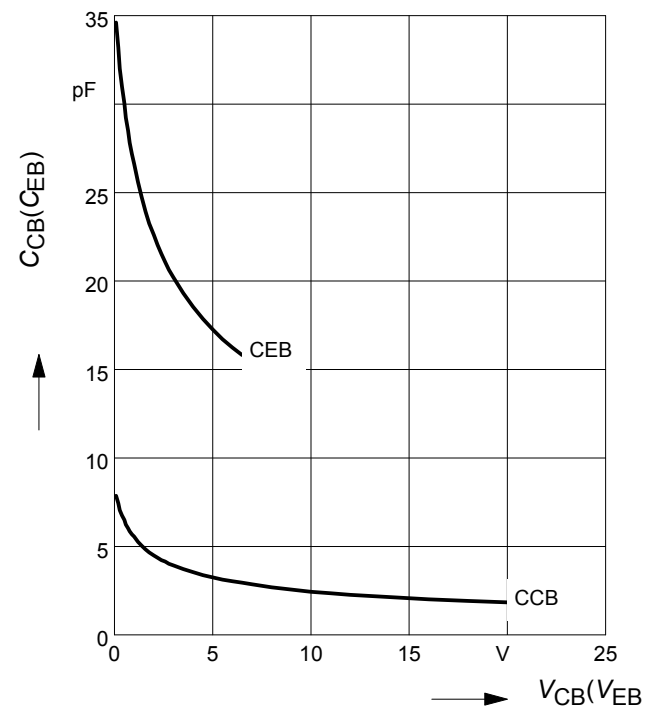
**Transition frequency  $f_T = f(I_C)$**

$V_{CE} = 20\text{ V}$

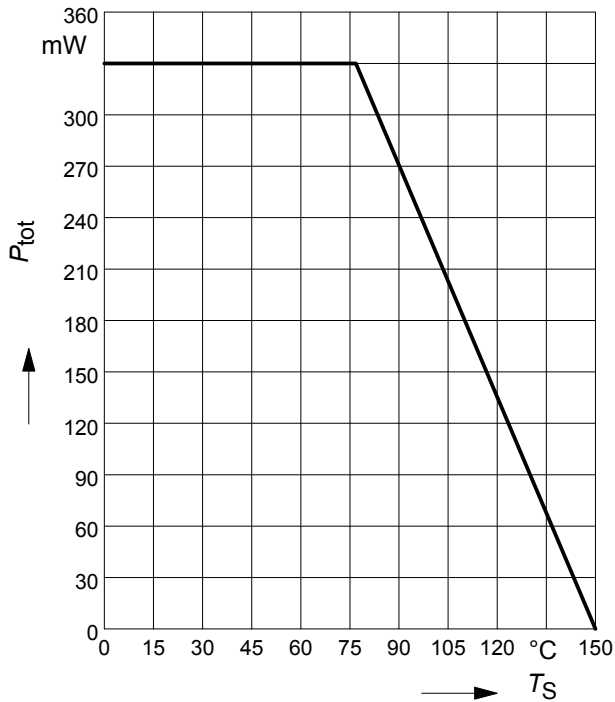


**Collector-base capacitance  $C_{cb} = f(V_{CB})$**

**Emitter-base capacitance  $C_{eb} = f(V_{EB})$**

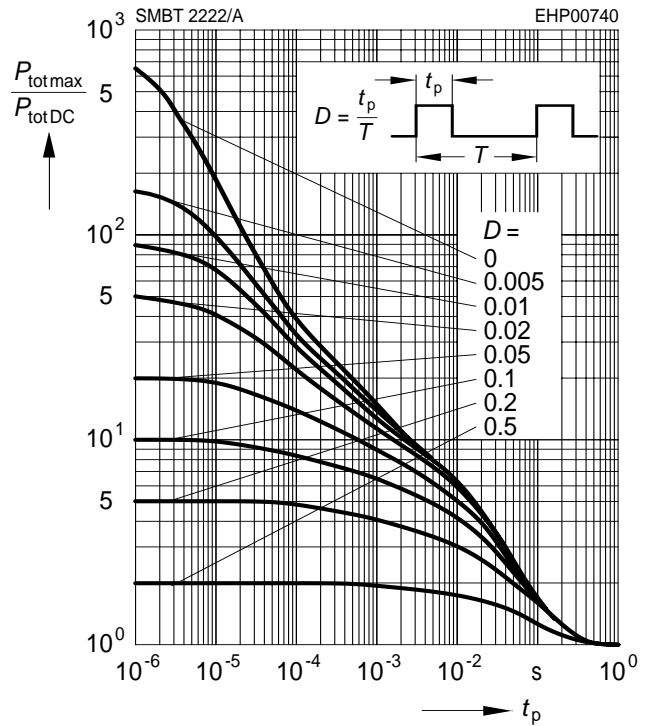


**Total power dissipation  $P_{tot} = f(T_S)$**



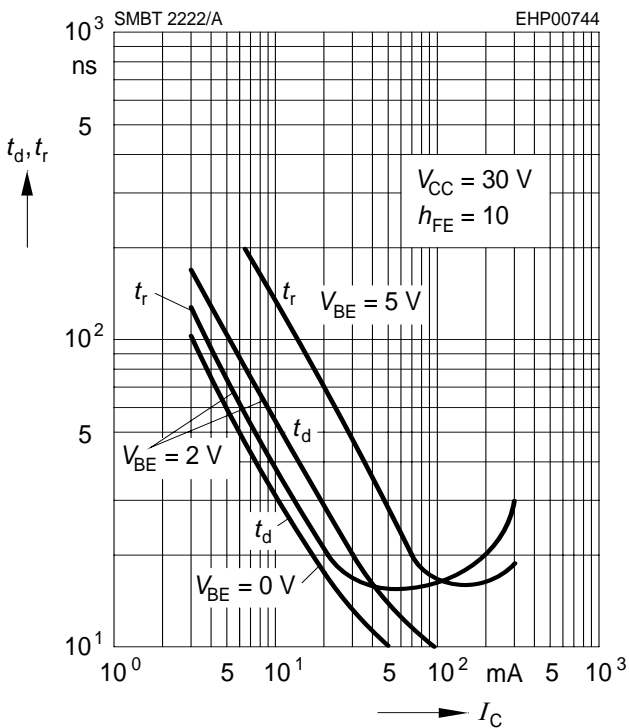
**Permissible Pulse Load**

$P_{totmax}/P_{totDC} = f(t_p)$



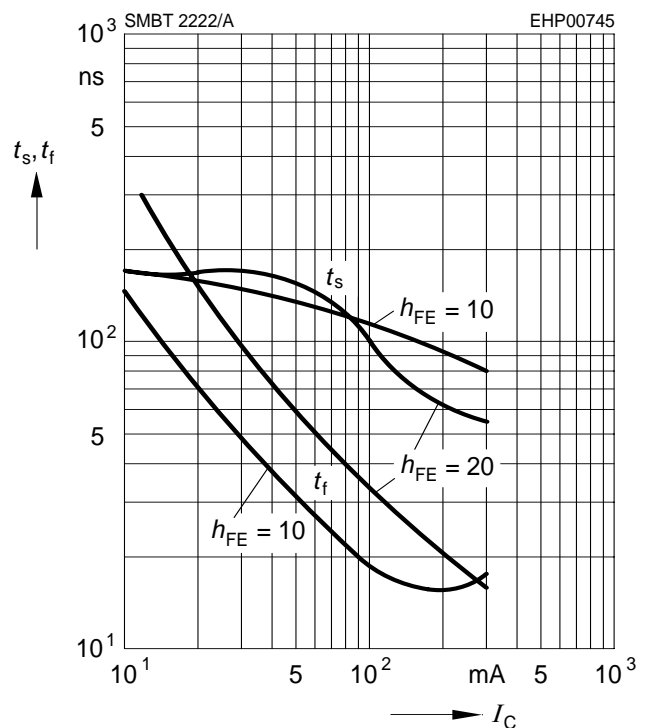
**Delay time  $t_d = f(I_C)$**

**Rise time  $t_r = f(I_C)$**

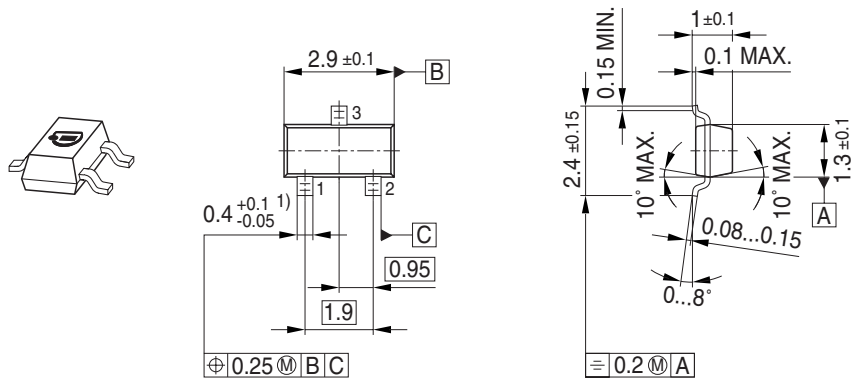


**Storage time  $t_{stg} = f(I_C)$**

**Fall time  $t_f = f(I_C)$**

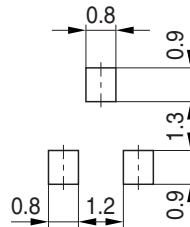


Package Outline

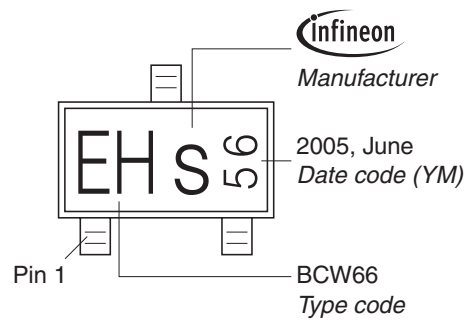


1) Lead width can be 0.6 max. in dambar area

Foot Print

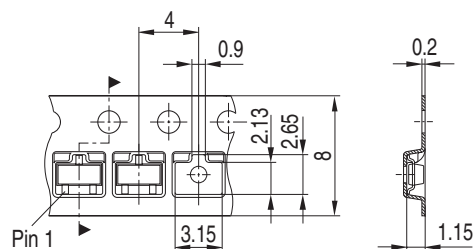


Marking Layout (Example)



Standard Packing

Reel  $\varnothing$ 180 mm = 3.000 Pieces/Reel  
 Reel  $\varnothing$ 330 mm = 10.000 Pieces/Reel



**Edition 2009-11-16**

**Published by  
Infineon Technologies AG  
81726 Munich, Germany**

**© 2009 Infineon Technologies AG  
All Rights Reserved.**

### **Legal Disclaimer**

The information given in this document shall in no event be regarded as a guarantee of conditions or characteristics. With respect to any examples or hints given herein, any typical values stated herein and/or any information regarding the application of the device, Infineon Technologies hereby disclaims any and all warranties and liabilities of any kind, including without limitation, warranties of non-infringement of intellectual property rights of any third party.

### **Information**

For further information on technology, delivery terms and conditions and prices, please contact the nearest Infineon Technologies Office ([<www.infineon.com>](http://www.infineon.com)).

### **Warnings**

Due to technical requirements, components may contain dangerous substances. For information on the types in question, please contact the nearest Infineon Technologies Office.

Infineon Technologies components may be used in life-support devices or systems only with the express written approval of Infineon Technologies, if a failure of such components can reasonably be expected to cause the failure of that life-support device or system or to affect the safety or effectiveness of that device or system. Life support devices or systems are intended to be implanted in the human body or to support and/or maintain and sustain and/or protect human life. If they fail, it is reasonable to assume that the health of the user or other persons may be endangered.



# Mouser Electronics

Authorized Distributor

Click to View Pricing, Inventory, Delivery & Lifecycle Information:

[Infineon:](#)

[SMBT 2222A E6327](#) [MMBT 2222A LT1](#) [MMBT2222ALT1HTSA1](#) [MMBT2222ALT1XT](#) [SP000011176](#)