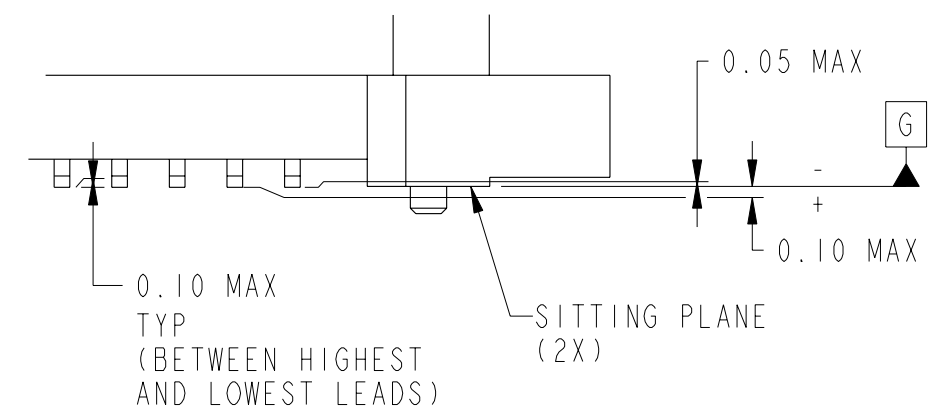
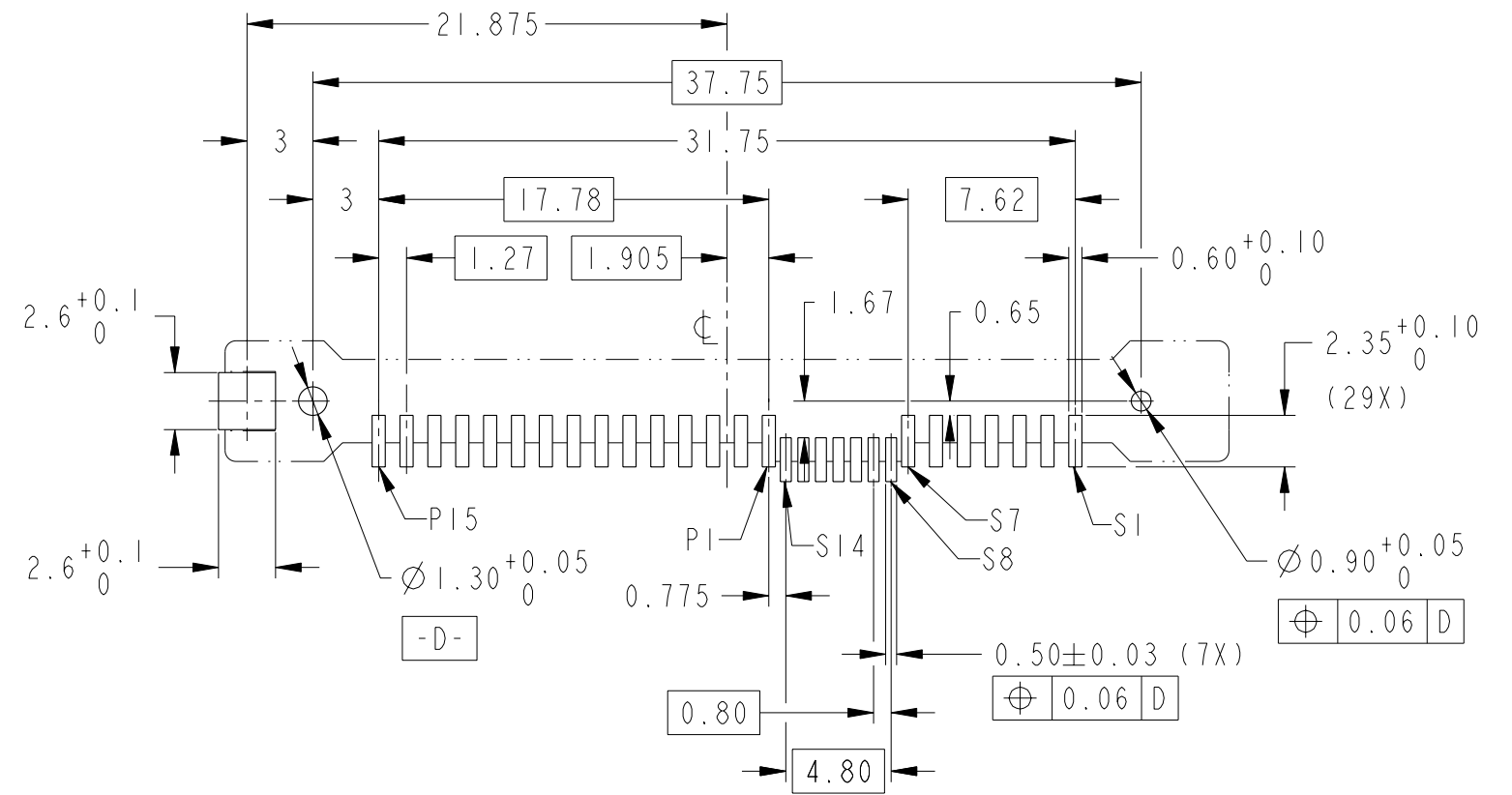


PRODUCT NO
SEE TABLE

RECOMMENDED PCB LAYOUT



DETAIL 2
SCALE 6:1

NOTES:

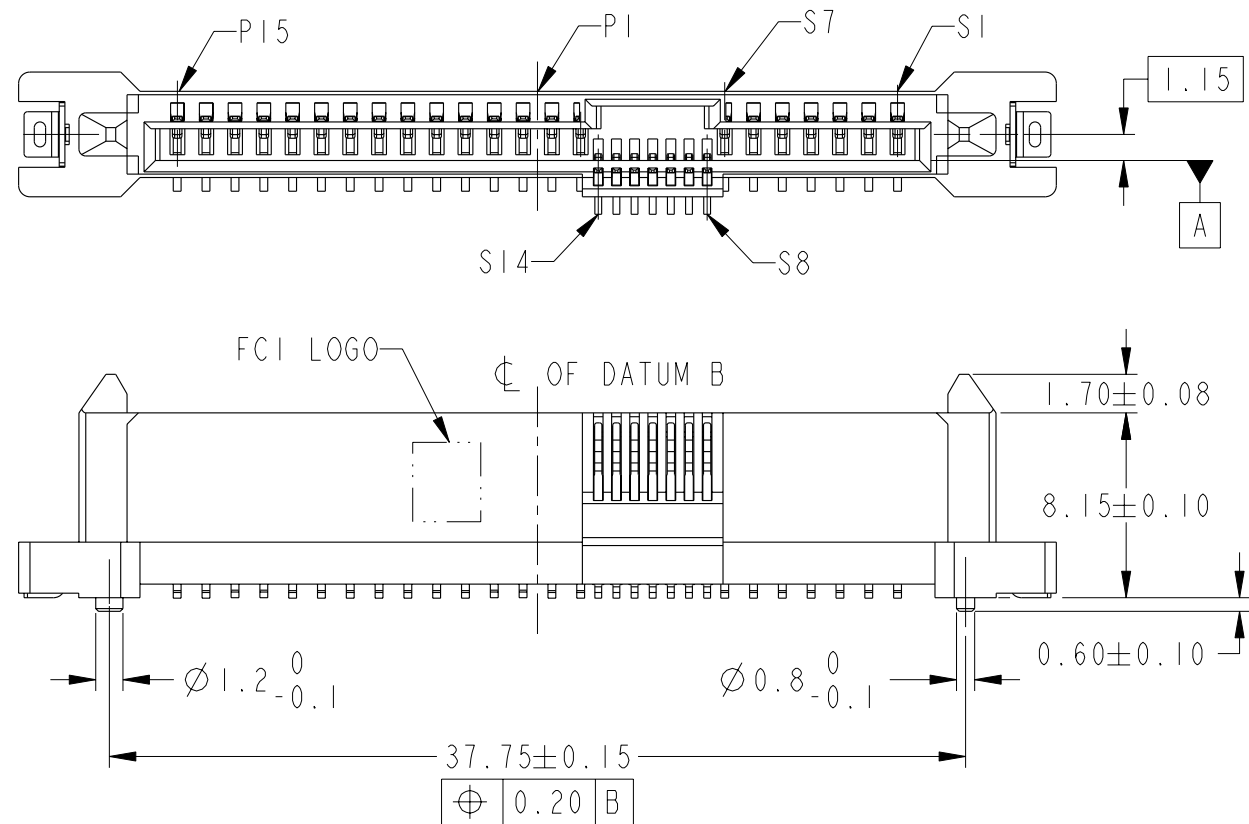
1. MATERIAL :
1) HOUSING : HIGH TEMP THERMOPLASTIC,
UL 94V-0, BLACK COLOR
2) TERMINAL : COPPER ALLOY
3) HOLD DOWN : COPPER ALLOY
2. FINISH :
1) TERMINAL : 30μ" Au PLATING (CONTACT POINT)
OVER 50μ" NICKEL
2) SOLDER TAIL : 100μ" MIN Sn OVER 50μ" NICKEL
3) HOLD DOWN : 100μ" MIN Sn OVER 50μ" NICKEL
- ③ PER SFF REV 1.1
- ④ PART WITH PICK-UP CAP, P/N XXXXXXXX-XXXX LF.
- ⑤ THE STD PACKAGING IS IN TRAY
- ⑥ FOR TAPE & REEL PACKAGING, SUFFIX "-TR" ADDED,
P/N XXXXXXXX-XXXX-TR LF
7. THE HOUSING WILL WITHSTAND EXPOSURE TO 260°C PEAK
TEMPERATURE FOR 10 SECONDS IN A CONVECTION, INFRA-RED OR
VAPOR PHASE REFLOW OVEN.
- ⑧ THIS PRODUCT MEETS EUROPEAN UNION DIRECTIVES AND OTHER
COUNTRY REGULATIONS AS DESCRIBED IN GS-22-008.
- ⑨ PART NUMBERS ENDING IN "LF" MEANS FOR NOTE 8 LEAD .
FREE IDENTIFICATION.
10. A $\triangle C$ SYMBOL WILL BE NEXT TO ANY DIMENSION, VIEW, OR NOTE
WHICH HAS BEEN MODIFIED WITH THE CURRENT DRAWING REVISION.

spec ref	-	dr	GL LOO	2007-03-06	projection	MM	size	A3	scale	3:1		
tolerance std	ISO 406 ISO 1101	eng	GL LOO	2007-03-06			ecn no	S10-0228				
TOLERANCES UNLESS OTHERWISE SPECIFIED		chr	GL LOO	2010-10-28			product family	SAS	rel level	-		
surface	ISO 1302	appr	JOEY NG	2010-10-28			dwg no	10077259		rev	C	
	linear	0.X	±-		SAS RECEPTACLE VERTICAL SMT TYPE ASSY		cat. no.		-		Product - Customer Drw	sheet 2 of 3
		0.XX	±0.20									
	angular	0°	±2°									



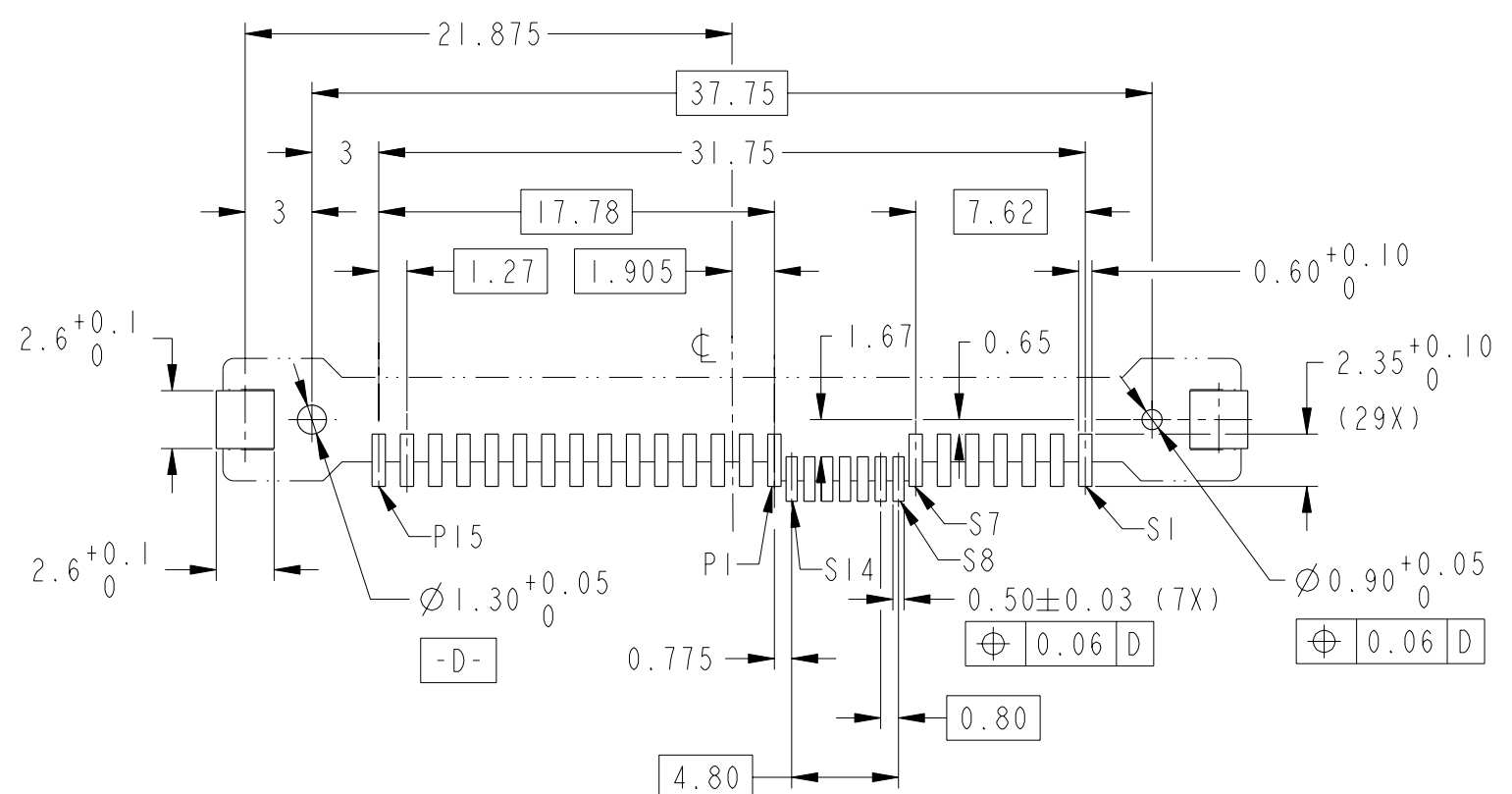
Copyright FCI.

PRODUCT NO	METAL CLIP	REMARKS
10077259-002LF	2 PCS	NOTES ⑧ & ⑨
10077259-002CLF		NOTES ④, ⑧ & ⑨
10077259-002C-TRLF		NOTE ④, ⑥, ⑧ & ⑨

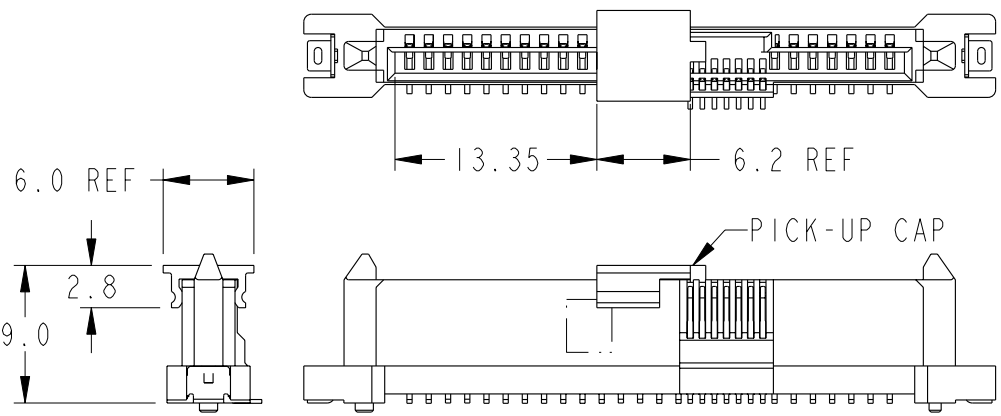


NOTES:
ALL OTHER DIMENSIONS, REFER TO SHEET 1.

RECOMMENDED PCB LAYOUT



Copyright FCI.



PART WITH PICK-UP CAP, SEE NOTE ④
SCALE 2:1

spec ref	-	dr	GL LOO	2007-03-06	projection	MM	size	A3	scale	3:1
tolerance std	ISO 406 ISO 1101	eng	GL LOO	2007-03-06			ecn no	S10-0228	rel level	-
TOLERANCES UNLESS OTHERWISE SPECIFIED		chr	GL LOO	2010-10-28						
surface	✓	appr	JOEY NG	2010-10-28	SAS RECEPTACLE VERTICAL SMT TYPE ASSY		dwg no	10077259	rev	C
ISO 1302	linear 0.X ± 0.XX ±0.20 0.XXX ±	angular	0° ±2°	www.fci.com	cat. no.	-	Product - Customer Drw	sheet 3 of 3		