

4

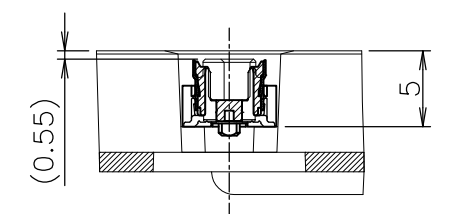
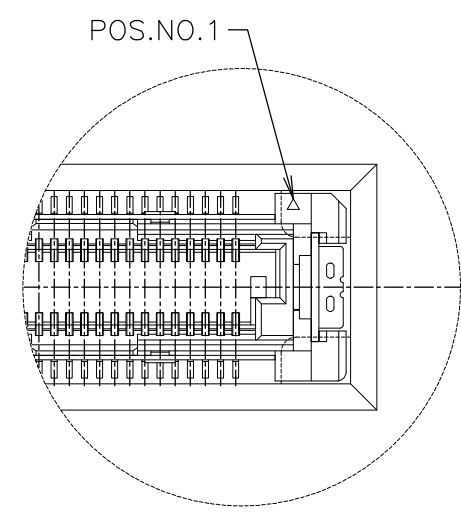
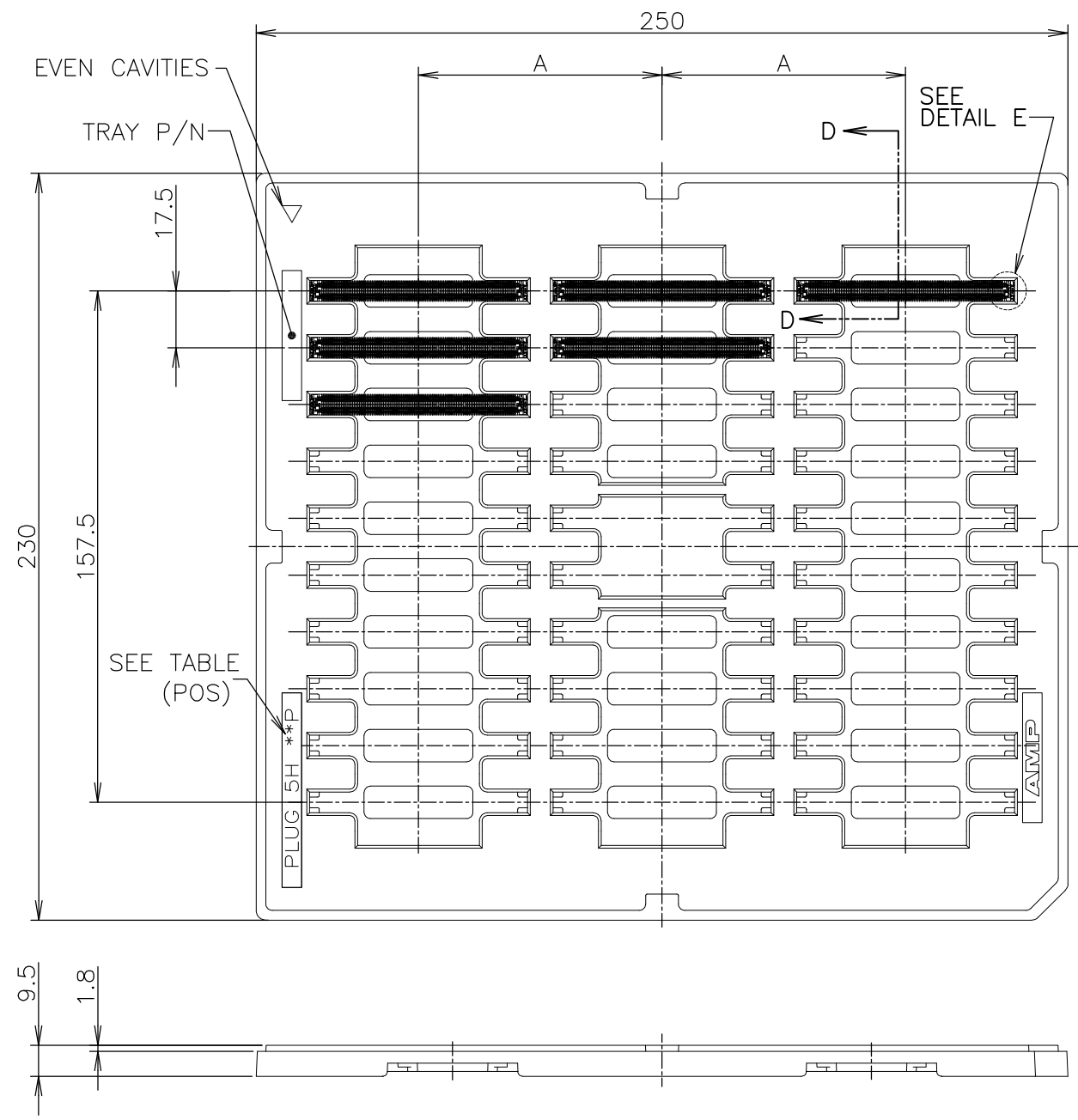
3

2

1

THIS DRAWING IS UNPUBLISHED. RELEASED FOR PUBLICATION .2005.  
 © COPYRIGHT 2005 By - ALL RIGHTS RESERVED.

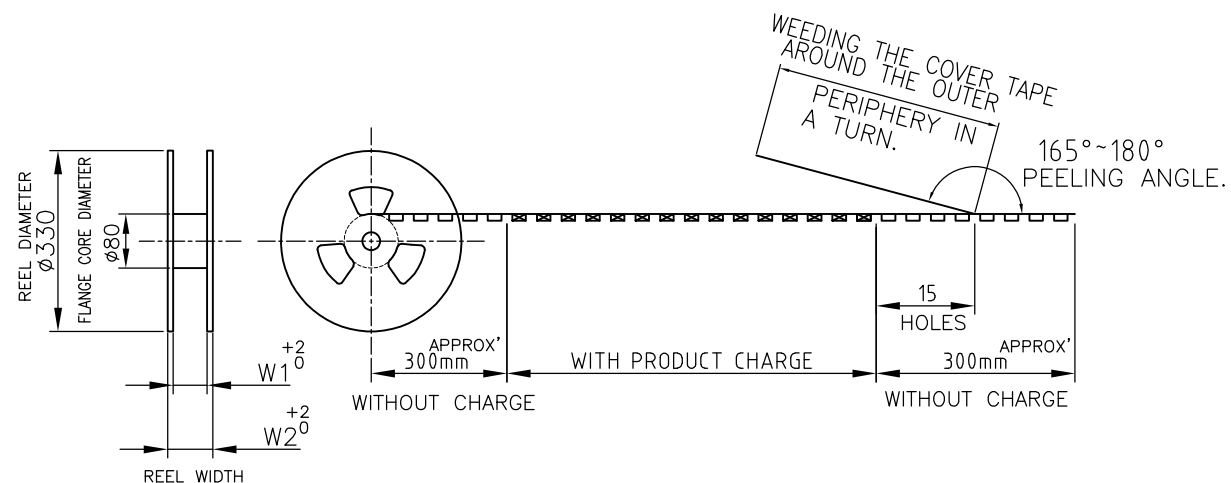
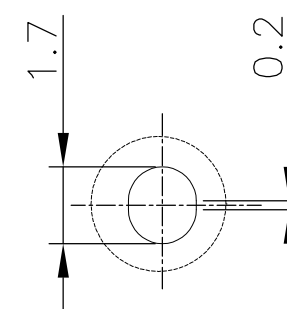
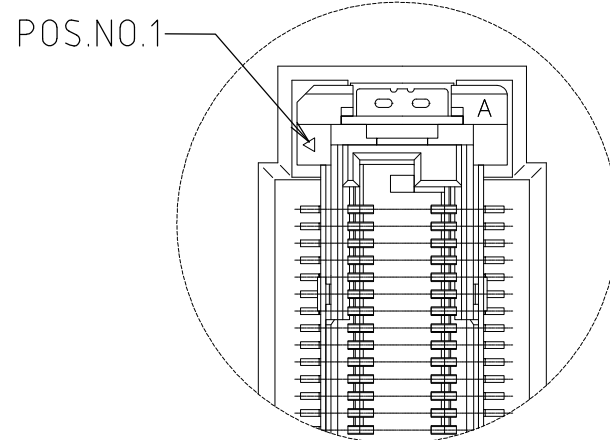
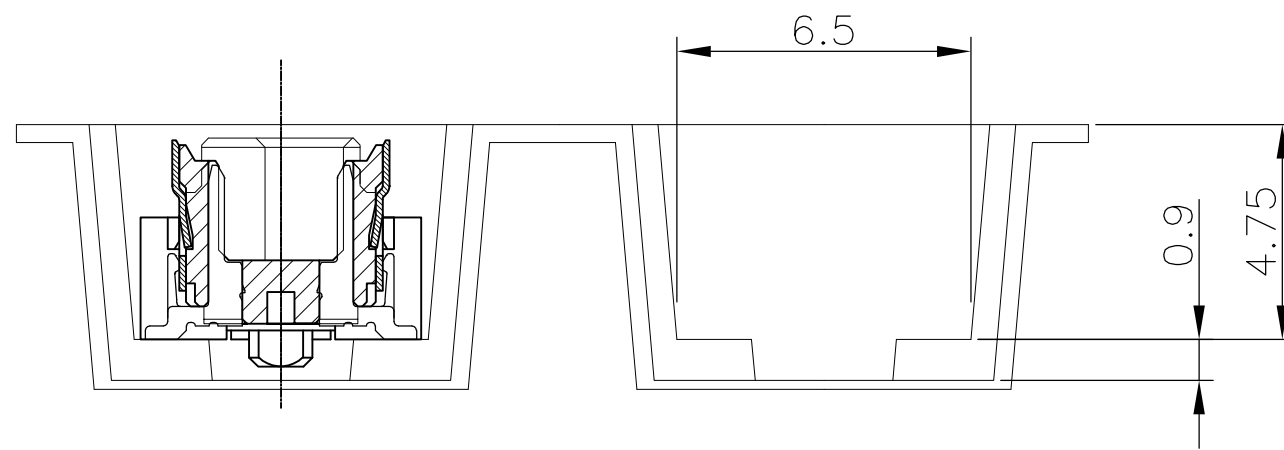
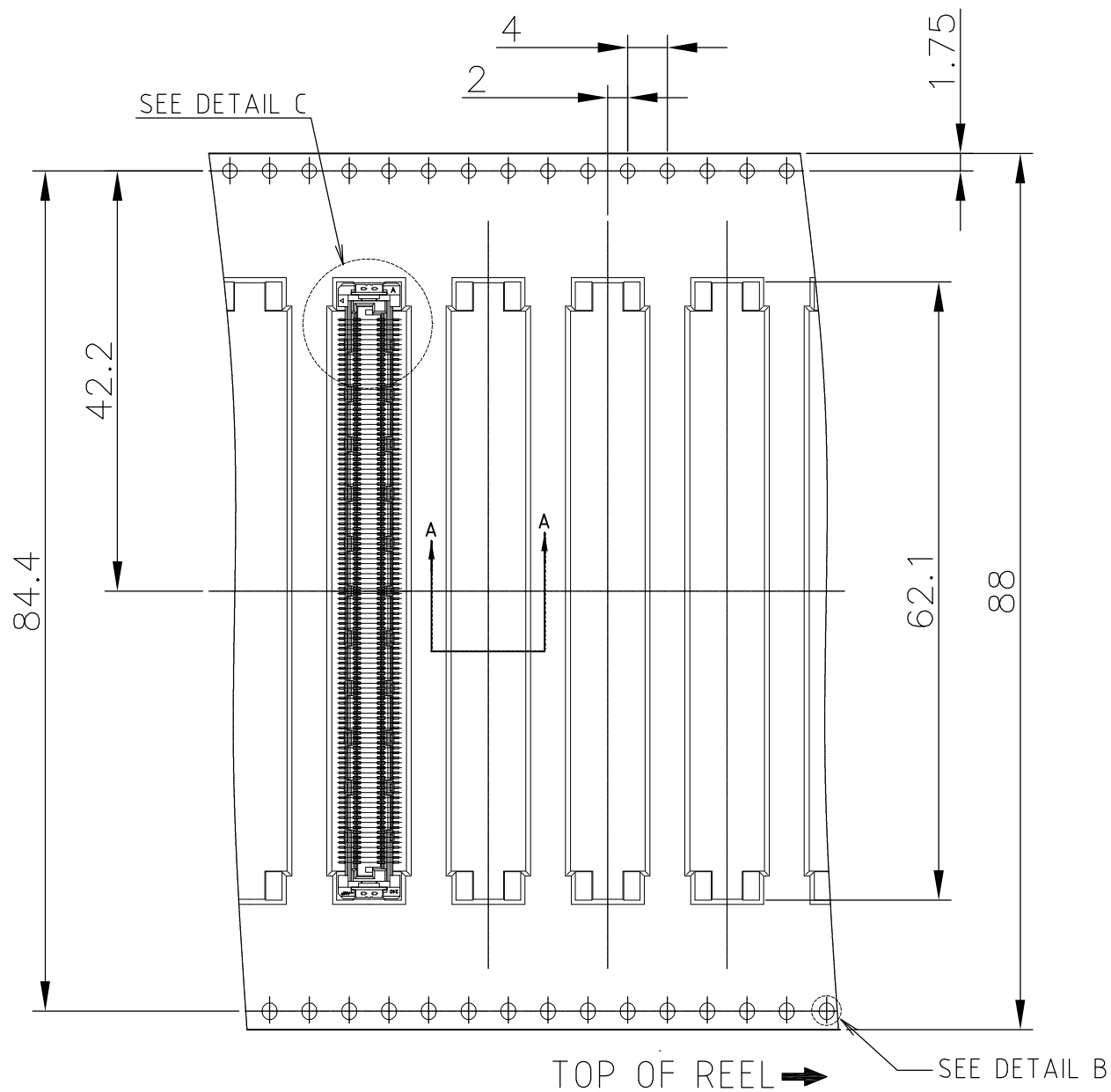
REVISIONS					
P	LTR	DESCRIPTION	DATE	DWN	APVD
	C	REVISED PER ECO-12-013585	31JUL2016	B.J	S.Y
	C1	REVISED PER ECO-16-003338	07MAR2016	B.J	S.Y
	C2	REVISED PER ECO-17-009466	07JUL2017	B.J	S.Y



**WITHOUT  
CAP**

THIS DRAWING IS A CONTROLLED DOCUMENT.		DWN S.CHIEN 18MAY05	TE Connectivity			
DIMENSIONS: MM		CHK T.FUTATSUGI 18MAY05				
TOLERANCES UNLESS OTHERWISE SPECIFIED:		APVD W.KODAMA 18MAY05	NAME			
0 PLC ± 0.3 1 PLC ± 0.3 2 PLC ± 0.3 3 PLC ± 0.3 4 PLC ± 0.3 ANGLES ± 3°		PRODUCT SPEC 108-5560	HARD TRAY PACKAGING FH 0.5 BTB CONNECTOR 220POS PLUG 5H WITH GROUND PLATE			
MATERIAL		APPLICATION SPEC	SIZE	CAGE CODE	DRAWING NO	RESTRICTED TO
FINISH		WEIGHT	A3	00779	C-1827253	-
CUSTOMER DRAWING			SCALE	SHEET	REV	
			1:2	1 OF 5	C2	

P	LTR	DESCRIPTION	DATE	DWN	APVD
-	-	SEE SHEET 1	-	-	-

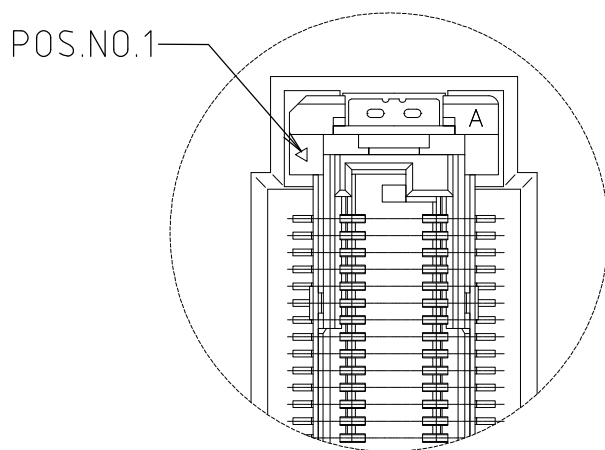
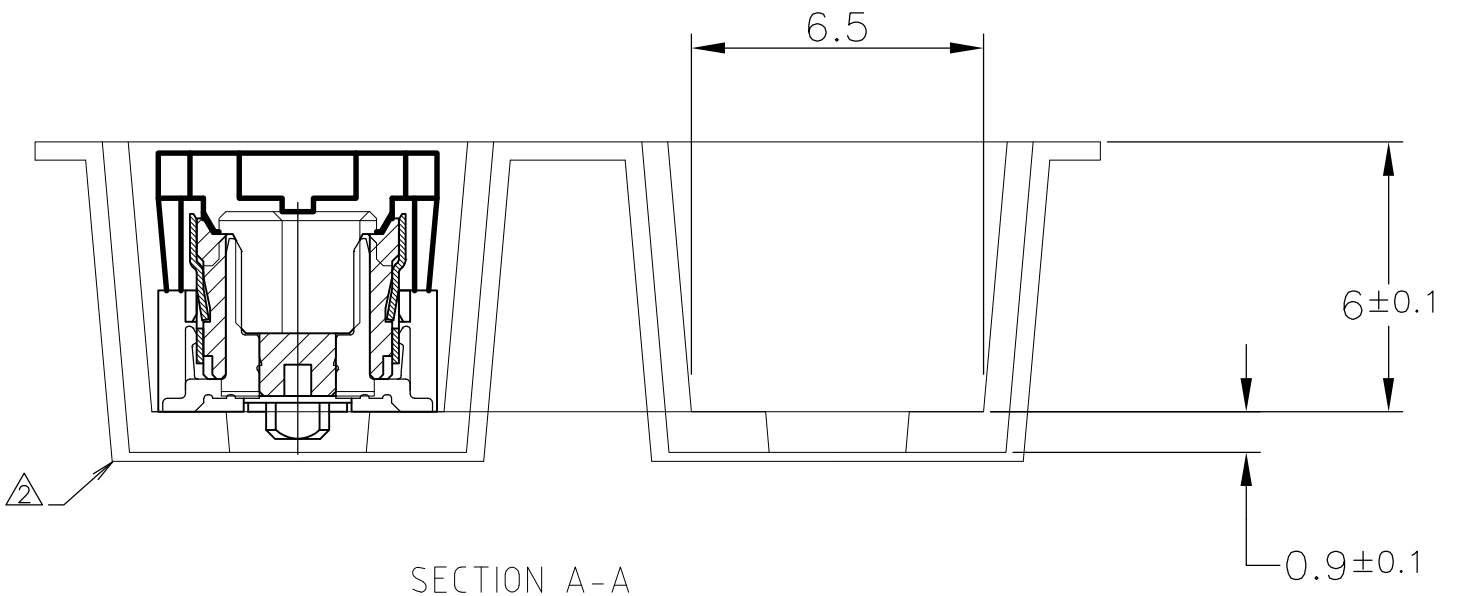
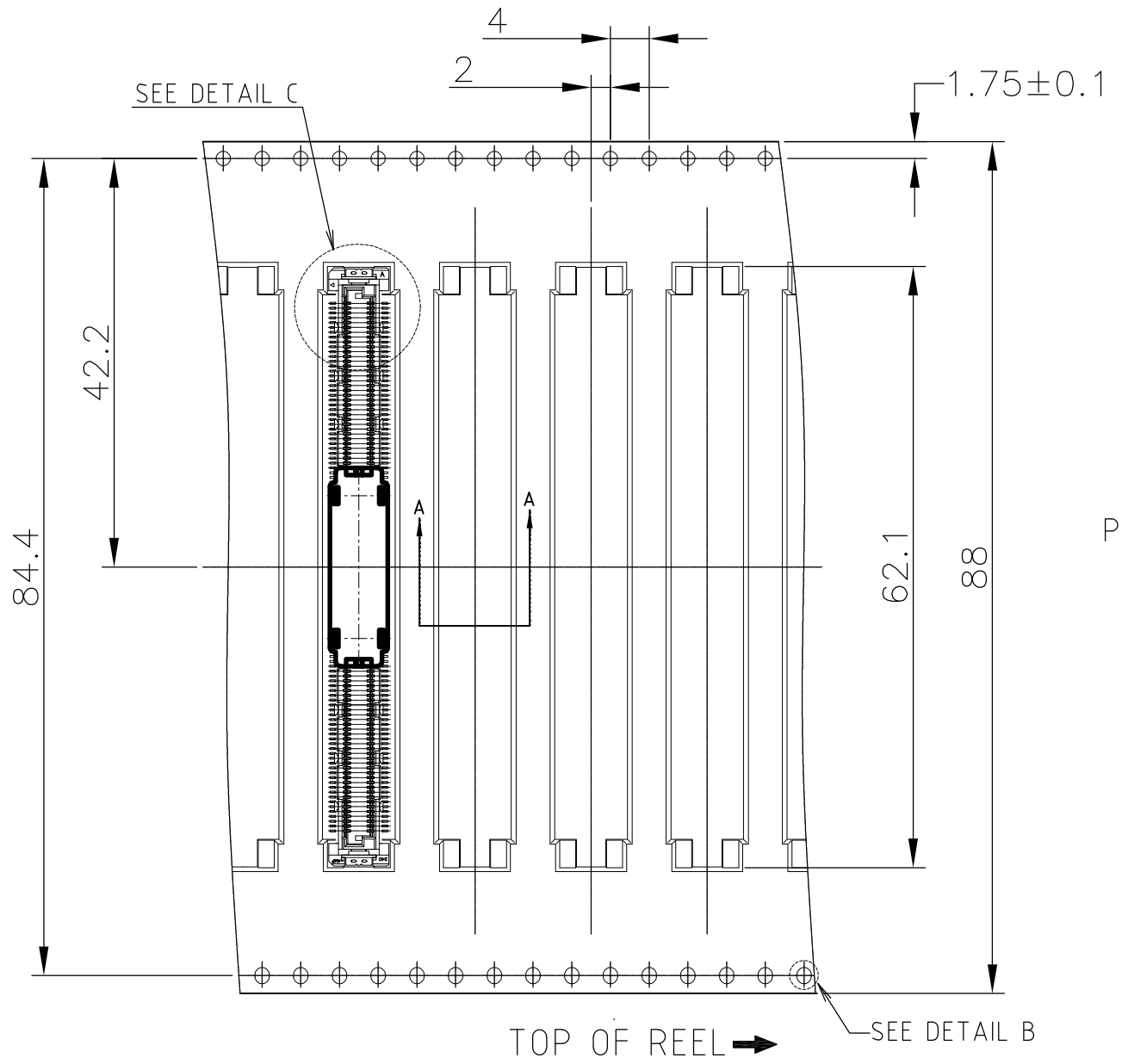


**WITHOUT CAP**

C1	△	NO	93.5	89.5	800	220	9-1827253-7
	△	NO	93.5	89.5	800	220	4-1827253-6
FINISH	SEALANT SIF-200B	W2	W1	QTY/ REEL	POS	TAPING P/N	

THIS DRAWING IS A CONTROLLED DOCUMENT.		DWN S.CHIENT 18MAY05	 TE Connectivity			
DIMENSIONS: MM		CHK T.FUTATSUGI 18MAY05				
TOLERANCES UNLESS OTHERWISE SPECIFIED:		APVD W.KODAMA 18MAY05	NAME			
0 PLC ± 0.3		PRODUCT SPEC	ON TAPING EMBOSS			
1 PLC ± 0.3		APPLICATION SPEC	FH 0.5 BTB CONNECTOR 220POS			
2 PLC ± 0.3		WEIGHT	SIZE	CAGE CODE	DRAWING NO	RESTRICTED TO
3 PLC ± 0.3		CUSTOMER DRAWING	A3	00779	C-1827253	
4 PLC ± 0.3		SCALE	1:2		SHEET	2 of 5
ANGLES ± 3'		FINISH	REV		C2	

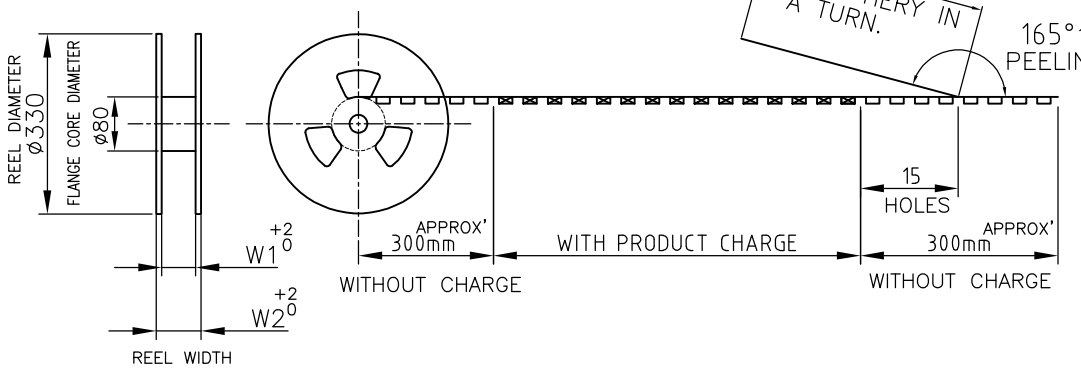
REVISIONS					
P	LTR	DESCRIPTION	DATE	DWN	APVD
-	-	SEE SHEET 1	-	-	-



**WITH CAP**

△	BLACK	NO	93.5	89.5	700	220	9-1827253-9
△	NATURE	NO	93.5	89.5	700	220	9-1827253-8
△	NATURE	NO	93.5	89.5	700	220	4-1827253-8
FINISH	CAP	SEALANT	W2	W1	QTY/ REEL	POS	TAPING P/N
	COLOR	SIF-200B					

WEEDING THE COVER TAPE  
AROUND THE OUTER  
PERIPHERY IN  
A TURN.  
165°~180°  
PEELING ANGLE.



THIS DRAWING IS A CONTROLLED DOCUMENT.

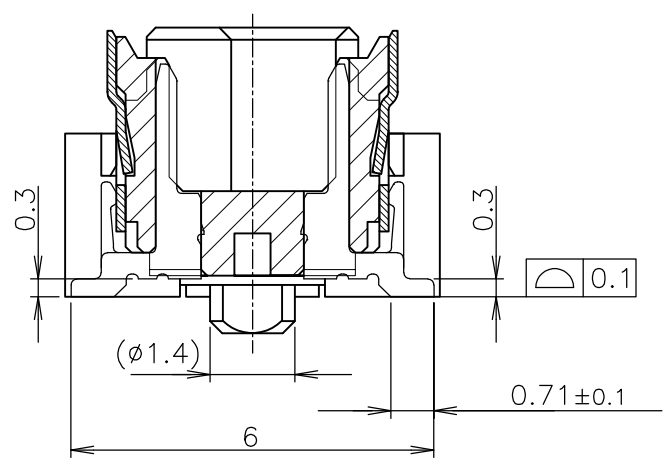
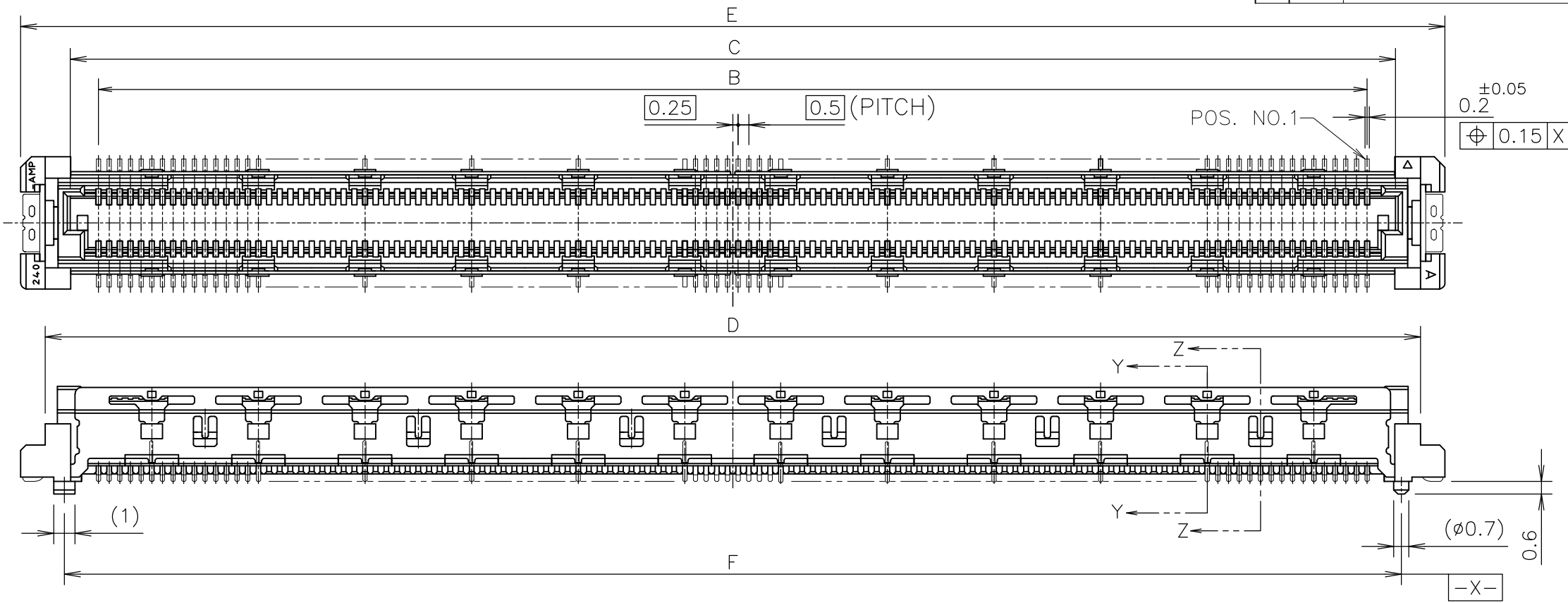
DIMENSIONS: MM	TOLERANCES UNLESS OTHERWISE SPECIFIED:
0 PLC	± 0.3
1 PLC	± 0.3
2 PLC	± 0.3
3 PLC	± 0.3
4 PLC	± 0.3
ANGLES	± 3'
MATERIAL	FINISH

DWN	S.CHIEN	18MAY05
CHK	T.FUTATSUGI	18MAY05
APVD	W.KODAMA	18MAY05
PRODUCT SPEC	-	
APPLICATION SPEC	-	
WEIGHT	-	
CUSTOMER DRAWING		

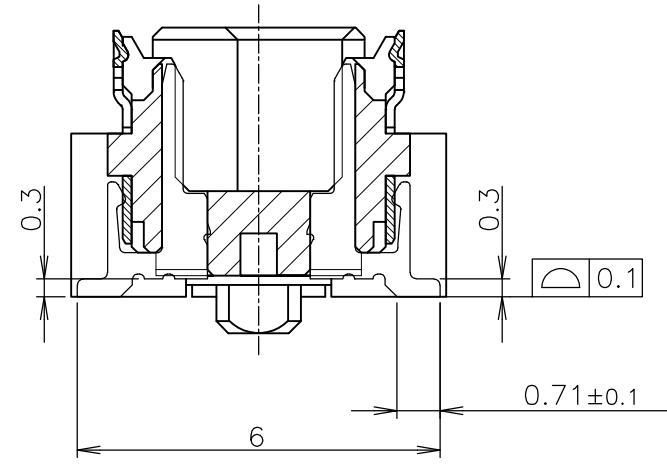
<b>STE</b> TE Connectivity			
ON TAPING EMBOSS FH 0.5 BTB CONNECTOR 220POS PLUG 5H WITH GROUND PLATE			
SIZE	CAGE CODE	DRAWING NO	RESTRICTED TO
A3	00779	C-1827253	-
SCALE 1:2		SHEET 3 of 5	REV C2

THIS DRAWING IS UNPUBLISHED. RELEASED FOR PUBLICATION ,2002.  
 © COPYRIGHT 2002 By - ALL RIGHTS RESERVED.

P	LTR	DESCRIPTION	DATE	DWN	APVD
-	-	SEE SHEET 1	-	-	-



SECT. Z-Z  
(SIGNAL POSITION)  
(SCALE 8:1)



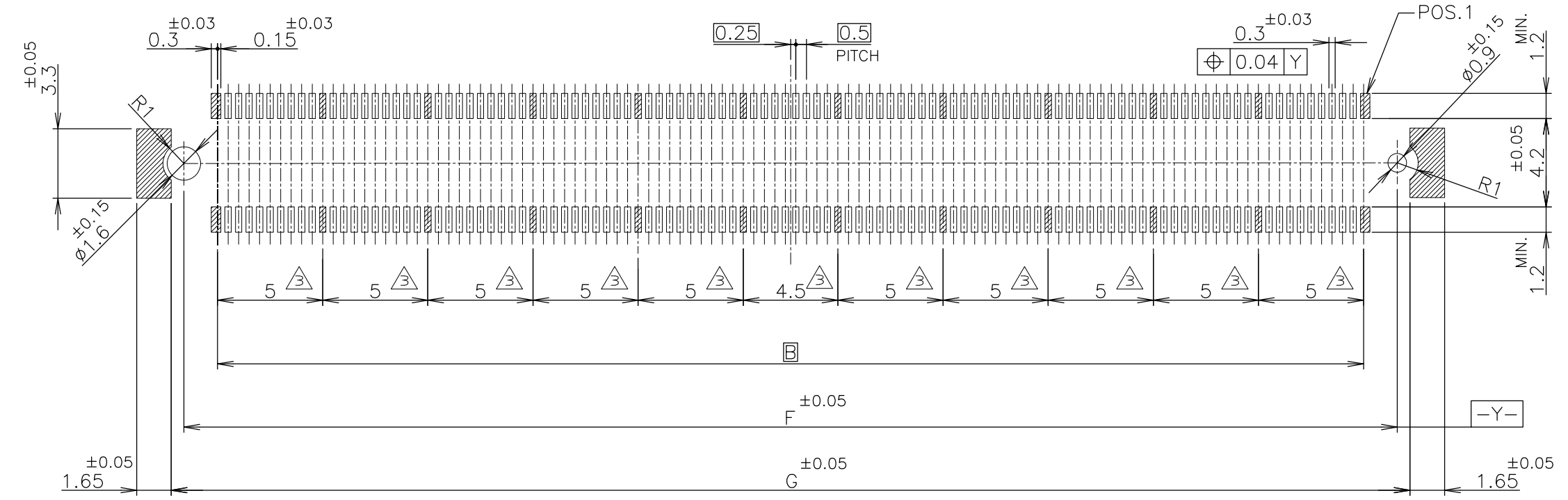
SECT. Y-Y  
(GROUND POSITION)  
(SCALE 8:1)

C2	57.7	61.8	59.5	57.1	54.5	BLACK	220	9-1827253-9
C2	57.7	61.8	59.5	57.1	54.5	BLACK	220	9-1827253-8
C1	57.7	61.8	59.5	57.1	54.5	BLACK	220	9-1827253-7
	57.7	61.8	59.5	57.1	54.5	BLACK	220	9-1827253-6
C2	57.7	61.8	59.5	57.1	54.5	BLACK	220	4-1827253-8
	57.7	61.8	59.5	57.1	54.5	BLACK	220	4-1827253-6
	57.7	61.8	59.5	57.1	54.5	BLACK	220	3-1827253-6
	F	E	D	C	B	CONN. COLOR	POS.	PART NO.

THIS DRAWING IS A CONTROLLED DOCUMENT.		DWN	<b>STE</b> TE Connectivity		
DIMENSIONS: MM		CHK			
TOLERANCES UNLESS OTHERWISE SPECIFIED:		APVD	NAME		
0 PLC ± 0.3		PRODUCT SPEC	ASSEMBLY		
1 PLC ± 0.3		APPLICATION SPEC	FH 0.5 BTB CONNECTOR 220POS		
2 PLC ± 0.3		WEIGHT	SIZE	CAGE CODE	DRAWING NO
3 PLC ± 0.3		CUSTOMER DRAWING	A3	00779	C-1827253
4 PLC ± 0.3			SCALE	SHEET	REV
ANGLES ± 3'			4:1	4 OF 5	C2
FINISH					
SEE NOTE 1					
SEE NOTE 2					

THIS DRAWING IS UNPUBLISHED. RELEASED FOR PUBLICATION ,2002.  
 © COPYRIGHT 2002 By - ALL RIGHTS RESERVED.

REVISIONS				
P	LTR	DESCRIPTION	DATE	APVD
-	-	SEE SHEET 1	-	-



REFERENCE P.C.BOARD LAYOUT OF CONNECTOR

NOTES

- △ MATERIAL ; HOUSING: HIGH TEMP THERMO PLASTIC UL94V-0  
CONTACT: COPPER ALLOY  
SOLDER PEG : COPPER ALLOY
- △ FINISH ; CONTACT : UNDER PL. Ni 0.0013mm MIN ALL OVER  
CONTACT AREA 0.0002mm MIN Au PL.  
SOLDERING AREA 0.00005mm MIN Au PL.  
SOLDER PEG: TIN PL. 0.0001mm MIN OVER  
UNDER PL. Ni OR COPPER 0.0013mm MIN ALL OVER
- △ THIS POSITION IS GROUND CIRCUIT.
- △ HIGH TEMPERATURE VERSION.
- △ FINISH ; CONTACT : UNDER PL. Ni 0.0013mm MIN ALL OVER  
CONTACT AREA 0.00076mm MIN Au PL.  
SOLDERING AREA 0.00005mm MIN Au PL.  
SOLDER PEG: TIN PL. 0.0001mm MIN OVER  
UNDER PL. Ni OR COPPER 0.0013mm MIN ALL OVER

C2	59.5	220	9-1827253-9
C2	59.5	220	9-1827253-8
C1	59.5	220	9-1827253-7
	59.5	220	9-1827253-6
C2	59.5	220	4-1827253-8
	59.5	220	4-1827253-6
	59.5	220	3-1827253-6
	G	POS.	PART NO.

THIS DRAWING IS A CONTROLLED DOCUMENT.		DWN		<b>STE</b> TE Connectivity	
DIMENSIONS: MM		CHK			
TOLERANCES UNLESS OTHERWISE SPECIFIED:		APVD		NAME	
0 PLC ± 0.3		PRODUCT SPEC		ASSEMBLY	
1 PLC ± 0.3		APPLICATION SPEC		FH 0.5 BTB CONNECTOR 220POS	
2 PLC ± 0.3		WEIGHT		PLUG 5H WITH GROUND PLATE	
3 PLC ± 0.3		CUSTOMER DRAWING		SIZE	RESTRICTED TO
4 PLC ± 0.3		SCALE 4:1		CAGE CODE	DRAWING NO
ANGLES ± 3°		SHEET 5 OF 5		A300779	C-1827253
FINISH		REV C2			

# Mouser Electronics

Authorized Distributor

Click to View Pricing, Inventory, Delivery & Lifecycle Information:

[TE Connectivity:](#)

[9-1827253-6](#)