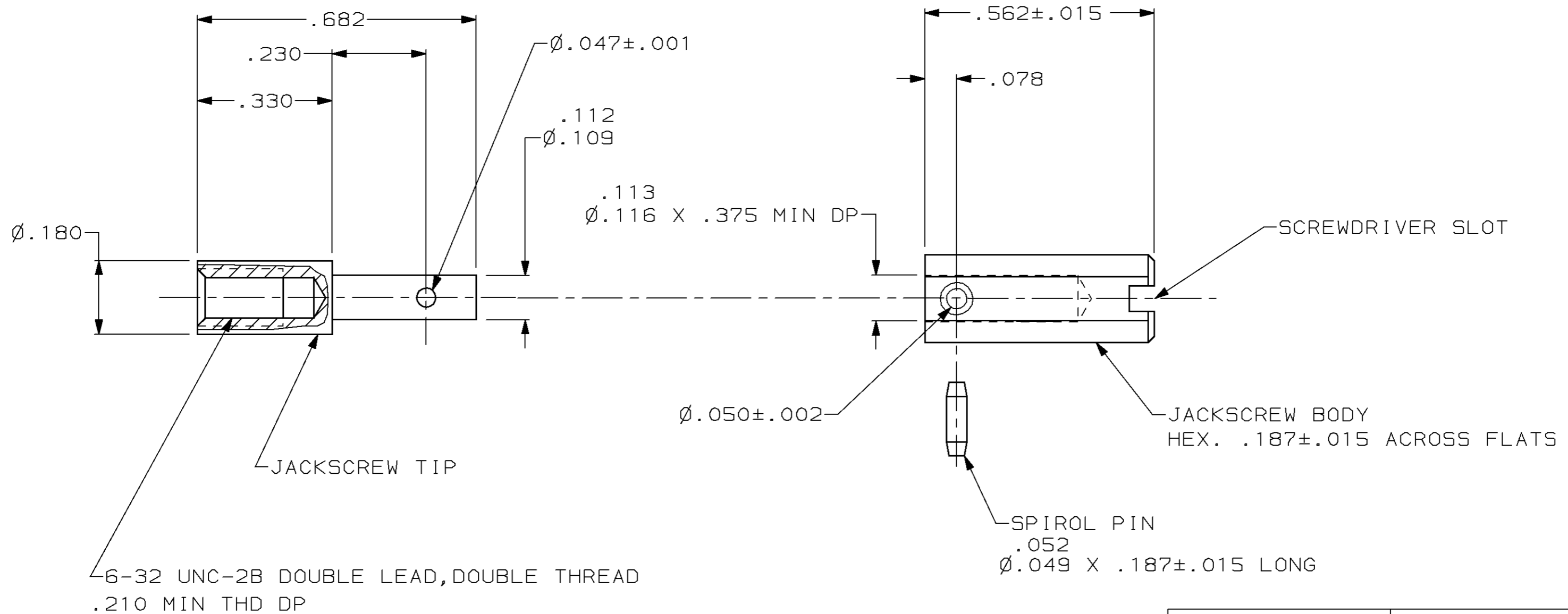


THIS DRAWING IS UNPUBLISHED. RELEASED FOR PUBLICATION, 19 .
 © COPYRIGHT 19 BY AMP INCORPORATED. ALL INTERNATIONAL RIGHTS RESERVED.

LOC	DIST	P	F	REVISIONS				
				ZONE	LTR	DESCRIPTION	DATE	APPD
AR	39				D	REDRAWN AR2318	2-89	-
					E	SUPSD -1 PER EC 0020-542-94	12/21/94	GM
					F	REV PER EC 0020-293-96	25 JUN 96	GDM



PASSIVATED	88616-2
SUPSD BY 88616-2	88616-1
FINISH	PART NO

DO NOT SCALE PRINT, UNLESS SPECIFIED. DIMENSIONS IN INCHES. TOLERANCES ON: 2 PLC DEC ± - 3 PLC DEC ± .005 ANGLES ± - MATERIAL: STAINLESS STEEL FINISH: SEE TABLE	DR 2-2-89 C. OBERMAN	AMP AMP INCORPORATED Harrisburg, Pa. 17105 NAME: JACKSCREW KIT, FEMALE, TURNABLE SIZE: B FSCM NO: 00779 DRAWING NO: 88616 SCALE: 4:1 SHEET: 1 OF 1
	CHK 2-15-89 G.D. MILLER	
	APPD 2-15-89 G.D. MILLER	
	APPD 2-15-89 W. PARKER	
	PRODUCT SPEC -	
	APPLICATION SPEC -	
	WEIGHT -	

Mouser Electronics

Authorized Distributor

Click to View Pricing, Inventory, Delivery & Lifecycle Information:

[TE Connectivity:](#)

[88616-2](#)